

[54] TABLE
 [76] Inventor: William F. Taber, 3520 Albans,
 Houston, Tex. 77005
 [**] Term: 14 Years
 [21] Appl. No.: 753,457
 [22] Filed: Dec. 22, 1976
 [51] Int. Cl. D6-03
 [52] U.S. Cl. D6/177
 [58] Field of Search D6/27, 147-149,
 D6/157, 156, 158, 176-180

D. 243,905 4/1977 Ware D6/177 X
 D. 245,135 7/1977 Saltz D6/177

OTHER PUBLICATIONS

Interiors, 5-1973, p. 42, table top center.
 "Furniture Making and Cabinet Work", ©1949, p. 213,
 table.
 House Beautiful, May 1957, p. 164, table upper right.

Primary Examiner—Bruce W. Dunkins
 Attorney, Agent, or Firm—James F. Weiler

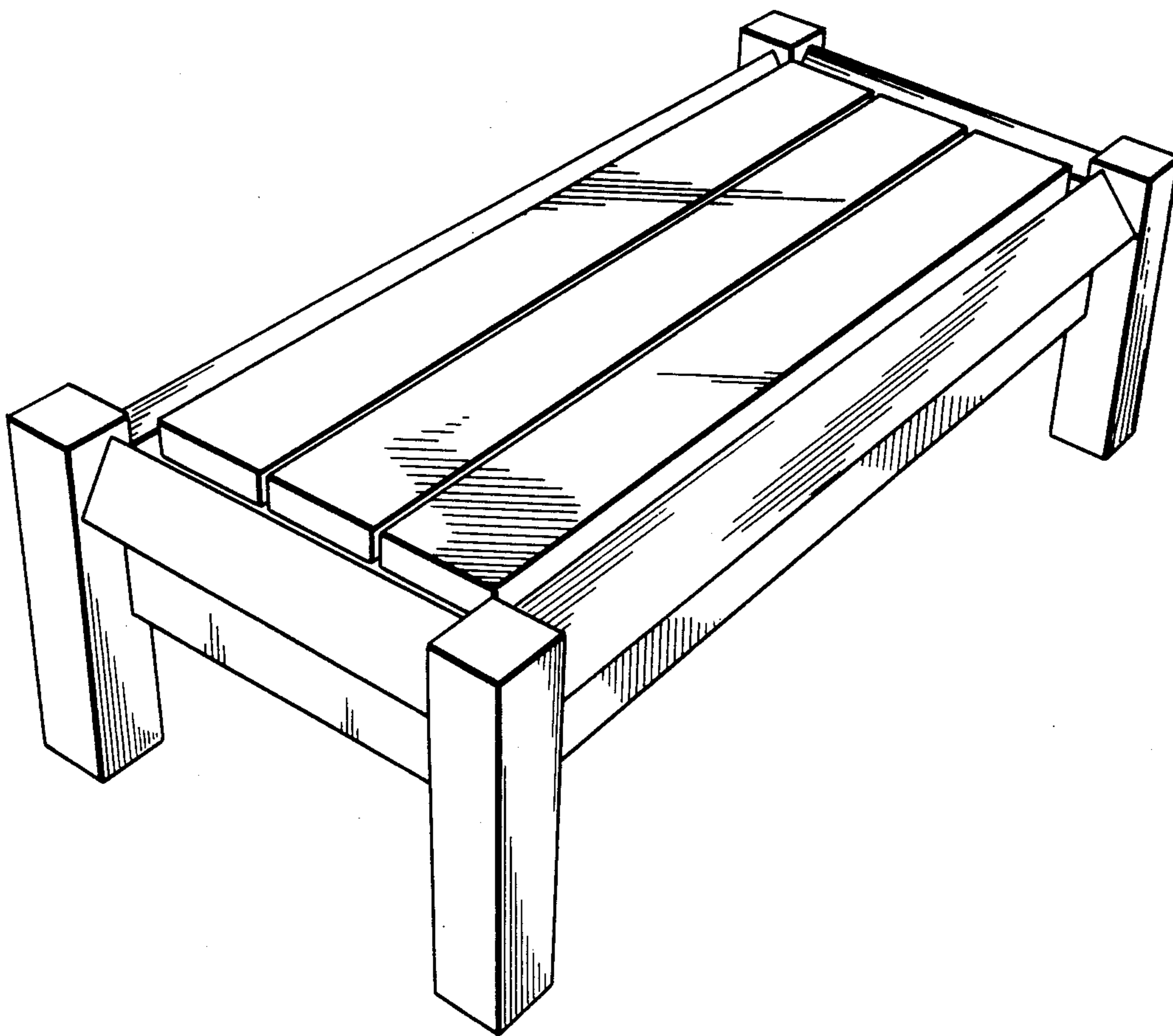
[57] CLAIM

The ornamental design for a table, as shown.

DESCRIPTION

FIG. 1 is a perspective view of the top of the table,
 FIG. 2 is a perspective view of the bottom of the table.

[56] References Cited
 U.S. PATENT DOCUMENTS
 D. 239,672 4/1976 Adkinson D6/177



U.S. Patent

Sept. 12, 1978

Des. 249,312

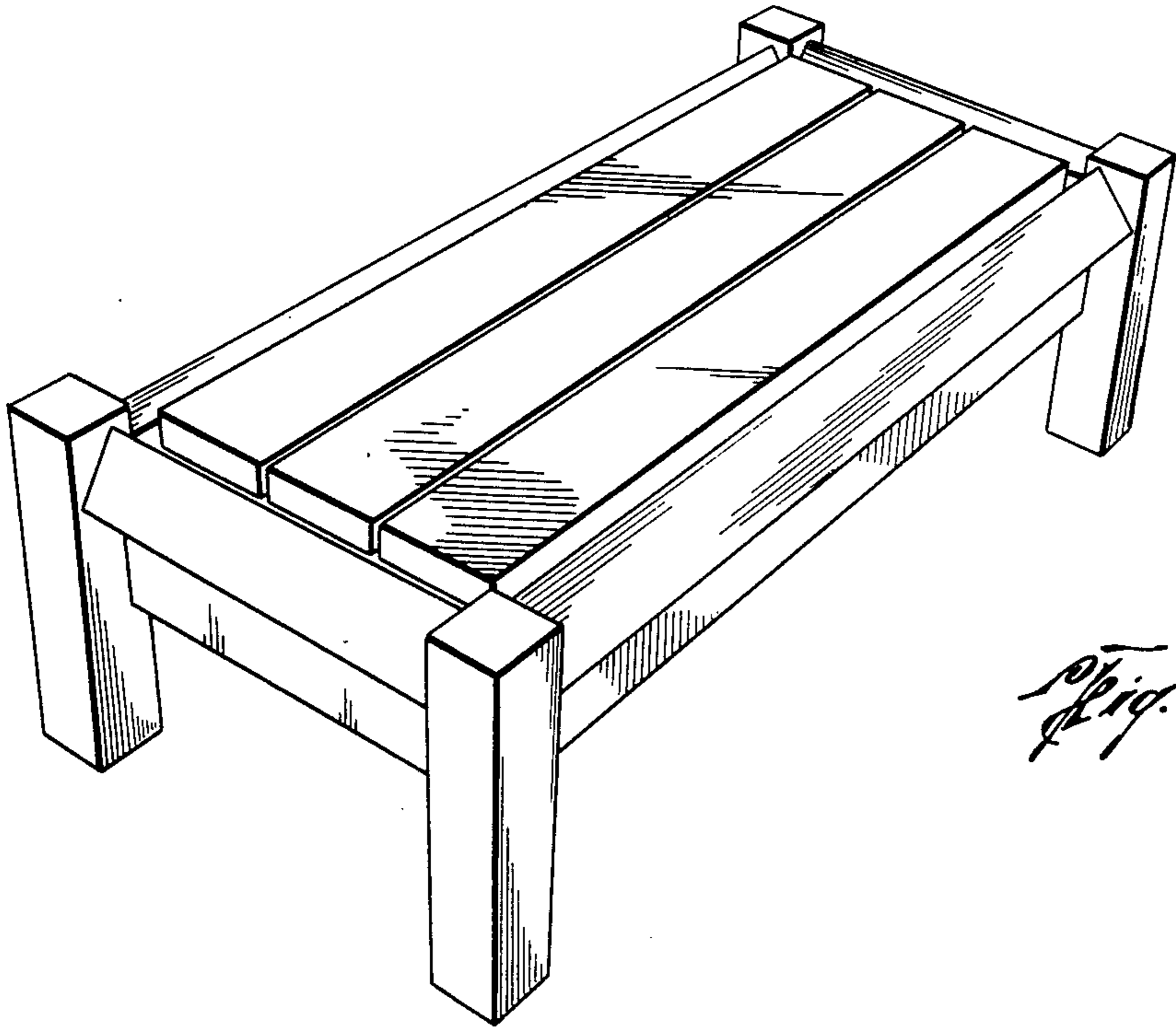


Fig. 1

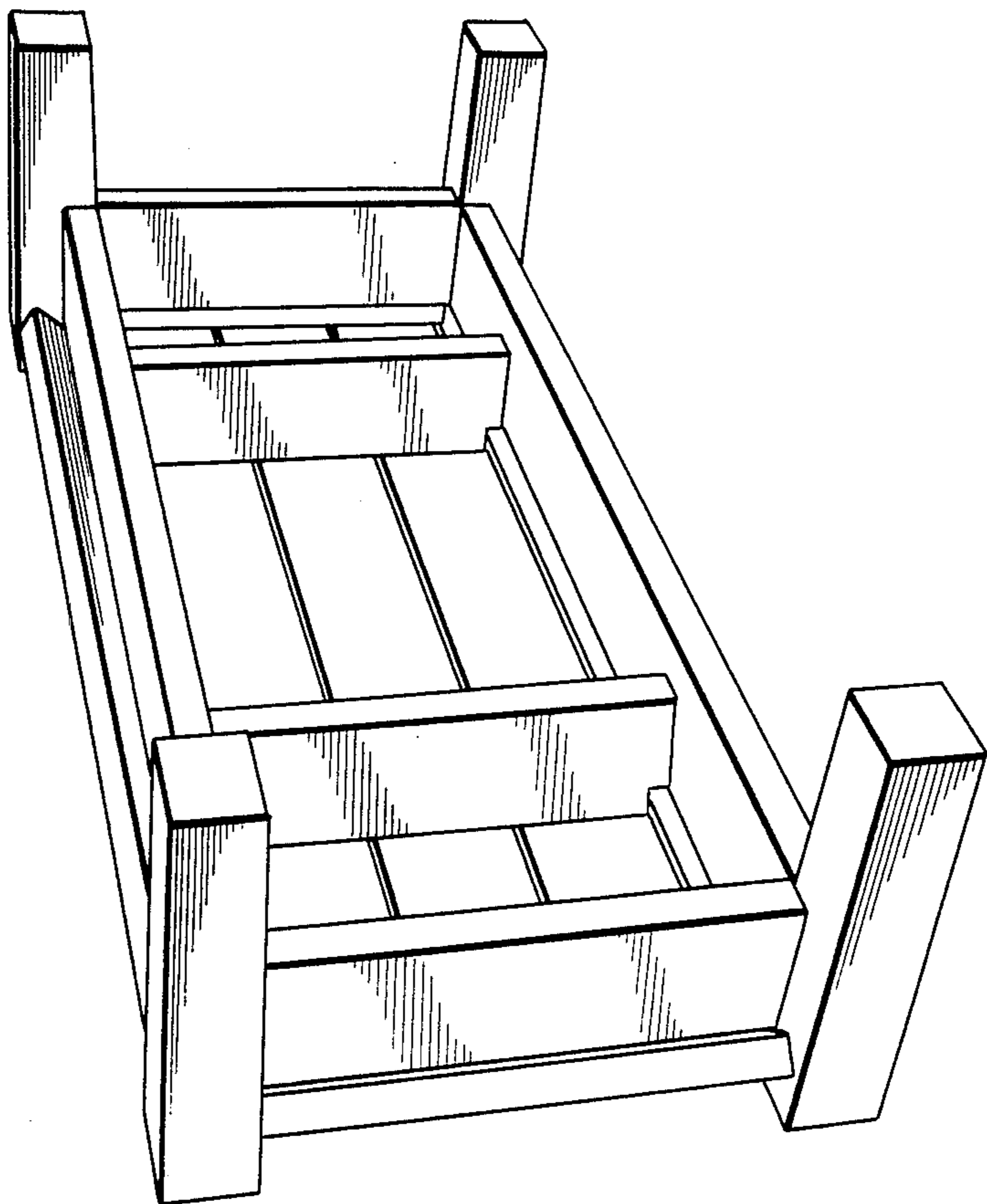


Fig. 2