

United States Patent [19]

Bridges

[11] Des. 249,310

[45] ** Sep. 12, 1978

[54] **WALL MOUNTED MODULAR TRAY**

[75] Inventor: **John A. Bridges**, Nashville, Tenn.

[73] Assignee: **Aladdin Industries, Incorporated**

[**] Term: **14 Years**

[21] Appl. No.: **760,076**

[22] Filed: **Jan. 17, 1977**

[51] Int. Cl. **D6-04**

[52] U.S. Cl. **D6/136**

[58] Field of Search **D6/85, 114, 125, 127, D6/130-132, 136, 167, 172, 189, 191, 188; 211/87, 90, 153; D19/92**

[56] **References Cited**

U.S. PATENT DOCUMENTS

| | | | | |
|------------|---------|----------|-------|--------|
| D. 30,012 | 1/1899 | Roberts | | D6/189 |
| D. 146,581 | 4/1947 | Nehrenz | | D6/189 |
| D. 156,956 | 1/1950 | Hassler | | D6/189 |
| D. 228,598 | 10/1973 | Mattheis | | D6/132 |
| D. 244,658 | 6/1977 | Turner | | D19/92 |

Primary Examiner—Wallace R. Burke

Assistant Examiner—B. J. Bullock

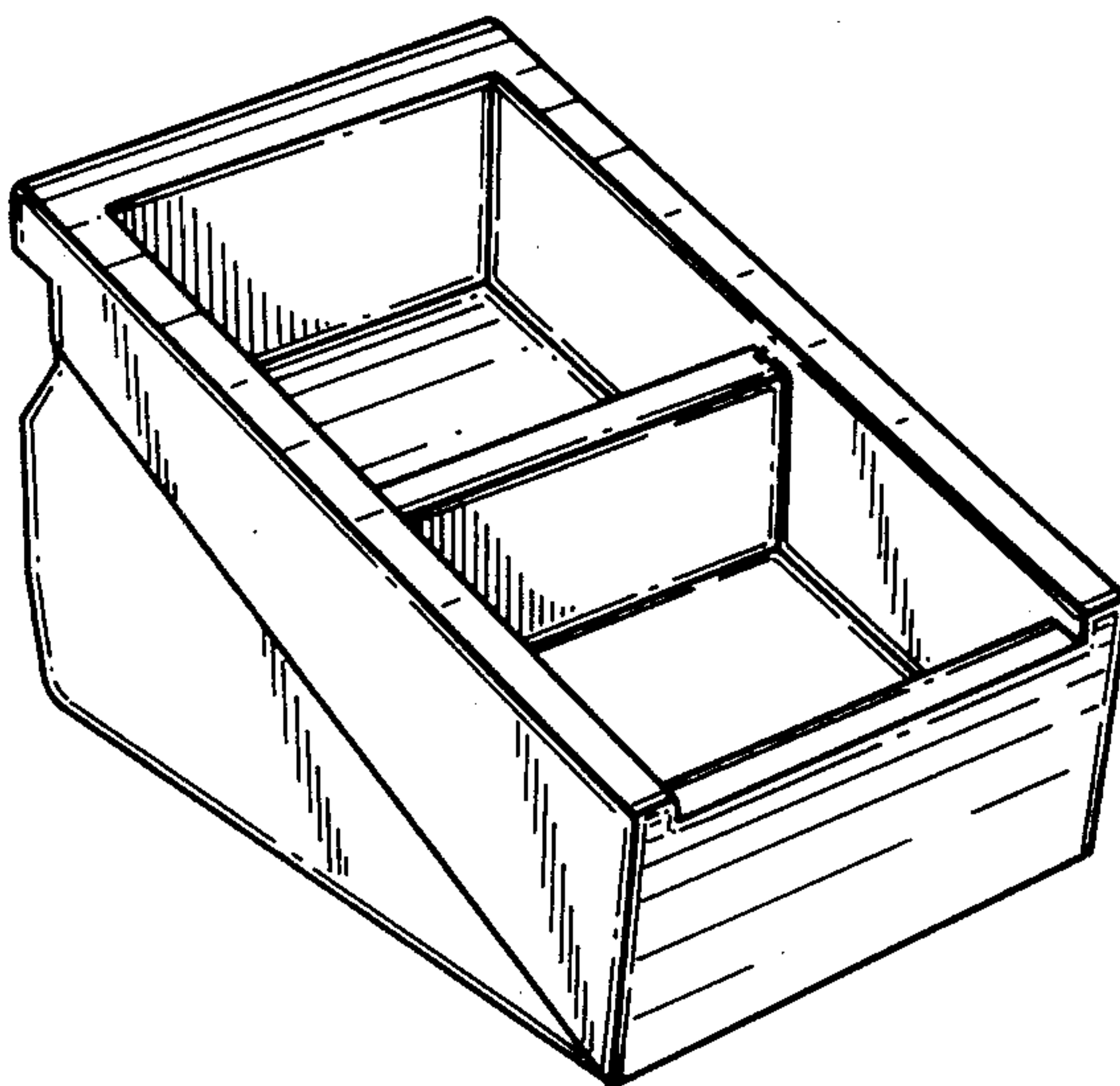
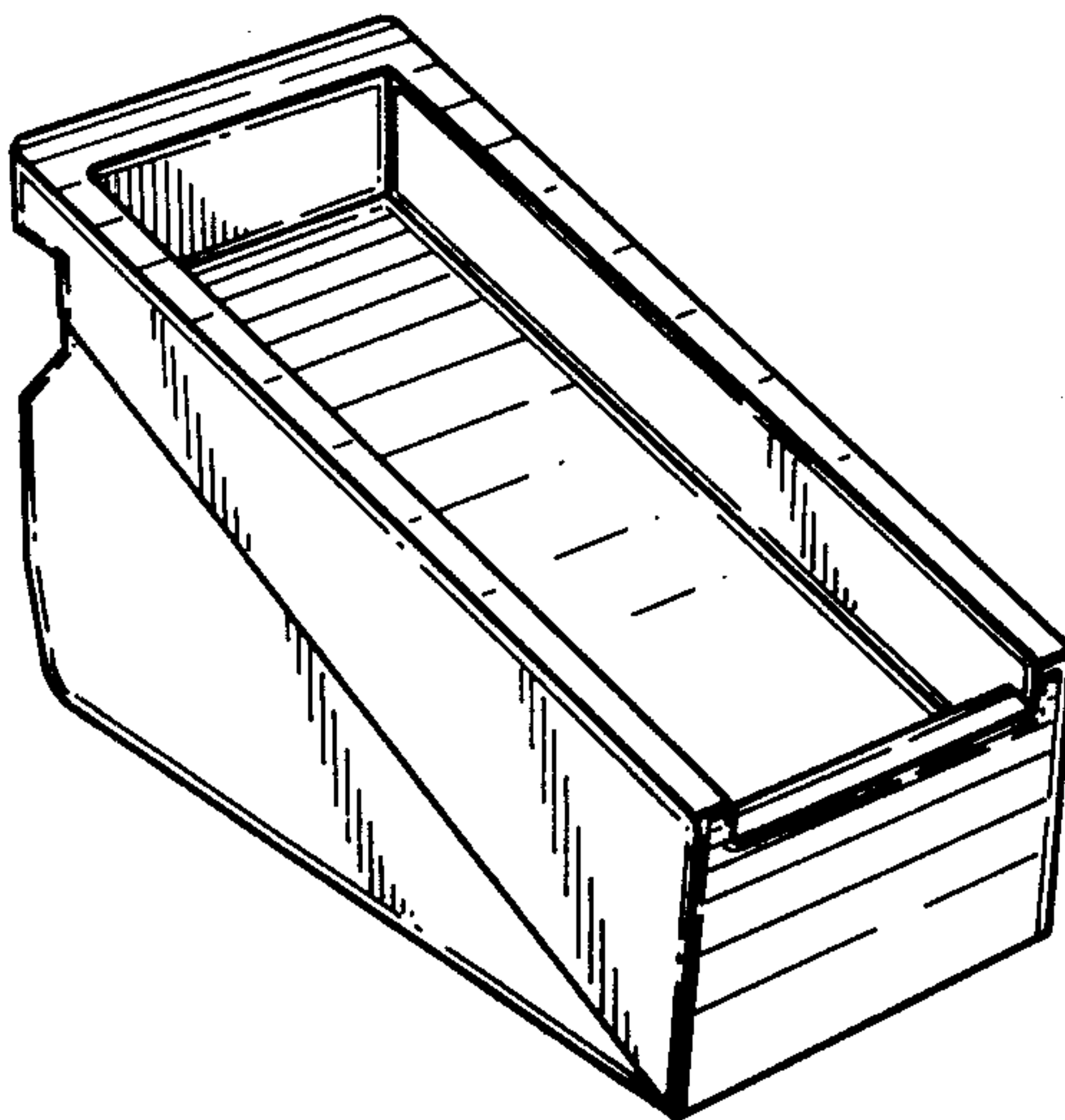
Attorney, Agent, or Firm—Dugald S. McDougall

[57] **CLAIM**

The ornamental designs for wall mounted modular tray, as shown and described.

DESCRIPTION

FIG. 1 is a perspective view of a wall mounted modular tray showing my new design; FIG. 2 is a top plan view of FIG. 1; FIG. 3 is a side elevational view of FIG. 1; FIG. 4 is a rear elevational view of FIG. 1; FIG. 5 is a front elevational view of FIG. 1; FIG. 6 is a bottom plan view of FIG. 1; FIG. 7 is a sectional view taken on line 7—7 of FIG. 2; and FIG. 8 is a perspective view of a second embodiment of the design of FIG. 1, the only differences residing in the depth of the depression, its division into two sections and the width of the tray.



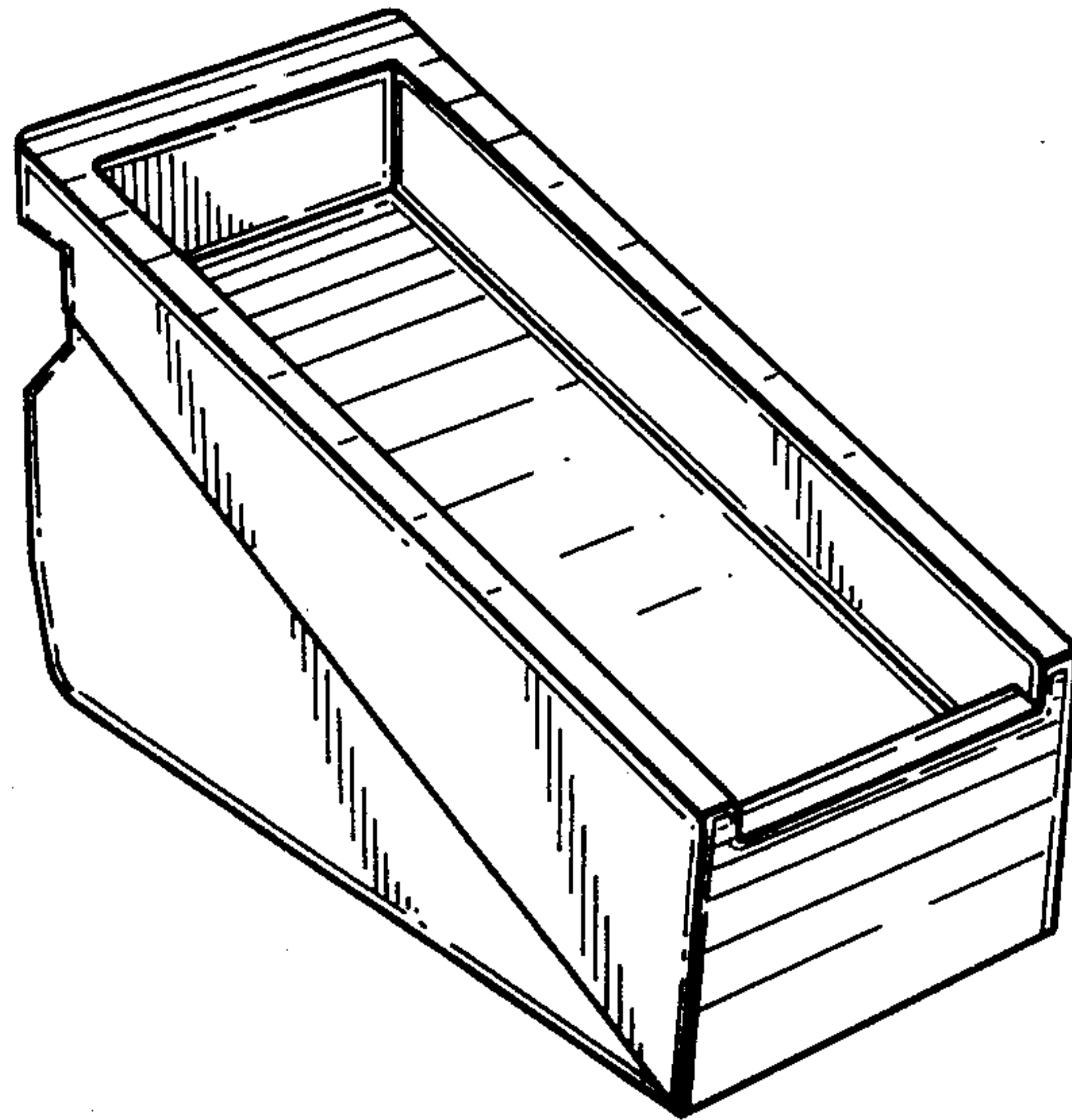


FIG. 1

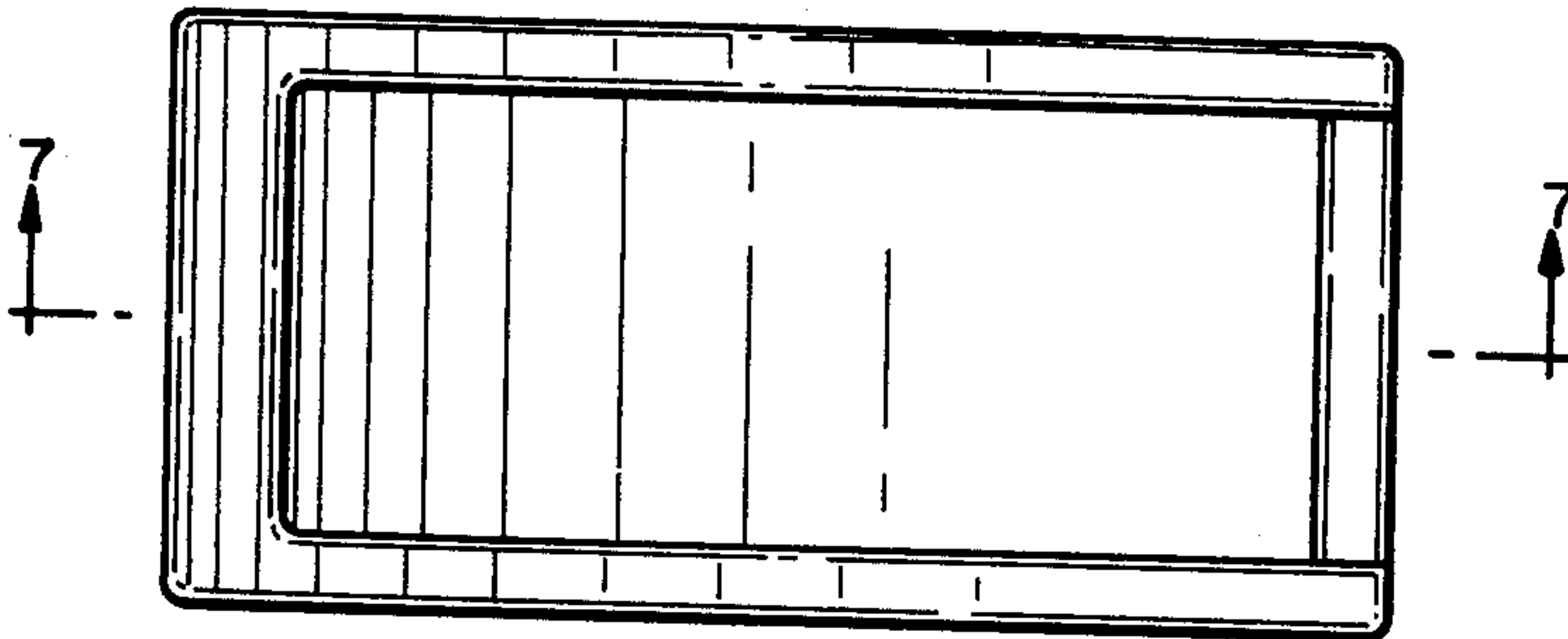


FIG. 2

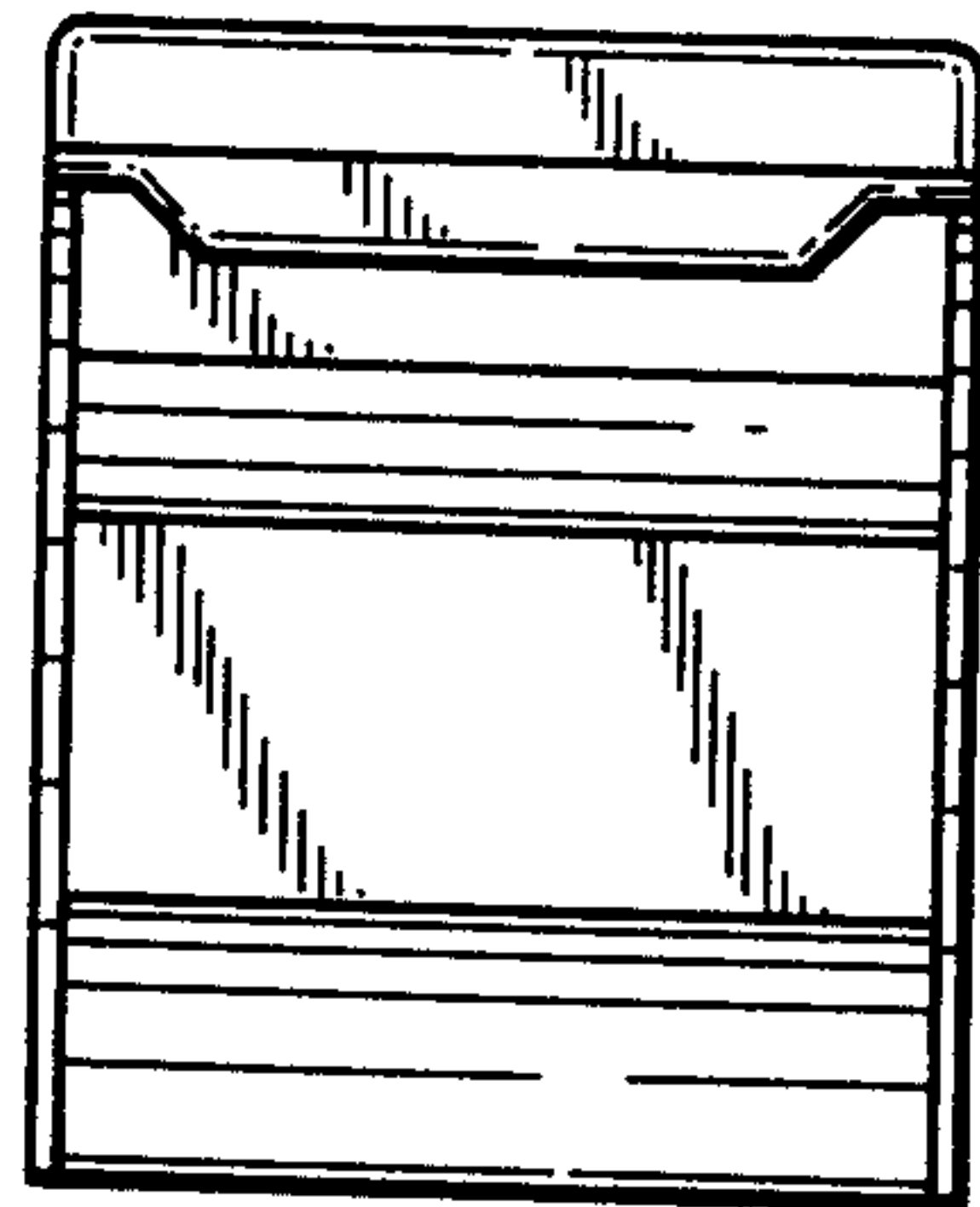


FIG. 4

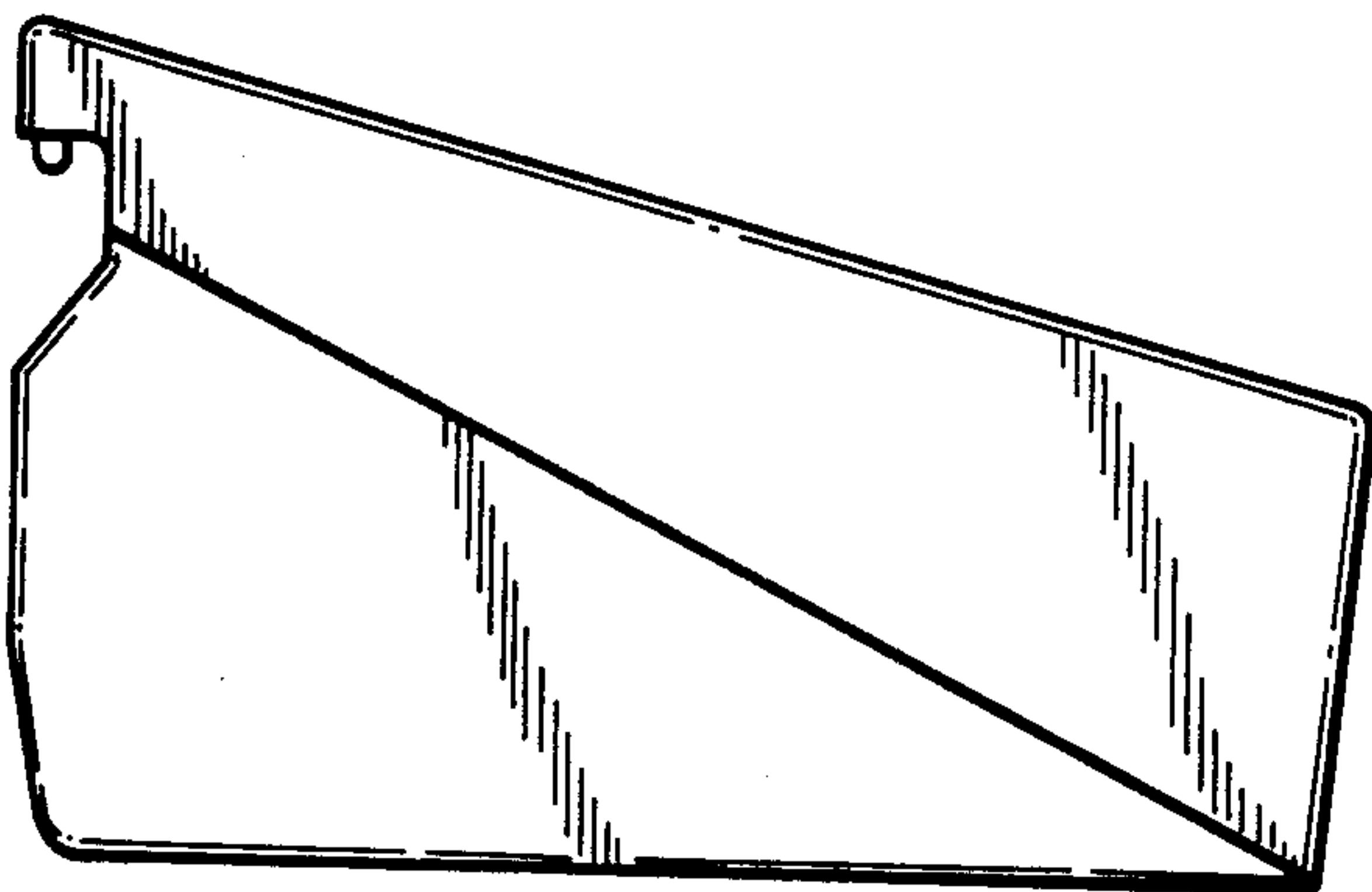


FIG. 3

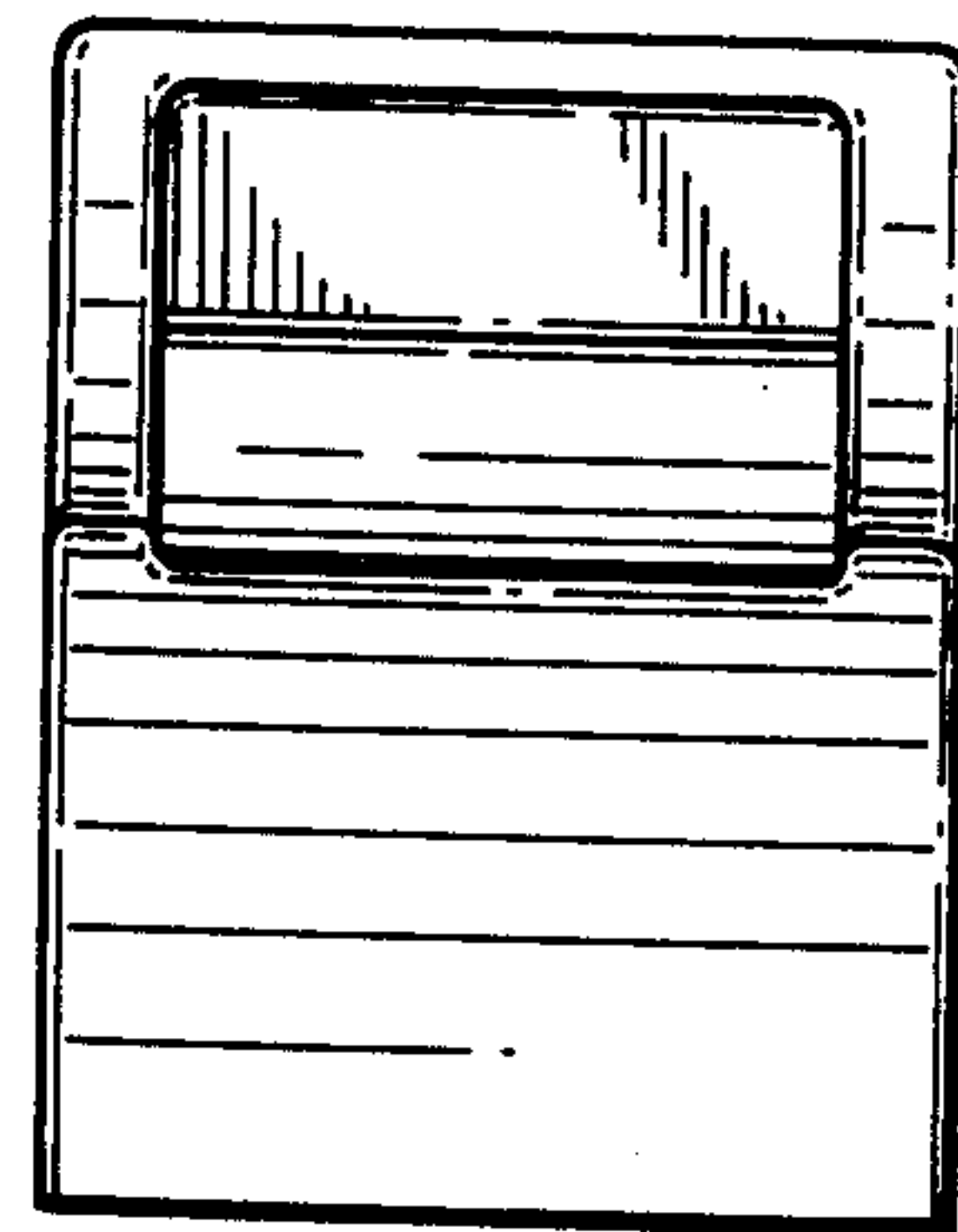


FIG. 5

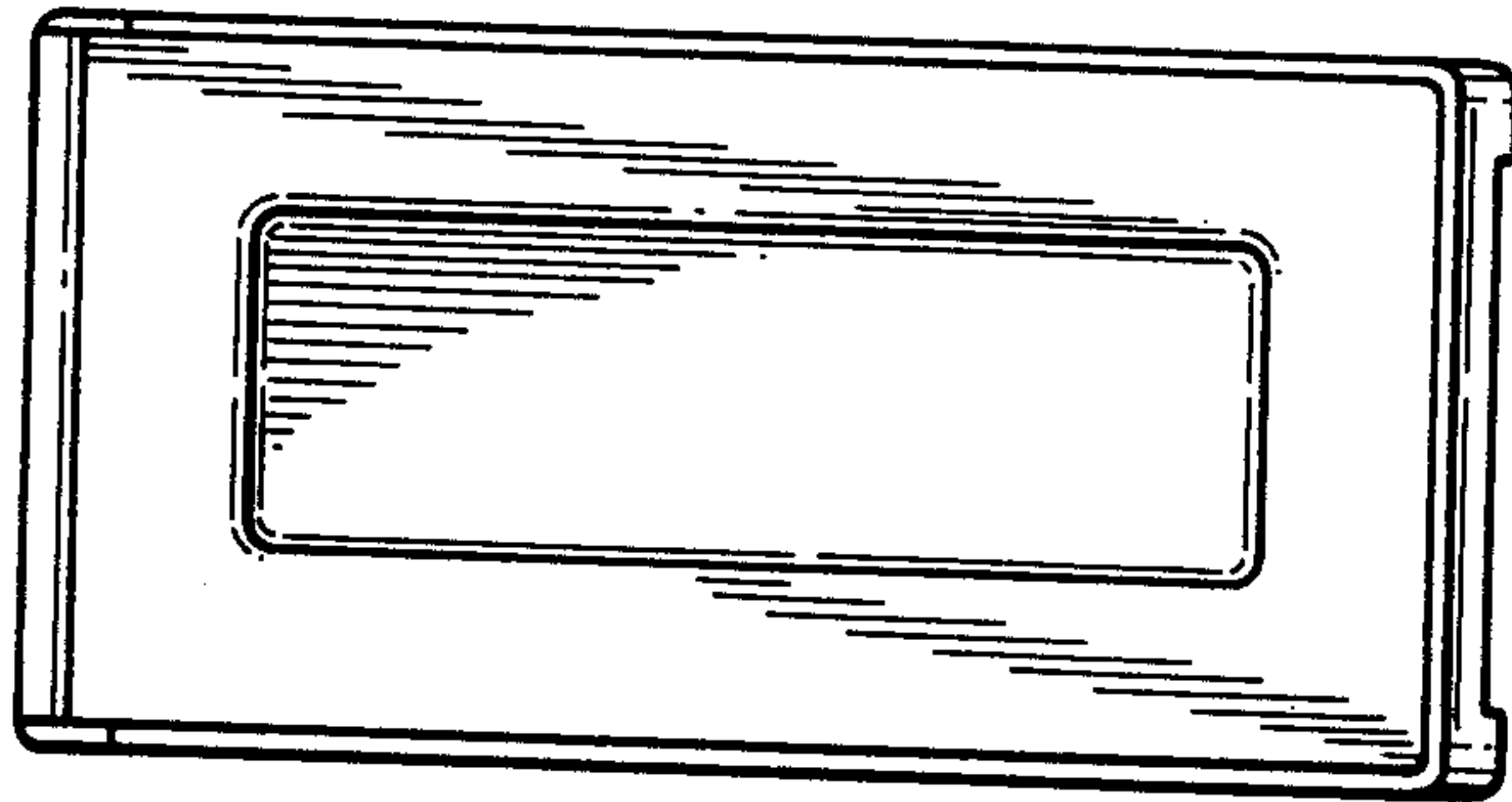


FIG. 6

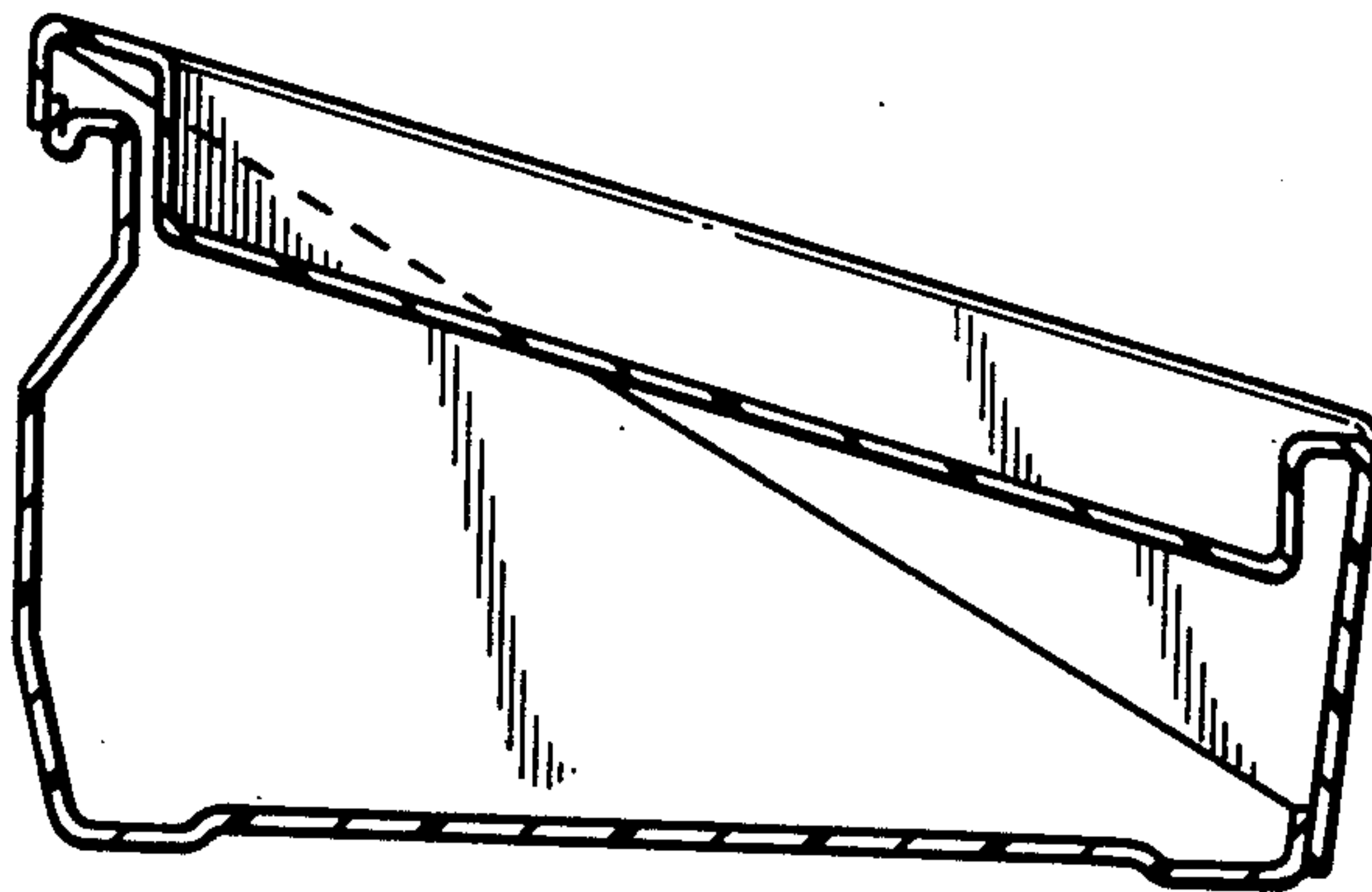


FIG. 7

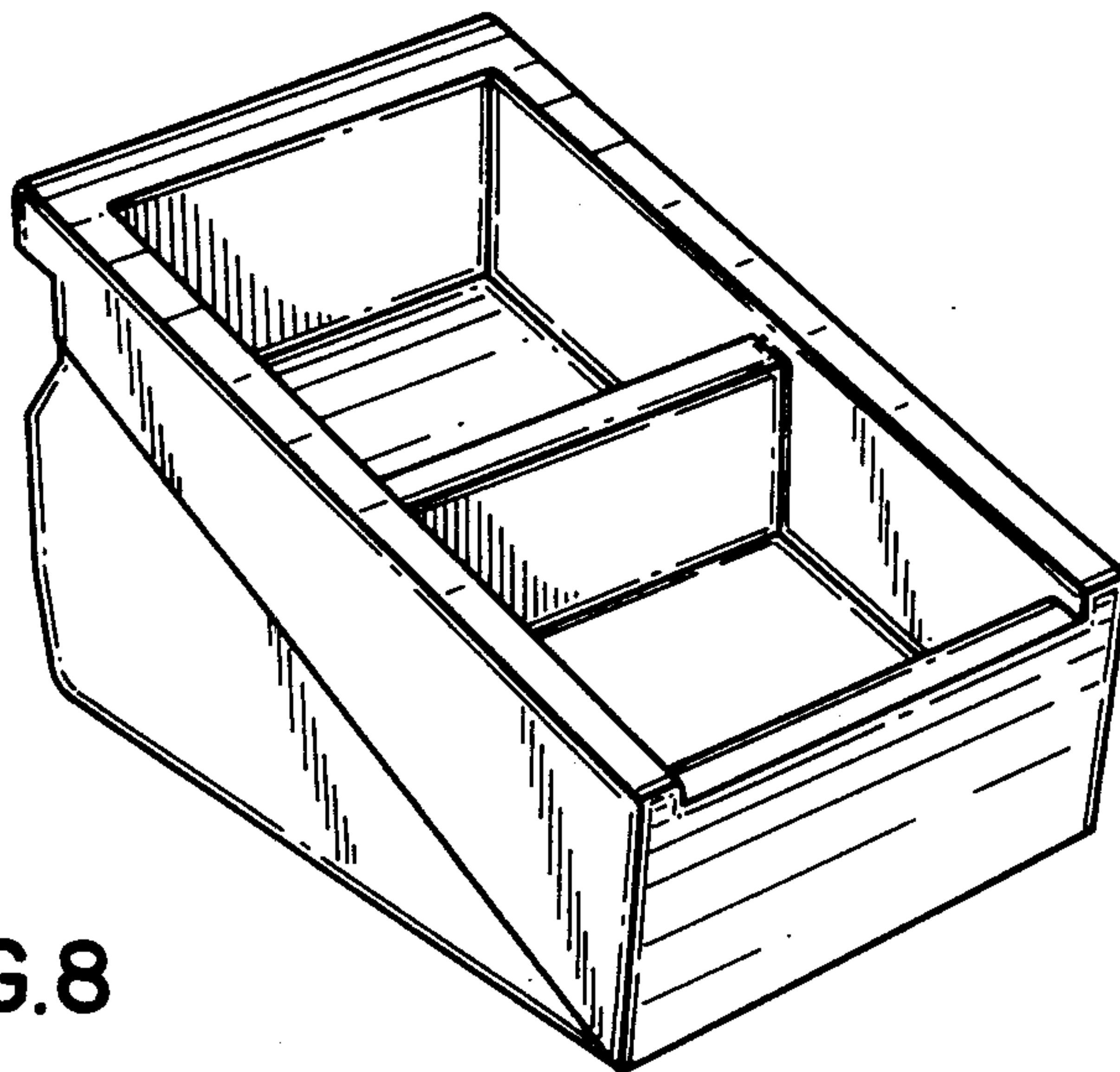


FIG. 8