

[54] COLLAPSIBLE TABLE AND CHAIR COMBINATION

[76] Inventor: Ralph W. Henninger, 3292 Trinity St., Fortuna, Calif. 95540

[**] Term: 14 Years

[21] Appl. No.: 721,962

[22] Filed: Sep. 10, 1976

[51] Int. Cl. D6-05

[52] U.S. Cl. D6/42; D6/178; D6/64

[58] Field of Search D6/47, 58, 60, 70, 76, D6/42, 64; 297/17, 54, 124, 125, 129

[56] References Cited

U.S. PATENT DOCUMENTS

| | | | |
|-----------|---------|--------------------|----------|
| 897,737 | 9/1908 | Goodrich | 297/54 |
| 920,650 | 5/1909 | Remsen et al. | 297/54 |
| 1,118,530 | 11/1914 | Clay | 297/54 X |
| 1,241,907 | 10/1917 | Bernhard | 297/54 |
| 1,788,832 | 1/1931 | Hamburg | 297/54 |
| 2,483,309 | 9/1949 | Amaducci | 297/54 |
| 2,589,372 | 3/1952 | Hake | 297/17 |

Primary Examiner—Bruce W. Dunkins

Attorney, Agent, or Firm—C. Robert Von Hellens

[57] CLAIM

The ornamental design for a collapsible table and chair combination, as shown and described.

DESCRIPTION

FIG. 1 is a perspective view of the article of this invention in its fully extended form as a chair (the arrows indicating the direction of rotation for retracting the pivotable elements of the article).

FIG. 2 is a perspective view of the article of this invention in its fully collapsed form showing one face of the collapsed article;

FIG. 3 is a plan view of the article of this invention in its collapsed form showing the face opposing the face shown in FIG. 2;

FIG. 4 is a plan view of the article of this invention in its fully extended form as a chair;

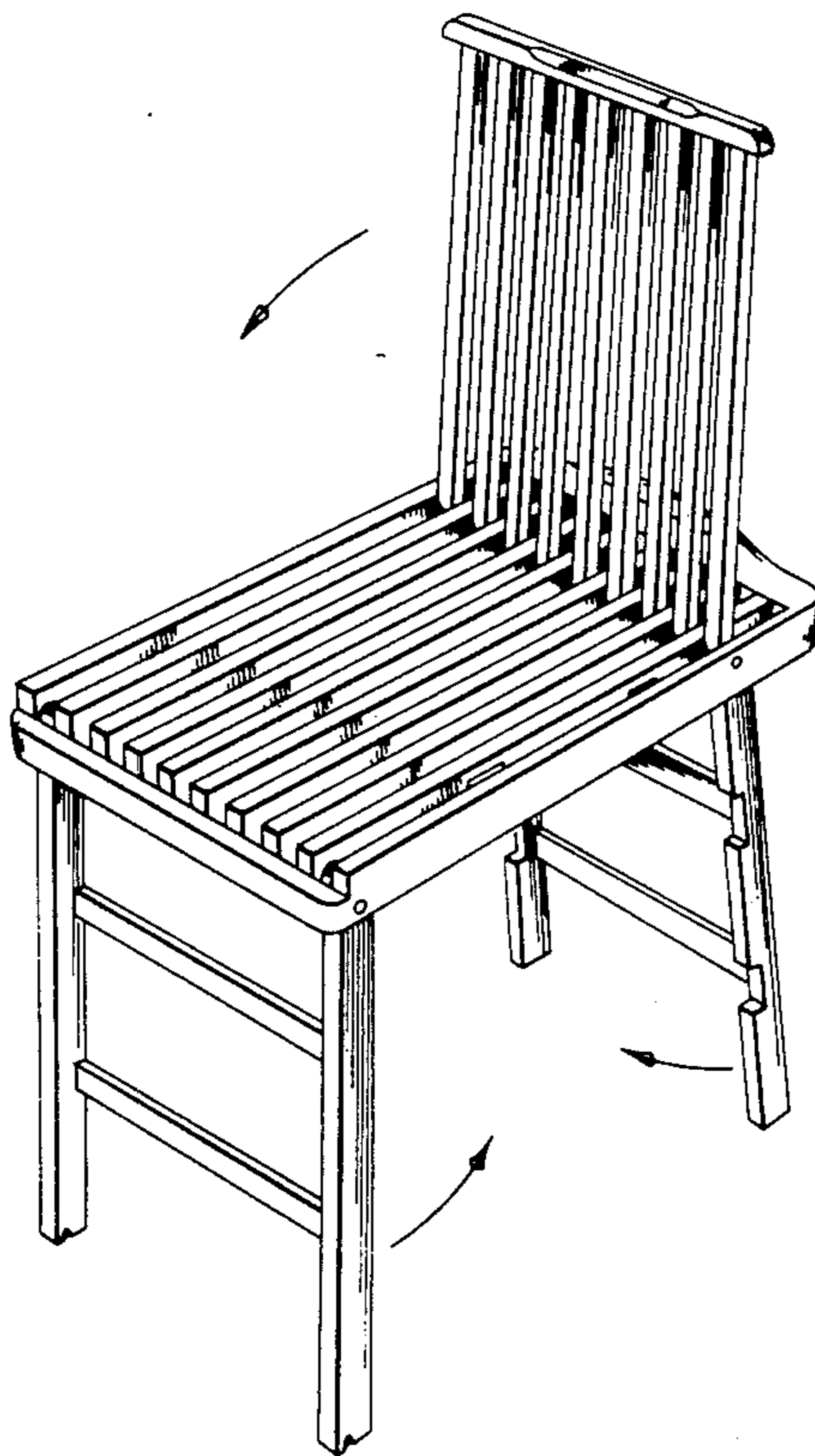
FIG. 5 is a side elevational view of the article of this invention in its fully extended form as a chair;

FIG. 6 is a front elevational view of the article of this invention in its fully extended form as a chair;

FIG. 7 is a bottom view of the article of the invention in its partially extended form as a table;

FIG. 8 is a bottom view of the article of this invention in its fully extended form as a chair; and

FIG. 9 is a perspective view of the article of this invention in its fully extended form as a table.



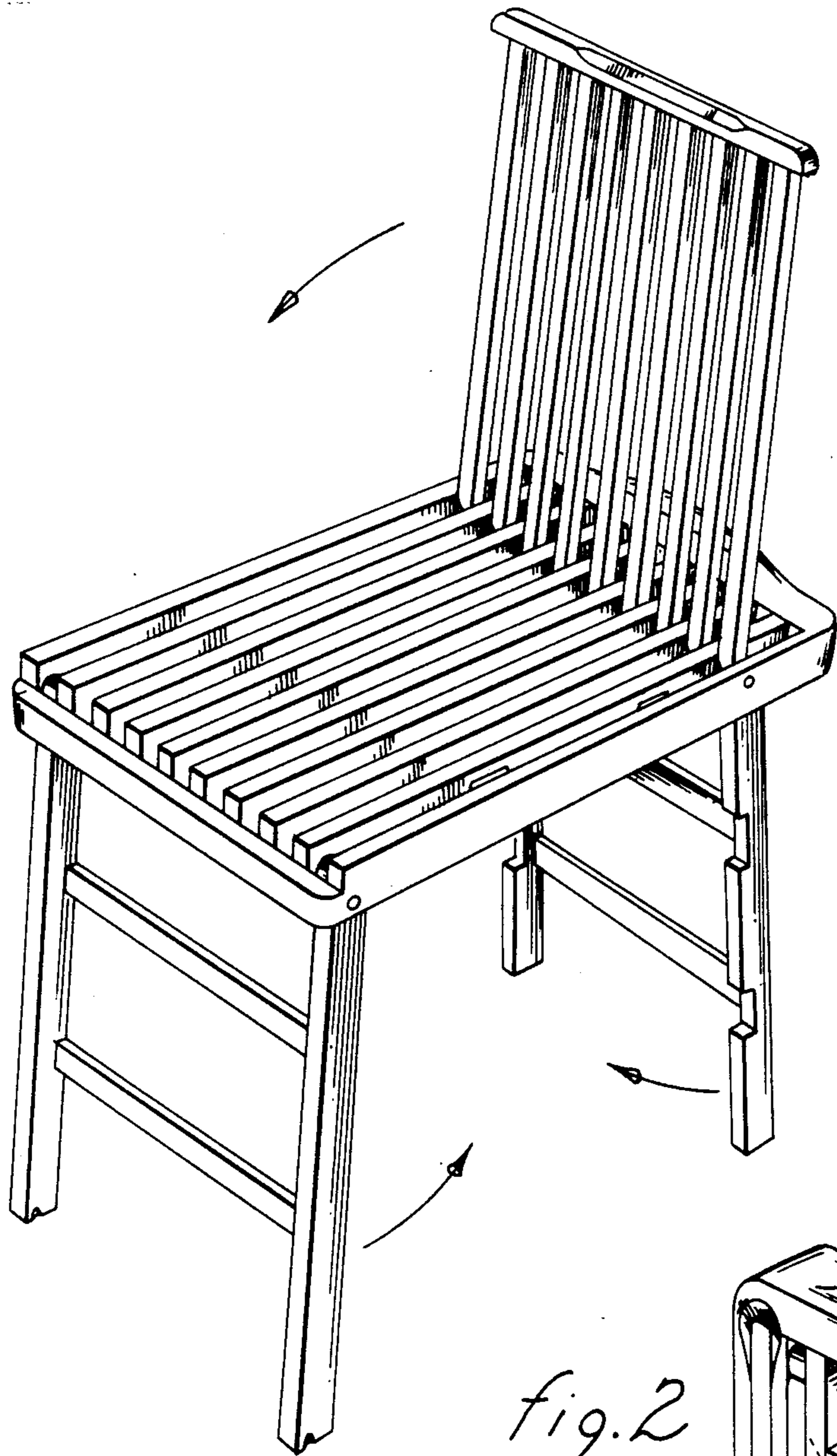


fig. 1

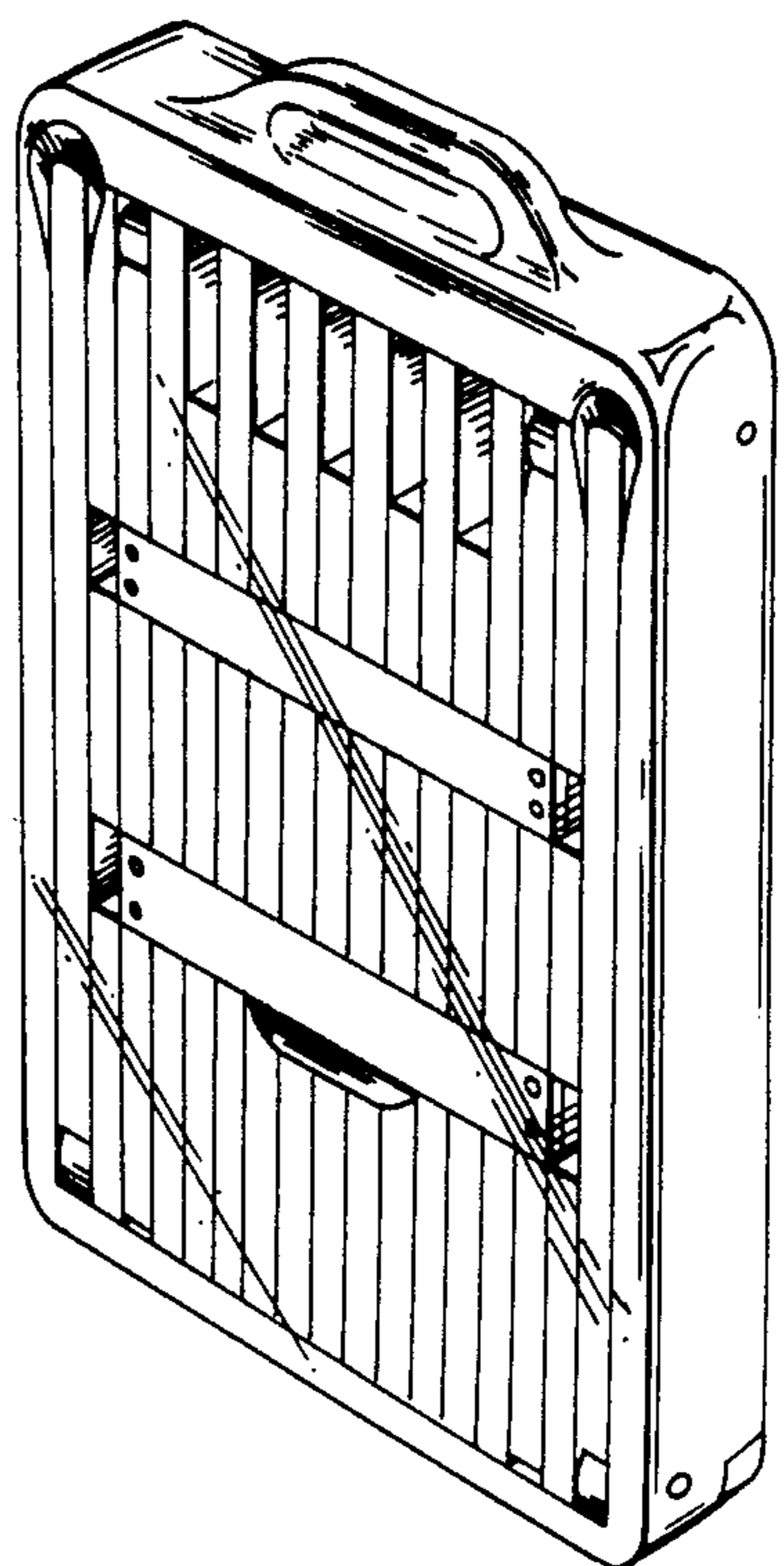


fig. 2

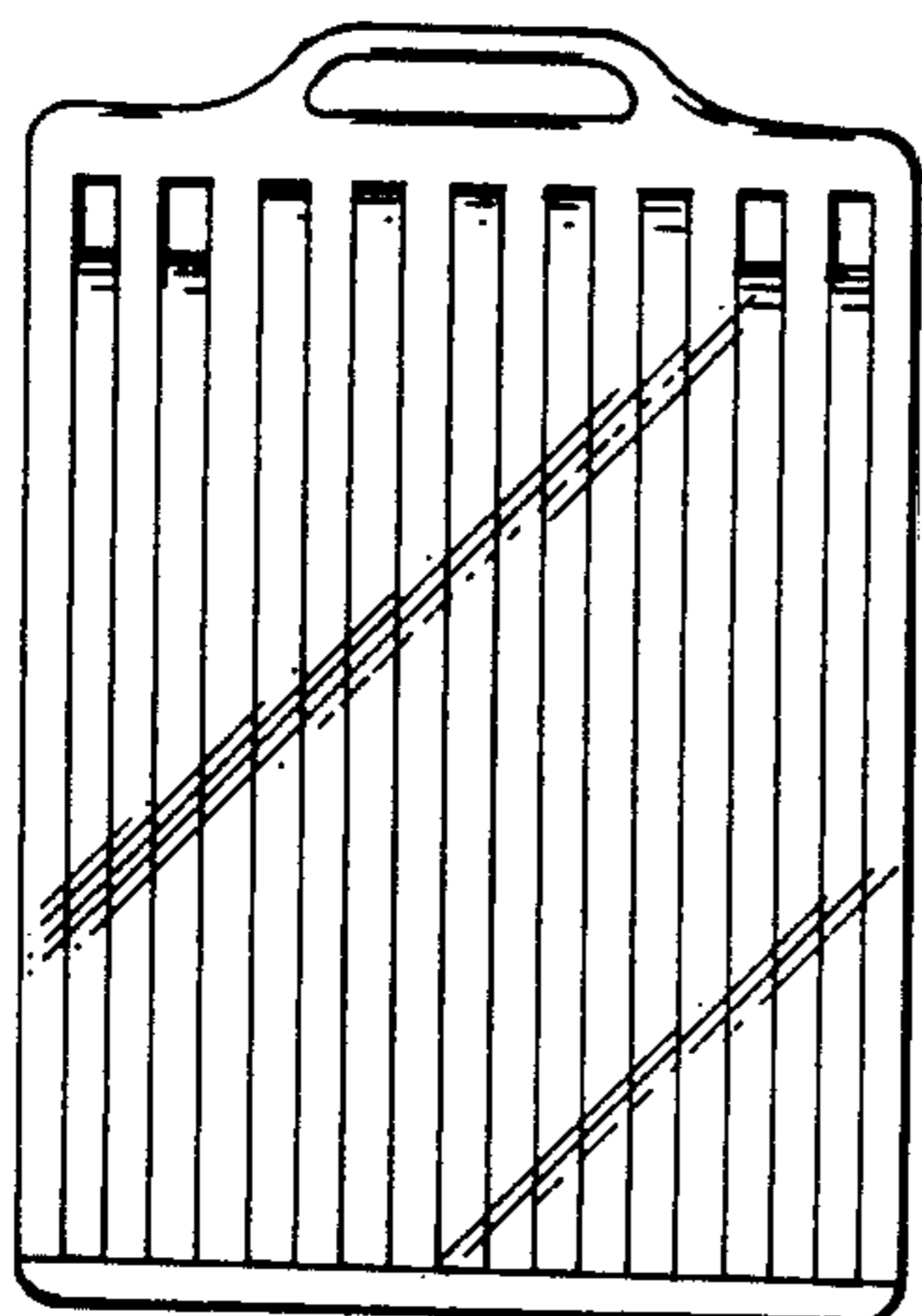


fig. 3

fig. 4

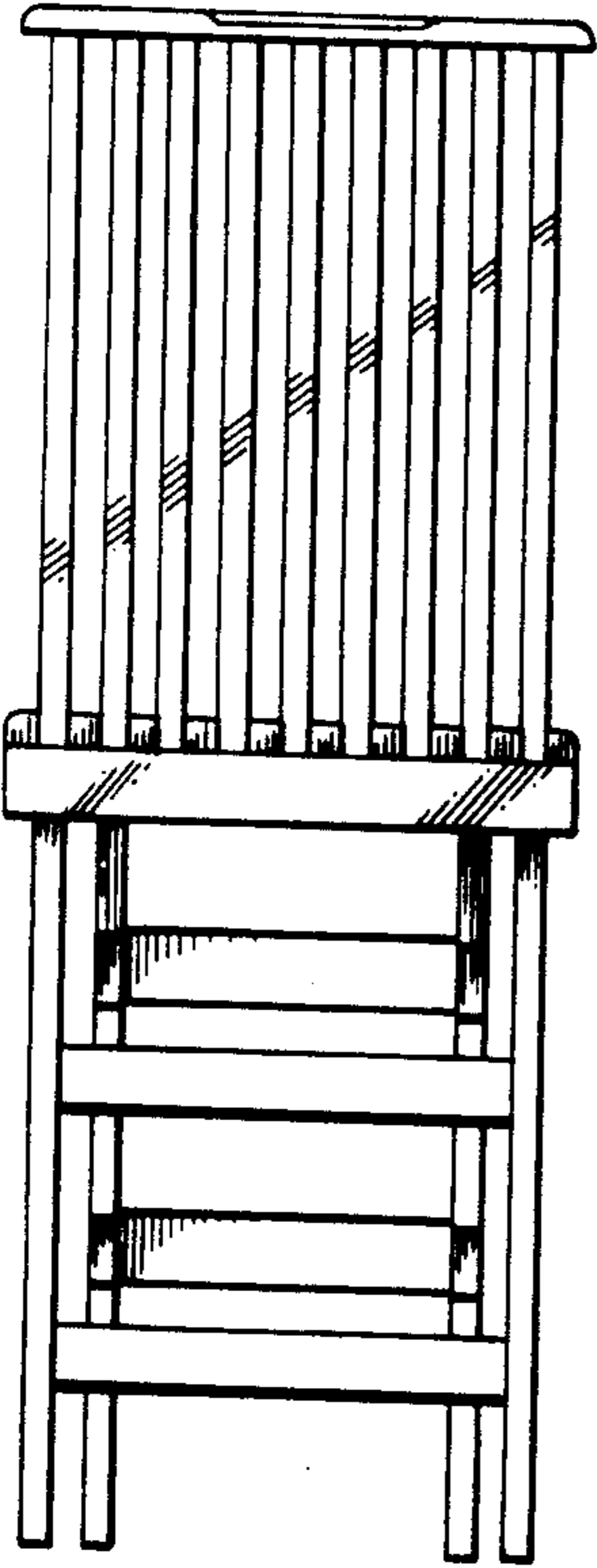
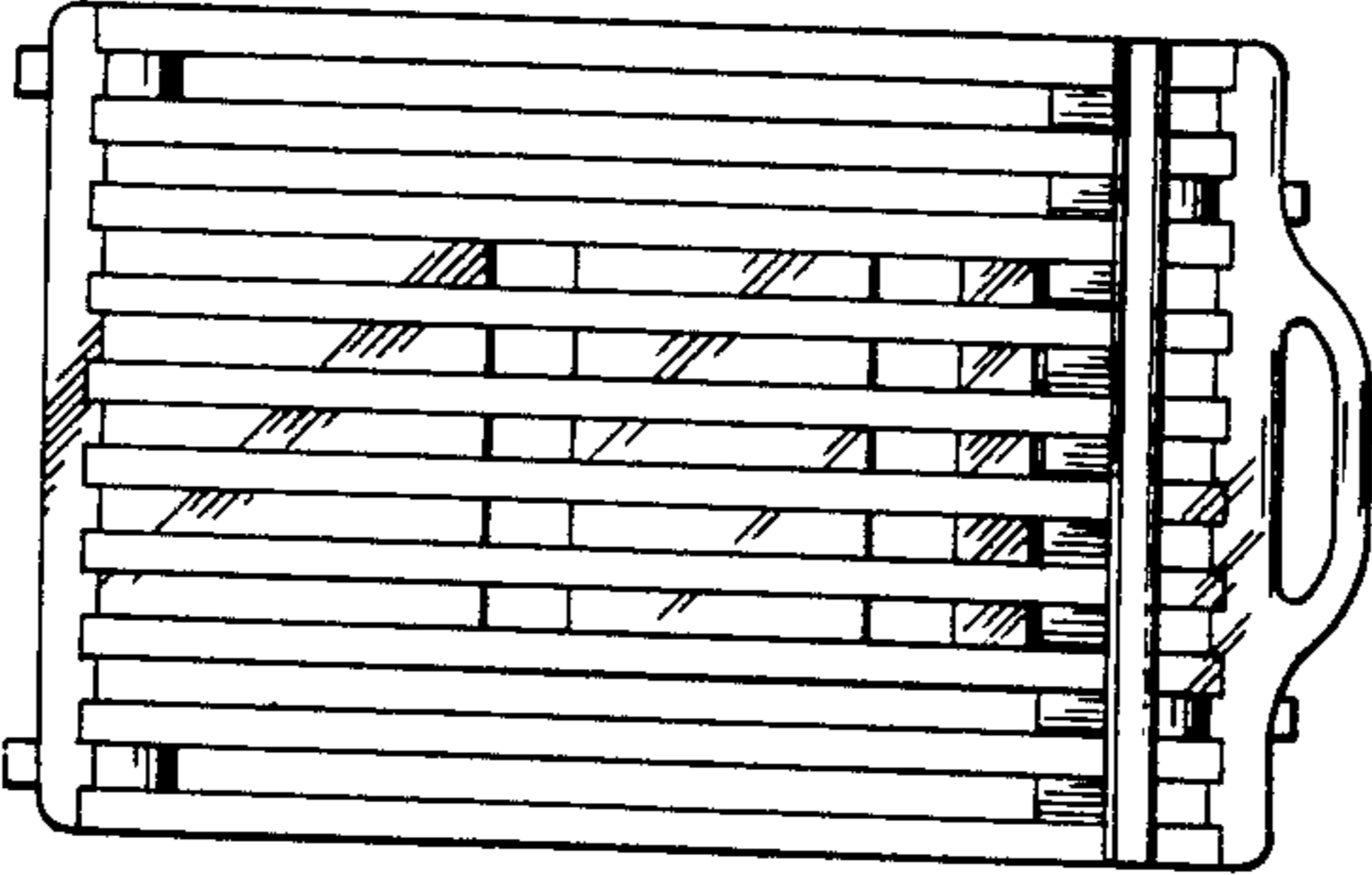


fig. 6

fig. 5

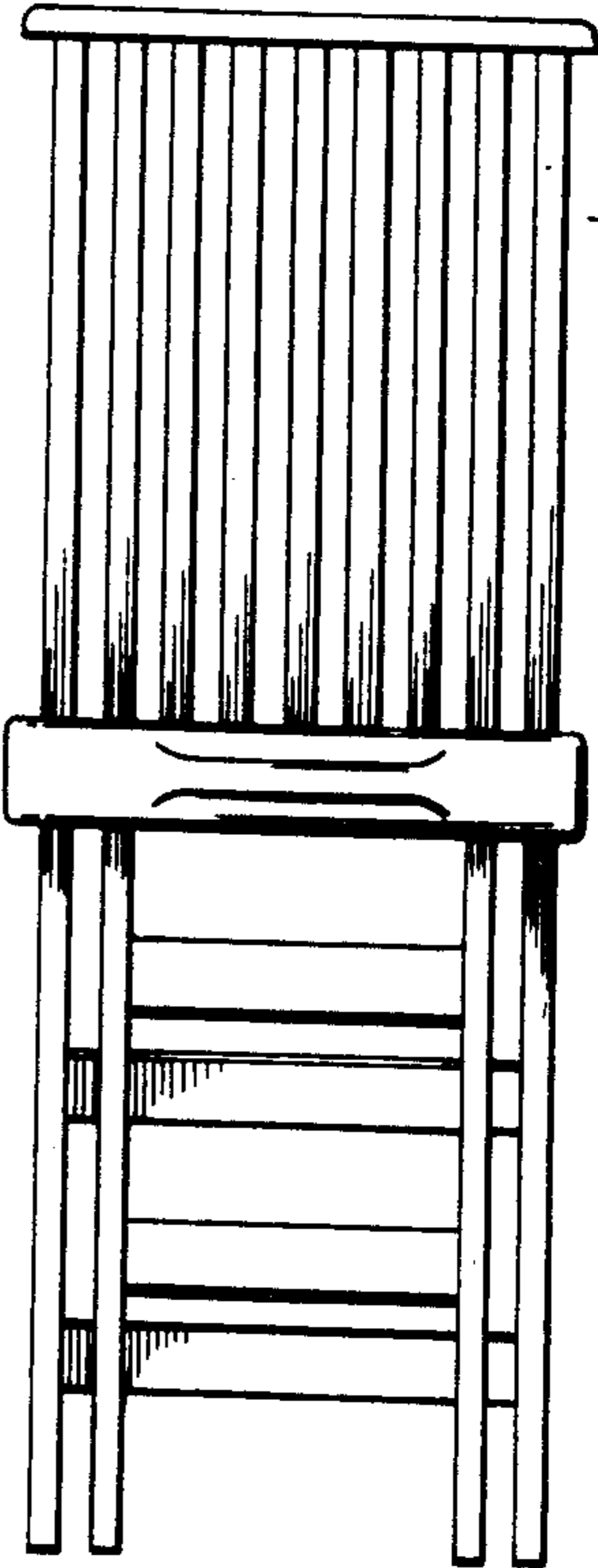
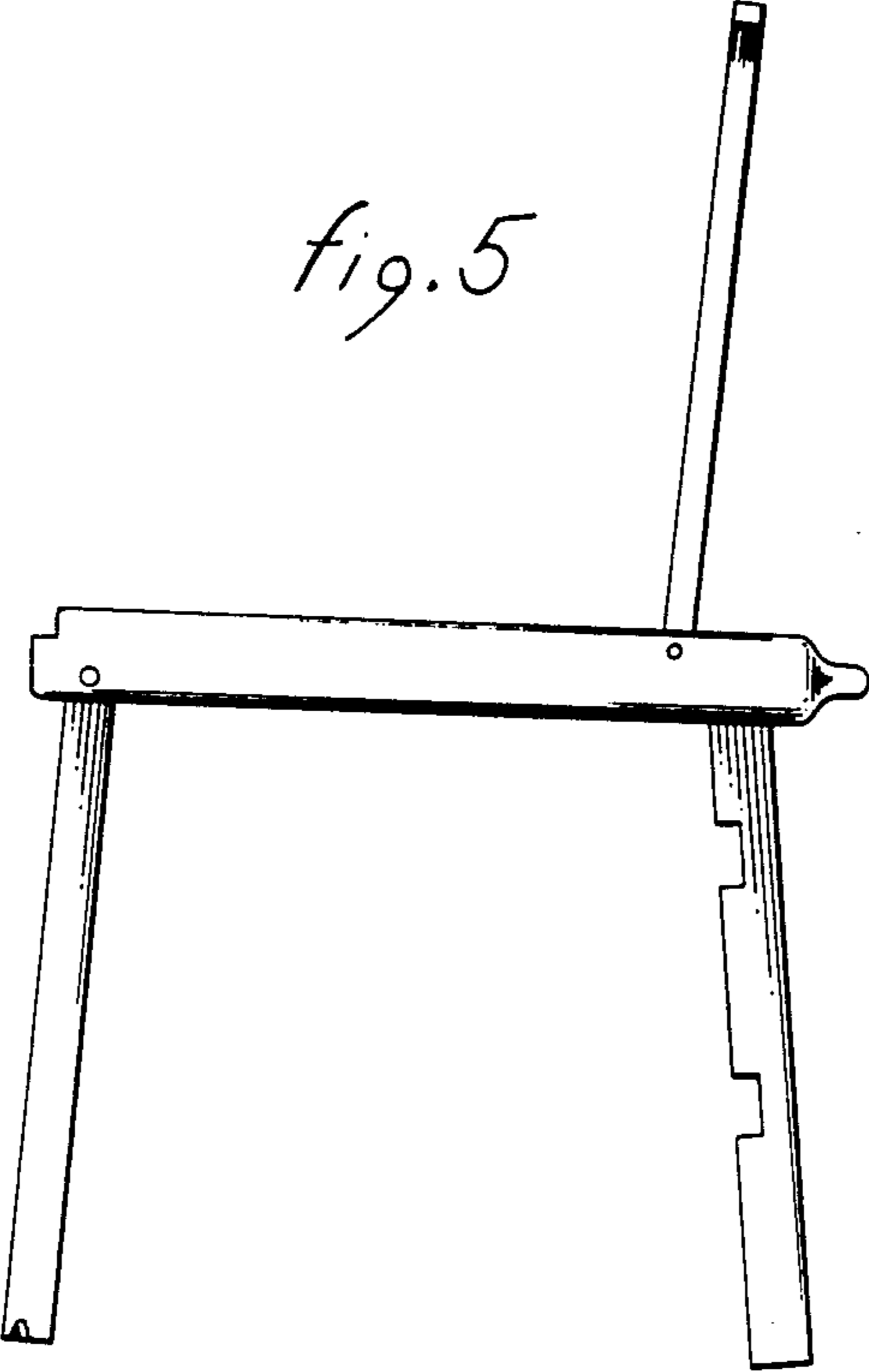
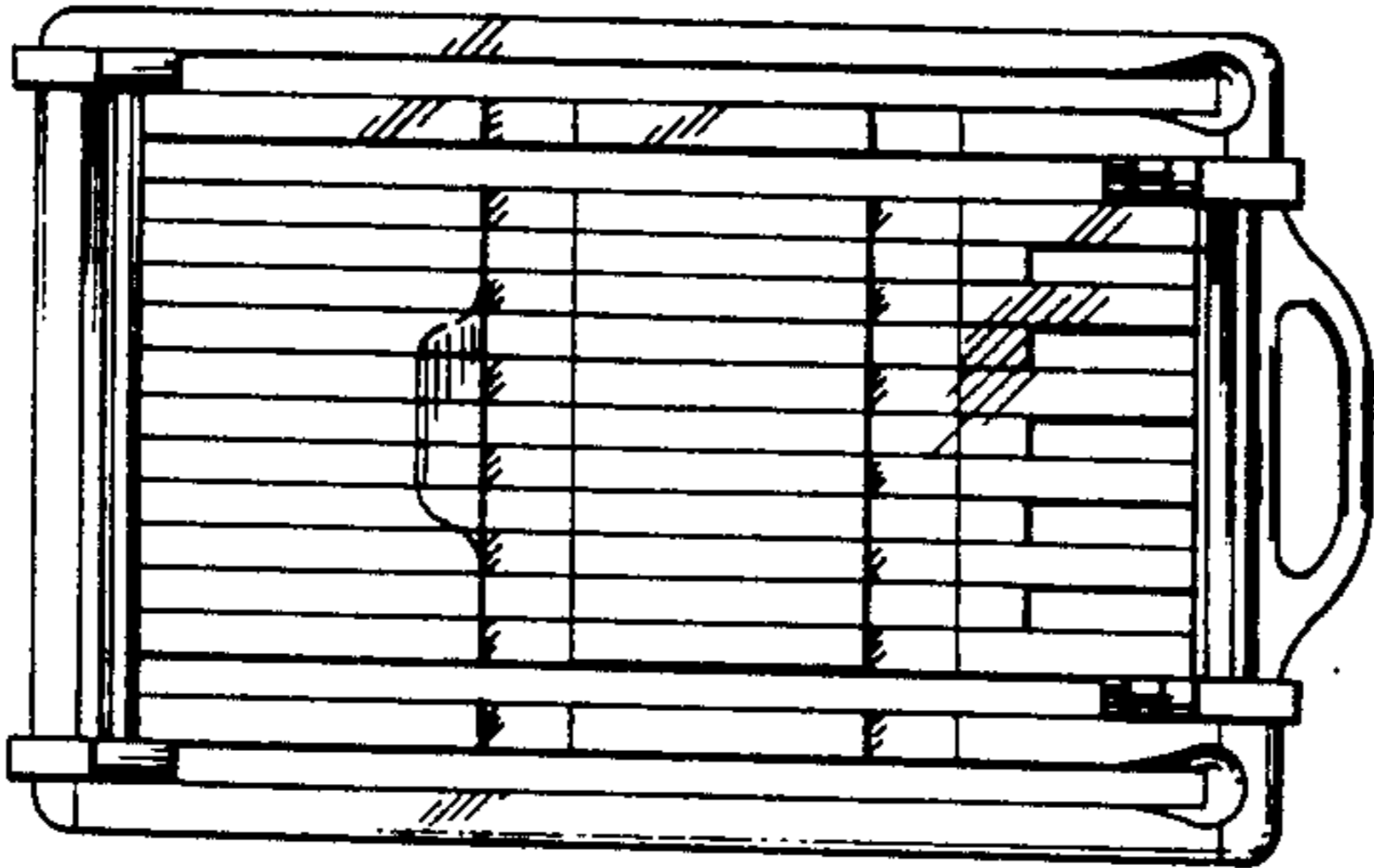


fig. 8

fig. 7



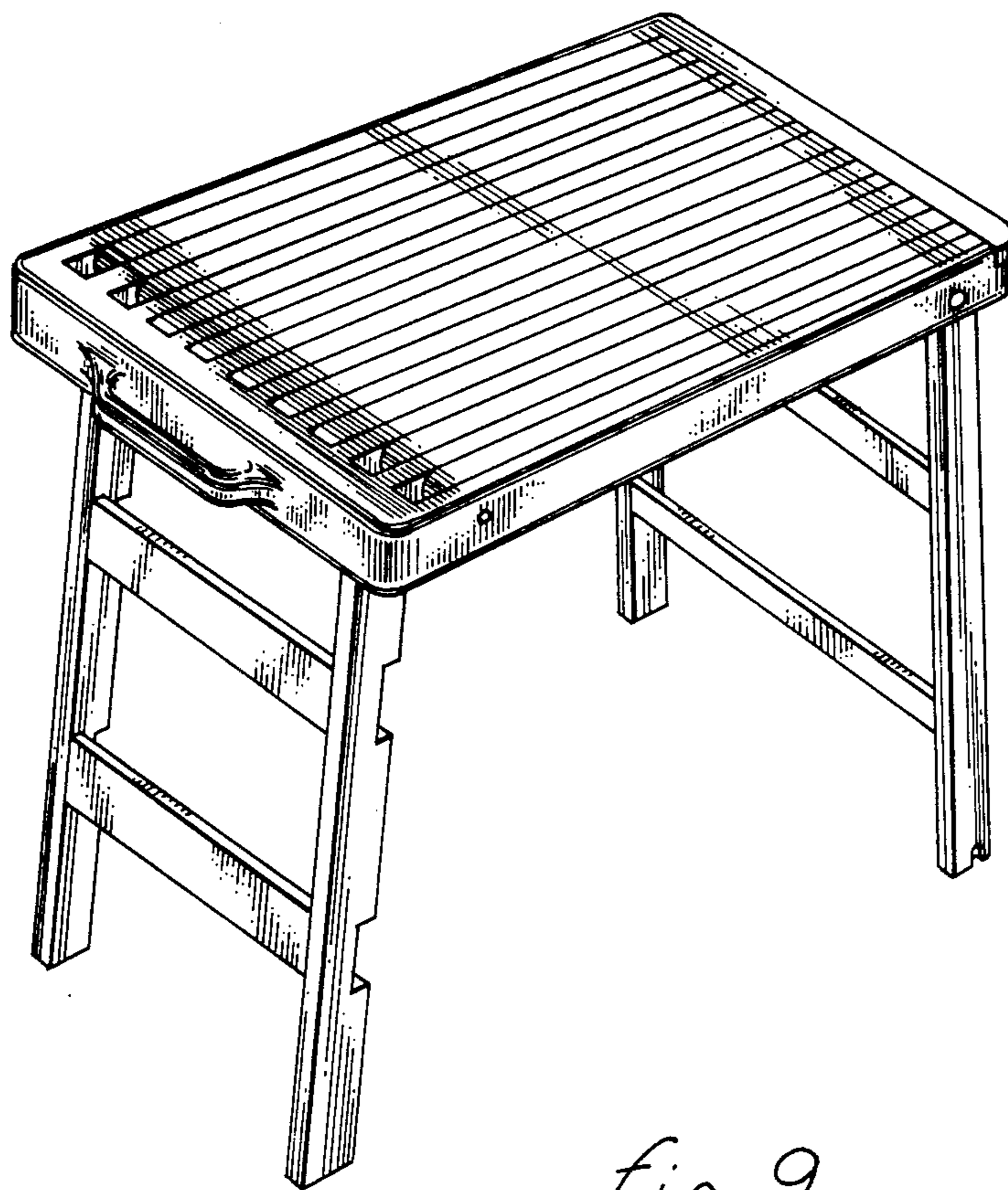


fig. 9