

[54] DISPLAY RACK

[76] Inventor: Udell S. Ehrlich, 157 Amherst Pl., Atlanta, Ga. 30327

[**] Term: 14 Years

[21] Appl. No.: 712,314

[22] Filed: Aug. 6, 1976

[51] Int. Cl. D20-02

[52] U.S. Cl. D6/28; D6/85

[58] Field of Search D6/20, 25, 28, 29, 85, D6/114, 116, 127, 130, 132, 136, 146, 152, 158, 167, 172, 175, 186, 188, 189, 140; 211/13, 32, 45, 49 R, 49 S, 87, 105.1, 106, 123, 129, 131, 163, 169, 181, 182

[56] References Cited

U.S. PATENT DOCUMENTS

D. 78,711	6/1929	McComb	D6/85
D. 103,079	2/1937	Jordheim	D6/85
D. 143,066	12/1945	Gallaher	D6/181
D. 239,224	3/1976	Guida	D6/20
D. 244,410	5/1977	Pietsch	D6/85

Primary Examiner—Wallace R. Burke

Assistant Examiner—B. J. Bullock

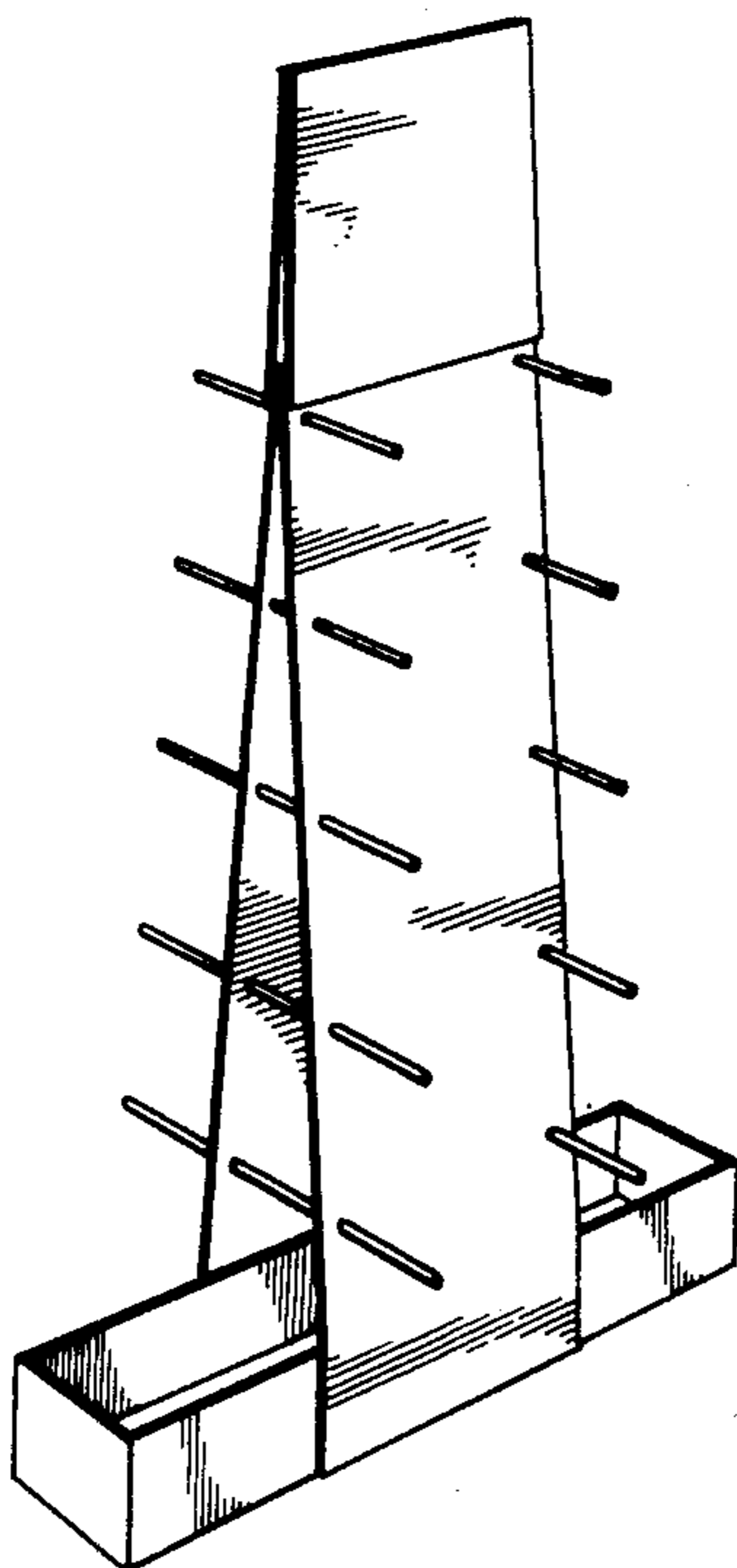
Attorney, Agent, or Firm—Edward Taylor Newton

[57] CLAIM

The ornamental design for a display rack, as shown.

DESCRIPTION

FIG. 1 is a reduced front perspective view of a display rack showing my new design; FIG. 2 is a top plan view thereof; FIG. 3 is a side elevational view taken from the right of FIG. 1, the side opposite being a mirror image thereof; FIG. 4 is a rear elevational view thereof.



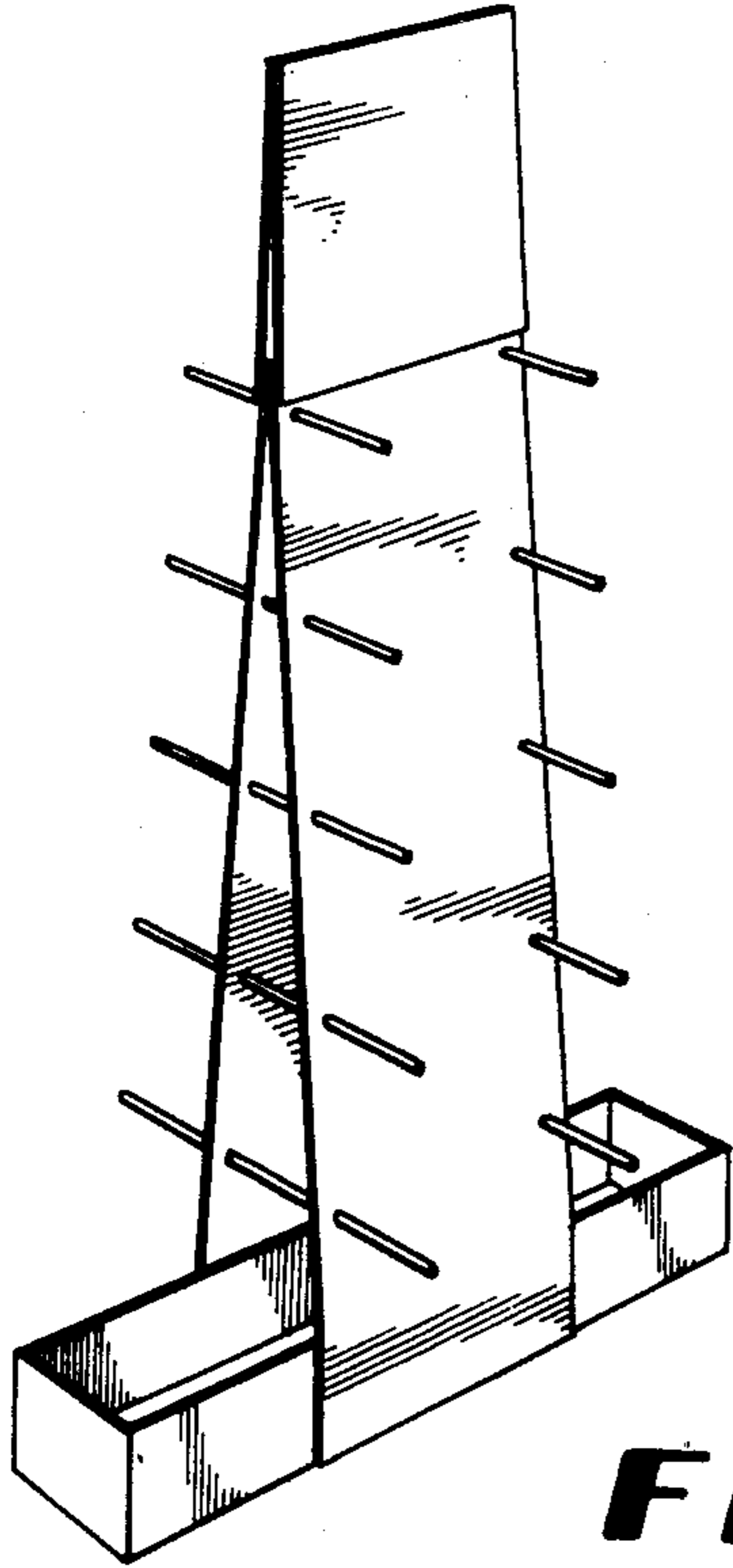


FIG 1

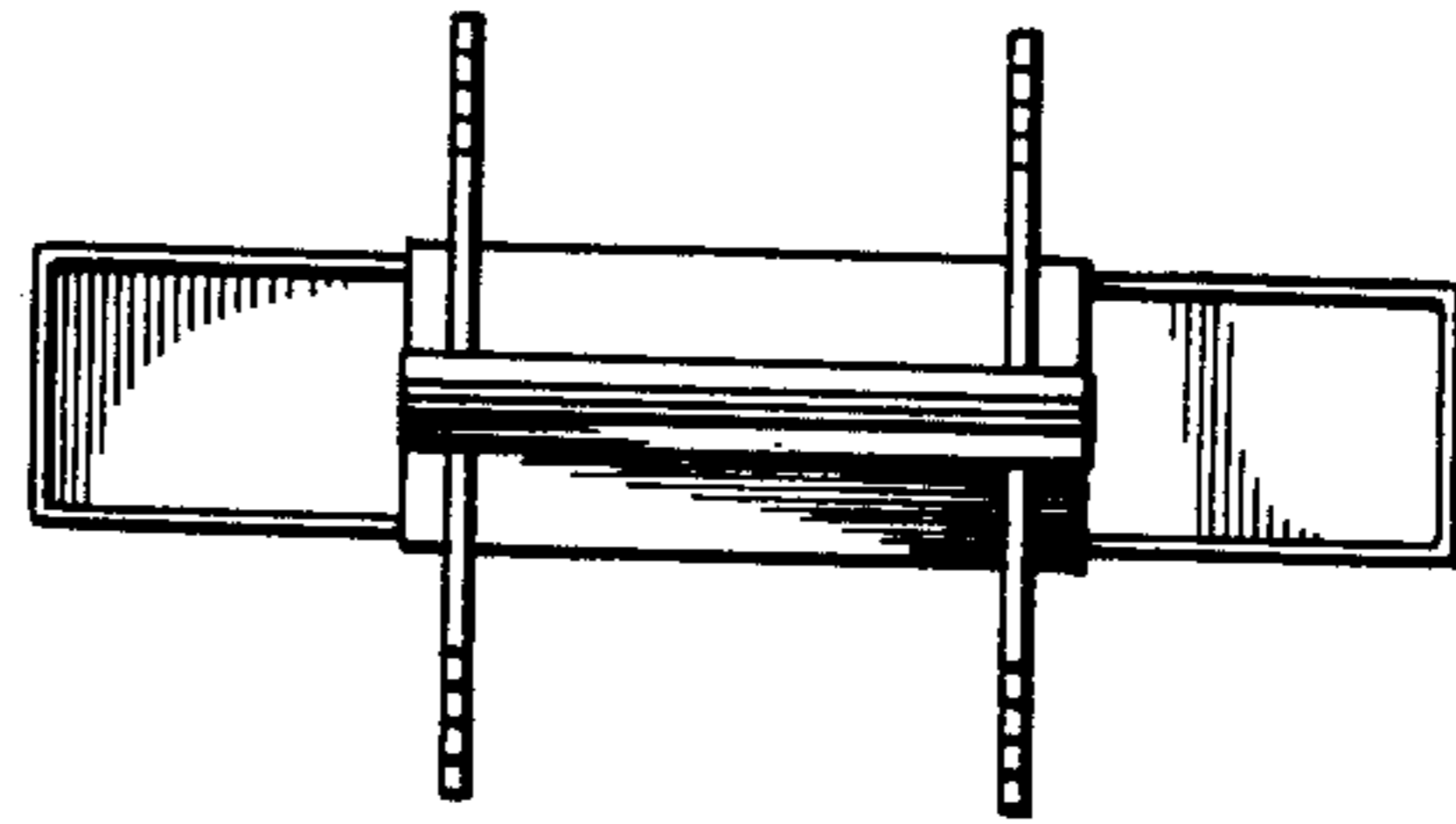


FIG 2

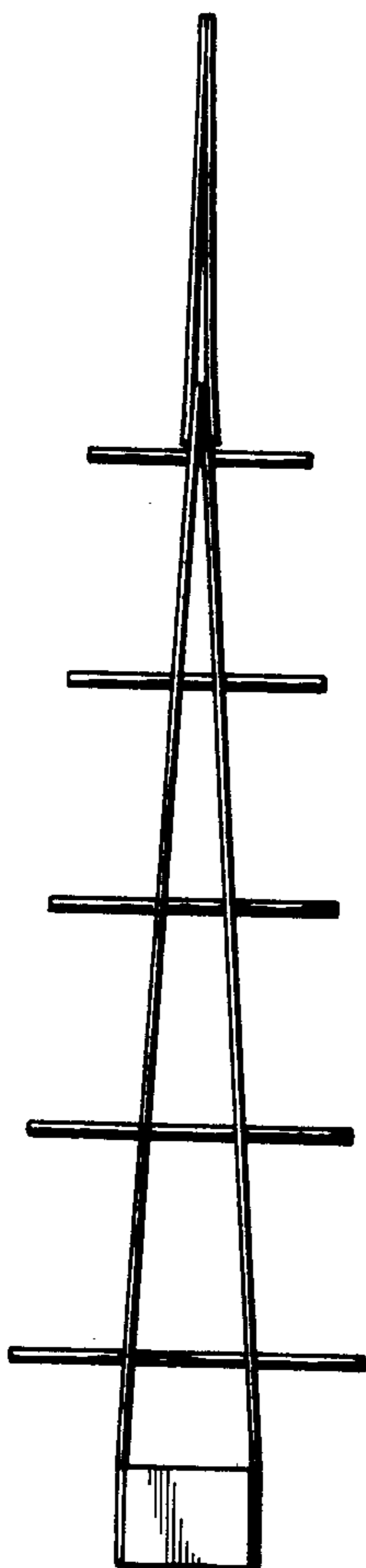


FIG 3

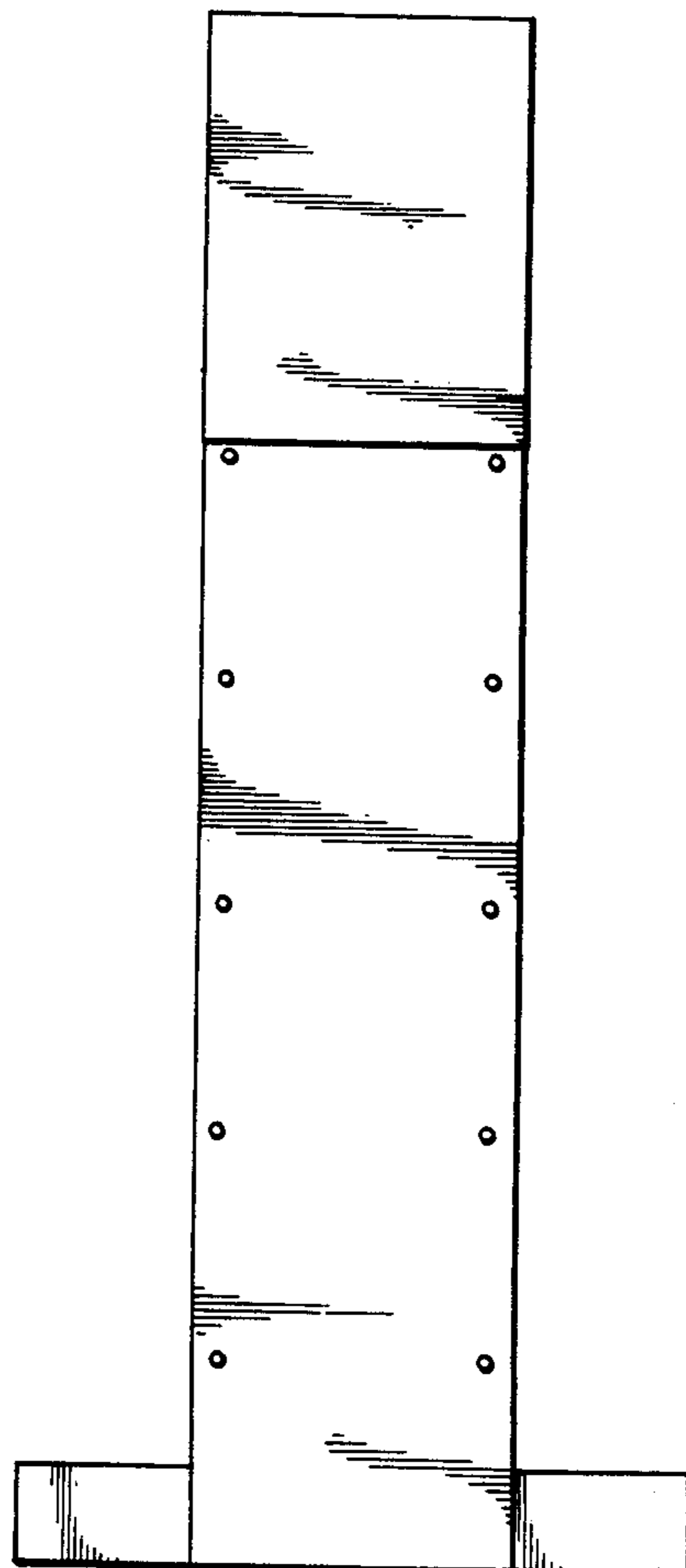


FIG 4