

[54] UPPER TORSO ATTACHABLE HARP OR THE LIKE

[76] Inventor: Walter Pinkins, Jr., 4240 N. Guilford Ave., Indianapolis, Ind. 46205

[**] Term: 14 Years

[21] Appl. No.: 745,526

[22] Filed: Nov. 29, 1976

[51] Int. Cl.² D17-03

[52] U.S. Cl. D56/1 A

[58] Field of Search D56/1 R, 1 A; 84/173, 84/290-292

[56] References Cited

U.S. PATENT DOCUMENTS

- D. 221,690 8/1971 Pelensky D56/1 A
- D. 229,096 11/1973 Shacklett D56/1 A
- 1,799,696 4/1931 Miller D56/1 A

FOREIGN PATENT DOCUMENTS

341,826 8/1904 France 84/173

OTHER PUBLICATIONS

Domus, 1-59, p. 55, top photo, left-most item.

Primary Examiner—Joel Stearman

Assistant Examiner—J. Corrigan

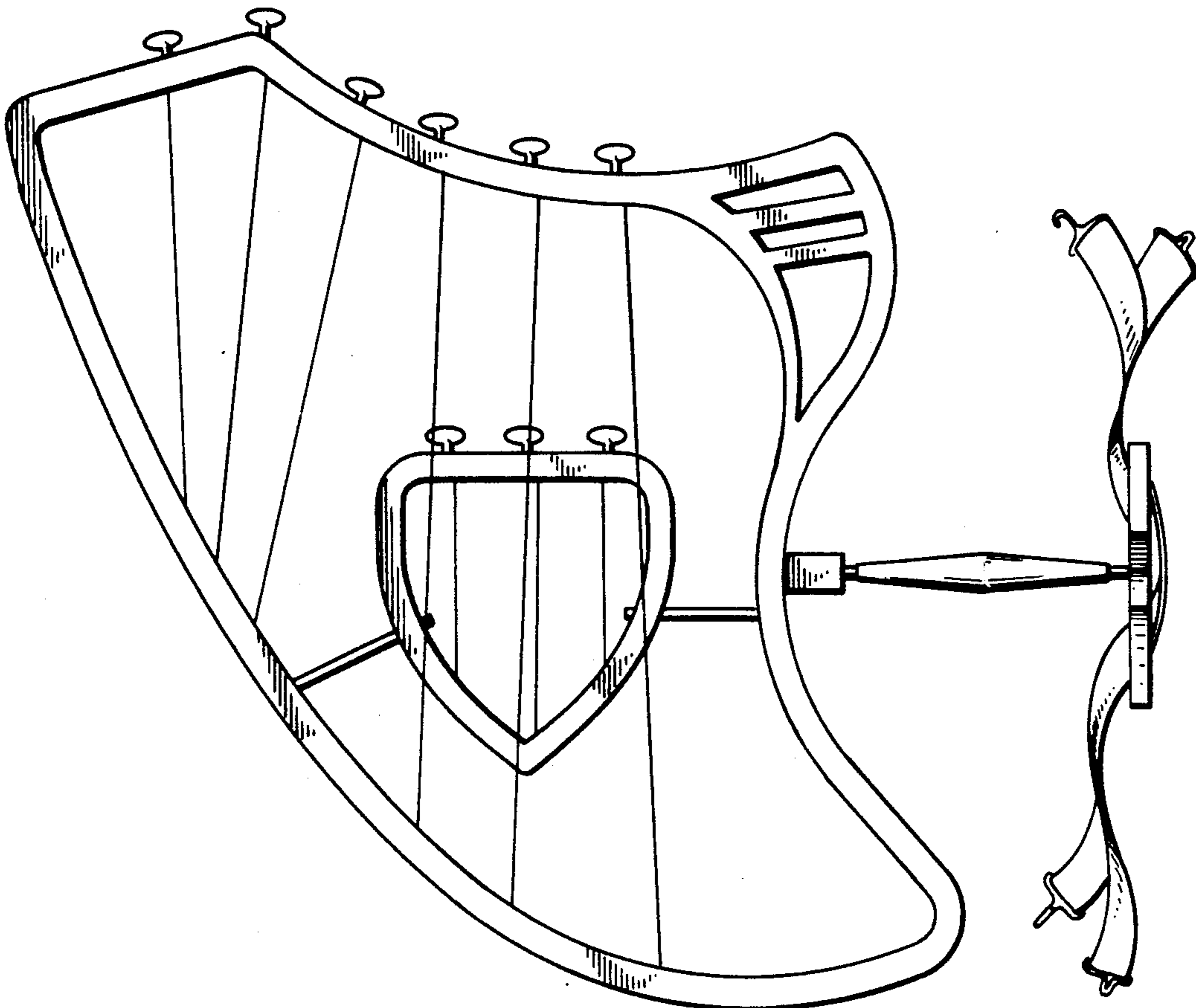
Attorney, Agent, or Firm—Harold R. Woodard

[57] CLAIM

The ornamental design for an upper torso attachable harp or the like, as shown and described.

DESCRIPTION

FIG. 1 is a front elevational view of an upper torso attachable harp or the like showing my new design; FIG. 2 is a rear elevational view; FIG. 3 is a left side elevational view; FIG. 4 is a right side elevational view; FIG. 5 is a top plan view; and FIG. 6 is a bottom plan view.



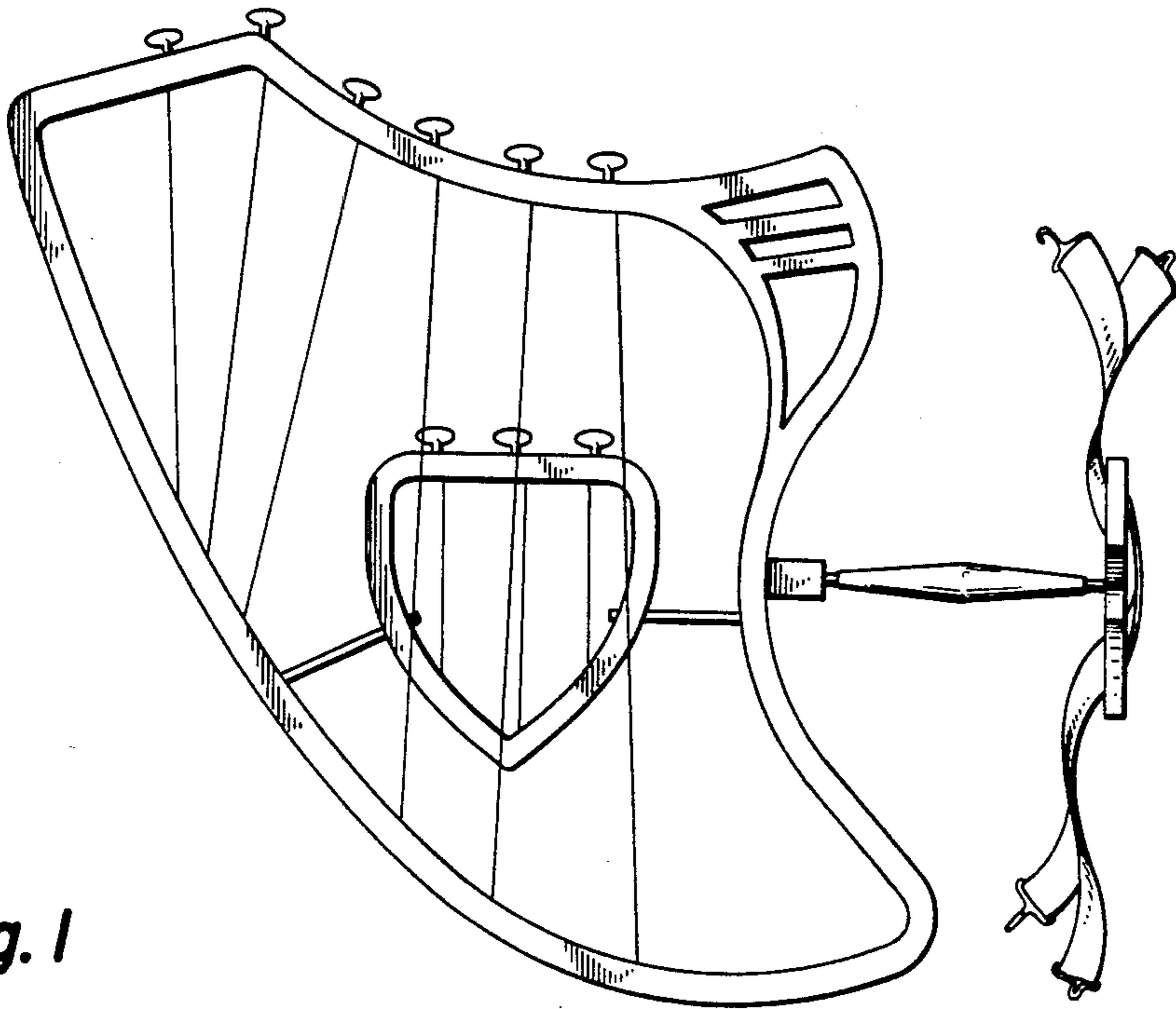


Fig. 1

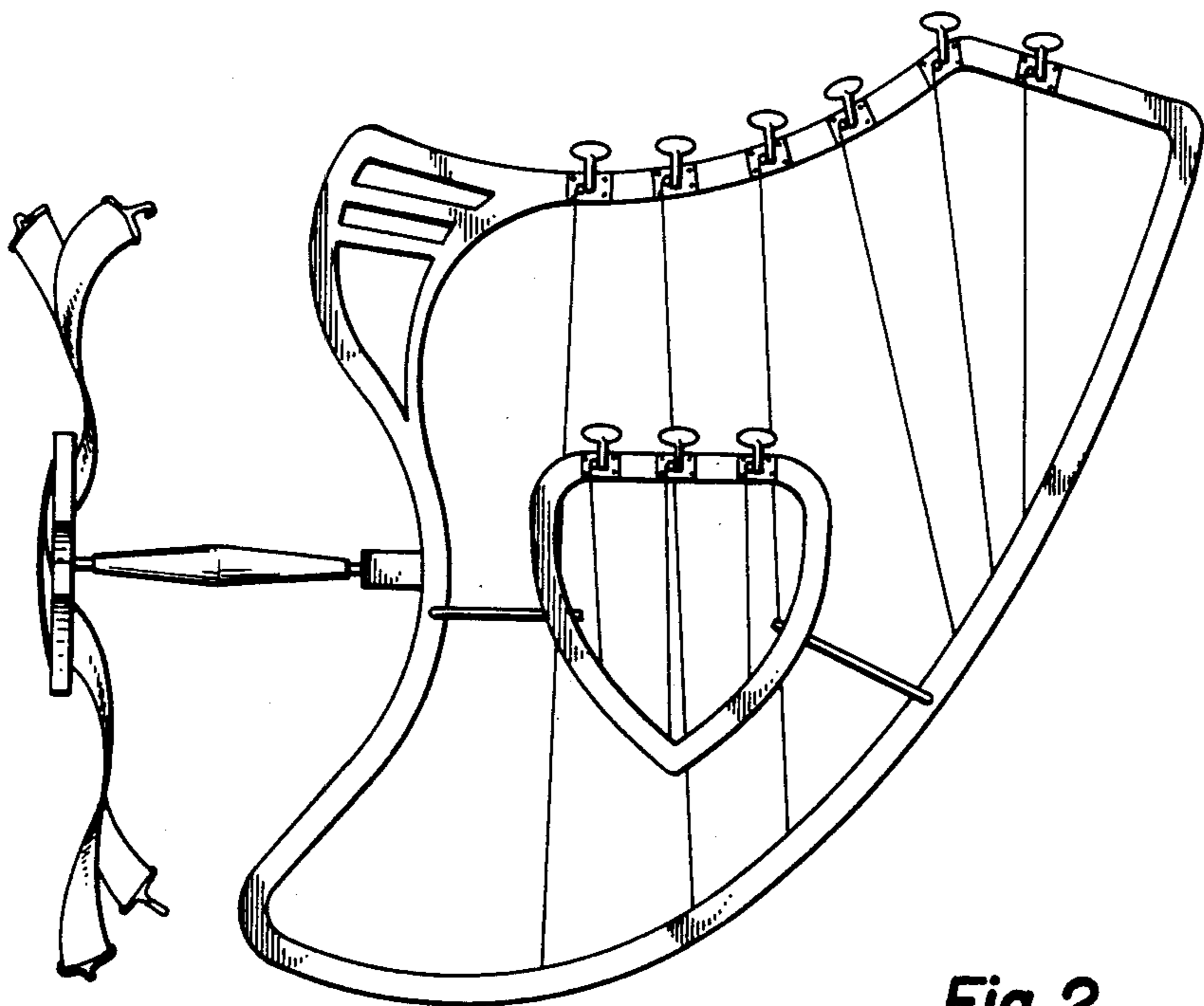


Fig. 2

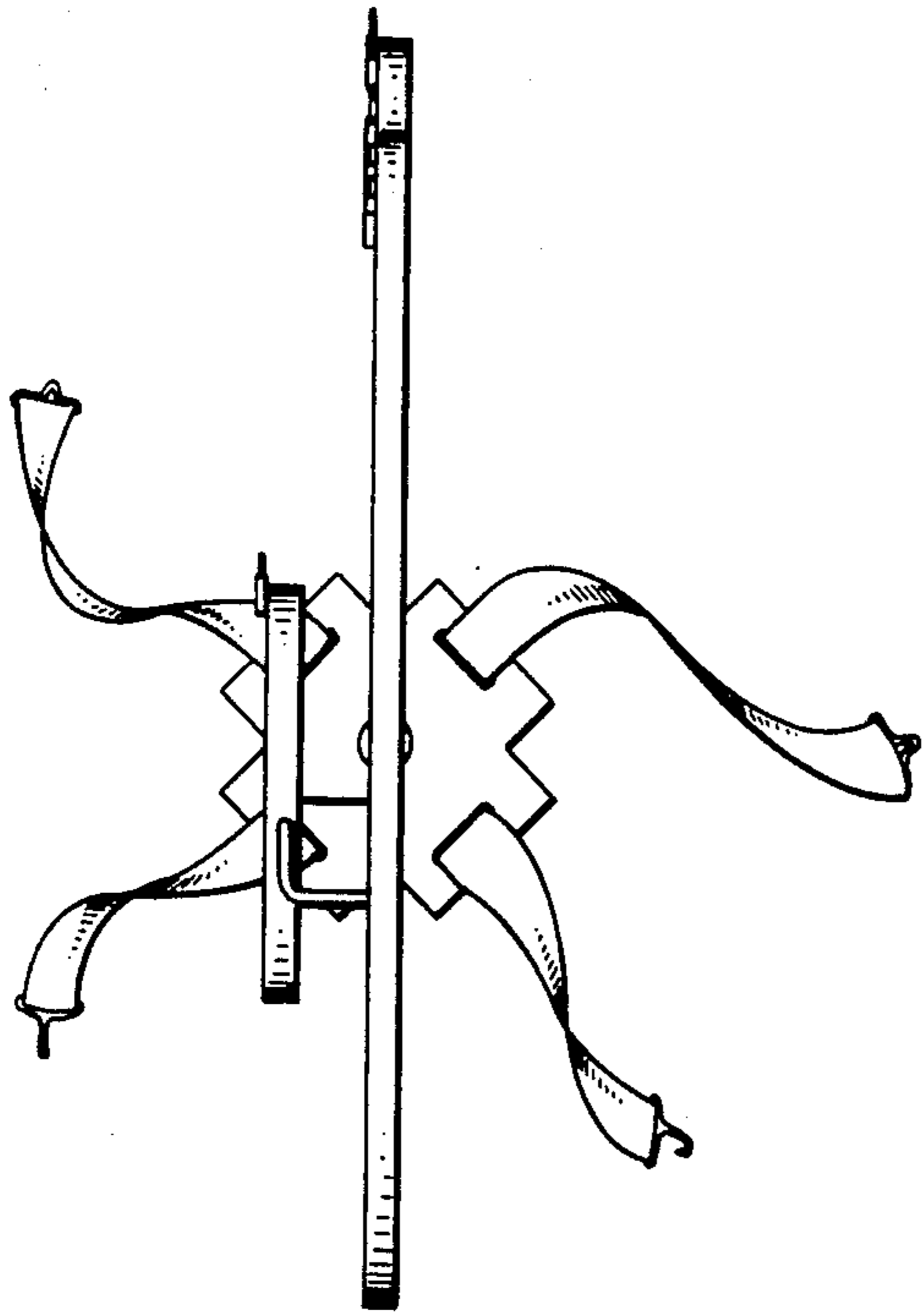


Fig. 3

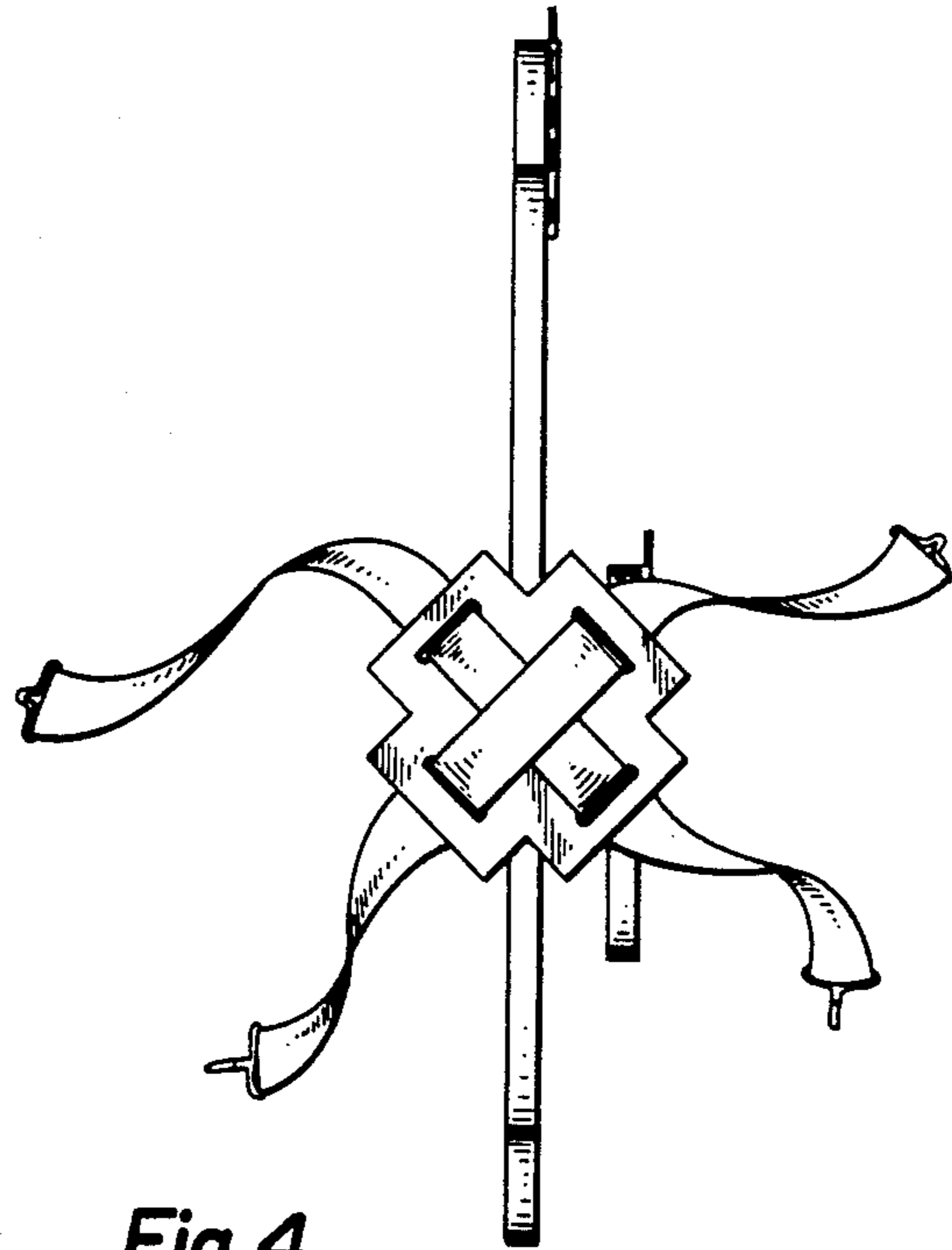


Fig. 4

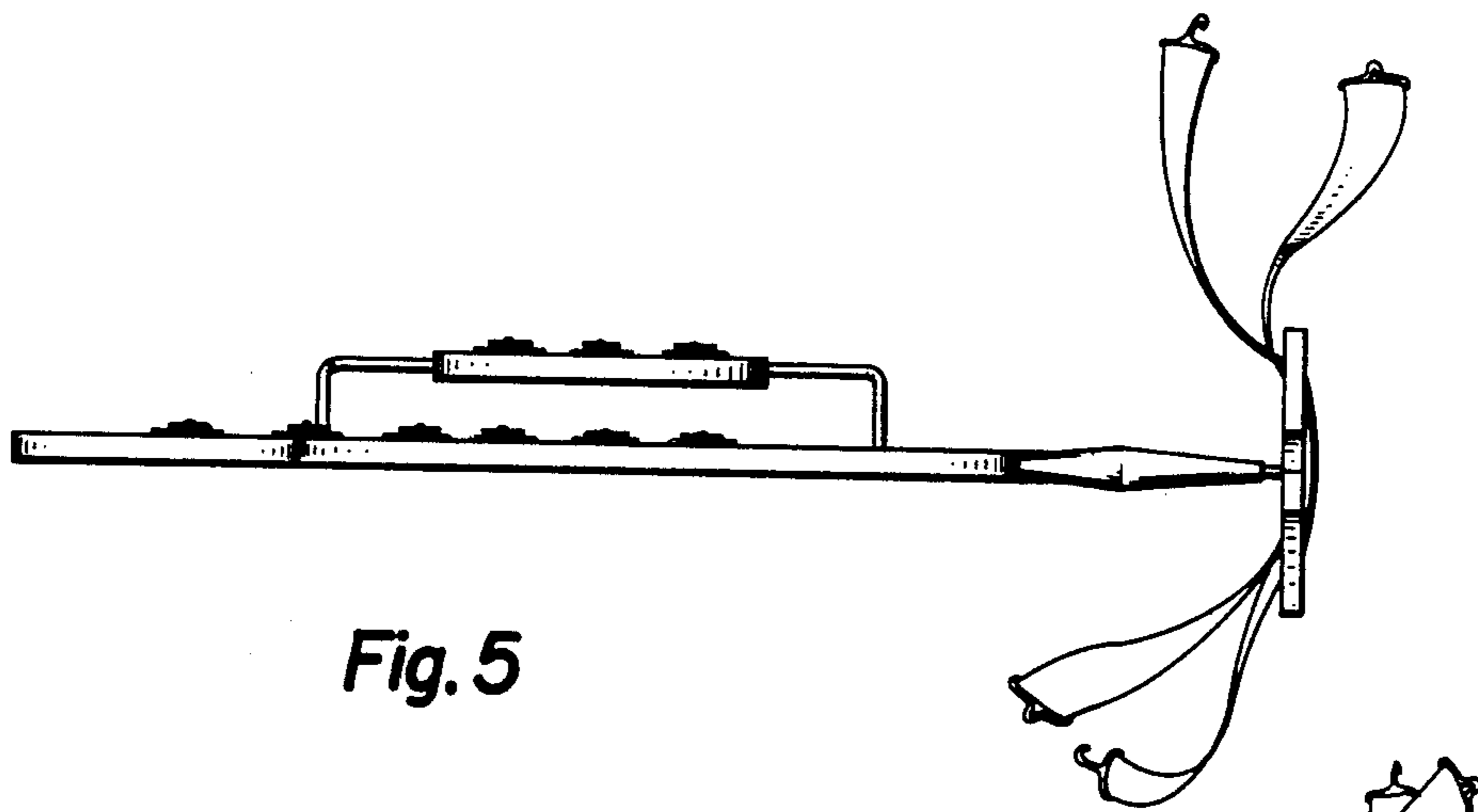


Fig. 5

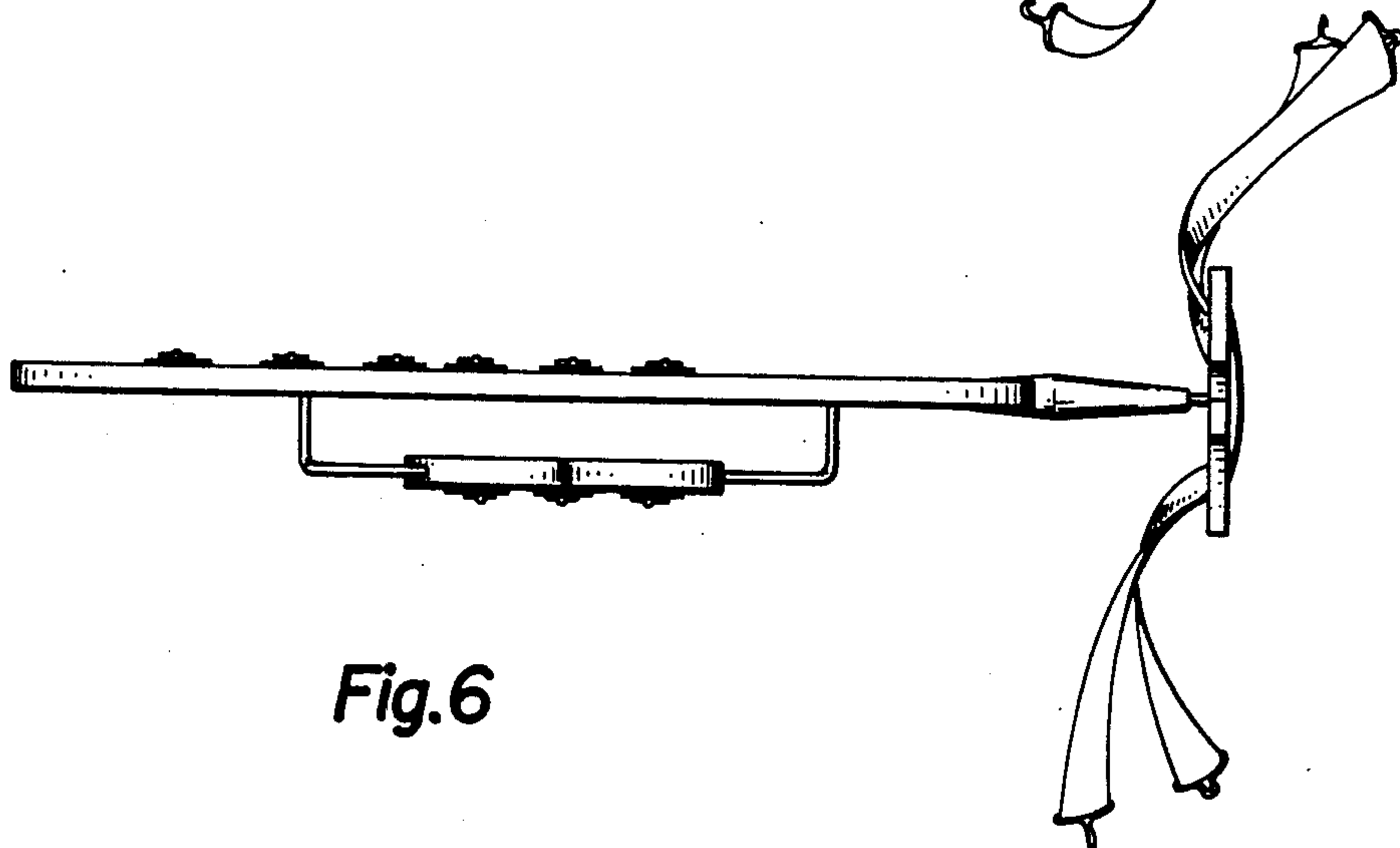


Fig. 6