

[54] DESK LAMP

[75] Inventors: Shoji Ishikawa, Nara; Tadahisa Hatogai, Neyagawa; Osamu Harada, Minou; Etsuko Kubota, Osaka, all of Japan

[73] Assignee: Matsushita Electric Industrial Co., Ltd., Kadoma, Japan

[\*\*] Term: 14 Years

[21] Appl. No.: 793,912

[22] Filed: May 4, 1977

[30] Foreign Application Priority Data

Dec. 7, 1976 [JP] Japan ..... 51-47886

[51] Int. Cl. .... D26-05

[52] U.S. Cl. .... D48/20 F

[58] Field of Search ..... D48/20 R, 20 F, 20 G; 362/410, 411, 412, 413, 414

[56] References Cited

FOREIGN PATENT DOCUMENTS

210,840 5/1962 Japan ..... D48/20 F

OTHER PUBLICATIONS

Bell & Co., Gift Catalog, 9-1976, p. 231, Desk Lamp #5.

Industrial Design 10-1969, p. 33, Desk Lamp #18.

Light & Lighting 7-1970, p. 194, Lamp #2.

Primary Examiner—Susan J. Lucas

Attorney, Agent, or Firm—Richard C. Sughrue

[57] CLAIM

The ornamental design for a desk lamp, as shown.

DESCRIPTION

FIG. 1 is a front, top and right side perspective view of a desk lamp showing our new design;

FIG. 2 is a bottom, rear and left side perspective view;

FIG. 3 is a right side view;

FIG. 4 is a top plan view; and

FIG. 5 is a bottom plan view thereof.

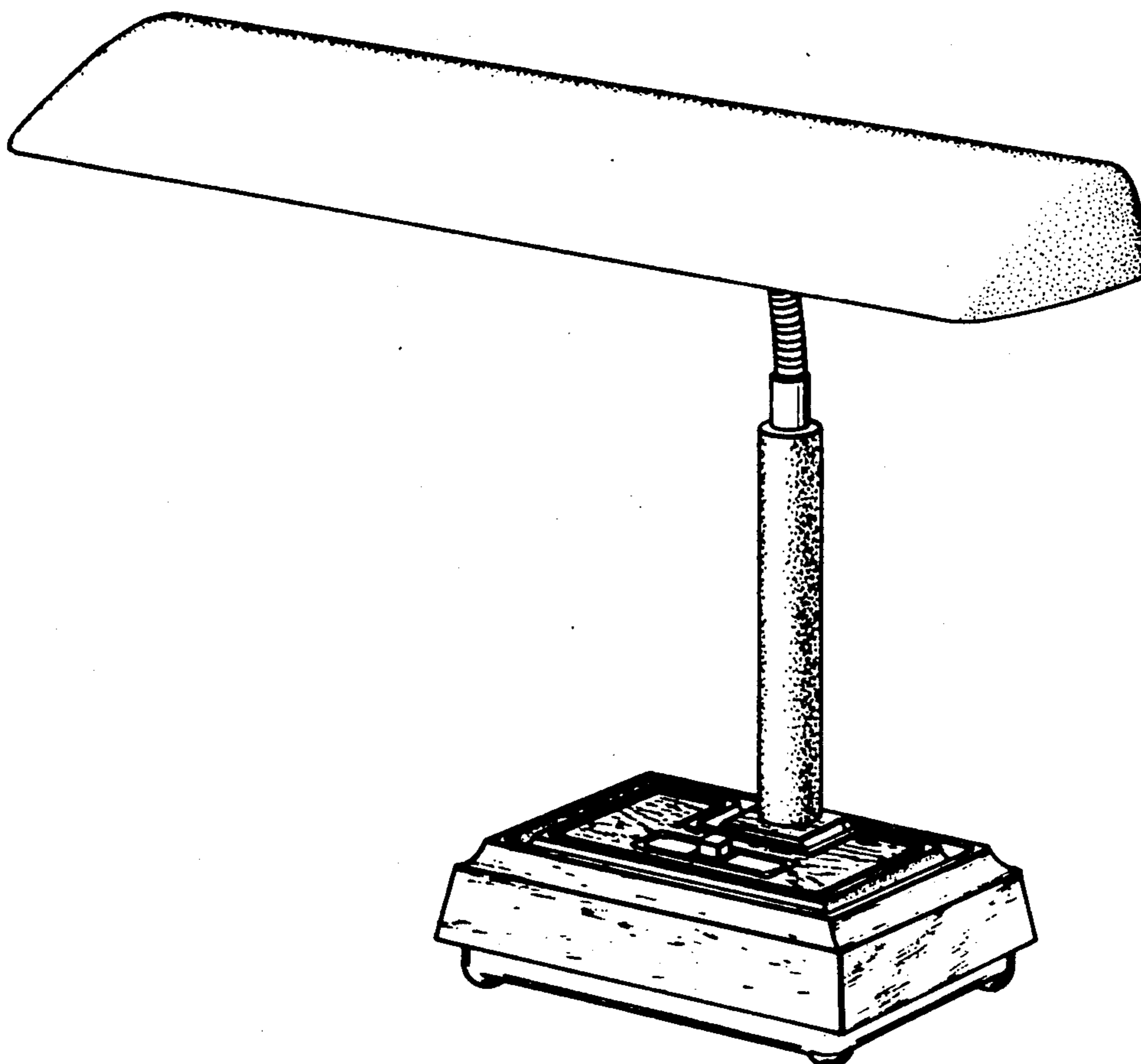


FIG. 1

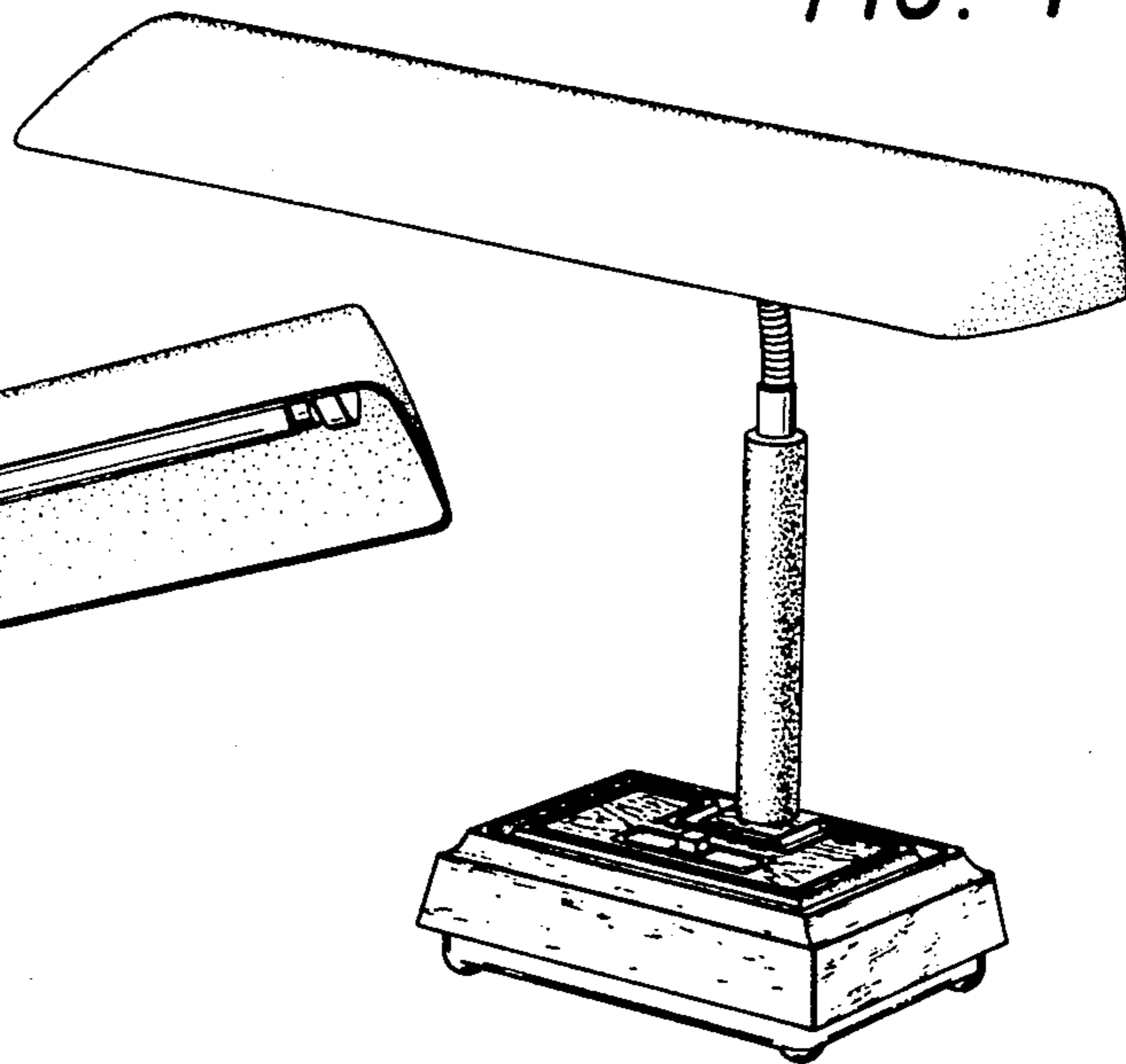


FIG. 2

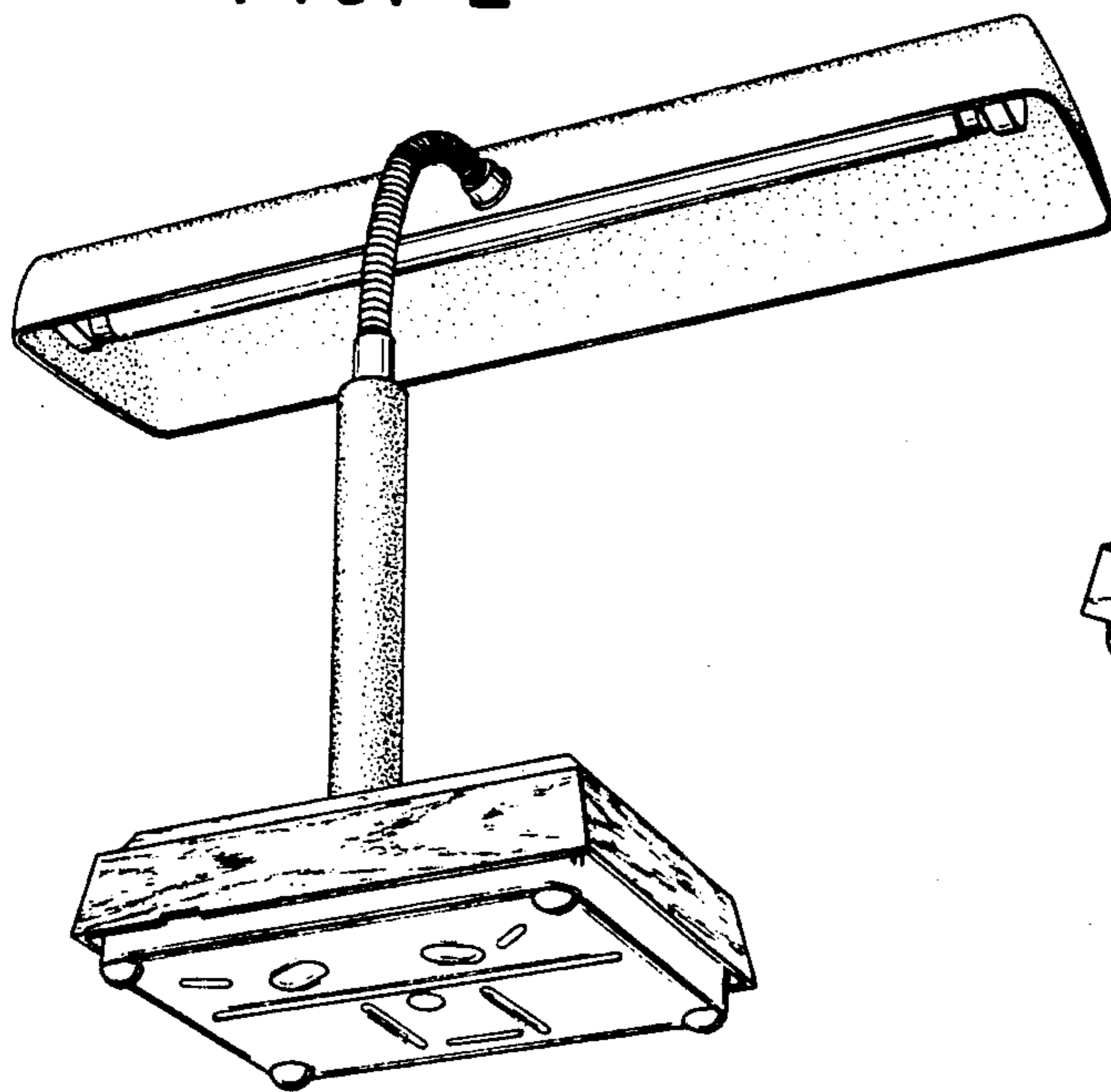


FIG. 3

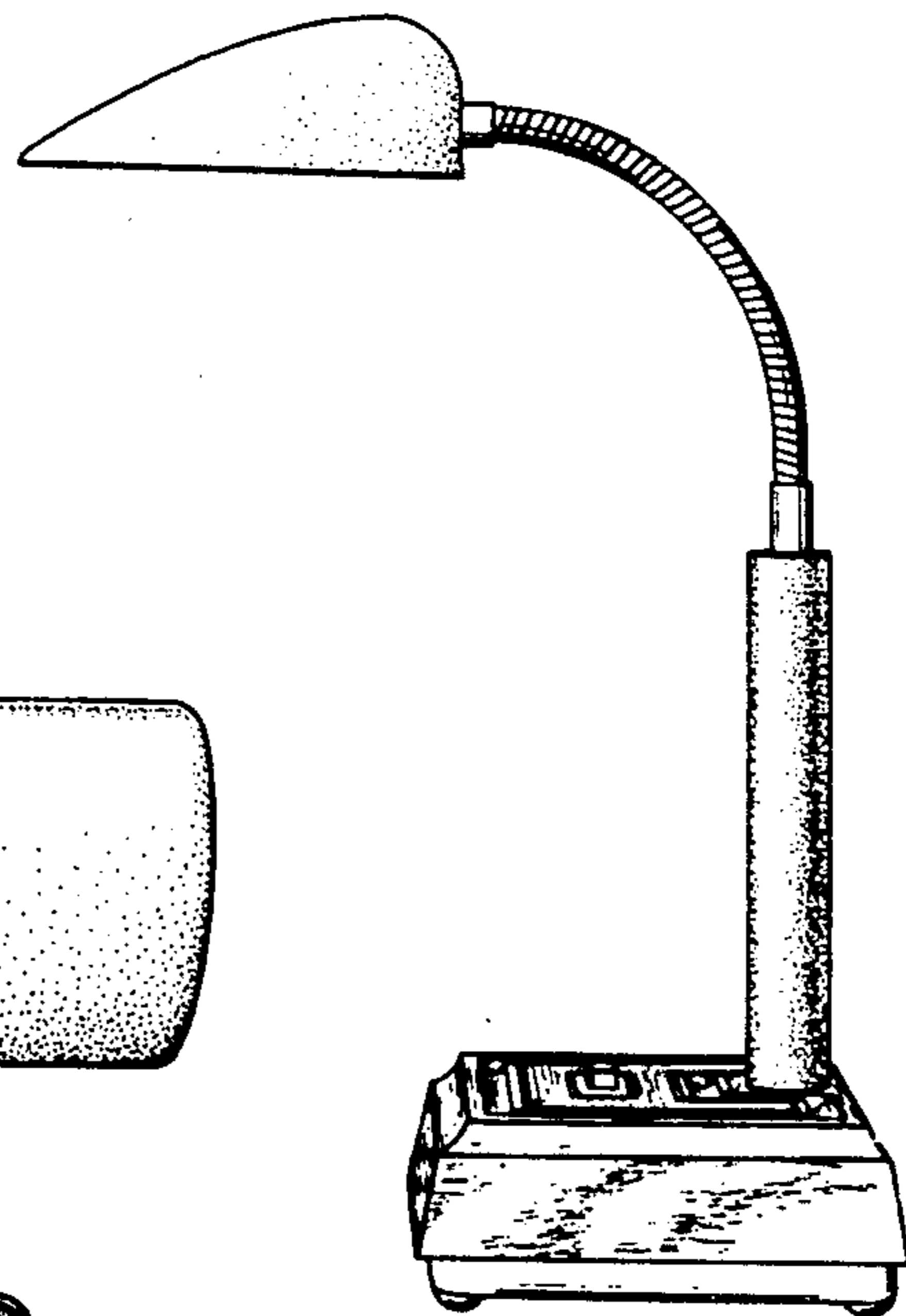


FIG. 4

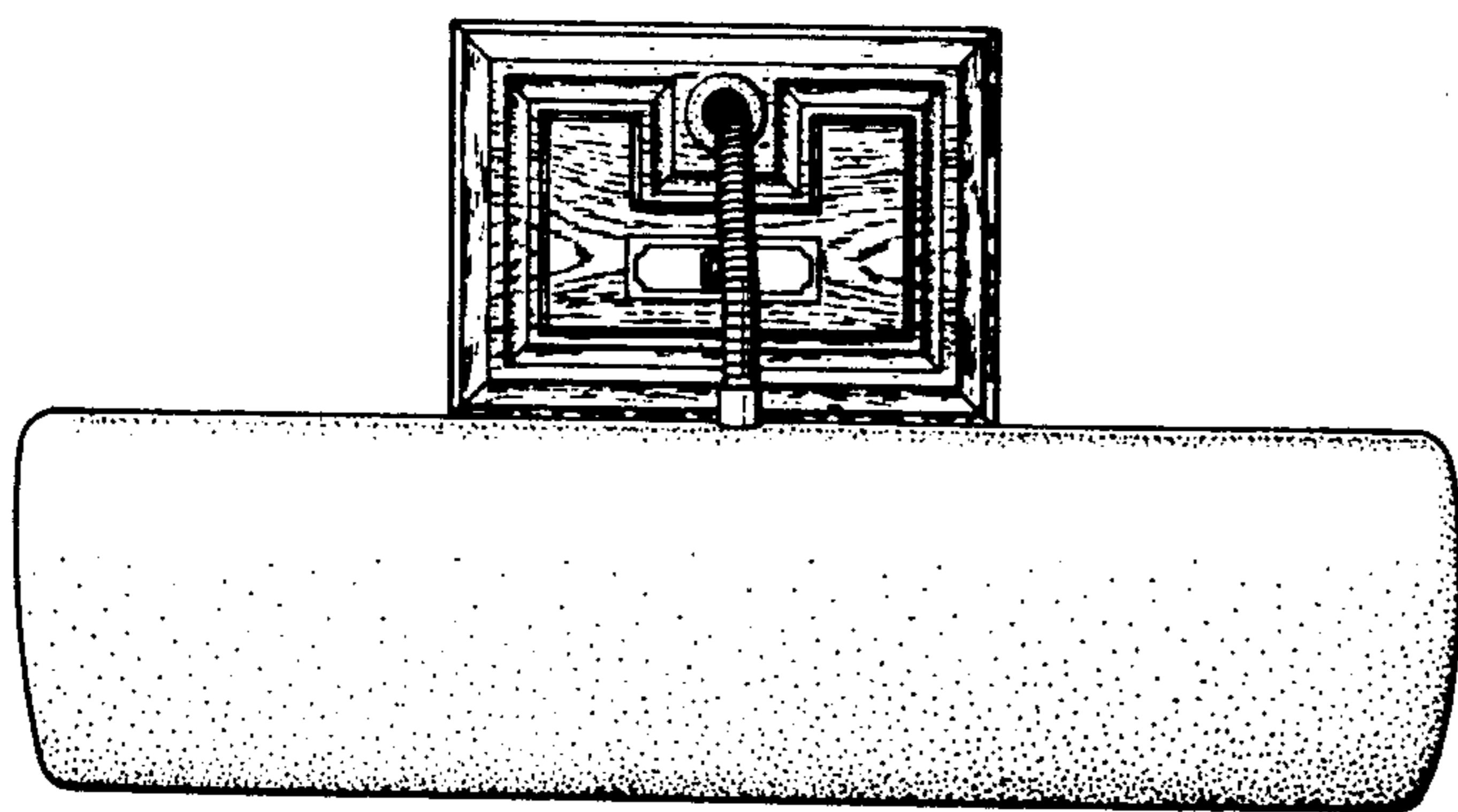


FIG. 5

