

[54] TOY AUTO RACEWAY

[75] Inventor: Larry R. Burcham, Hendersonville, Tenn.

[73] Assignee: Kusan, Inc., Nashville, Tenn.

[**] Term: 14 Years

[21] Appl. No.: 680,331

[22] Filed: May 3, 1976

[51] Int. Cl. D21-01

[52] U.S. Cl. D34/15 K

[58] Field of Search D34/15 R, 15 K, 15 MM; 46/216, 203, 1 K, 43; 104/60

[56] References Cited

U.S. PATENT DOCUMENTS

D. 203,937 3/1966 Dunbar D34/15 K

D. 233,620 11/1974 Seki D34/15 K
2,726,869 12/1955 Schulte D34/15 K
3,865,227 2/1975 Kaak D34/15 K

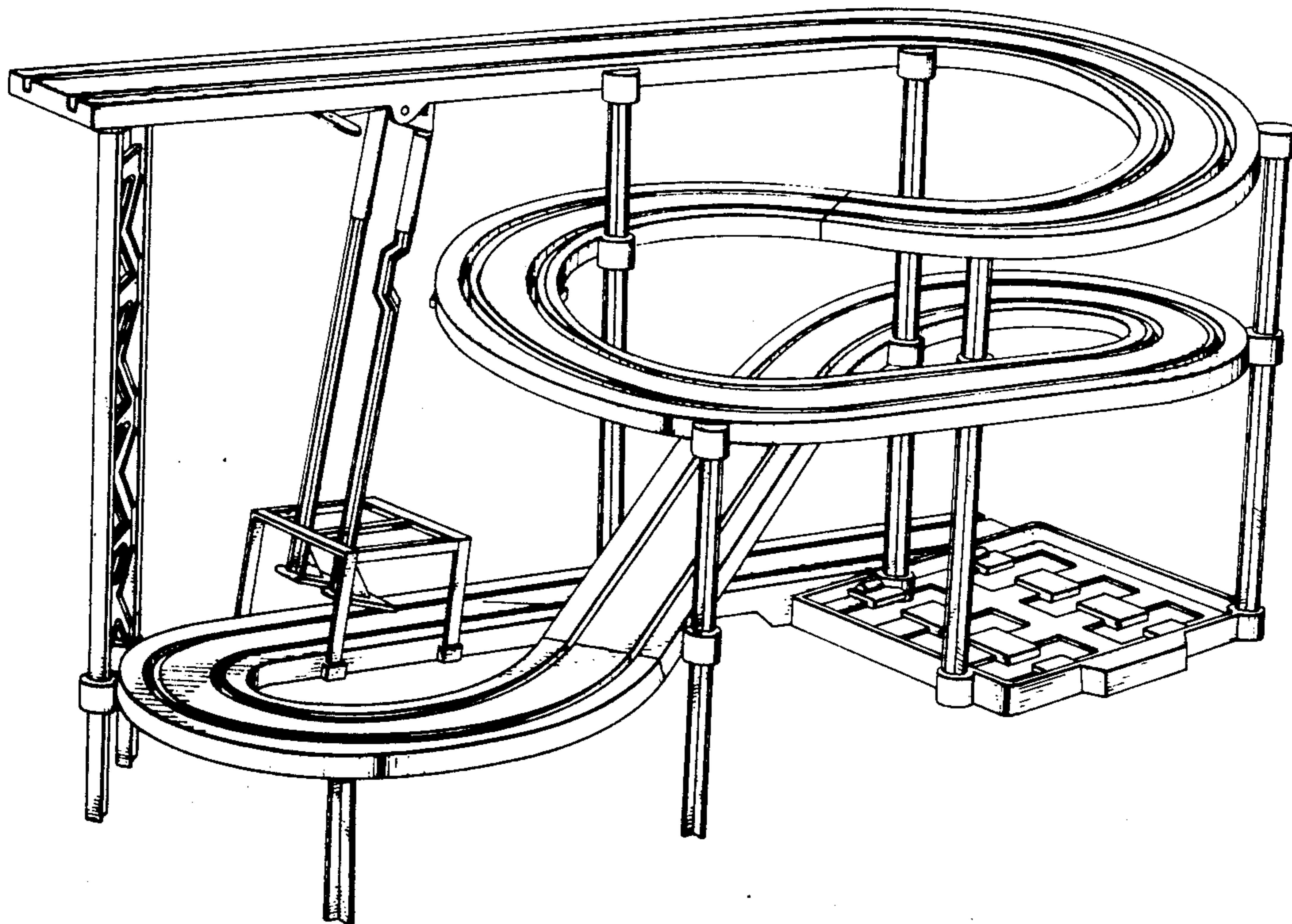
Primary Examiner—Joel Stearman
Assistant Examiner—C. A. Rademaker
Attorney, Agent, or Firm—Raymond N. Matson

[57] CLAIM

The ornamental design for toy auto raceway, as shown.

DESCRIPTION

FIG. 1 is a perspective view of a toy auto raceway, showing my new design;
FIG. 2 is a front elevational view thereof;
FIG. 3 is a rear elevational view thereof;
FIG. 4 is a side elevational view thereof;
FIG. 5 is an elevational view of the other side thereof; and
FIG. 6 is a top plan view thereof.



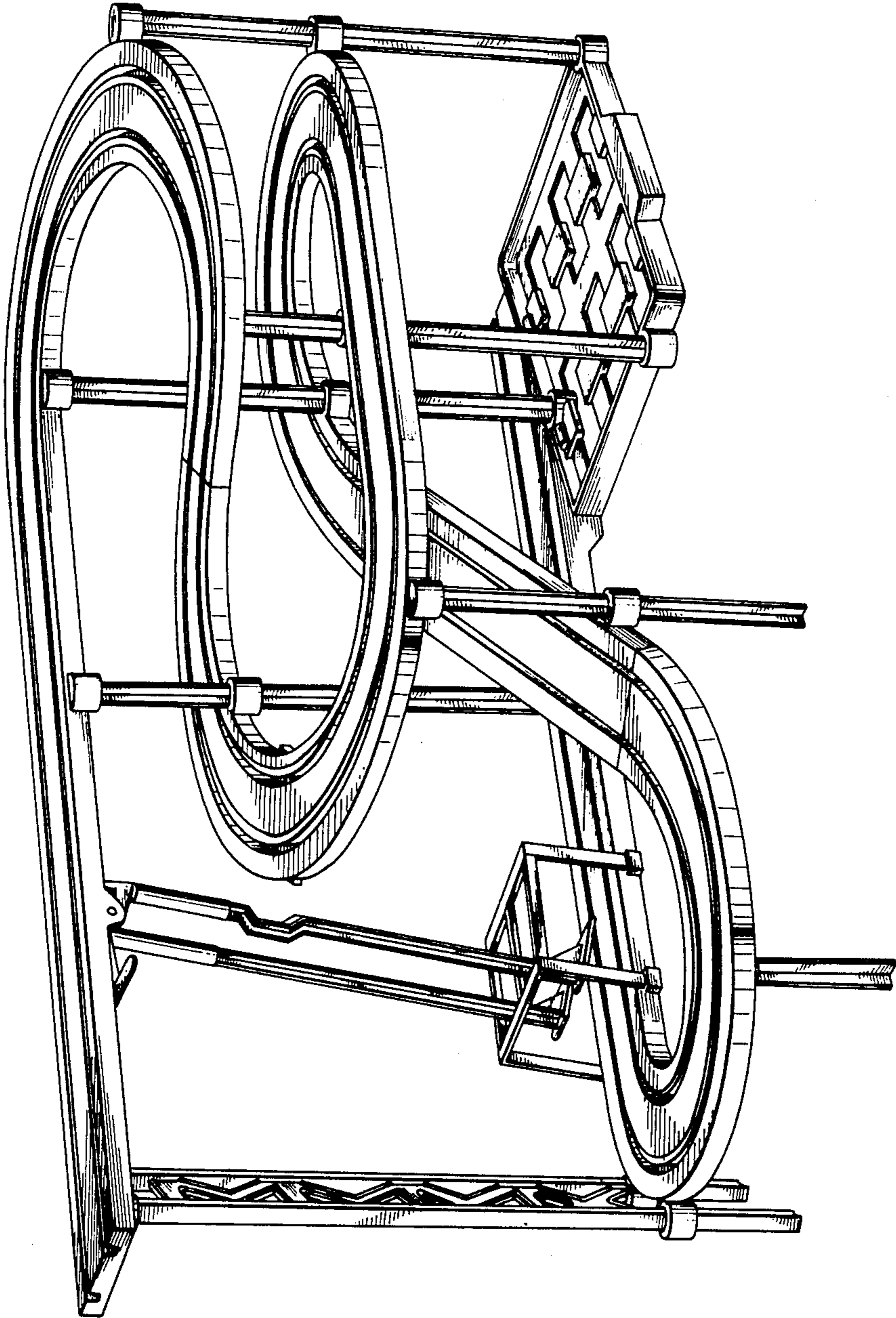


FIG. 1

FIG. 2

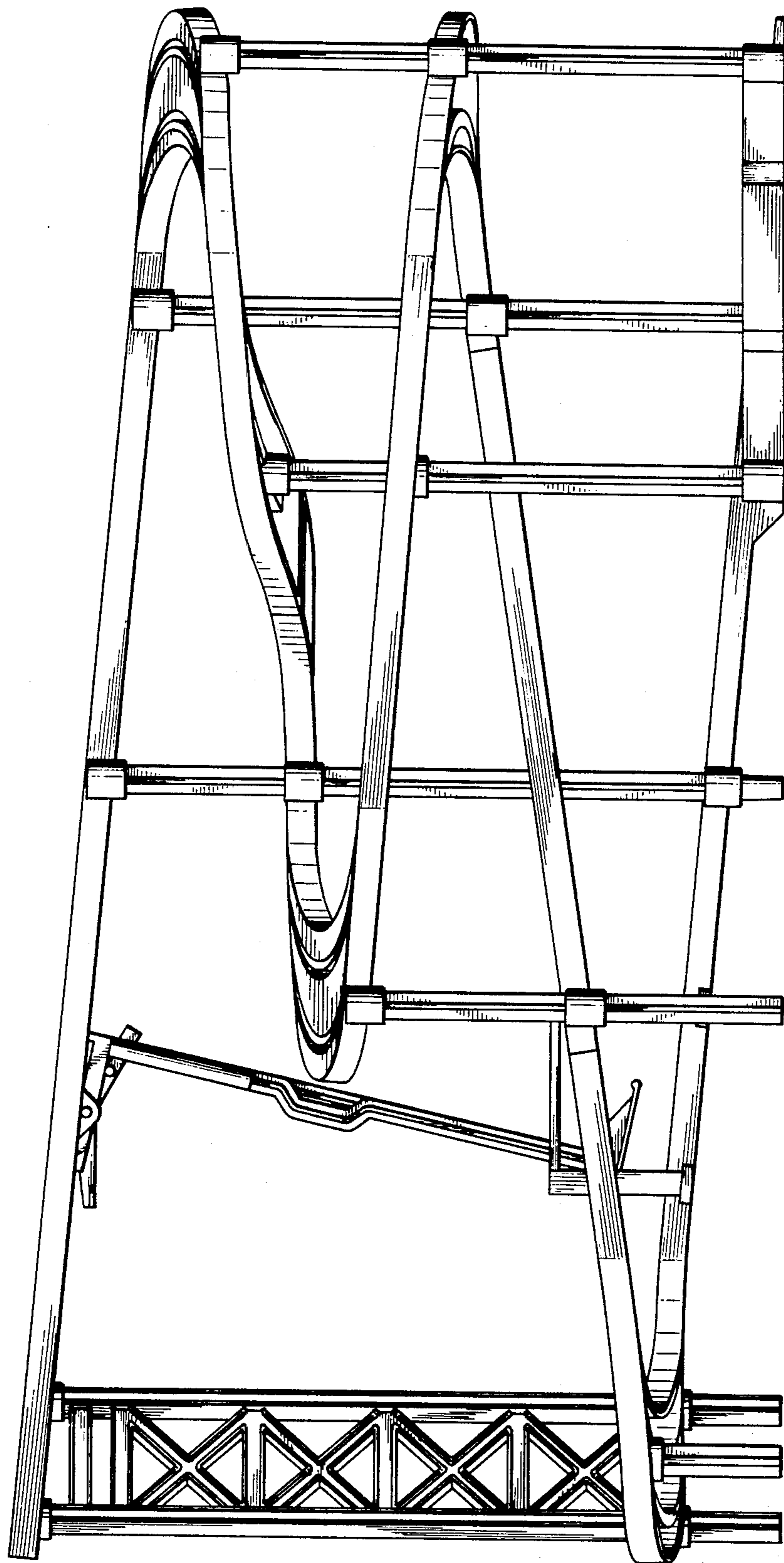
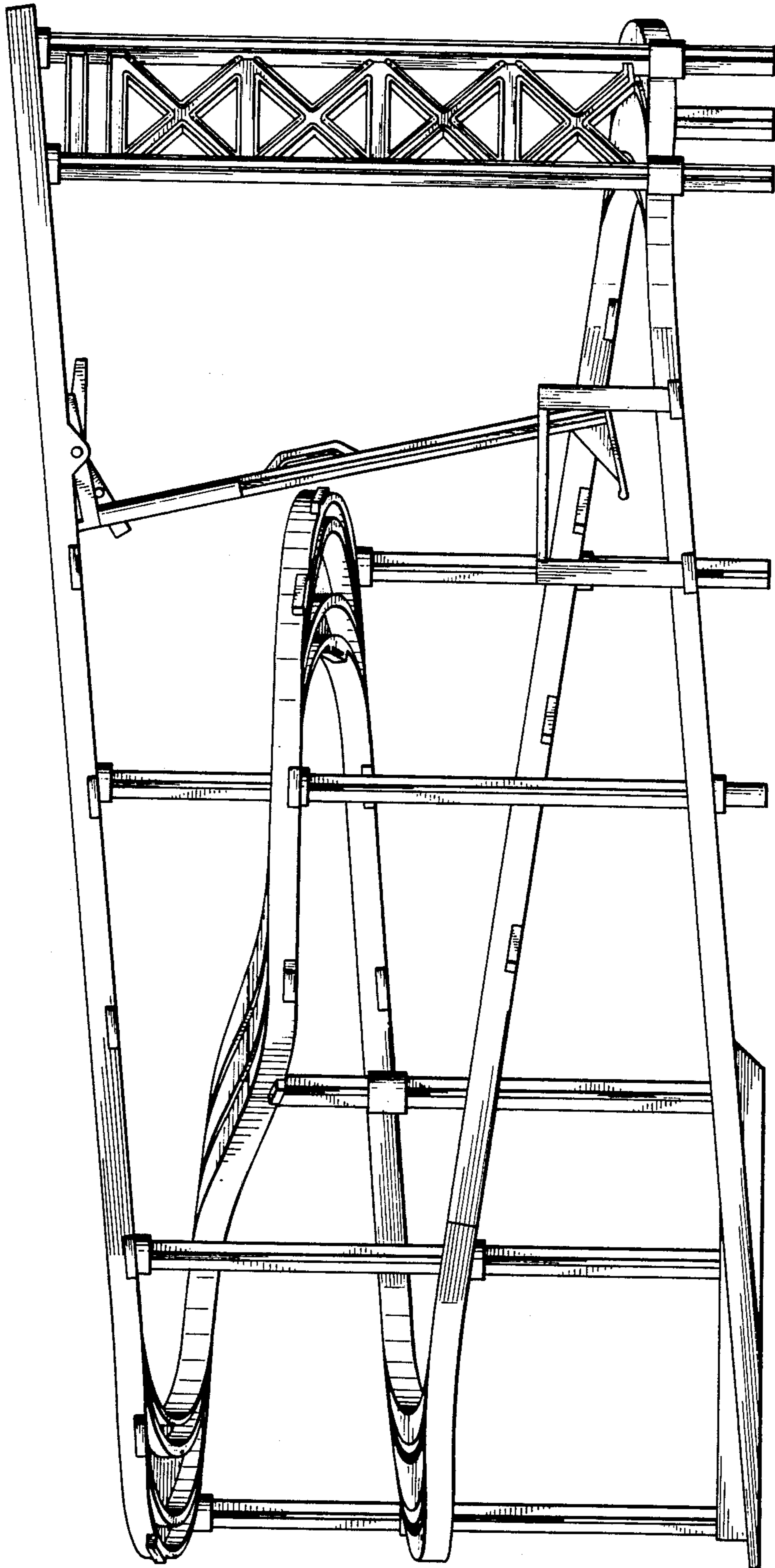


FIG. 3



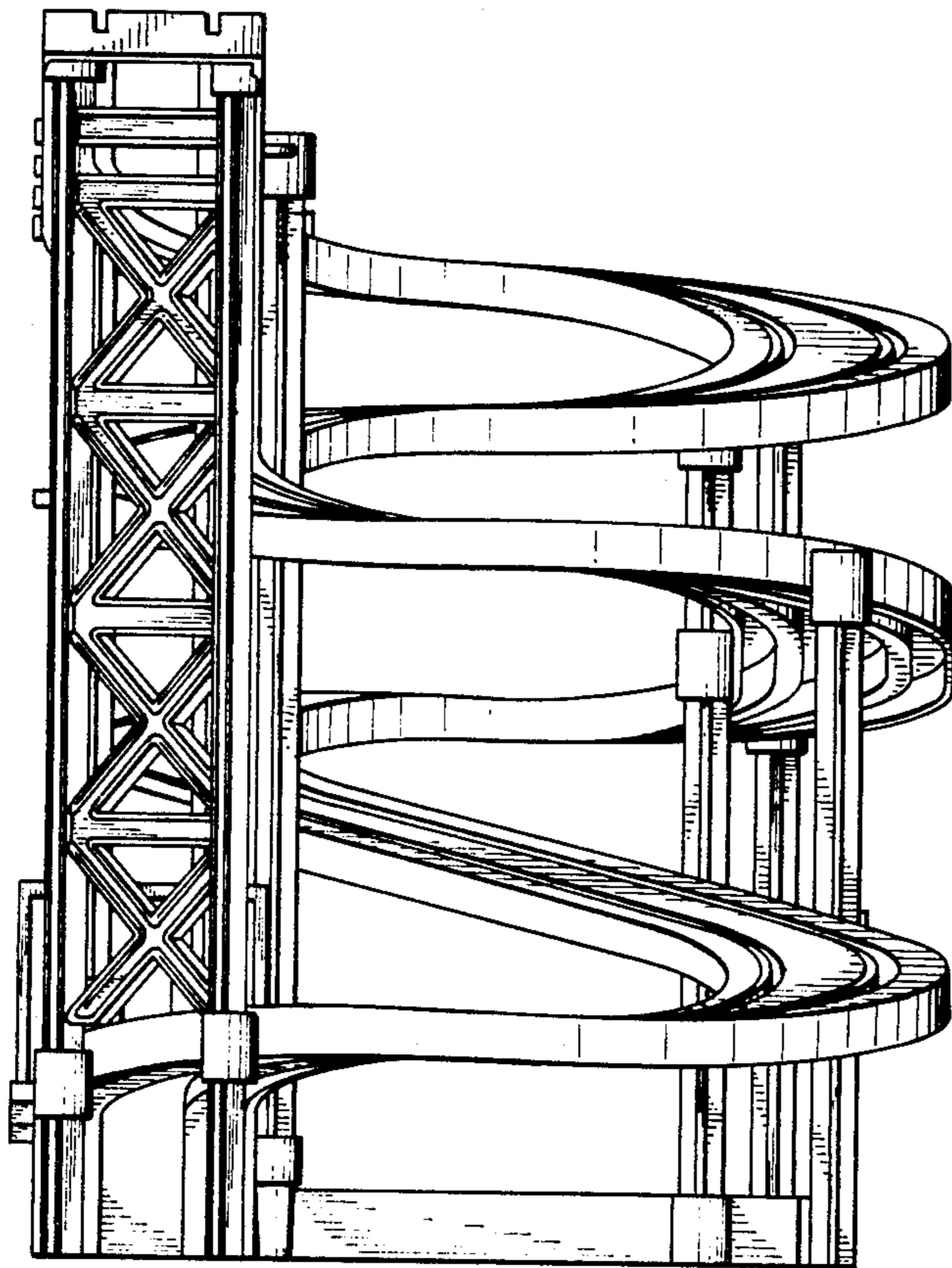


FIG. 4

FIG. 5

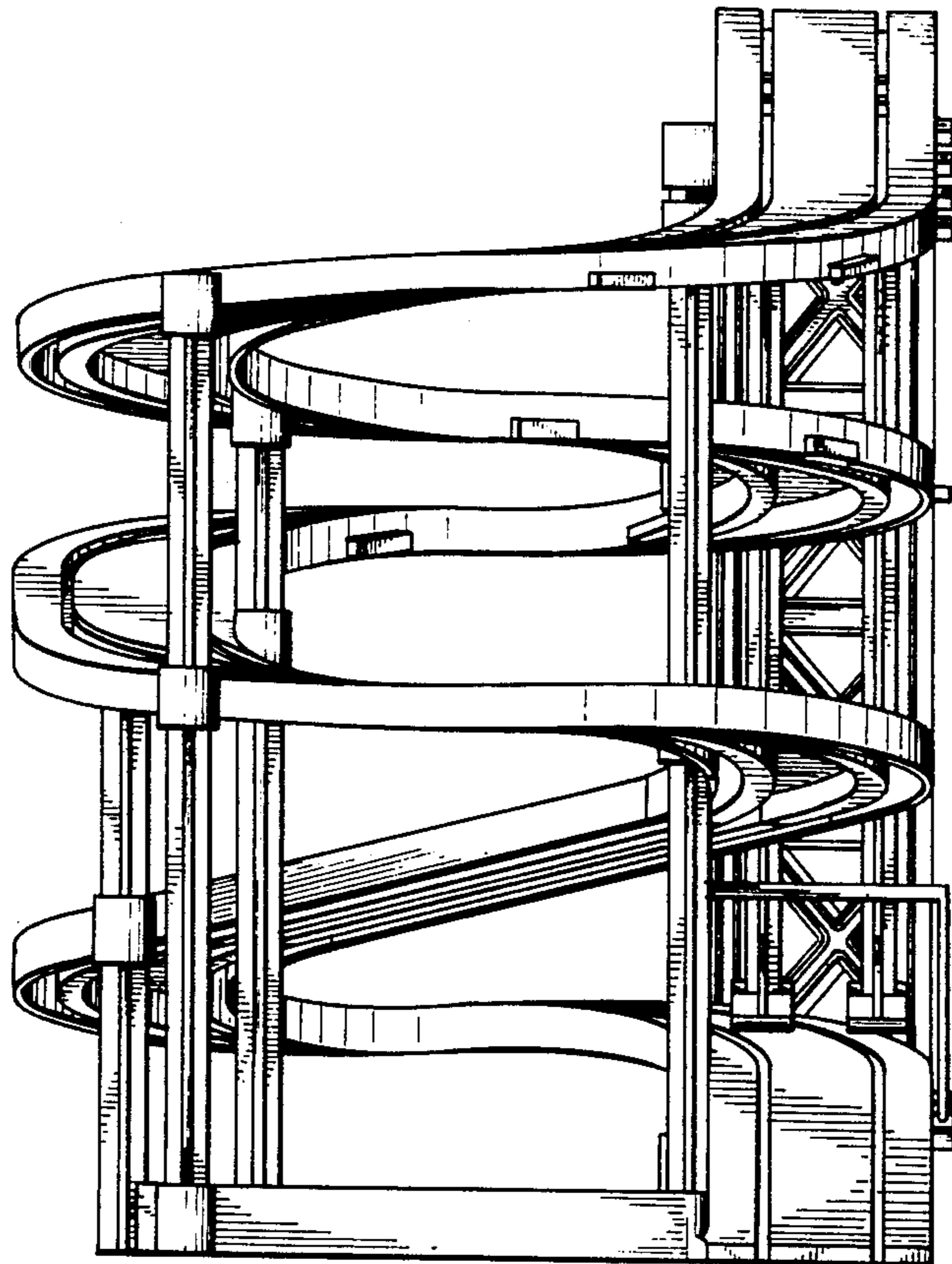


FIG. 6

