

[54] BALL PROJECTOR BATTING AID

[76] Inventor: Theodore M. Strout, 24 Sharon La., Wethersfield, Conn. 06109

[**] Term: 14 Years

[21] Appl. No.: 723,452

[22] Filed: Sep. 15, 1976

[51] Int. Cl. D21-02

[52] U.S. Cl. D34/5 R; D34/15 PP

[58] Field of Search D34/5 R, 15 PP; 273/26 R; 124/79, 16, 6, 5, 36, 41 R

[56] References Cited

U.S. PATENT DOCUMENTS

| | | | |
|-----------|---------|-------------|----------|
| 1,525,588 | 2/1925 | Moore | 124/79 |
| 2,705,003 | 3/1955 | Schensted | 273/26 R |
| 3,545,752 | 12/1970 | Hill et al. | 273/26 R |
| 3,794,325 | 2/1974 | Stender | 124/36 |

Primary Examiner—Melvin B. Feifer
Attorney, Agent, or Firm—Theodore R. Paulding

[57] CLAIM

The ornamental design for a ball projector batting aid, as shown and described.

DESCRIPTION

FIG. 1 is a side elevation of a ball projector batting aid with a support member folded to a storage position showing my new design.

FIG. 2 is a top view of a ball projector batting aid with the support member folded to the storage position.

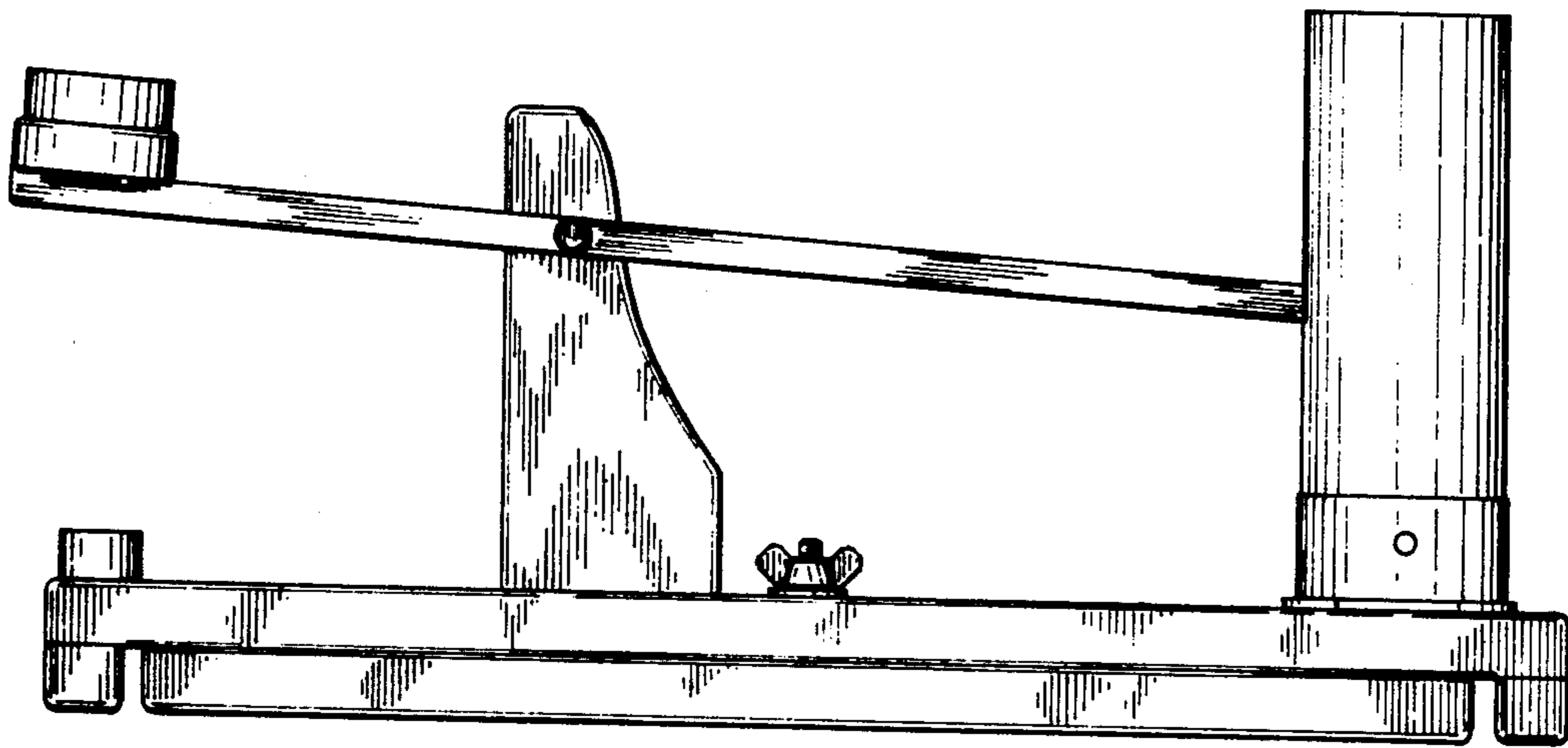
FIG. 3 is a bottom view of a ball projector batting aid with the support member folded to the storage position.

FIG. 4 is a right hand end view of a ball projector batting aid with the support member folded to the storage position.

FIG. 5 is a left hand end view of a ball projector batting aid with the support member folded to the storage position.

FIG. 6 is a side elevation of a ball projector batting aid with the support member extended in operative position.

FIG. 7 is a bottom view of a ball projector batting aid with the support member extended in operative position.



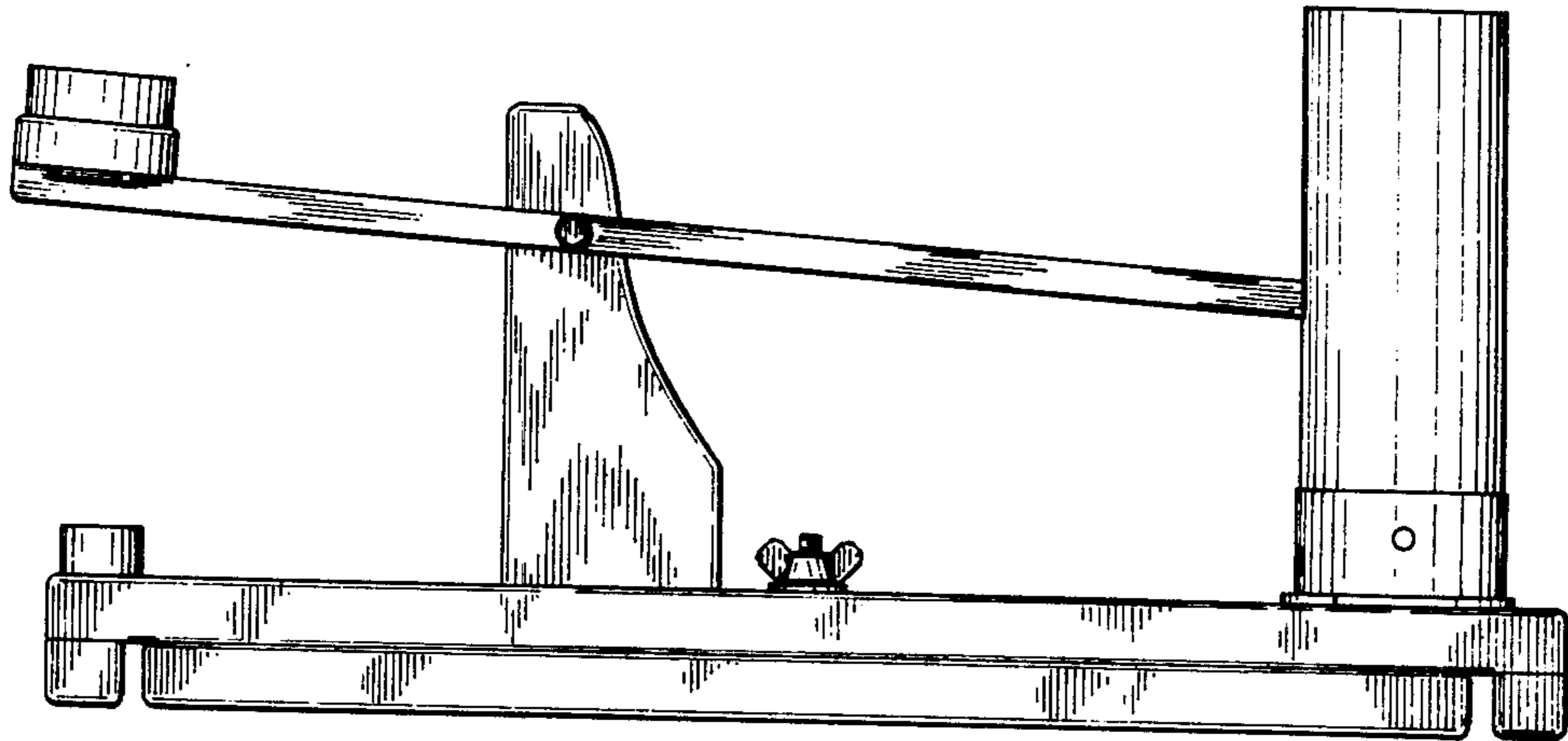


Fig. 1

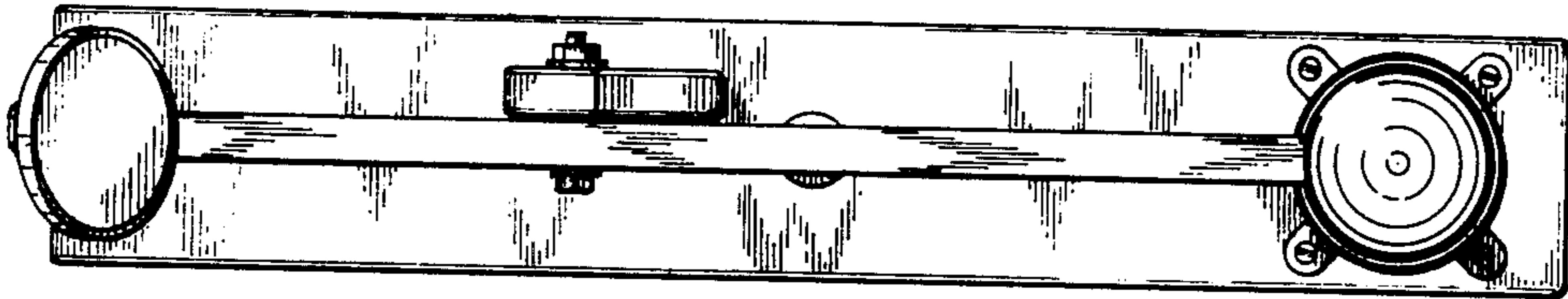


Fig. 2

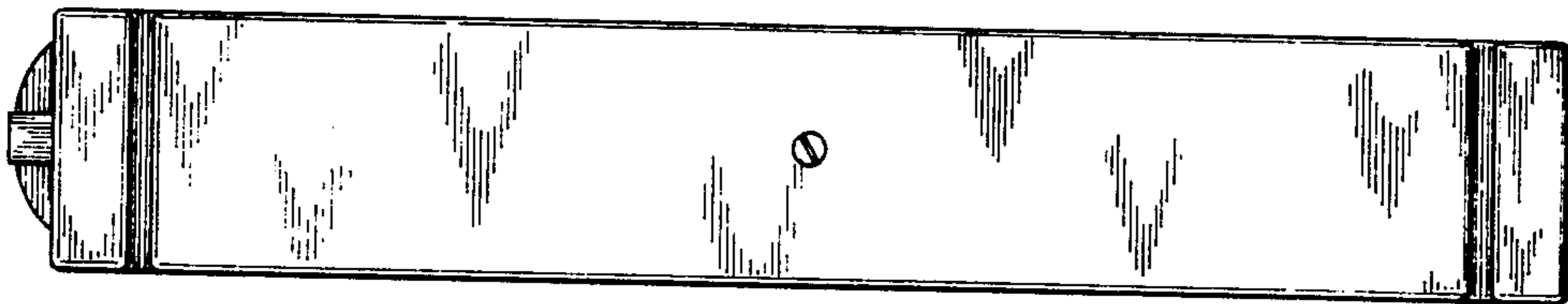


Fig. 3

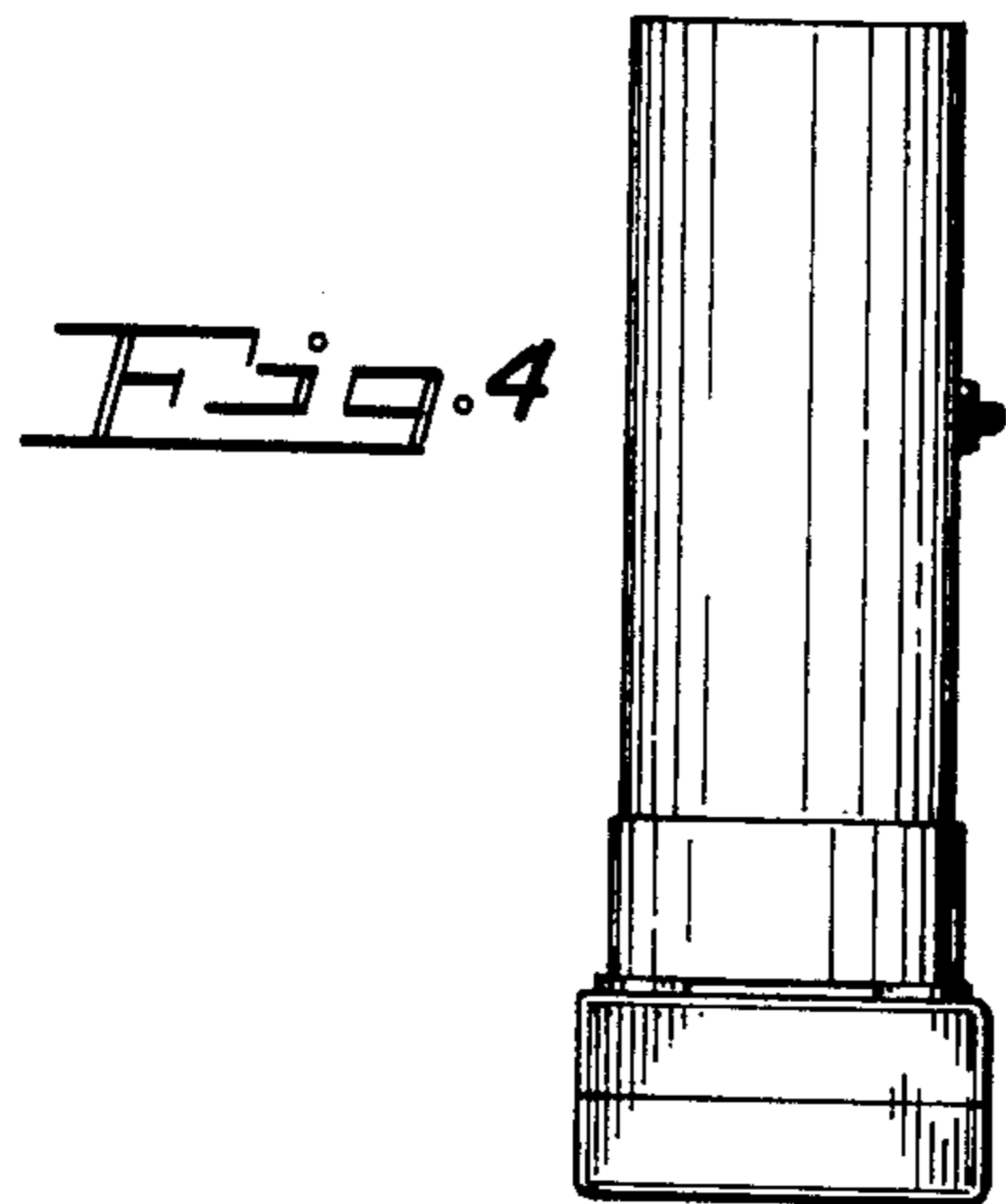


Fig. 4

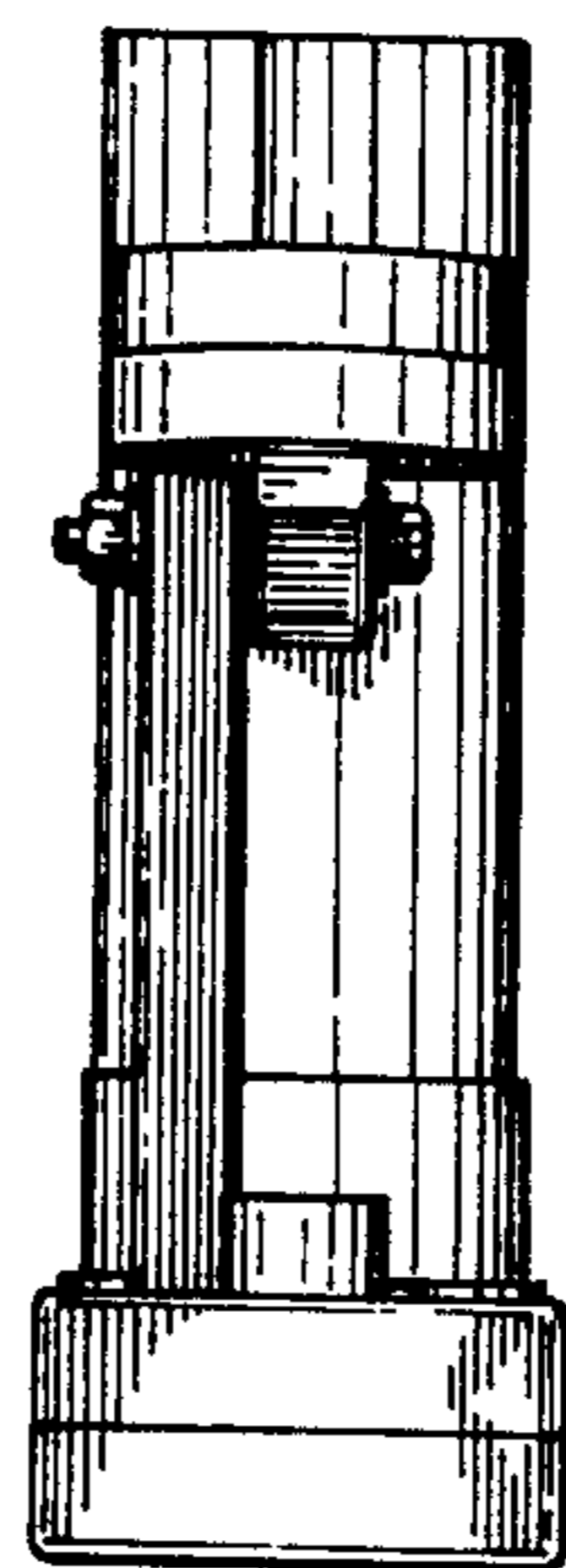


Fig. 5

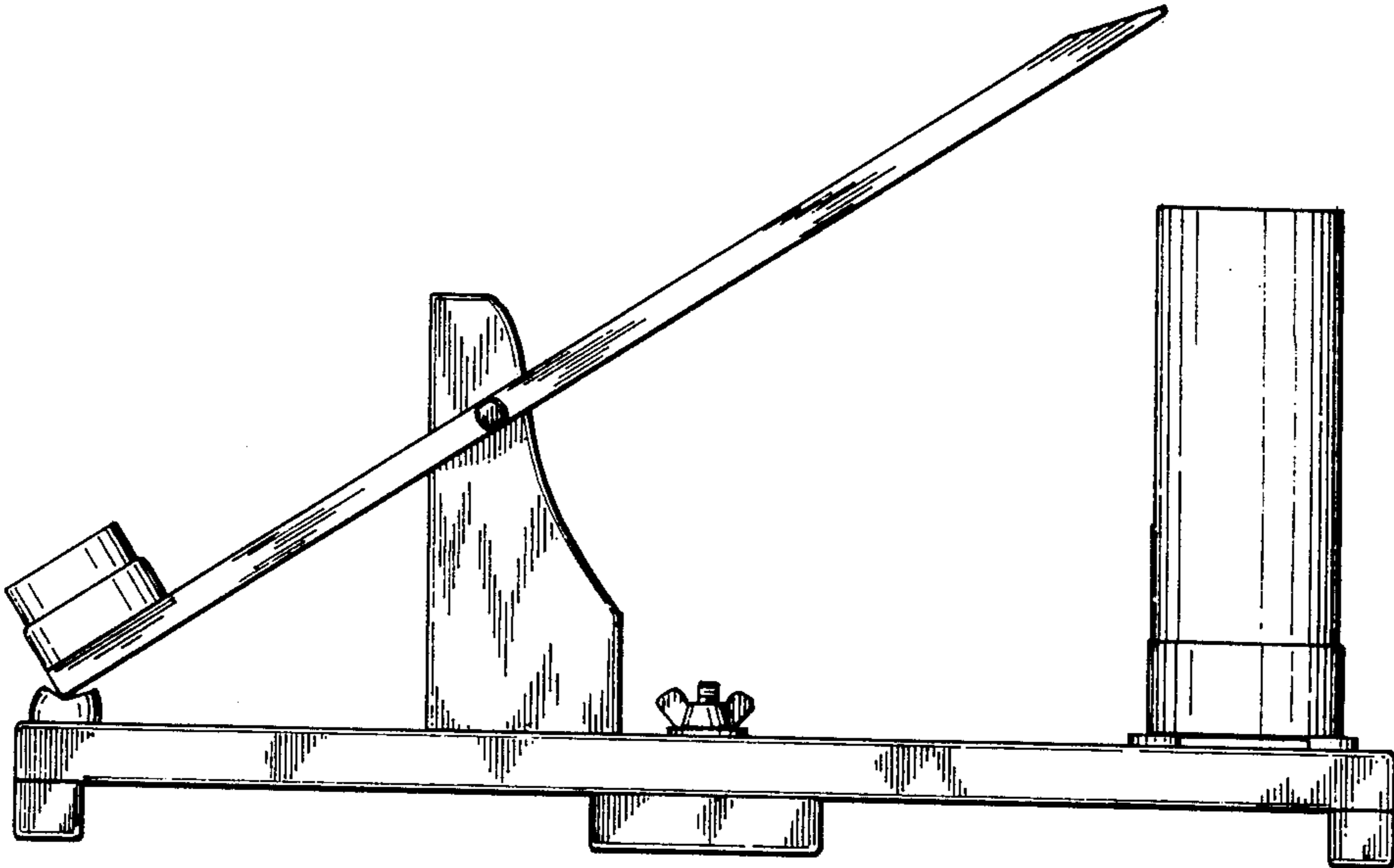


Fig. 6

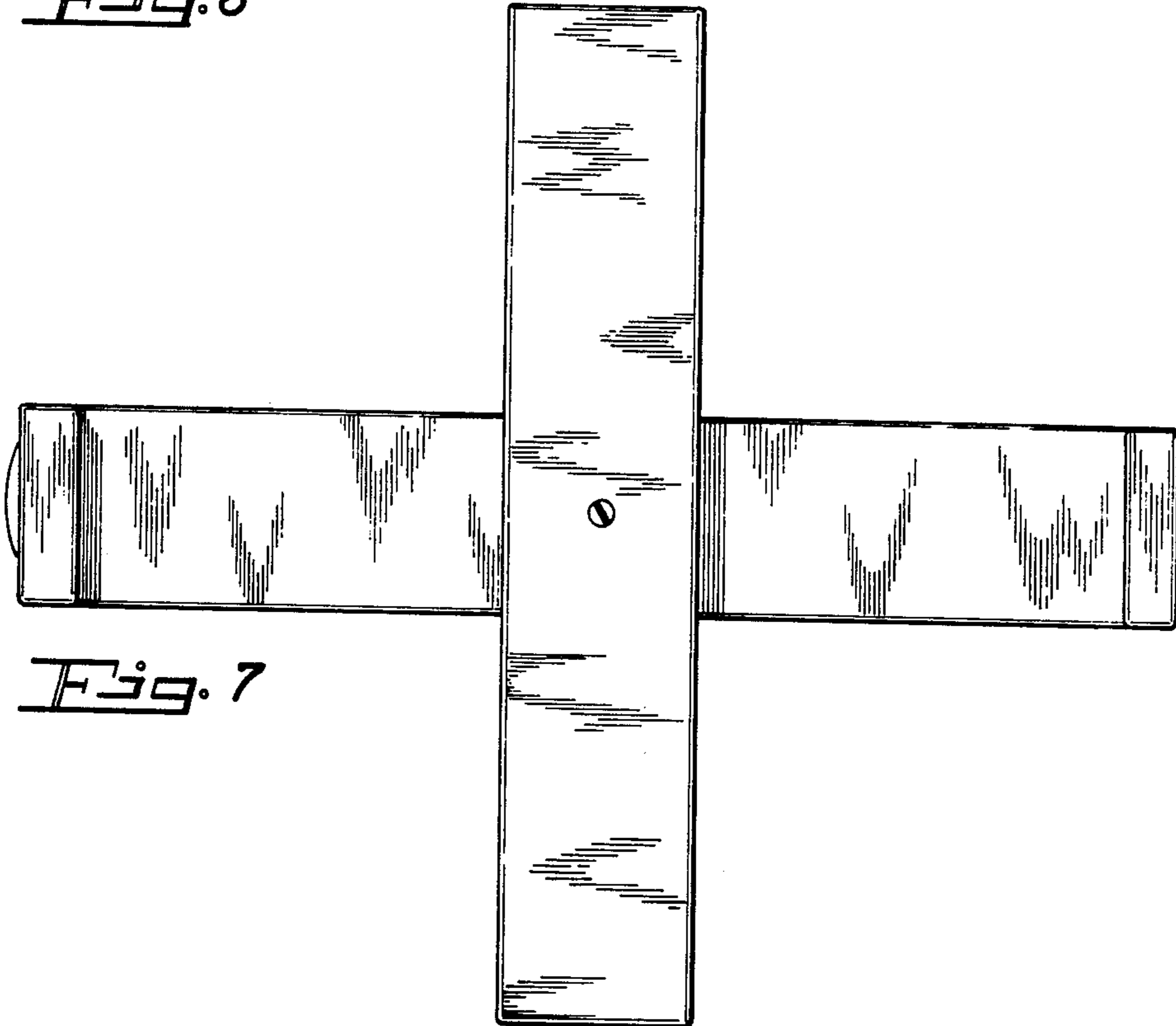


Fig. 7