

[54] COLLAPSIBLE BIRD FEEDER

[76] Inventor: Walter H. Podjan, 1500 Rocky Gap, Benton Harbor, Mich. 49022

[**] Term: 14 Years

[21] Appl. No.: 834,435

[22] Filed: Sep. 19, 1977

[51] Int. Cl. D30-03

[52] U.S. Cl. D30/15

[58] Field of Search D30/1-18; 119/1, 17, 19, 238, 51 R

[56] References Cited

U.S. PATENT DOCUMENTS

D. 190,813	7/1961	McGreevy et al.	D30/15
1,005,071	10/1911	Randall	D30/13 X
3,108,570	10/1963	Kerkhoue	119/23
3,418,976	12/1968	Vail	119/23

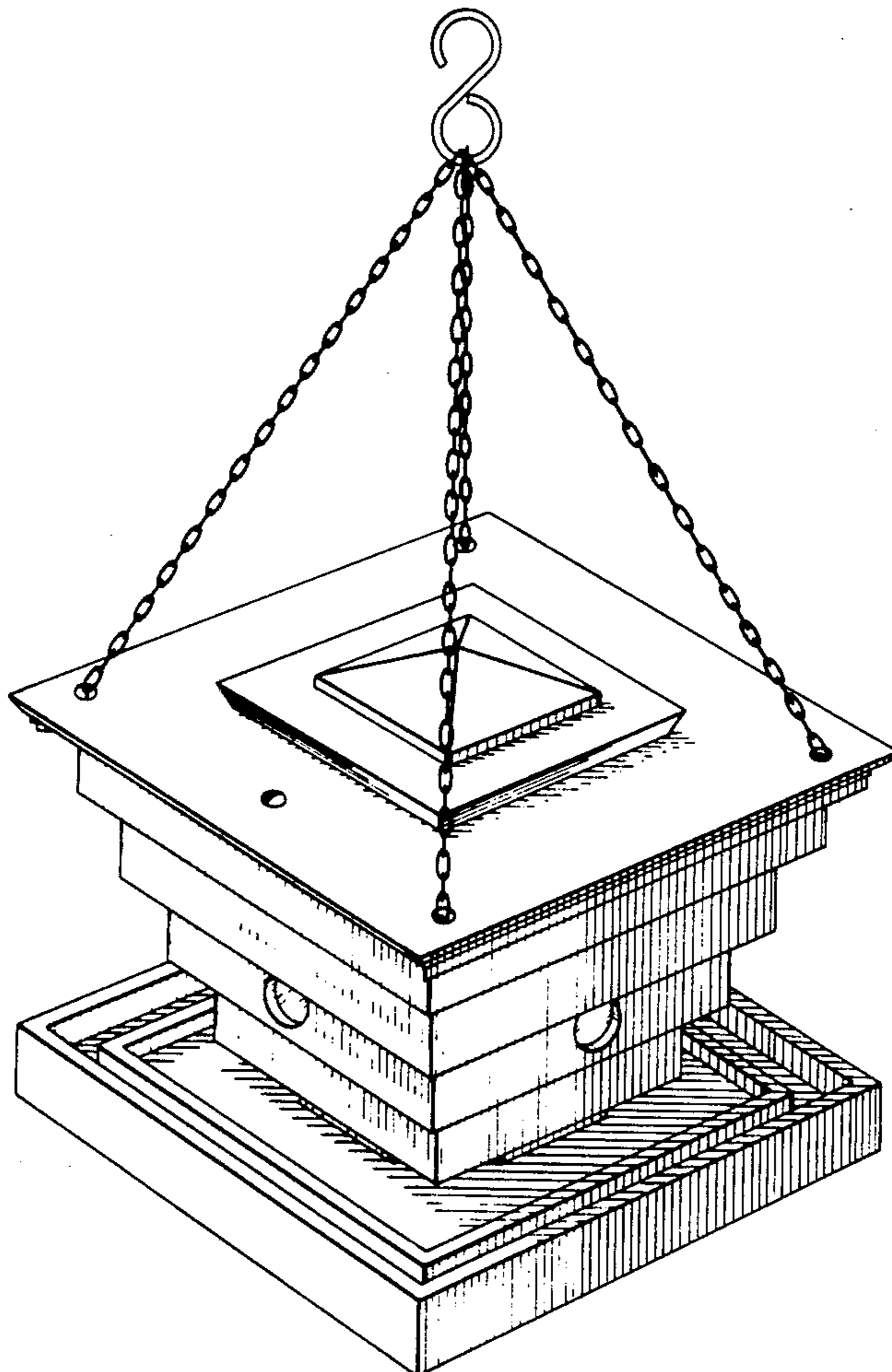
Primary Examiner—James R. Largen
Attorney, Agent, or Firm—Raywood H. Blanchard

[57] CLAIM

The ornamental design for a collapsible bird feeder, as shown and described.

DESCRIPTION

FIG. 1 is a perspective view of a collapsible bird feeder embodying my new design;
 FIG. 2 is a front view thereof, the rear being the same as the front shown;
 FIG. 3 is a side view thereof, with the support chains and hook omitted for convenience of illustration, the opposite side being the same as the side shown;
 FIG. 4 is a top view of FIG. 3;
 FIG. 5 is a bottom view thereof;
 FIG. 6 is a collapsed front view of FIG. 3;
 FIG. 7 is a front view of FIG. 3 showing the top opening uncovered;
 FIG. 8 is a side view of FIG. 7; and
 FIG. 9 is a top view of FIG. 7.



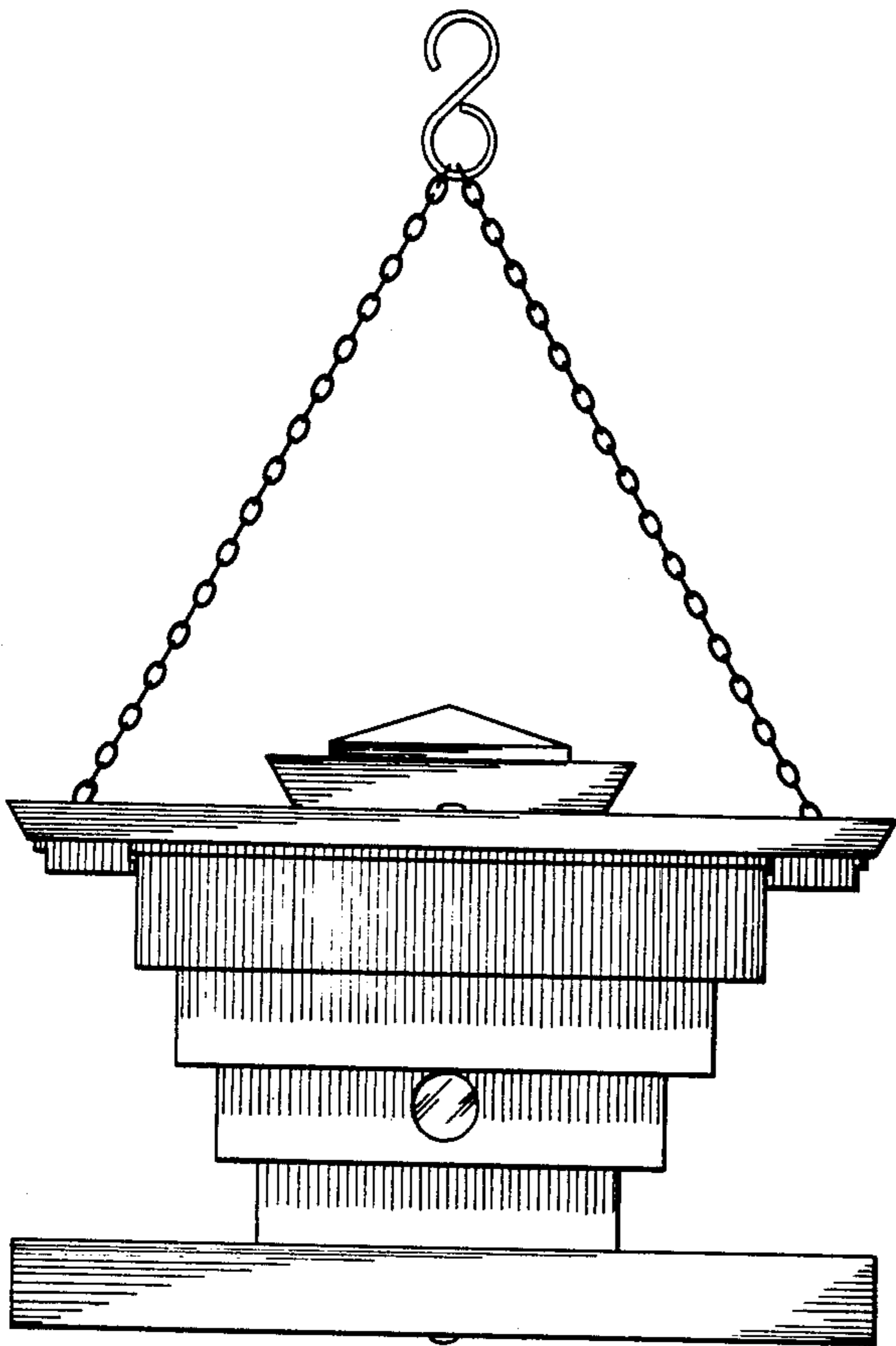


FIG. 2

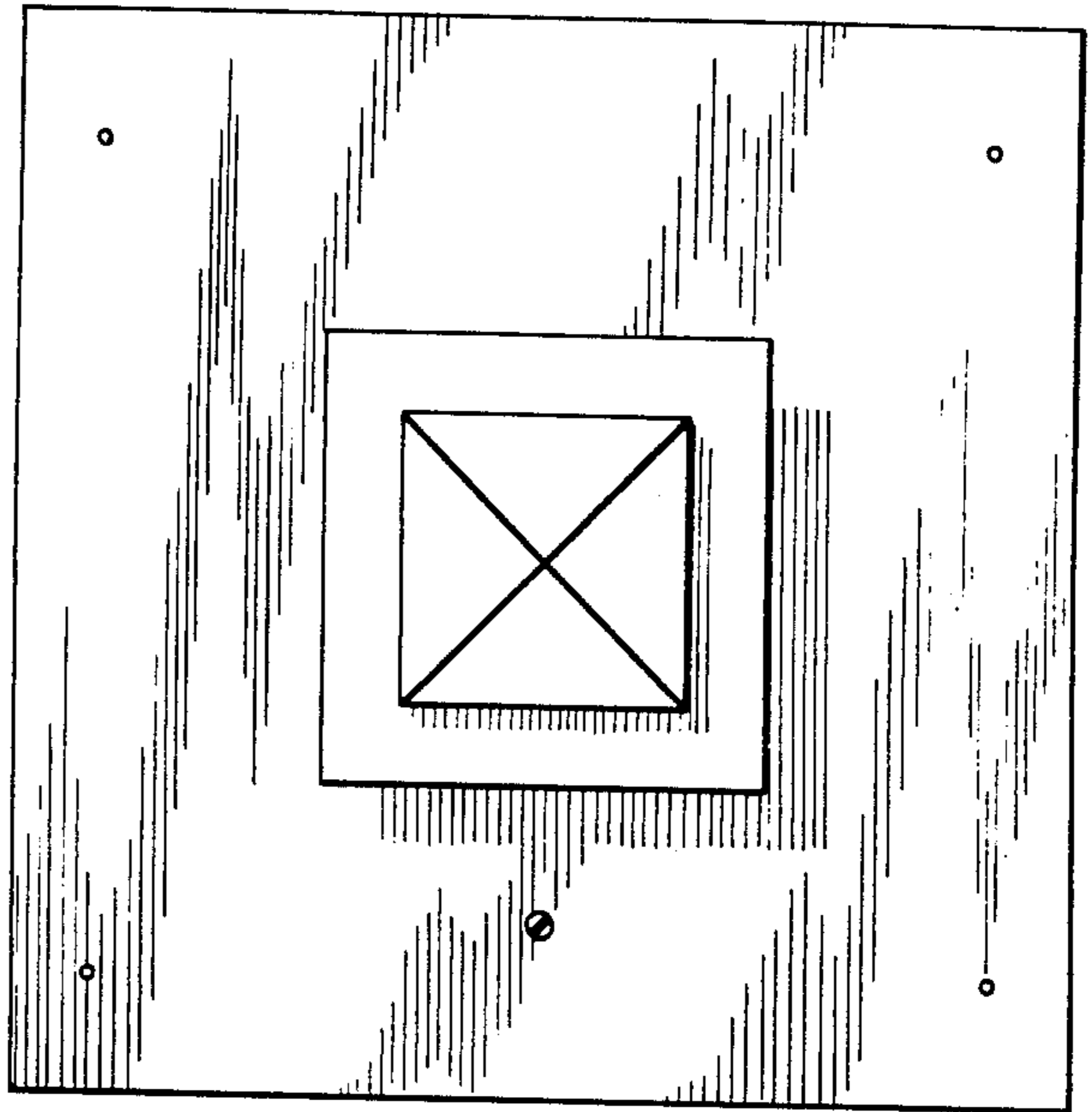


FIG. 4

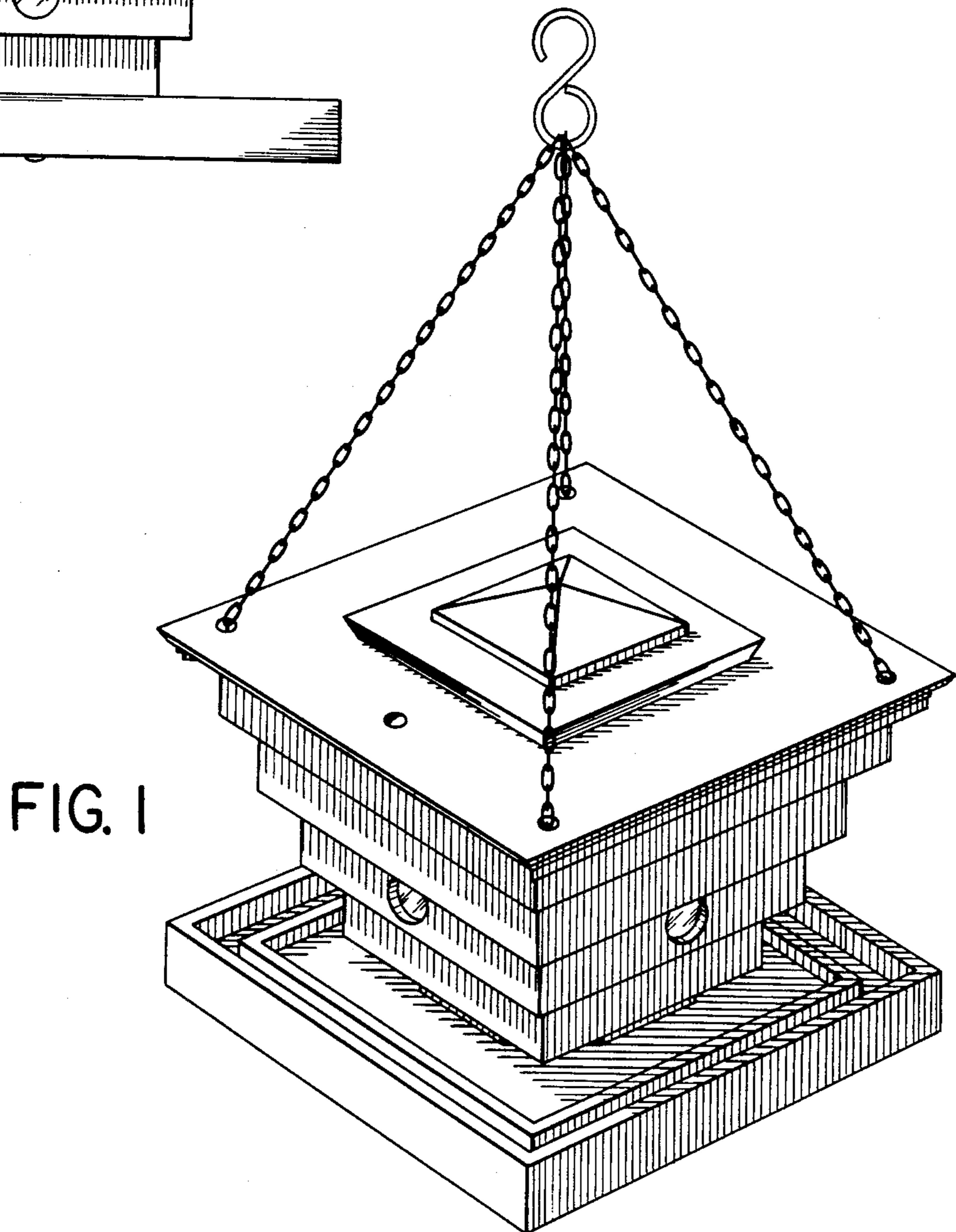


FIG. 1

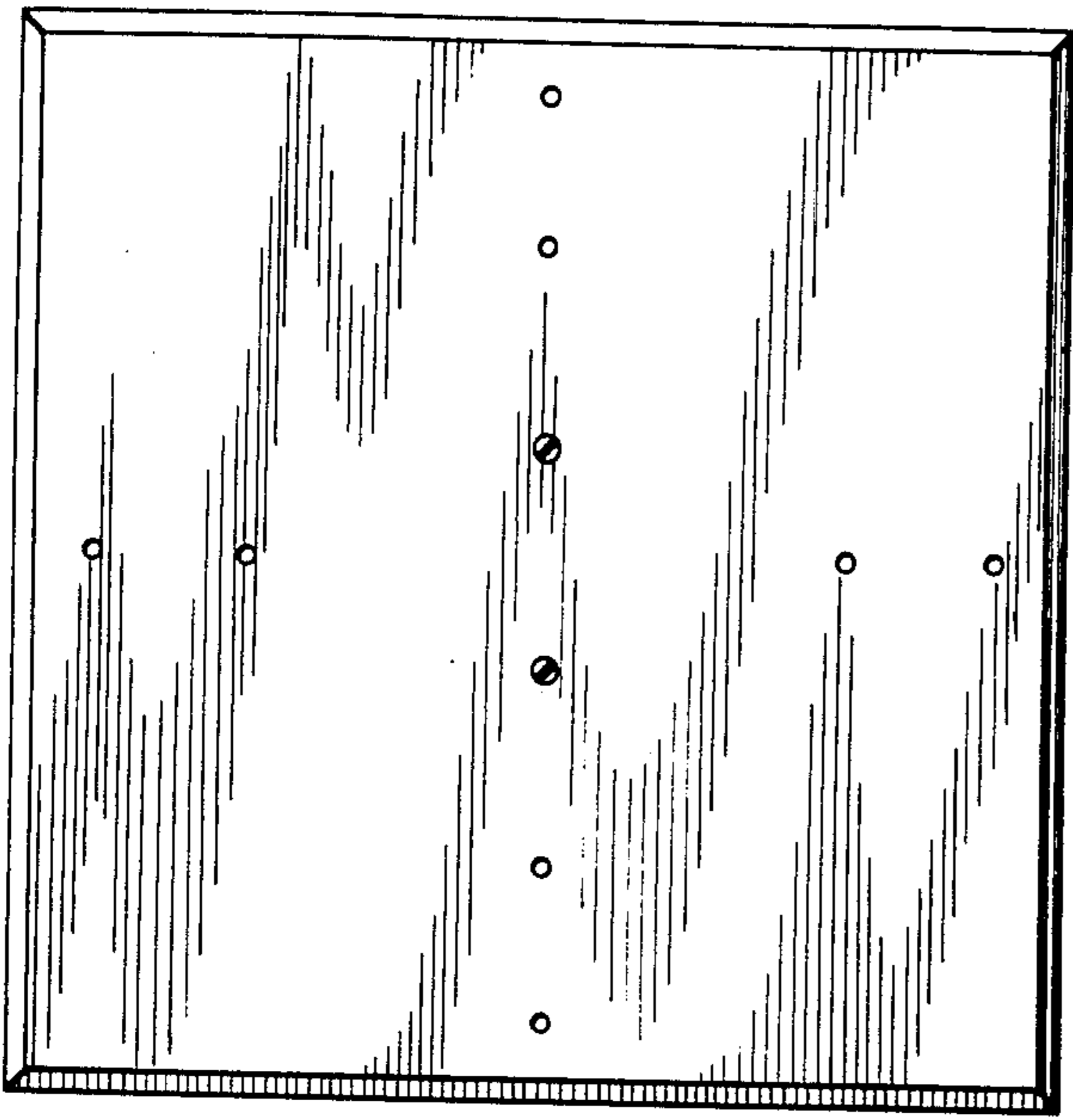


FIG. 5

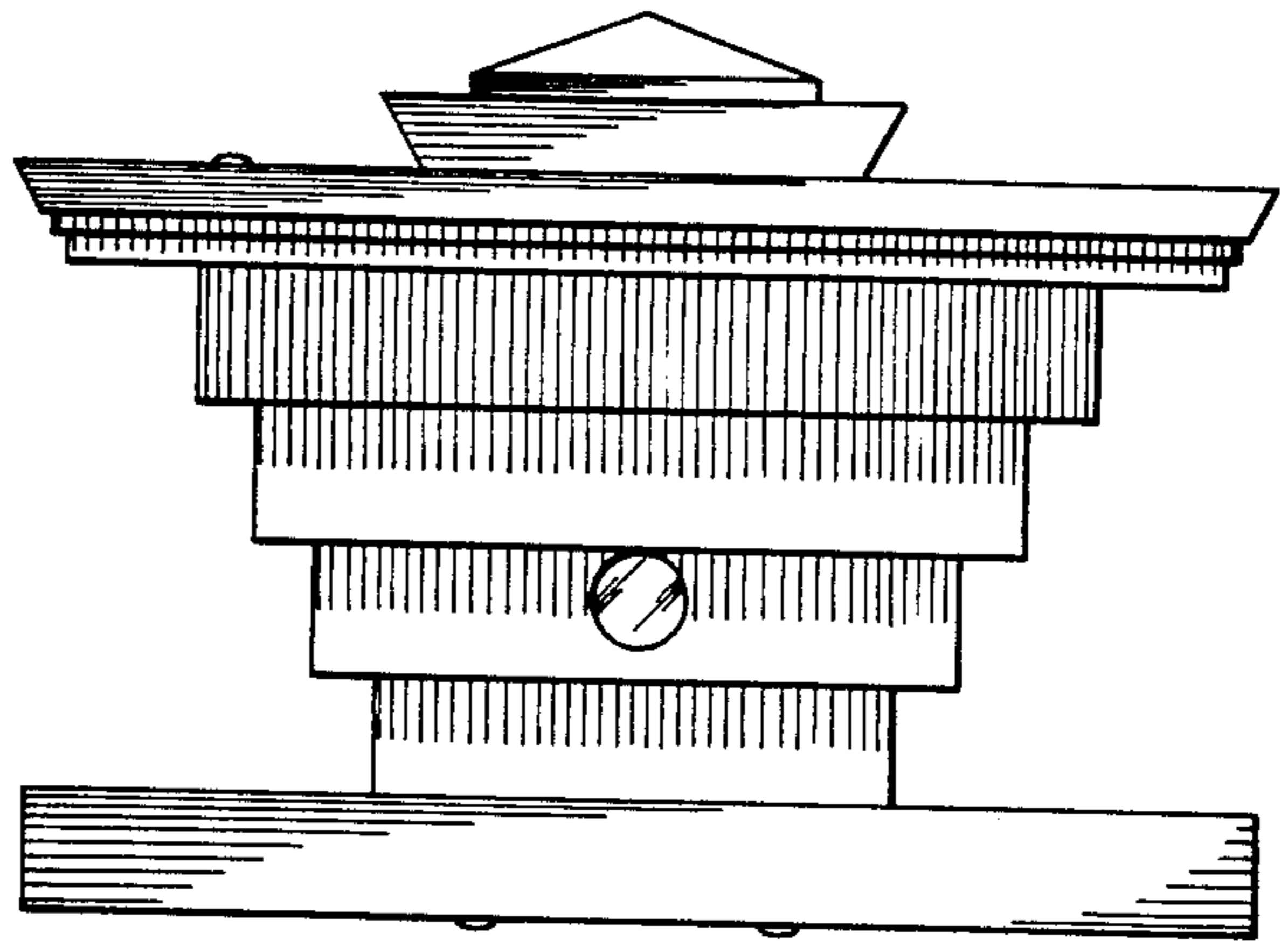


FIG. 3

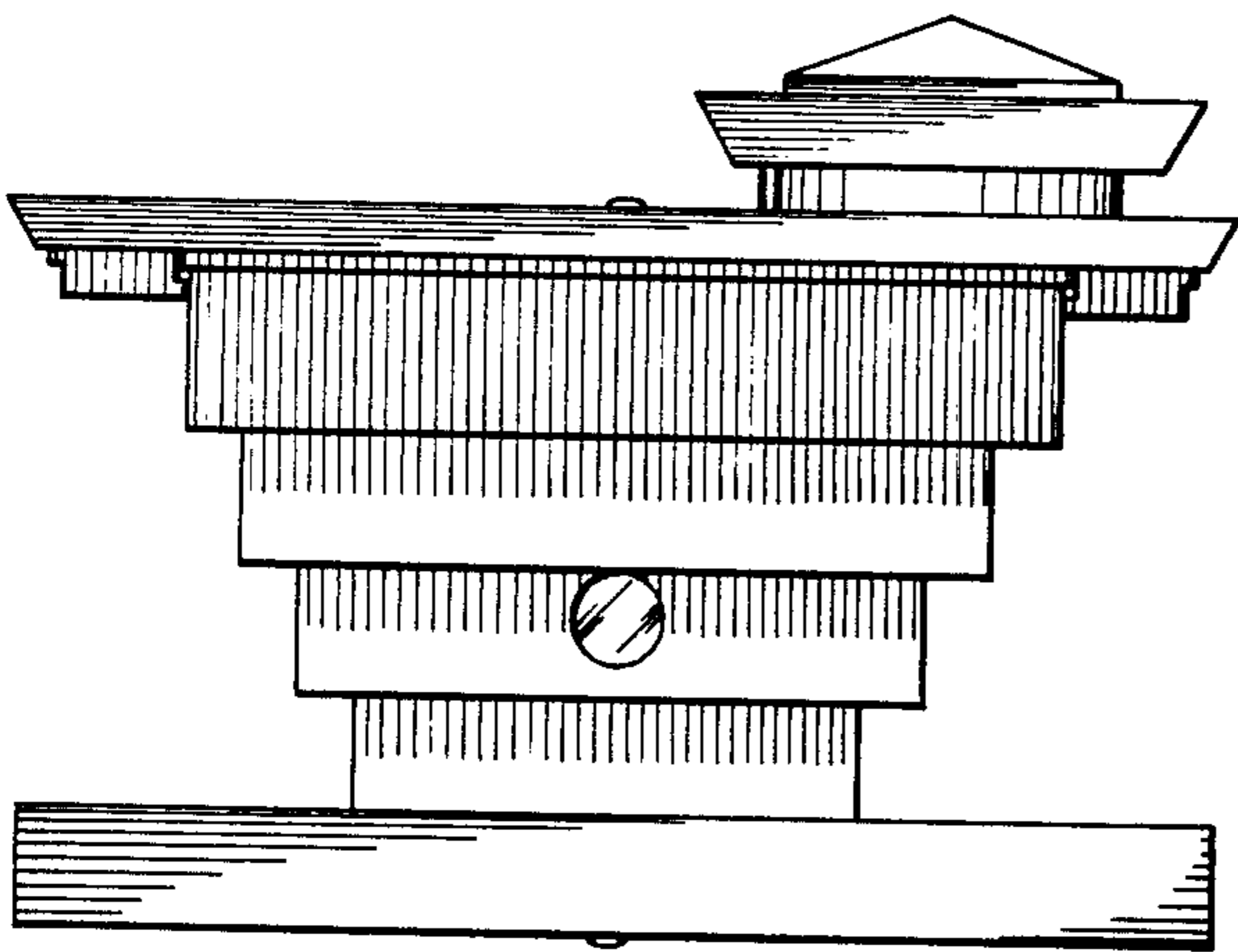


FIG. 7

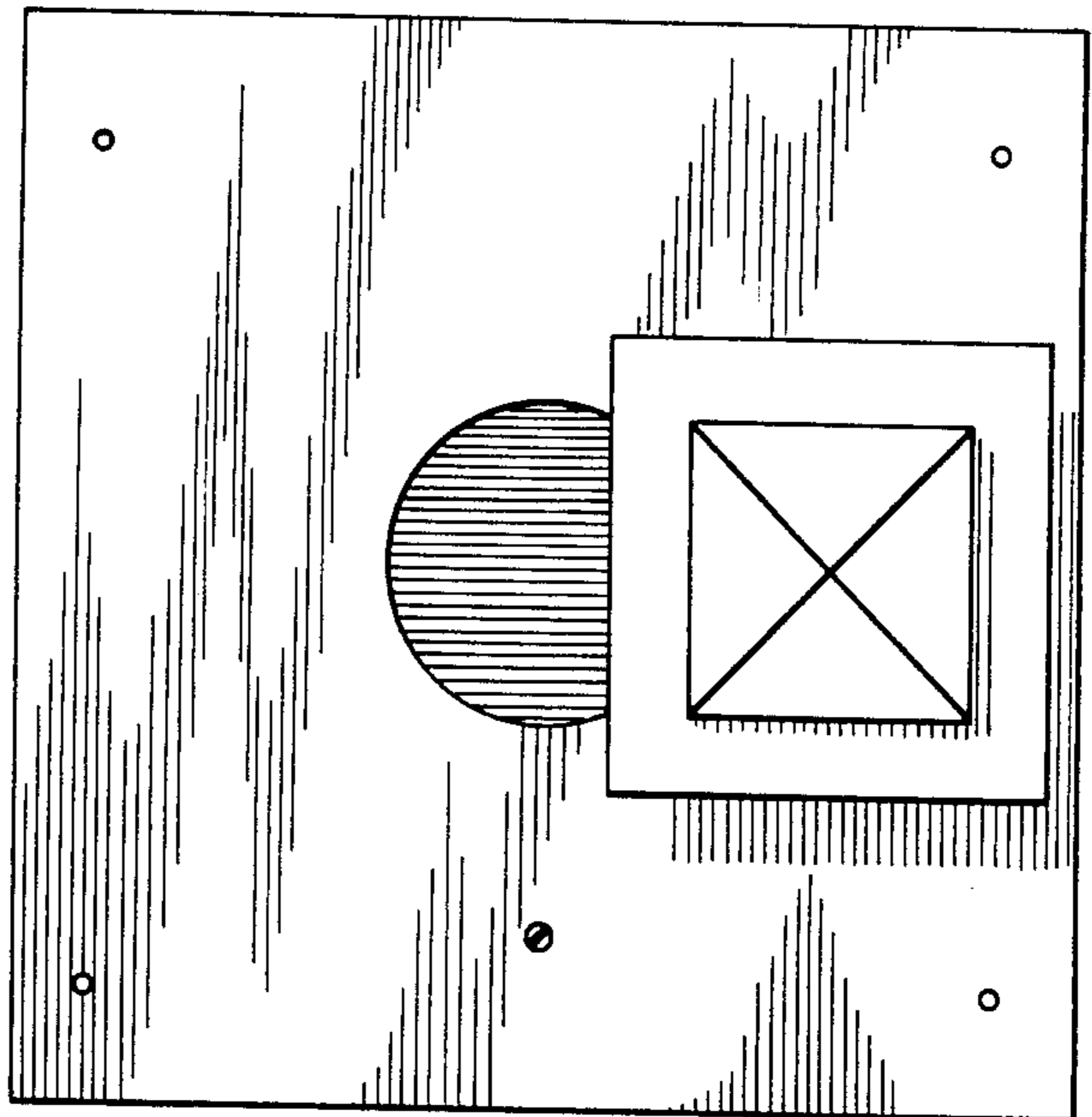


FIG. 9

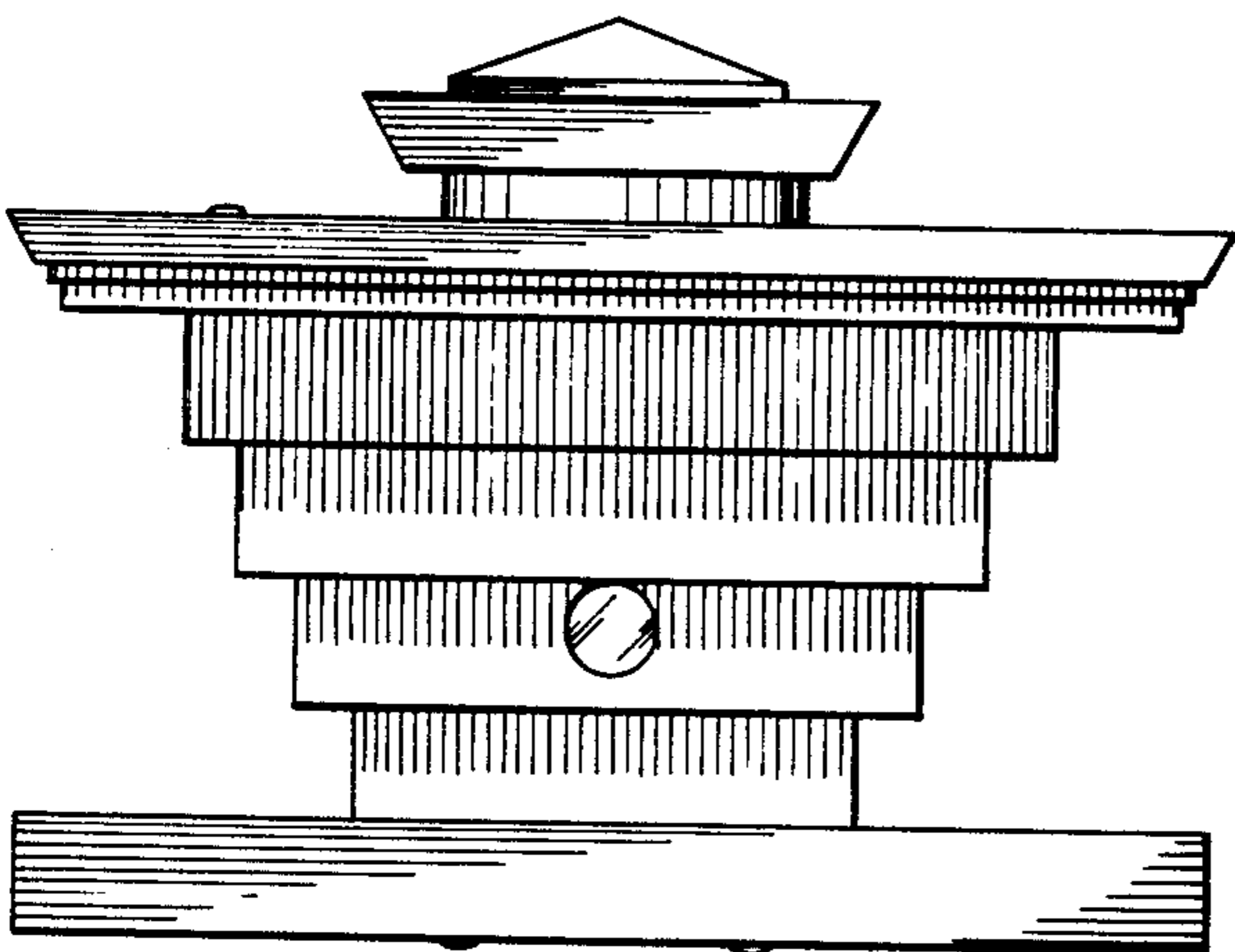


FIG. 8

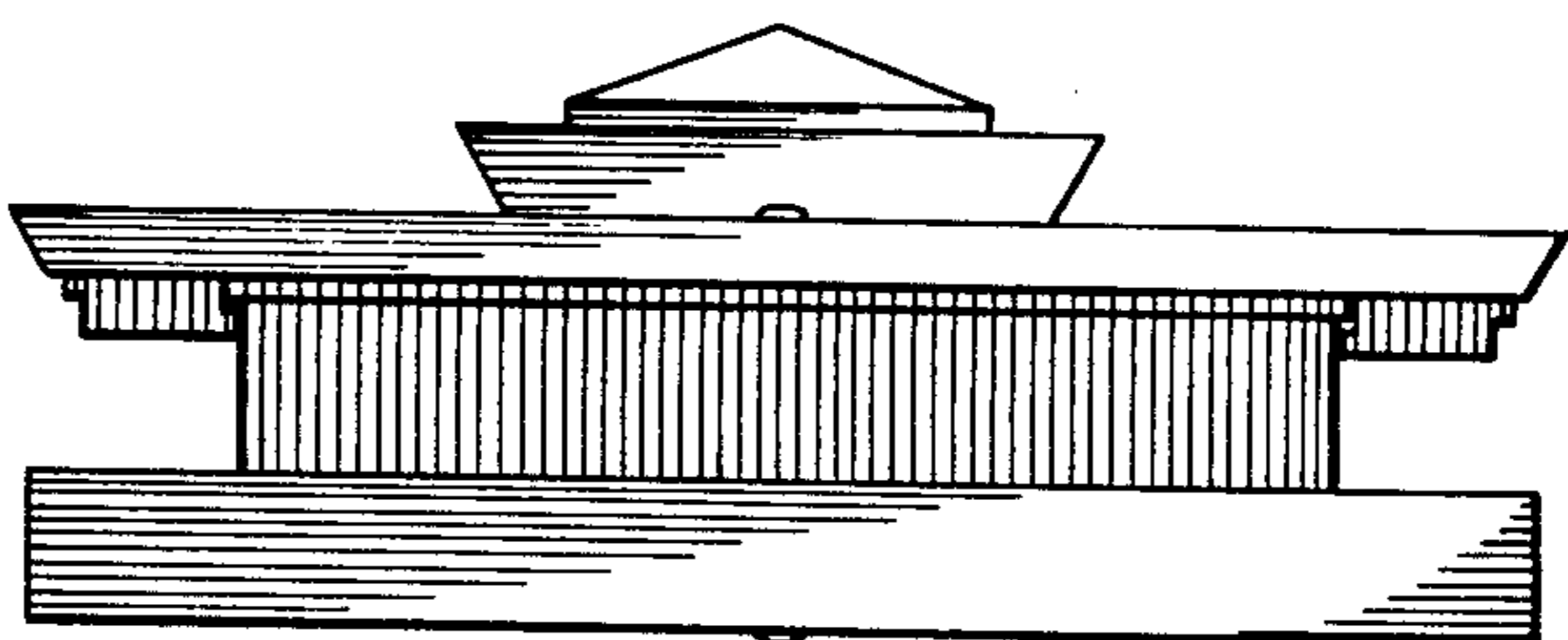


FIG. 6