

[54] Y-TYPE FITTING FOR TWO SHOWERHEADS

[76] Inventor: Eugene Levin, 1420 Northgate Rd., Colorado Springs, Colo. 80908

[**] Term: 14 Years

[21] Appl. No.: 672,765

[22] Filed: Apr. 1, 1976

[51] Int. Cl. D23-01

[52] U.S. Cl. D23/40

[58] Field of Search D23/40-47; 285/150, 155, 157, 156; 4/145, 147, 148, 151, 156, 191, 192; 138/155; 239/267, 282, 444, 548, 550, 551, 556, 565, 568

[56] References Cited

U.S. PATENT DOCUMENTS

| | | | |
|------------|---------|-----------------|-----------|
| D. 30,487 | 4/1899 | Hanrahan | D23/4 |
| D. 31,599 | 10/1899 | Hills | D23/32 |
| D. 240,131 | 6/1976 | Dwyer | D23/40 |
| 1,773,643 | 8/1930 | Romanchak | 285/155 X |

Primary Examiner—James R. Largen
Attorney, Agent, or Firm—Paul M. Craig, Jr.

[57] CLAIM

The ornamental design for a Y-type fitting for two showerheads, as shown and described.

DESCRIPTION

FIG. 1 is a perspective view of a Y-type fitting for two showerheads showing my new design;
FIG. 2 is a front elevational view thereof, the rear being the same as the front shown;
FIG. 3 is a side elevational view from one side thereof, the opposite side being the same as the side shown;
FIG. 4 is a bottom plan view thereof.

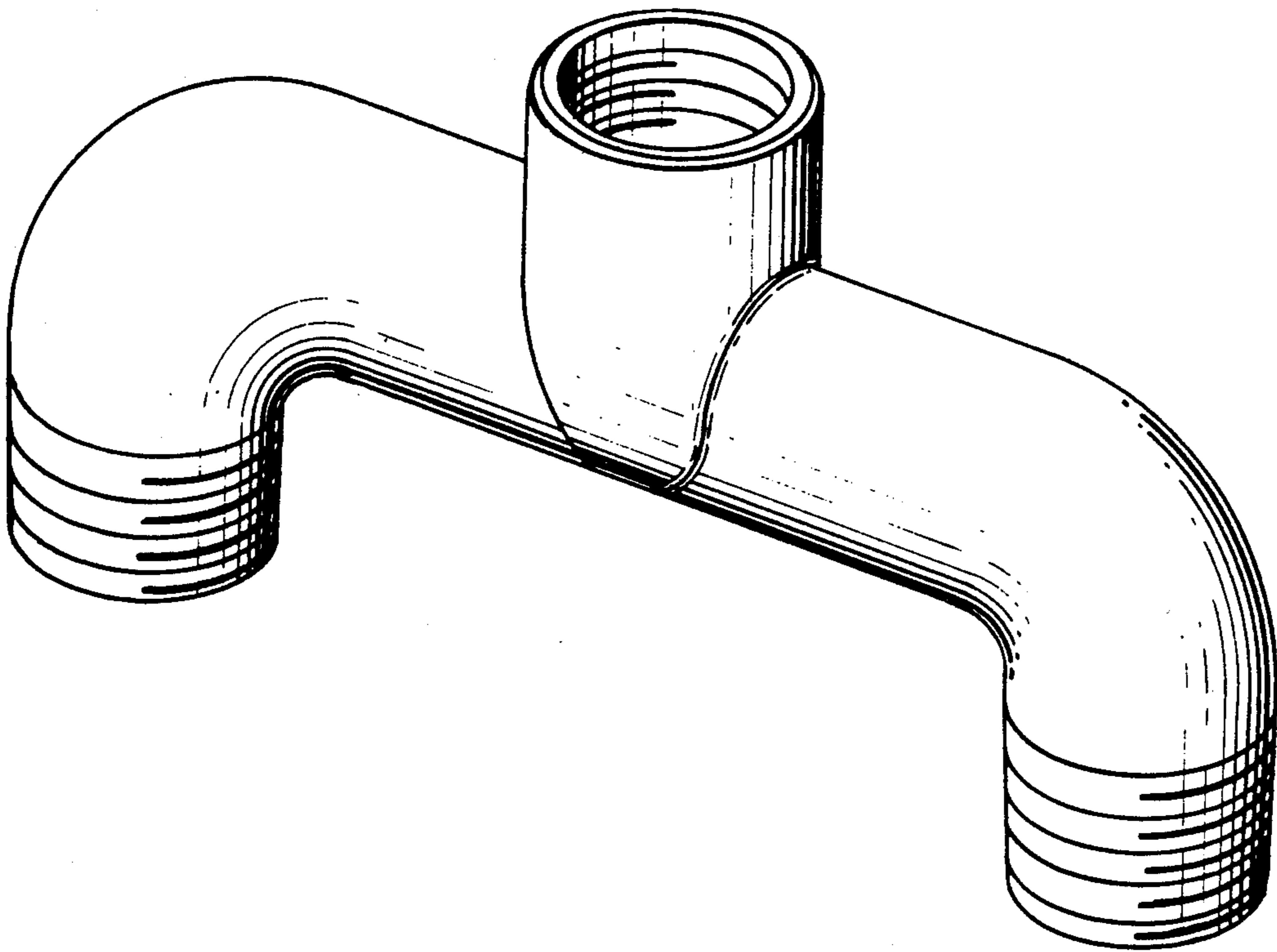


FIG. 1.

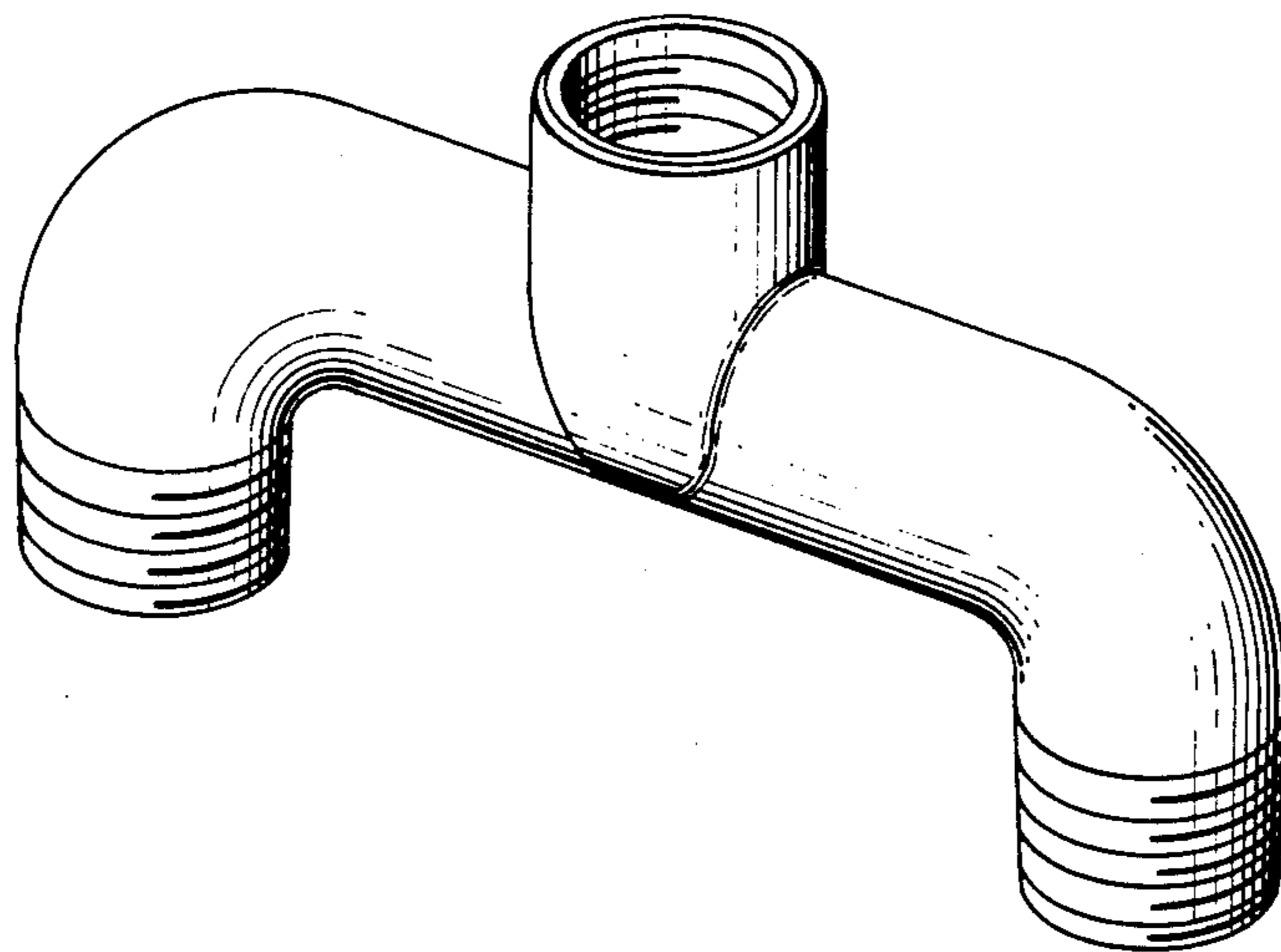


FIG. 2.

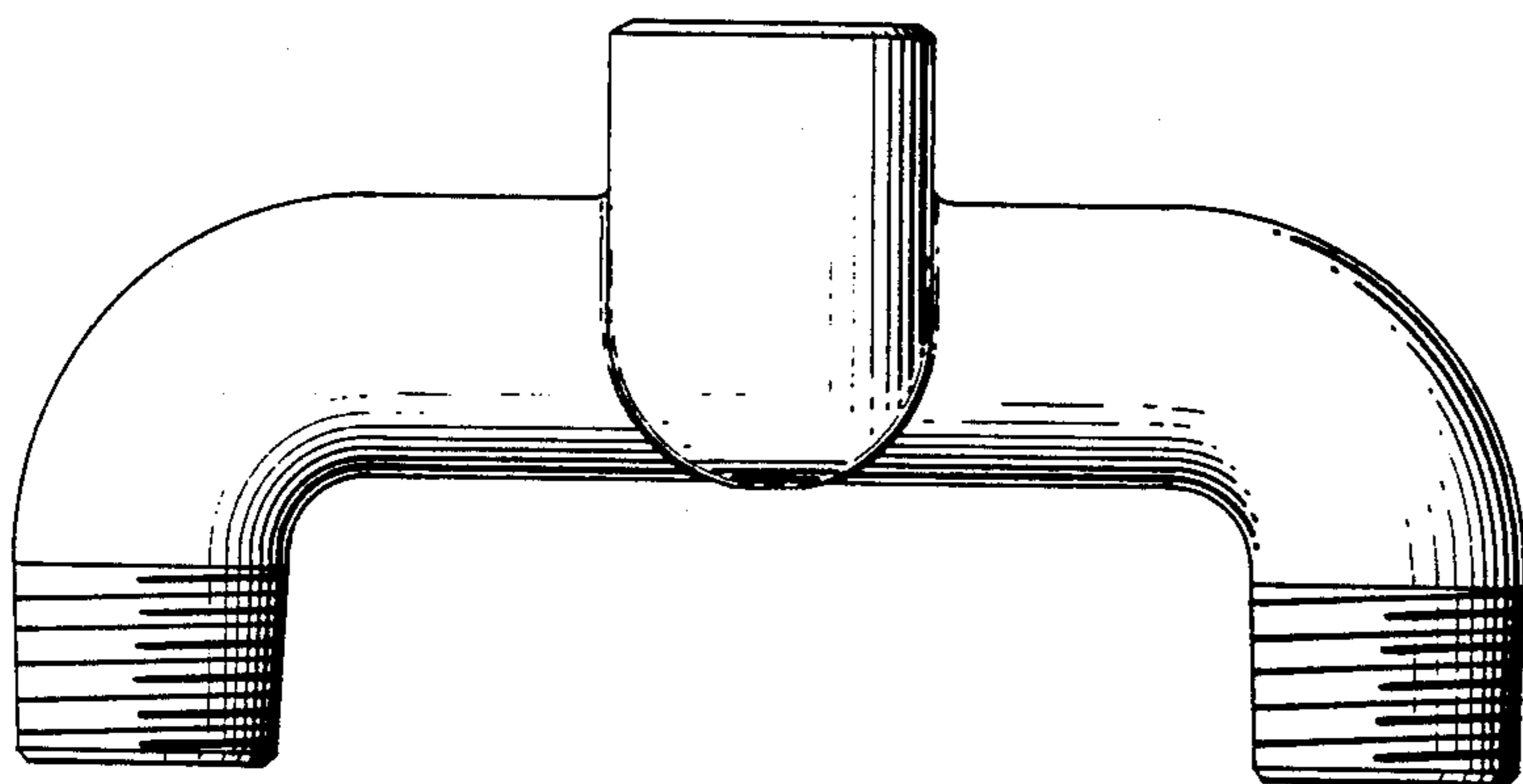


FIG. 3.

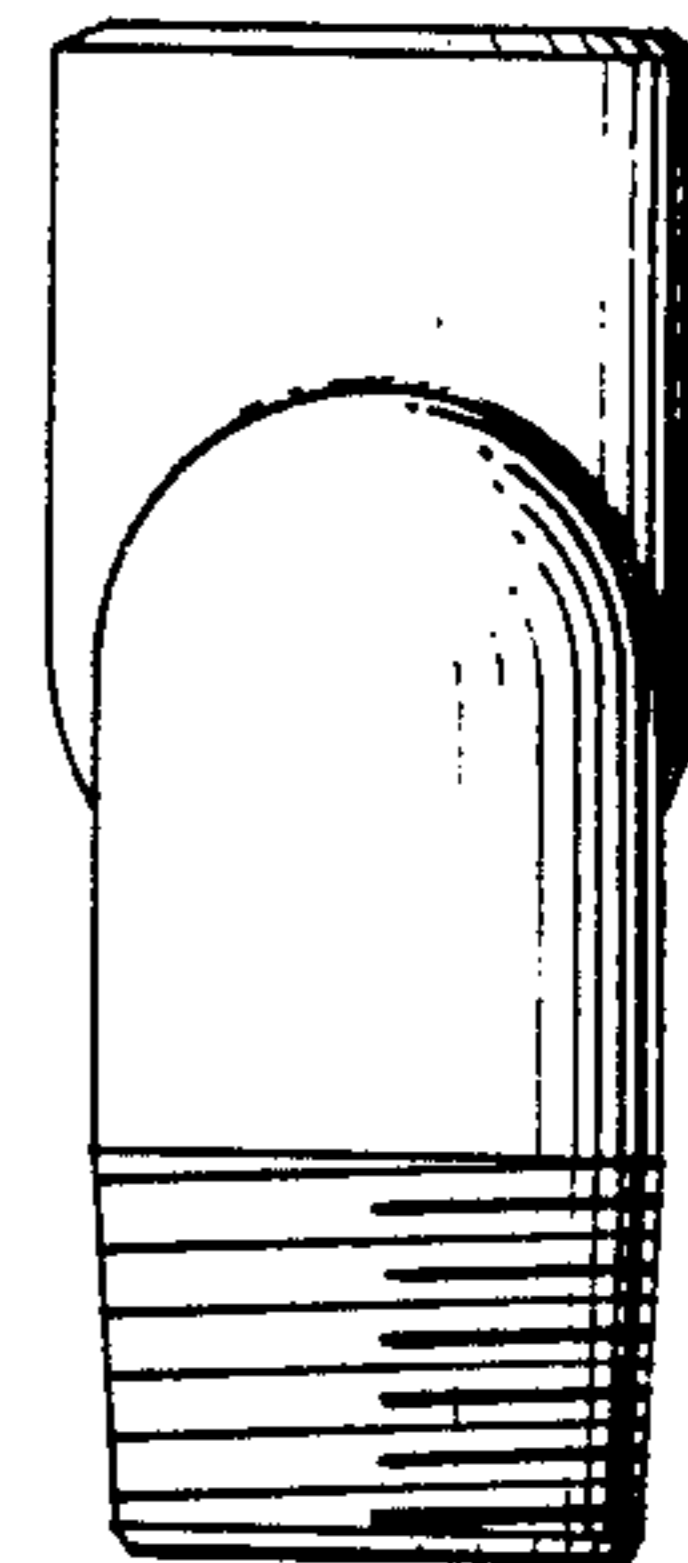


FIG. 4.

