

[54] PORTABLE WATER FILTER

[75] Inventors: Frederick G. Mackay, Tarzana; Spencer L. Mackay, Glendale, both of Calif.

[73] Assignee: Teledyne Industries, Inc.

[**] Term: 14 Years

[21] Appl. No.: 780,812

[22] Filed: Mar. 24, 1977

[51] Int. Cl. D23-01

[52] U.S. Cl. D23/4

[58] Field of Search D23/1-4; 210/256, 261, 257 R, 258 R, 416 D, 416 W

[56] References Cited

U.S. PATENT DOCUMENTS

- D. 89,596 4/1933 Soreng D23/3
- D. 168,249 11/1952 Atkinson D23/3

- D. 173,603 12/1954 Atkinson D23/3
- D. 211,724 7/1968 Schneider, Sr. D23/3
- D. 238,172 12/1975 Blackstone D23/3
- 1,052,440 2/1913 Hagg 210/261
- 3,339,743 9/1967 Bealle 210/256

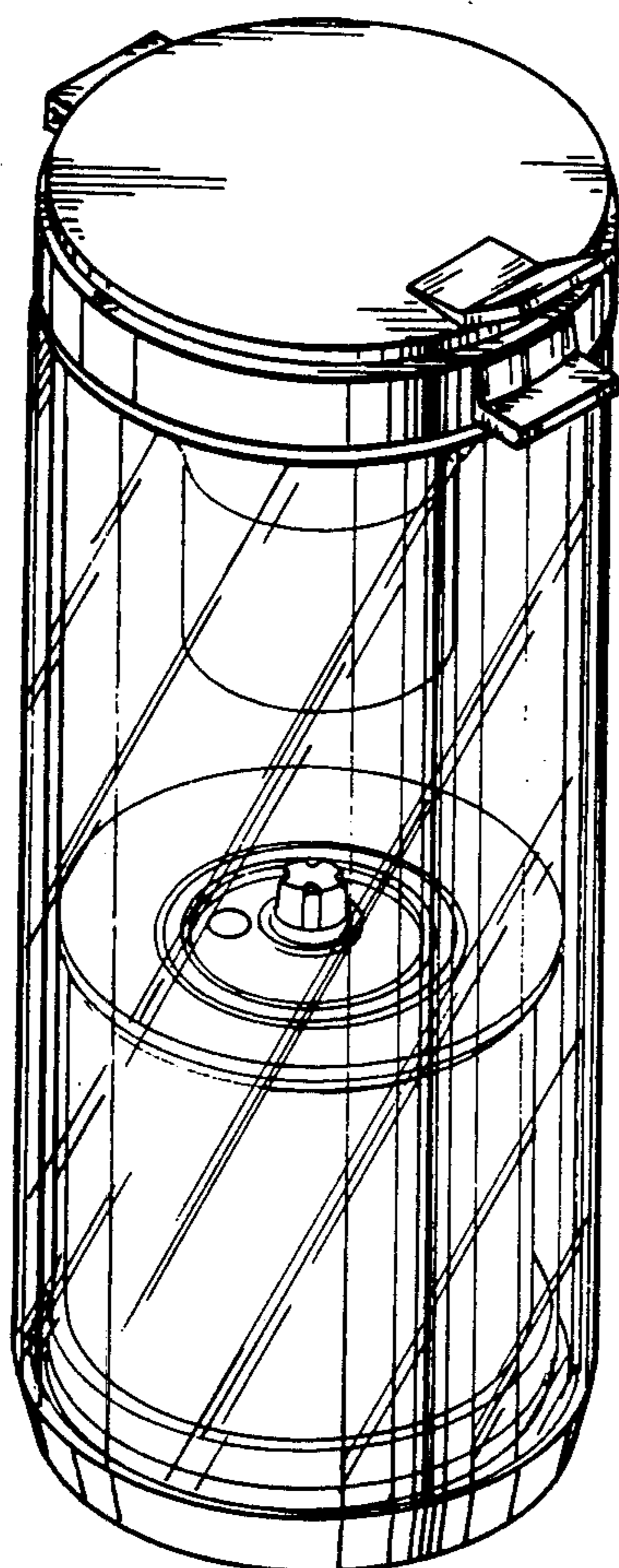
Primary Examiner—James R. Largen
Attorney, Agent, or Firm—Hugh H. Drake

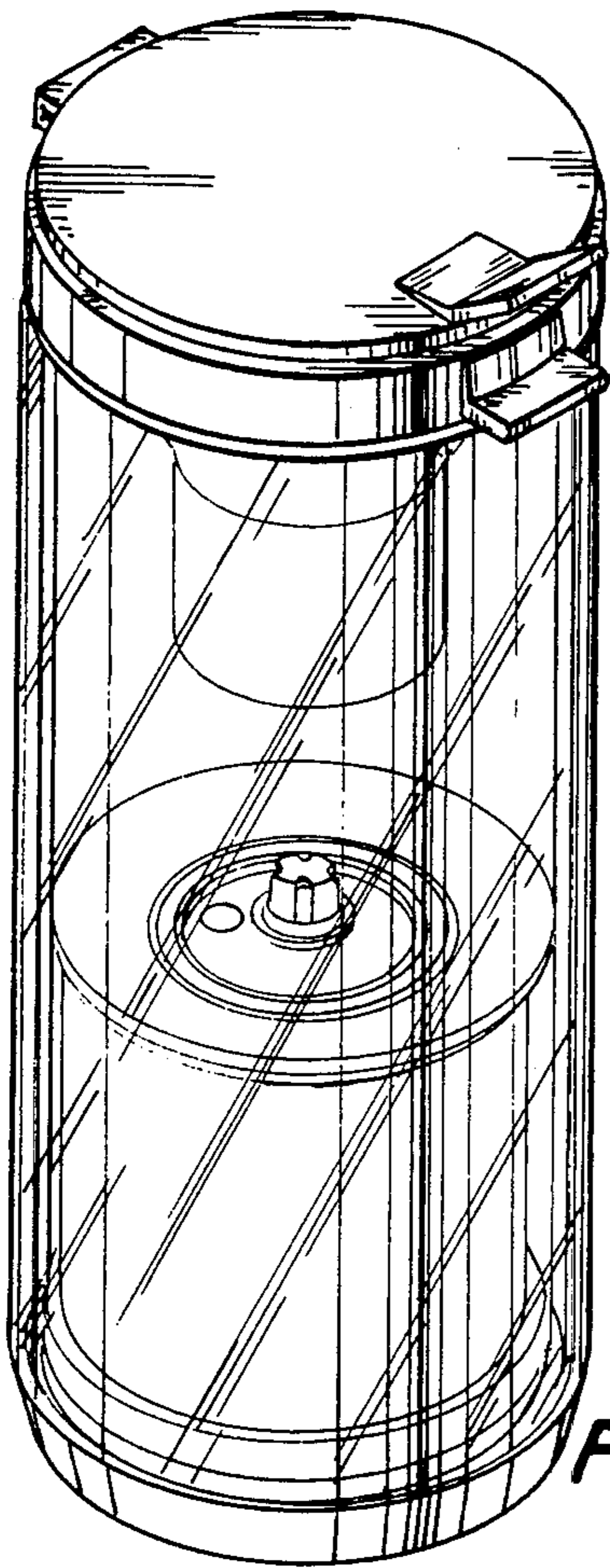
[57] CLAIM

The ornamental design of a portable water filter, as shown.

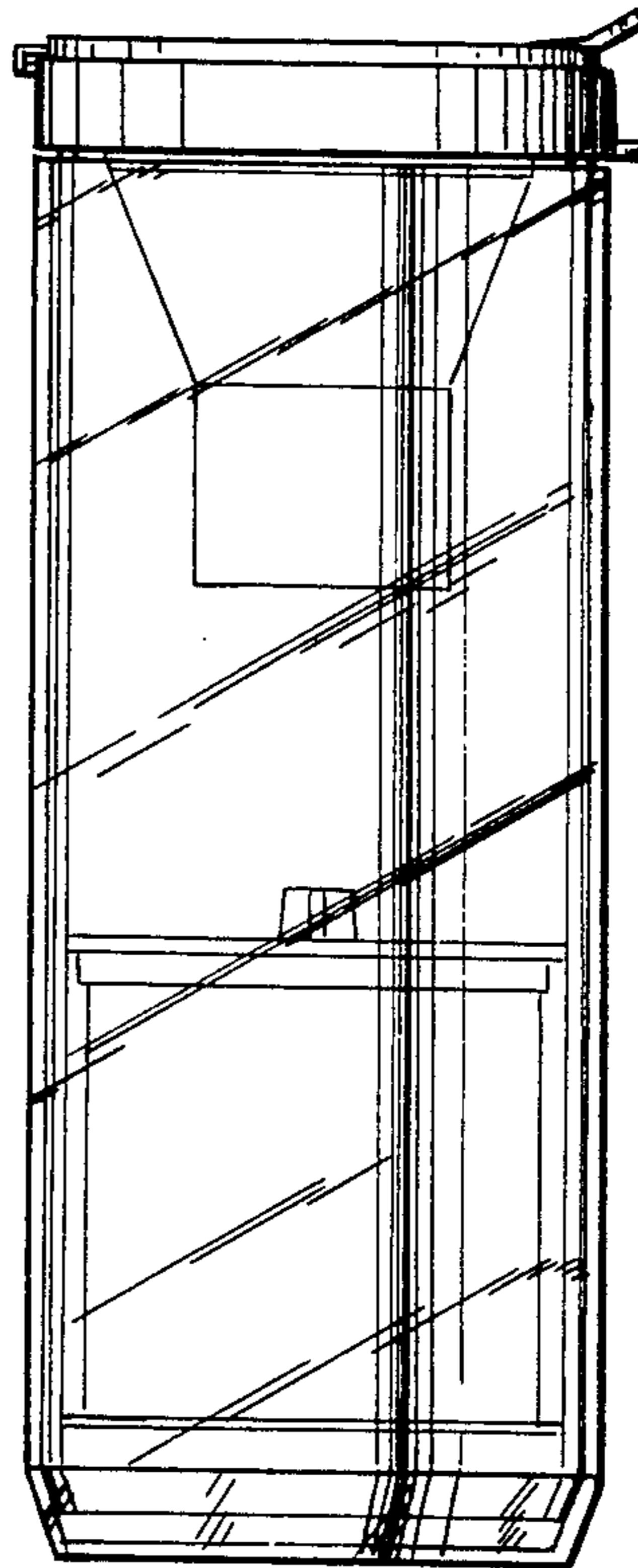
DESCRIPTION

FIG. 1 is a perspective view of a portable water filter embodying the new design;
 FIG. 2 is a side elevational view thereof;
 FIG. 3 is a front elevational view thereof;
 FIG. 4 is a rear elevational view thereof;
 FIG. 5 is a top plan view thereof;
 FIG. 6 is a bottom plan view thereof; and
 FIG. 7 is an exploded perspective view thereof.

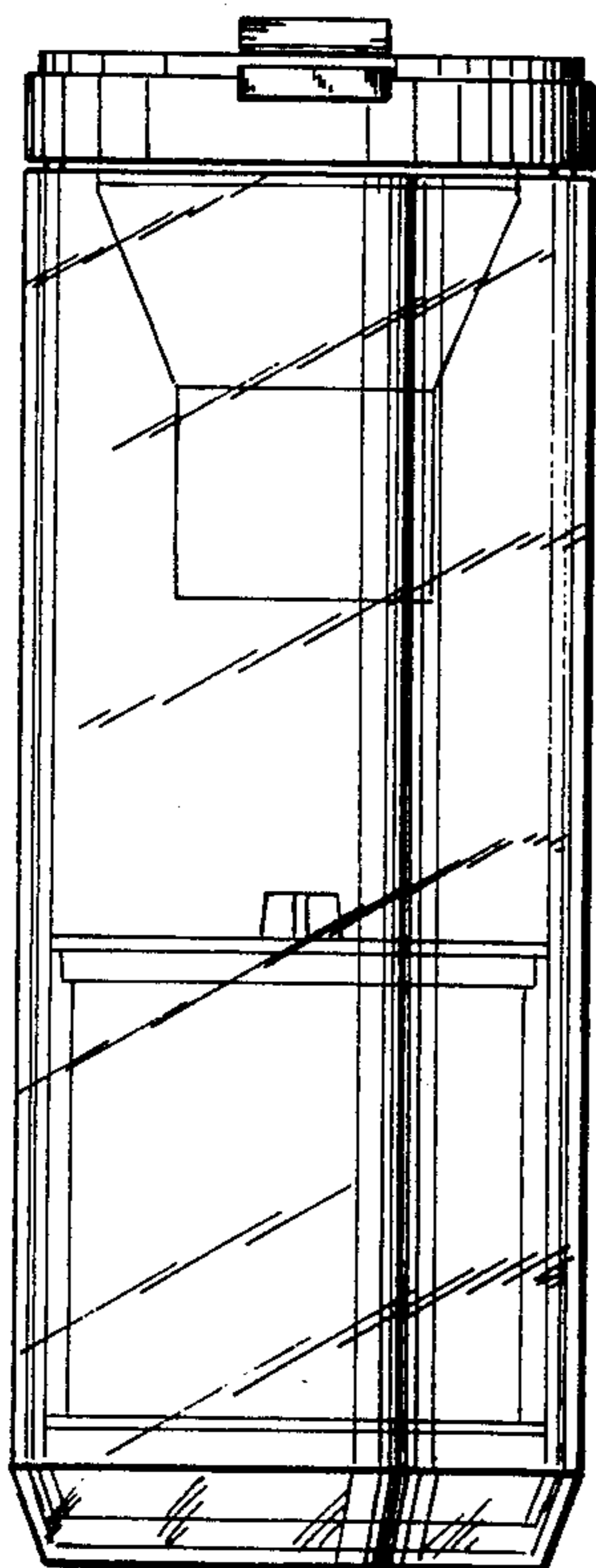




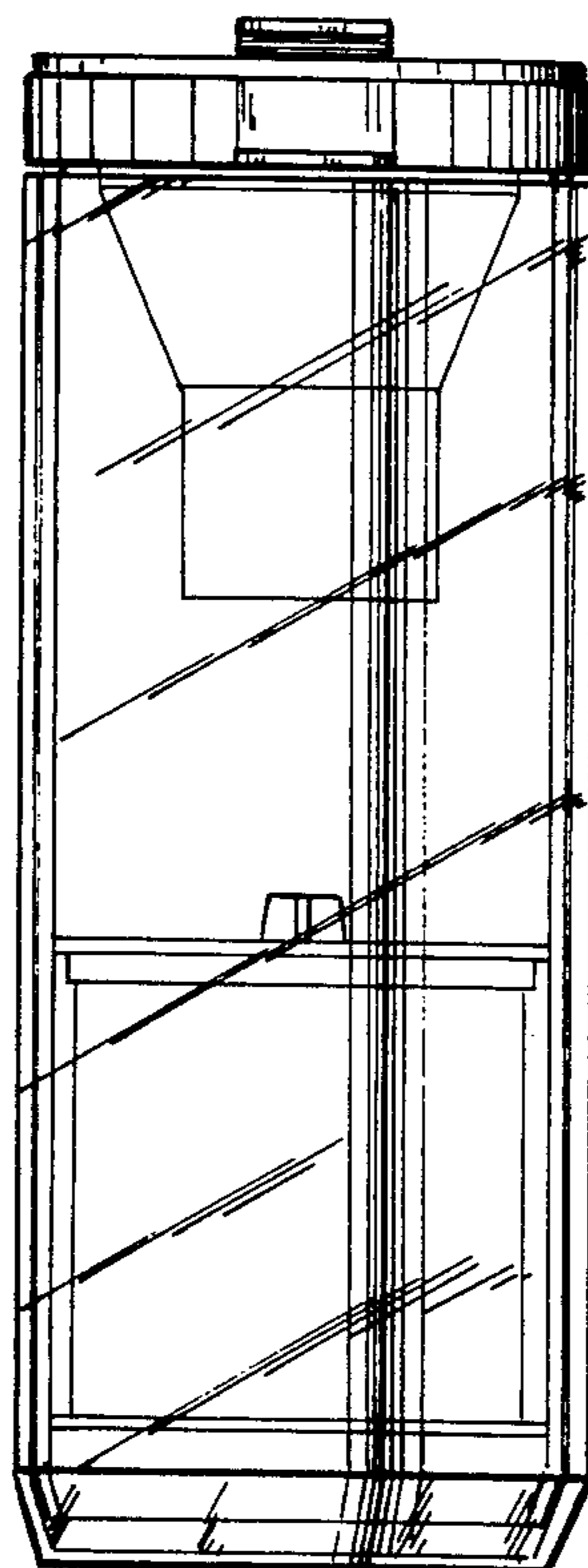
Fig_1



Fig_2



Fig_3



Fig_4

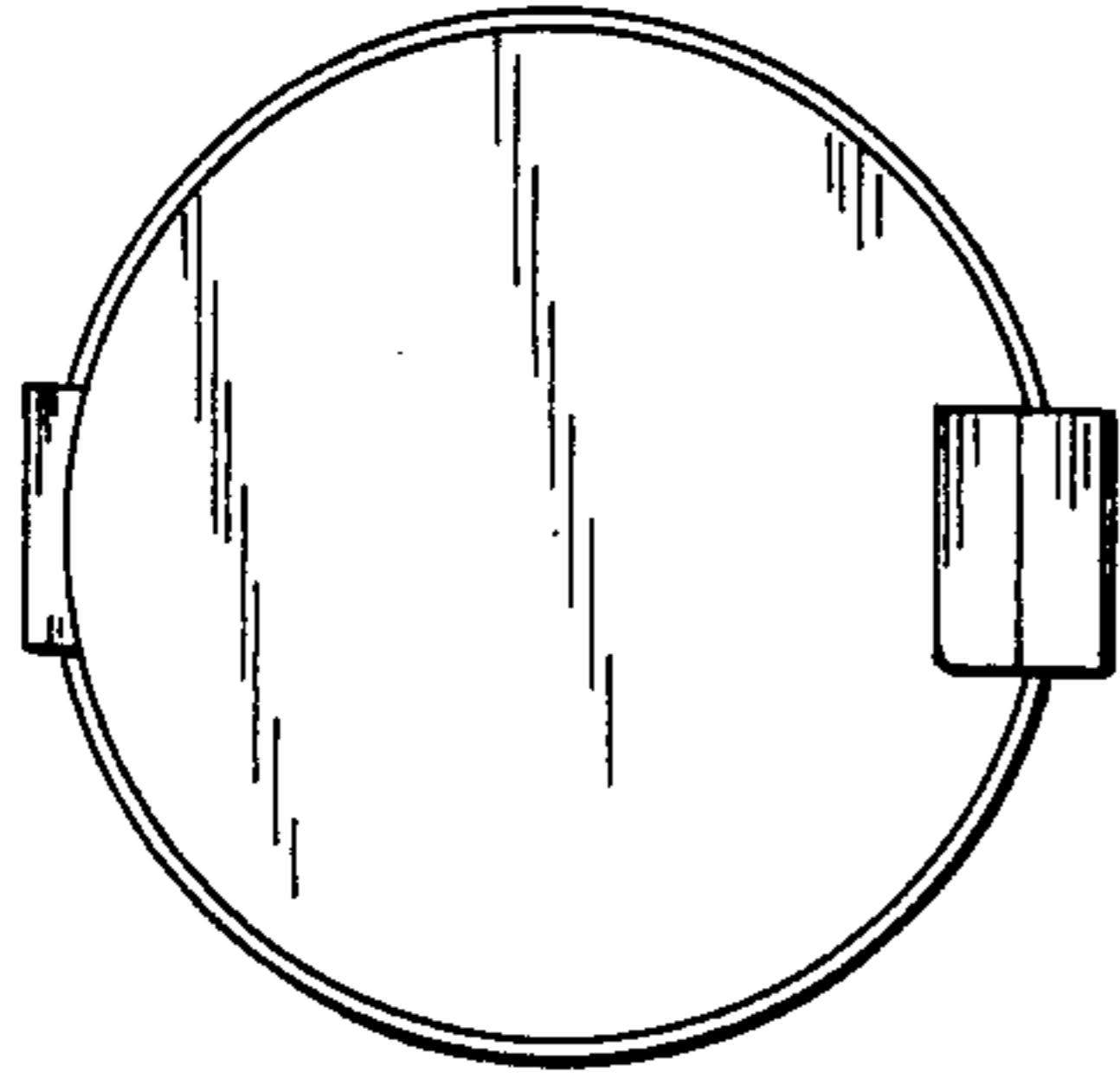


Fig - 5

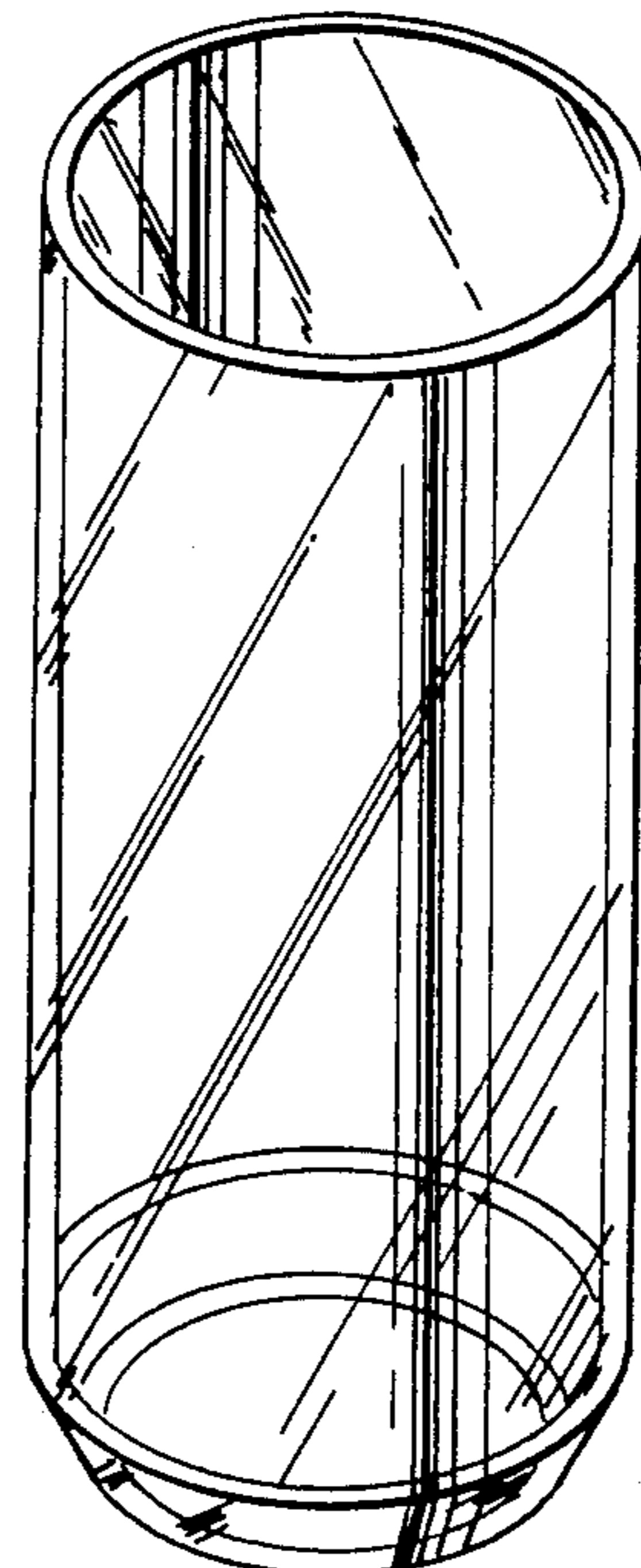
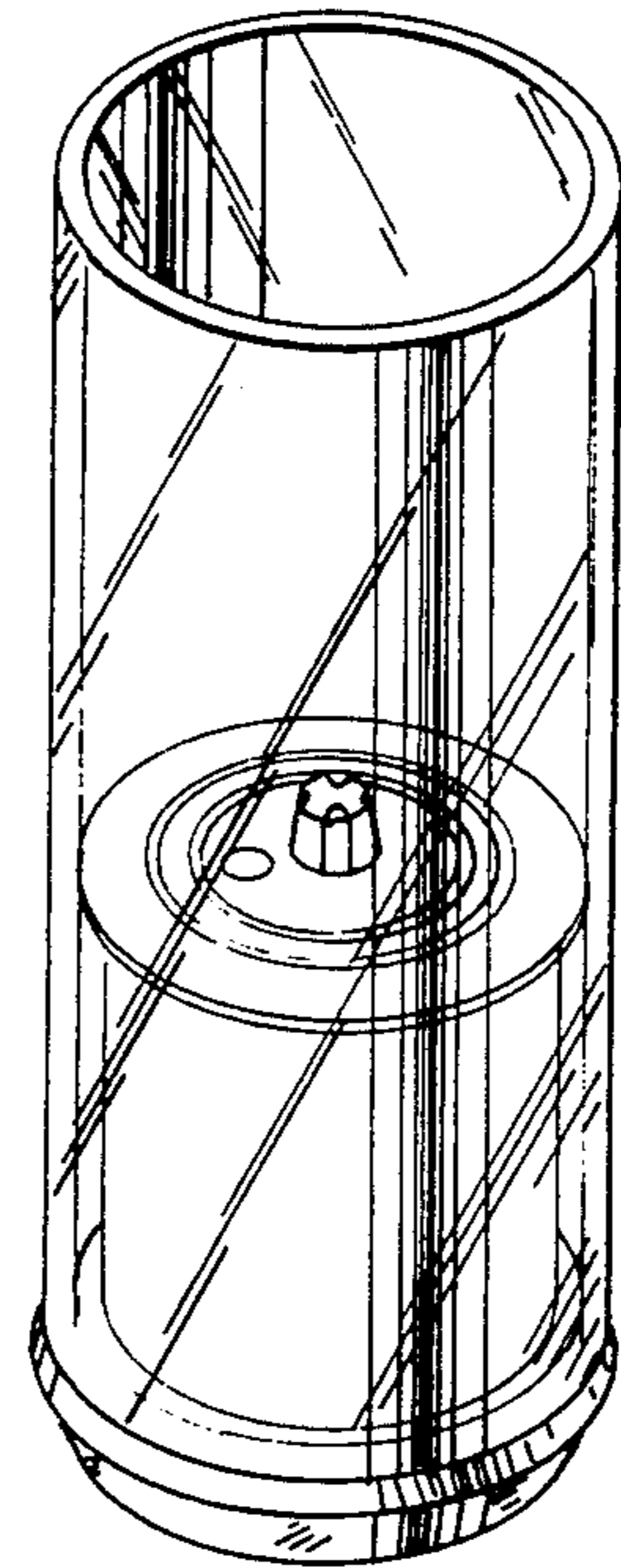
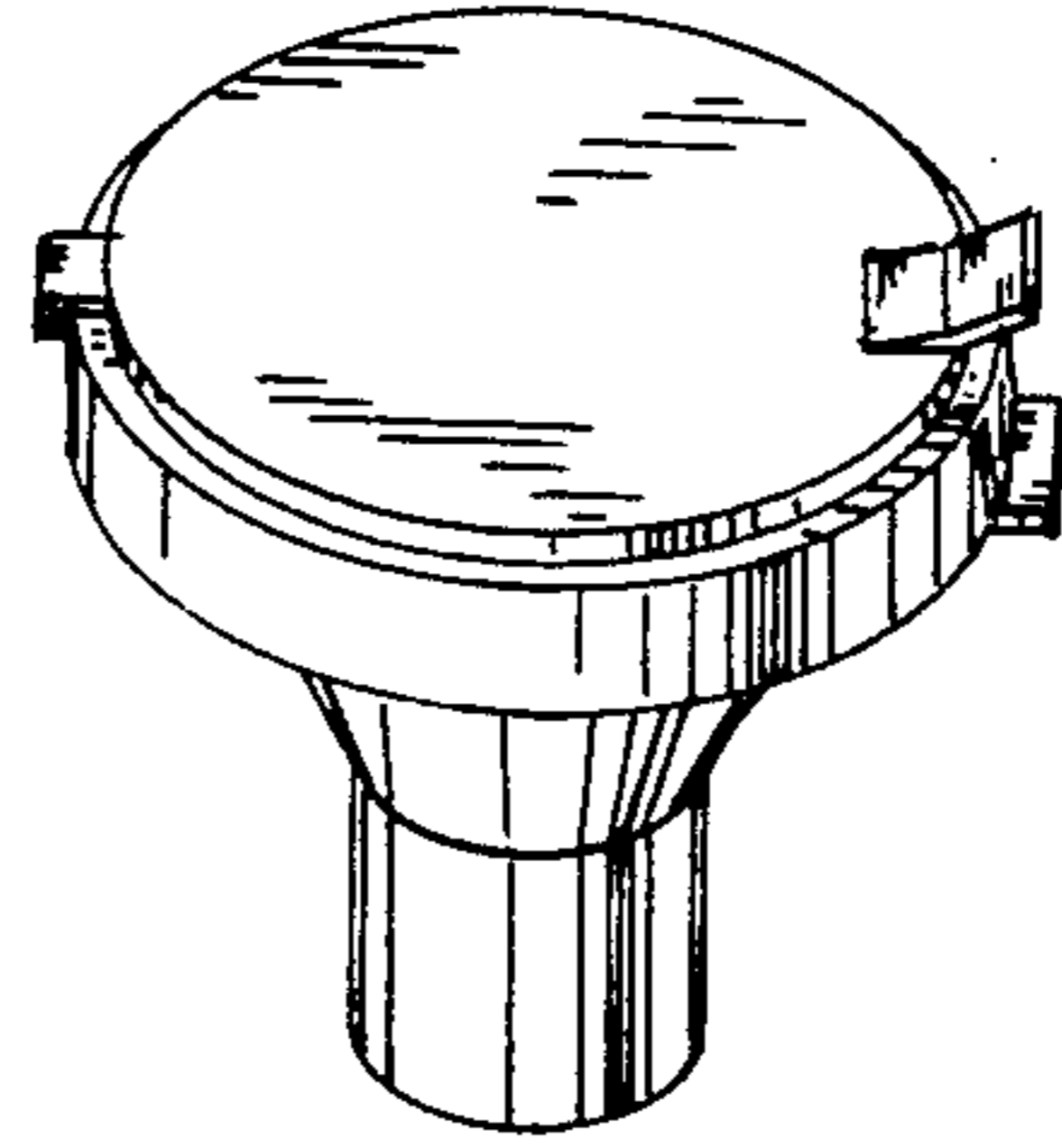


Fig. 7

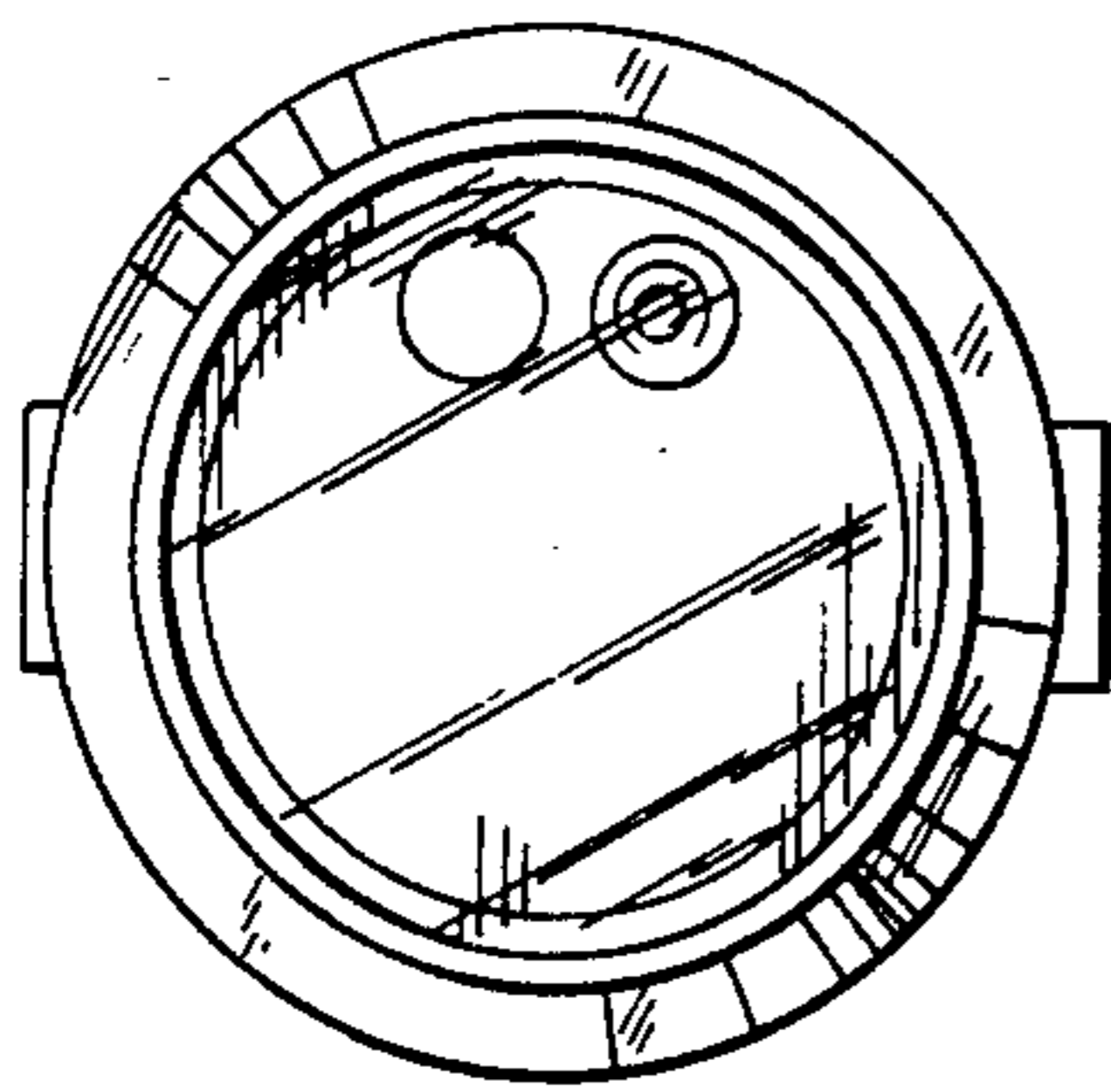


Fig - 6