

[54] ADJUSTING HANDLES FOR BASE ASSEMBLY FOR MICROSCOPES

[75] Inventors: Richard E. Feinbloom, New York; Laszlo Endrodi, Elmhurst, both of N.Y.

[73] Assignee: Designs for Vision, Inc., New York, N.Y.

[**] Term: 14 Years

[21] Appl. No.: 697,926

[22] Filed: Jun. 21, 1976

[51] Int. Cl. D16-06; D16-99

[52] U.S. Cl. D16/83

[58] Field of Search 350/10, 11, 92, 187, 350/52, 301, 23, 52; D16/83

[56] References Cited

U.S. PATENT DOCUMENTS

D. 218,196	7/1970	Merino et al.	D16/83
2,366,410	1/1945	Klemperer et al.	350/52 X
2,453,336	11/1948	Orser	350/23

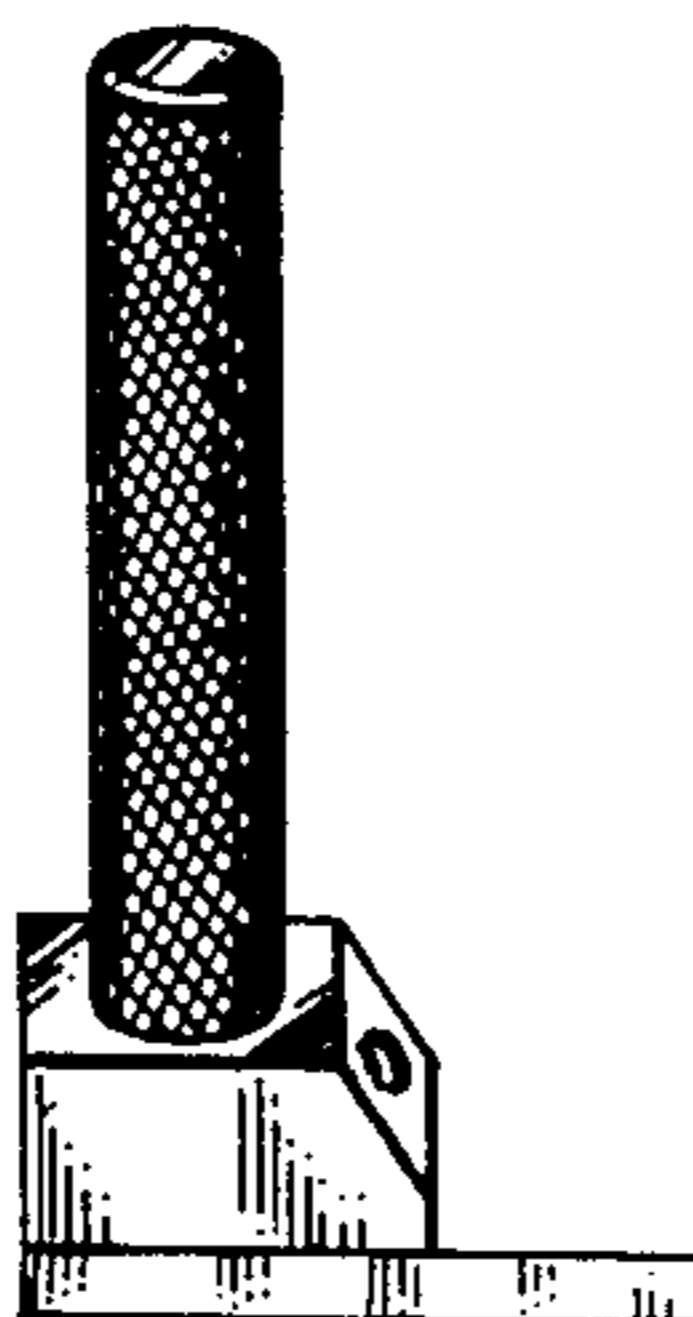
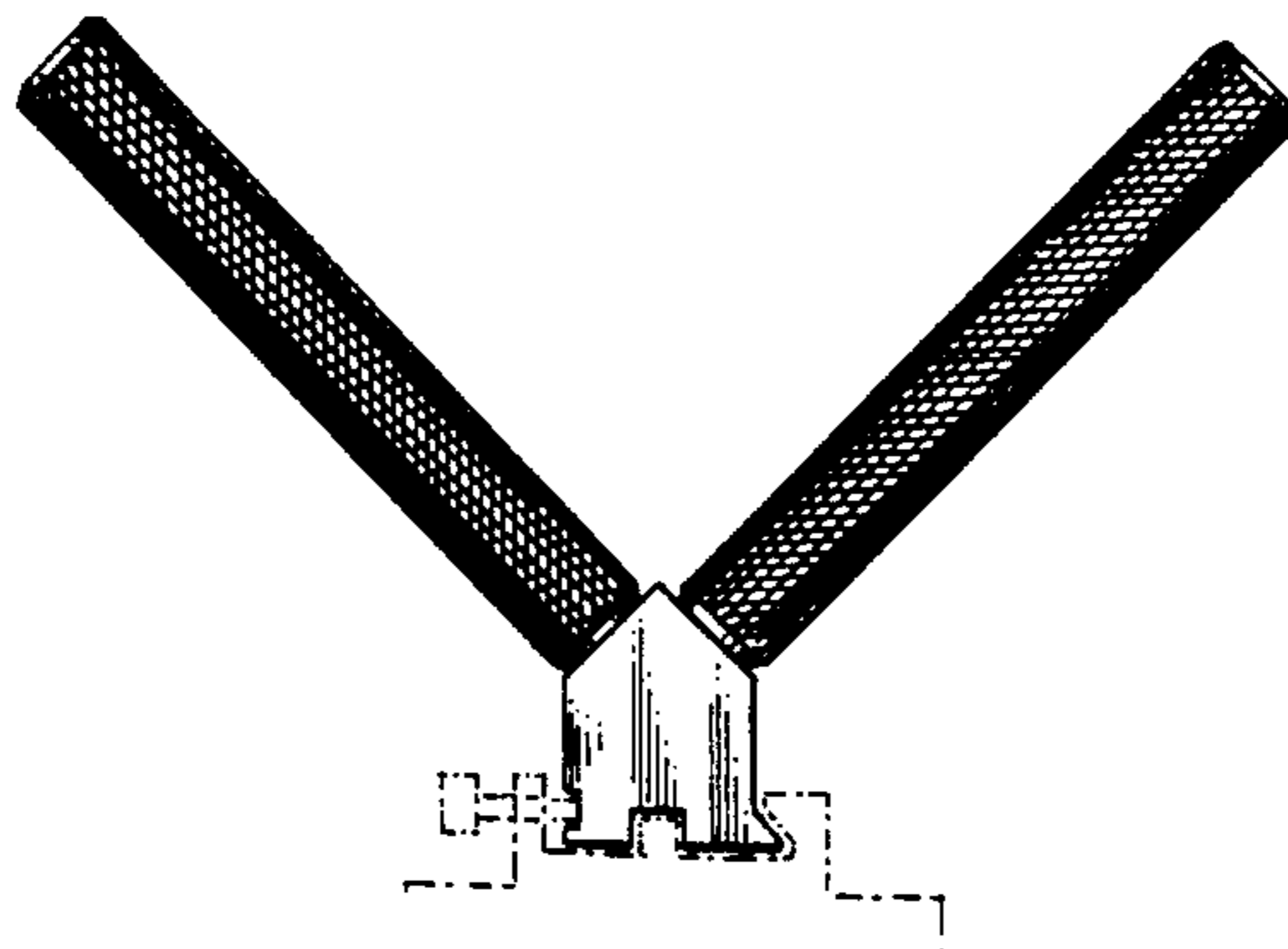
Primary Examiner—Bernard Ansher
Attorney, Agent, or Firm—Arthur L. Plevy

[57] CLAIM

The ornamental design for adjusting handles for base assembly for microscopes, as shown and described.

DESCRIPTION

FIG. 1 is a front view of adjusting handles and base assembly for a microscope showing our new design; FIG. 2 is a rear view of the assembly; FIG. 3 is a top plan view of the assembly; FIG. 4 is a bottom plan view of the assembly; FIG. 5 is a side elevational view of the assembly; FIG. 6 is the opposite side elevational view; and FIG. 7 is a top perspective view of a modified embodiment of the design illustrated in FIG. 1; one of the adjusting handles is separated from the base assembly for clarity of illustration.



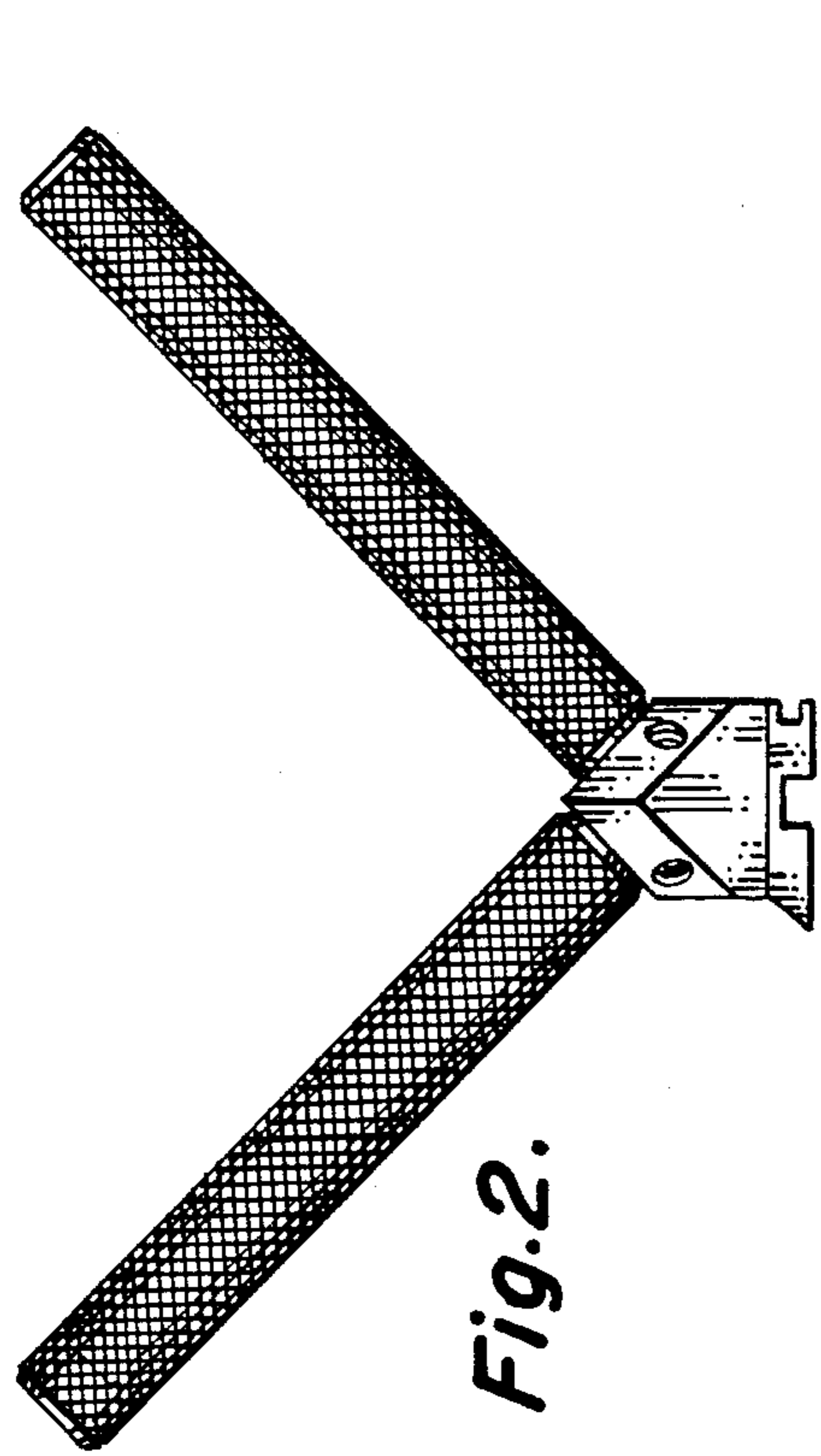


Fig. 1.

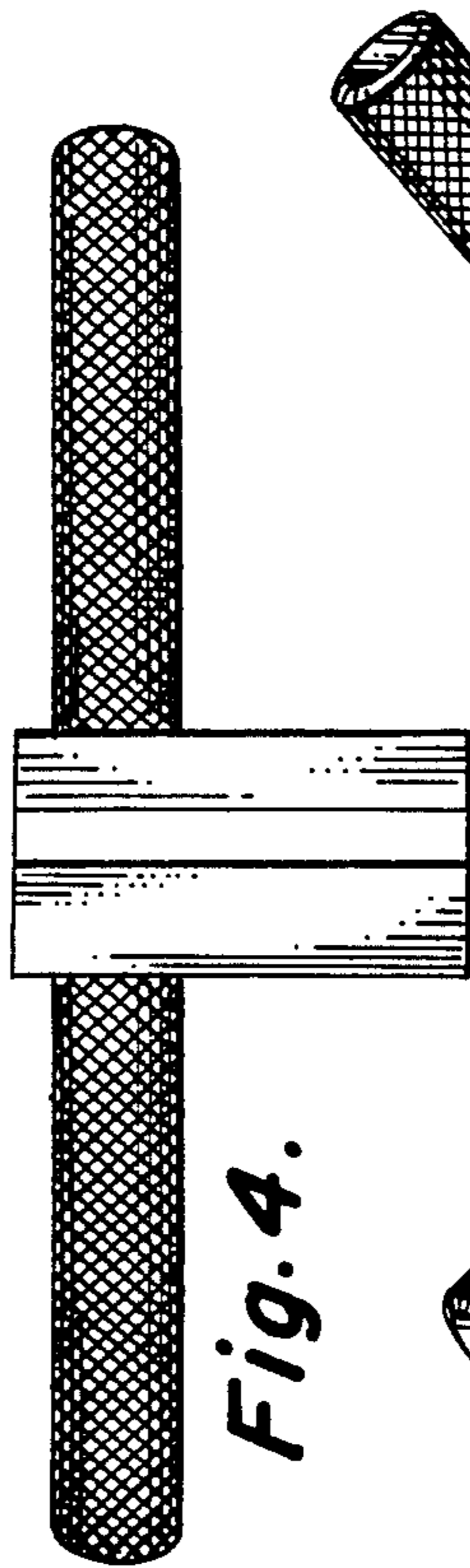


Fig. 2.

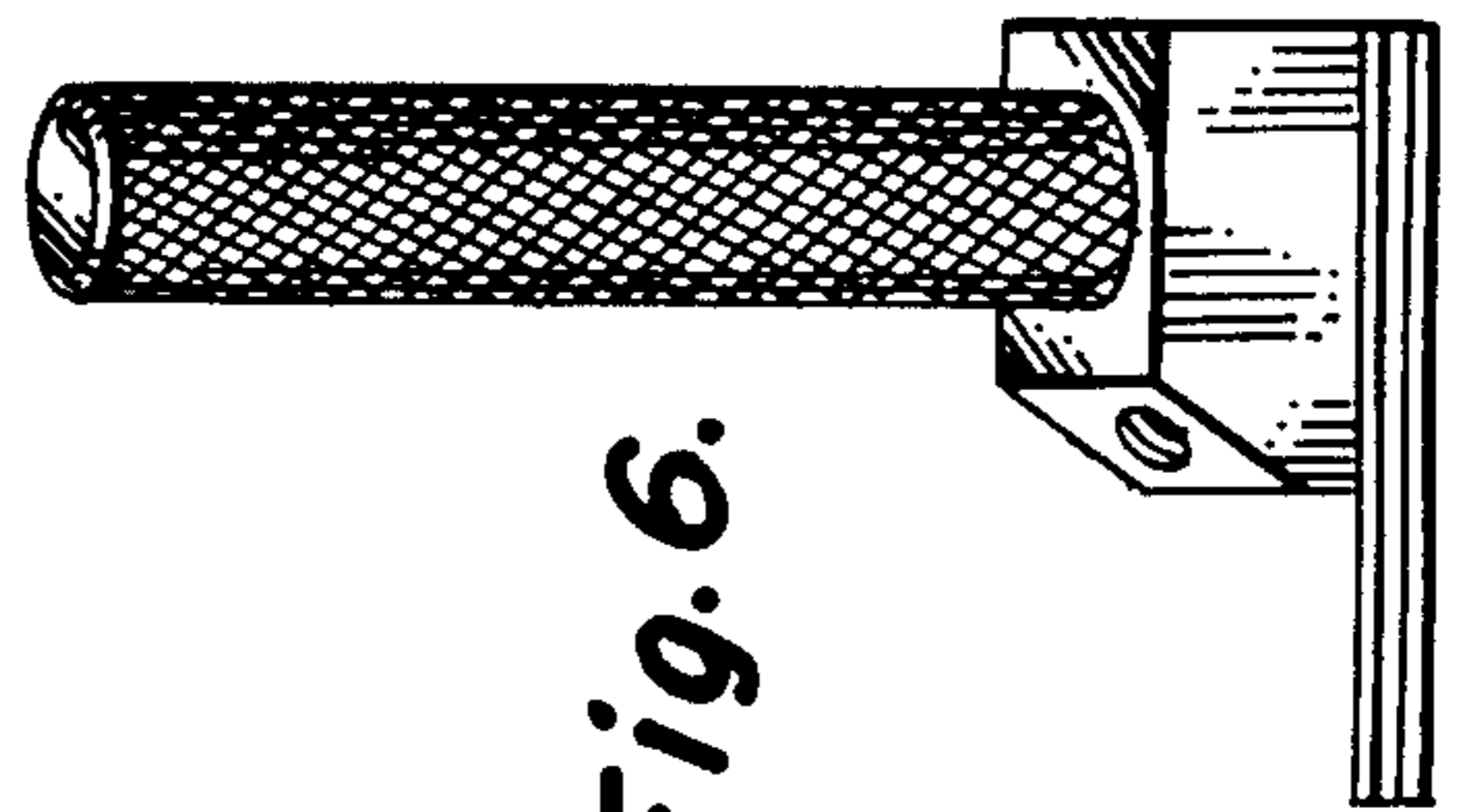


Fig. 3.

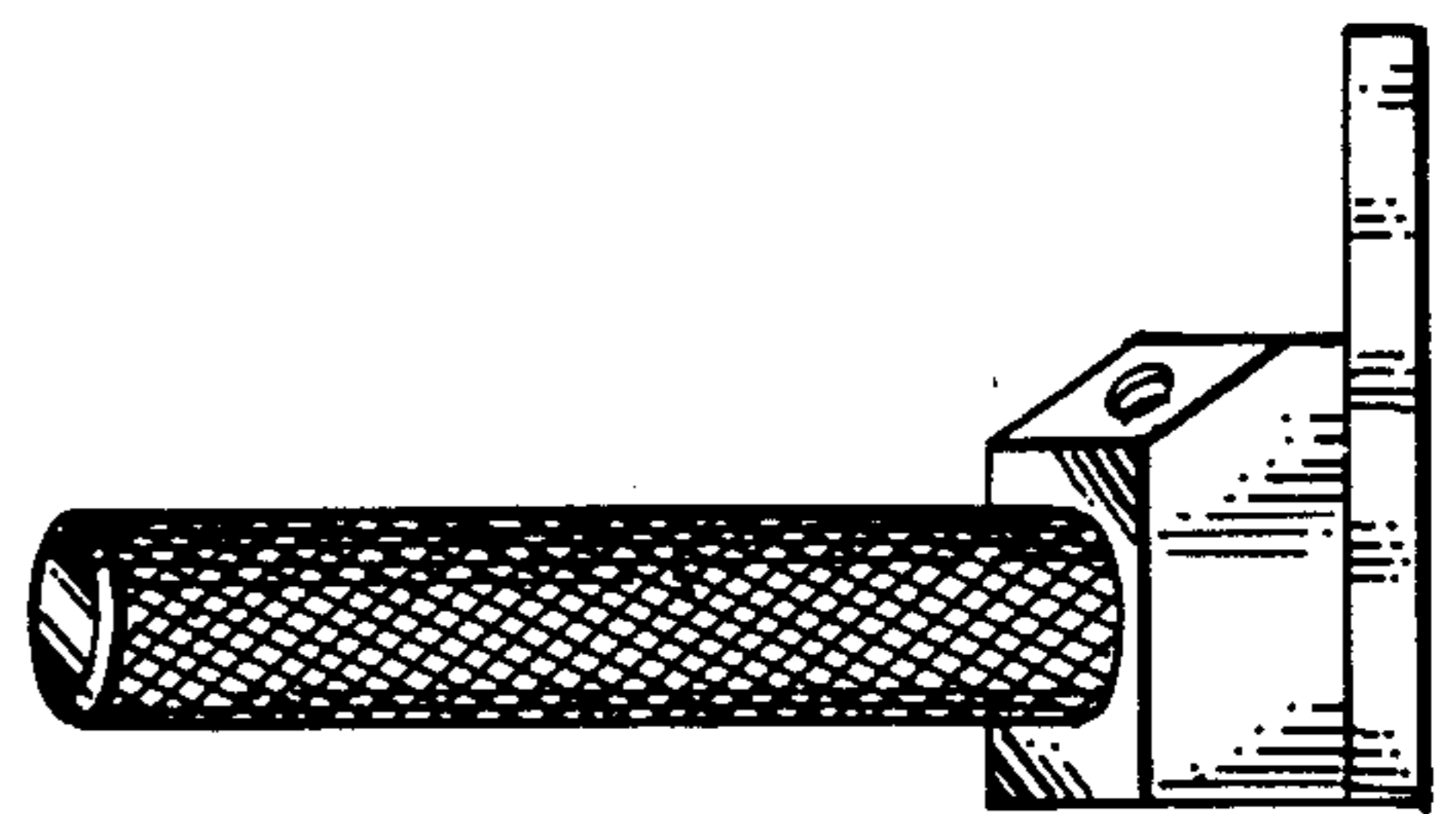


Fig. 4.

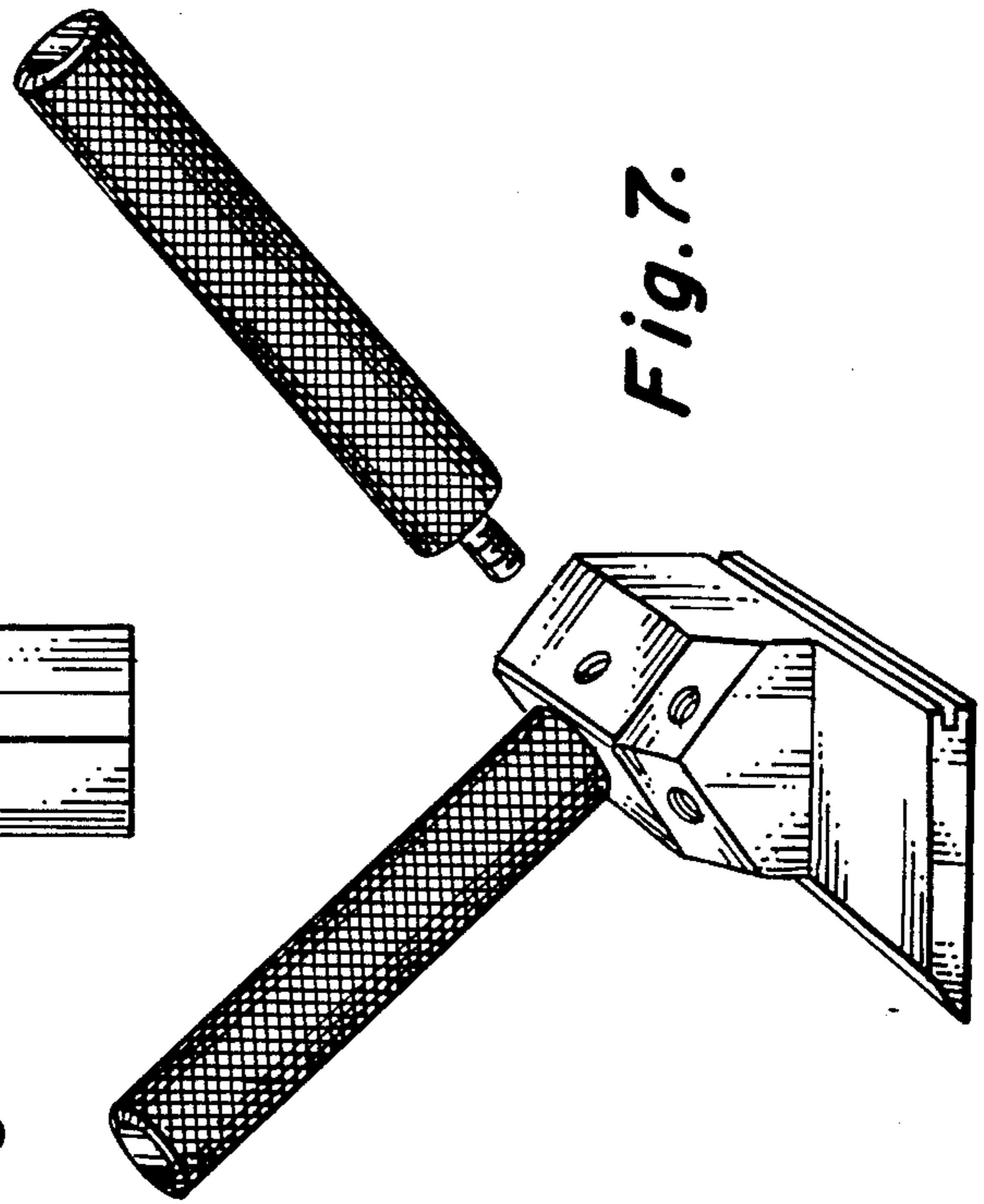


Fig. 5.

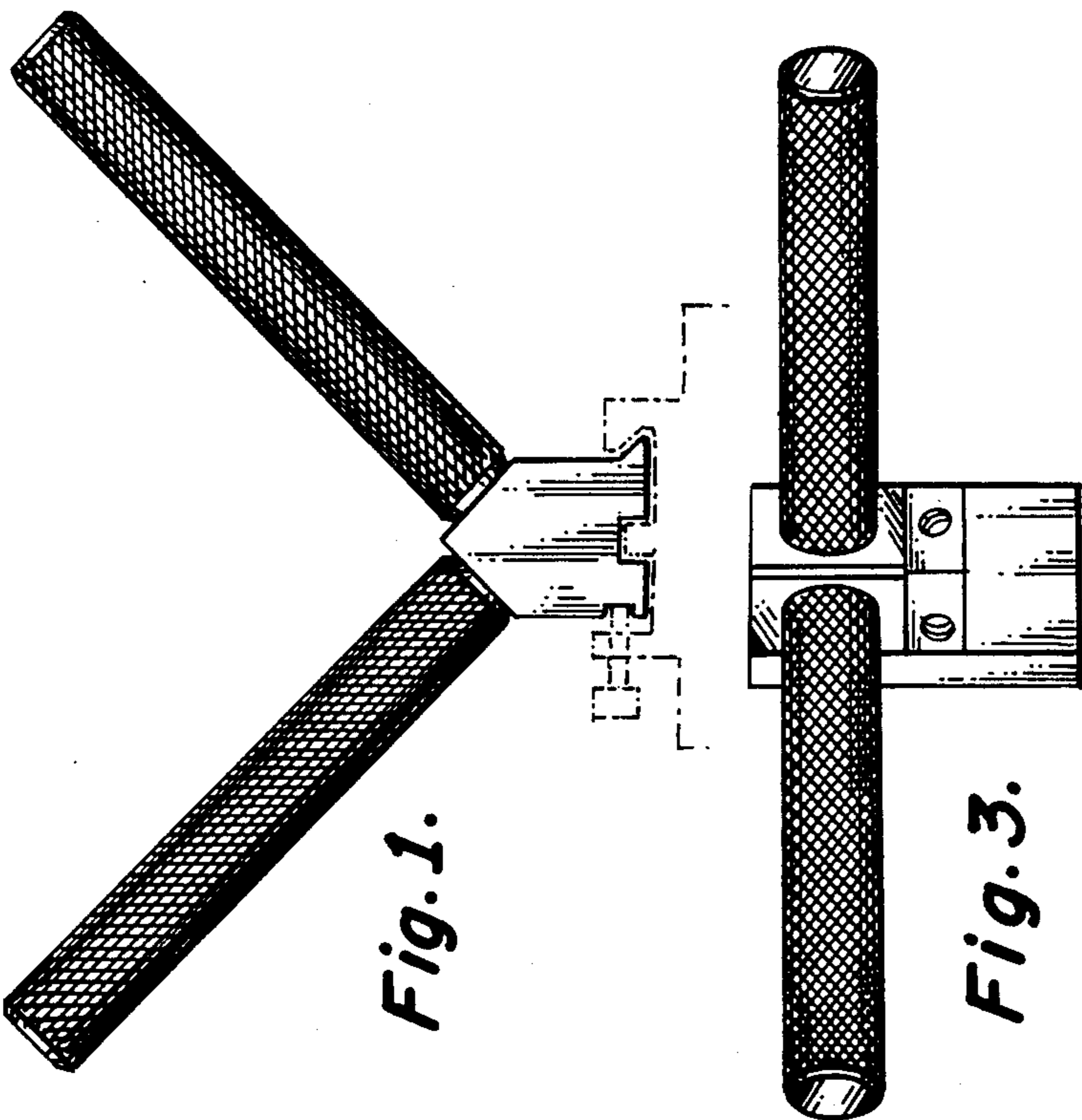


Fig. 6.

Fig. 7.