

[54] SEWING MACHINE

[75] Inventor: Wayne Allen Current, Holmdel, N.J.

[73] Assignee: The Singer Company

[**] Term: 14 Years

[21] Appl. No.: 758,119

[22] Filed: Jan. 10, 1977

[51] Int. Cl. D15-06

[52] U.S. Cl. D15/69

[58] Field of Search 2/258, 259; D15/66-72, D15/76, 78

[56]

References Cited

U.S. PATENT DOCUMENTS

- D. 174,232 3/1955 Matsuda D15/69
- D. 183,405 8/1958 Park D15/69

- D. 194,857 3/1963 Dreyfuss D15/69
- D.220,067 3/1971 Eguchi D15/69
- D. 224,809 9/1972 Genaro D15/69

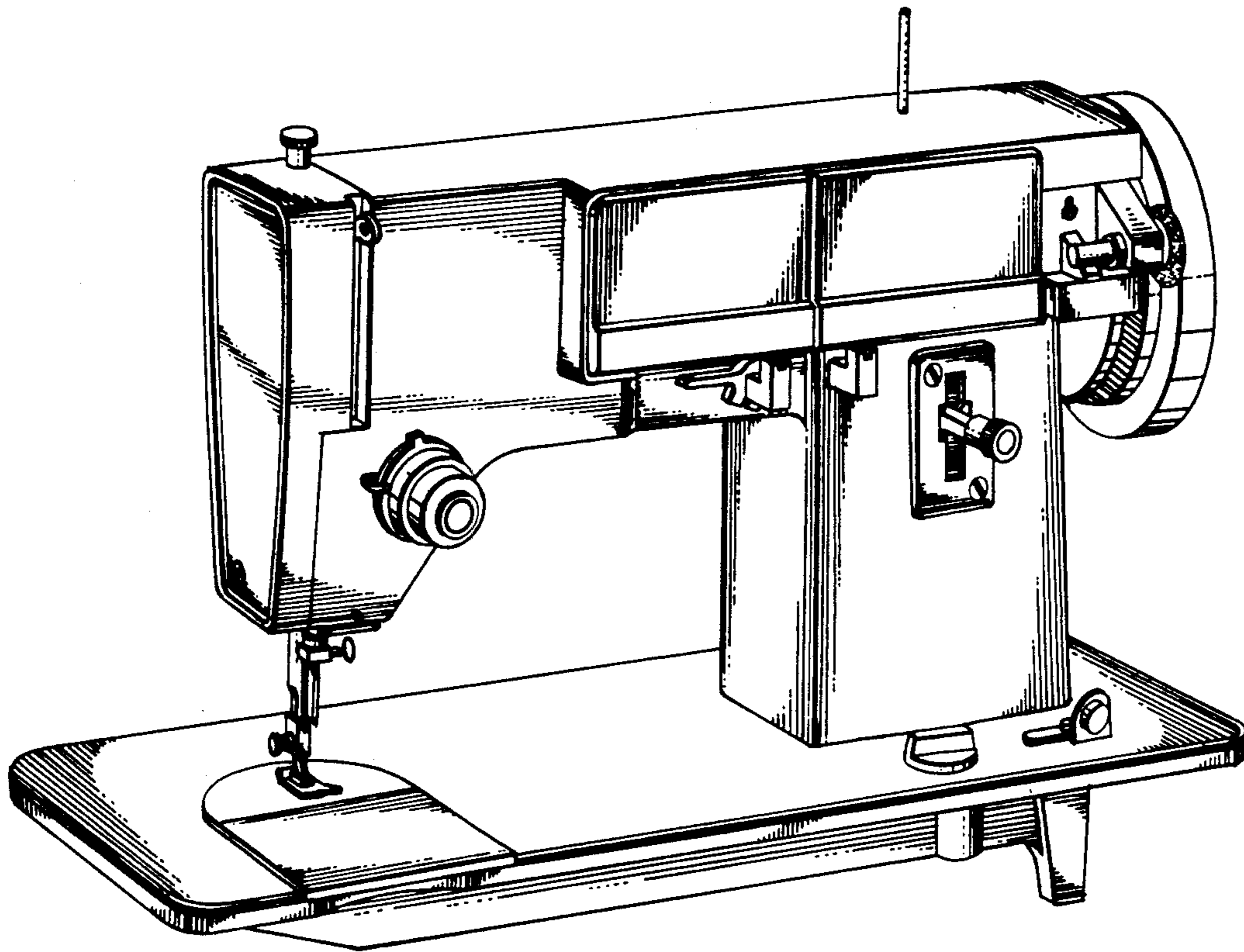
Primary Examiner—Joel Stearman
Assistant Examiner—J. Corrigan
Attorney, Agent, or Firm—Robert E. Smith

[57] CLAIM

The ornamental design for a sewing machine, as shown.

DESCRIPTION

FIG. 1 is a front, top and left side perspective view of a sewing machine showing my new design; FIG. 2 is a rear elevational view; FIG. 3 is a front elevational view; FIG. 4 is a bottom plan view; FIG. 5 is a top plan view; FIG. 6 is a left side elevational view; and FIG. 7 is a right side elevational view.



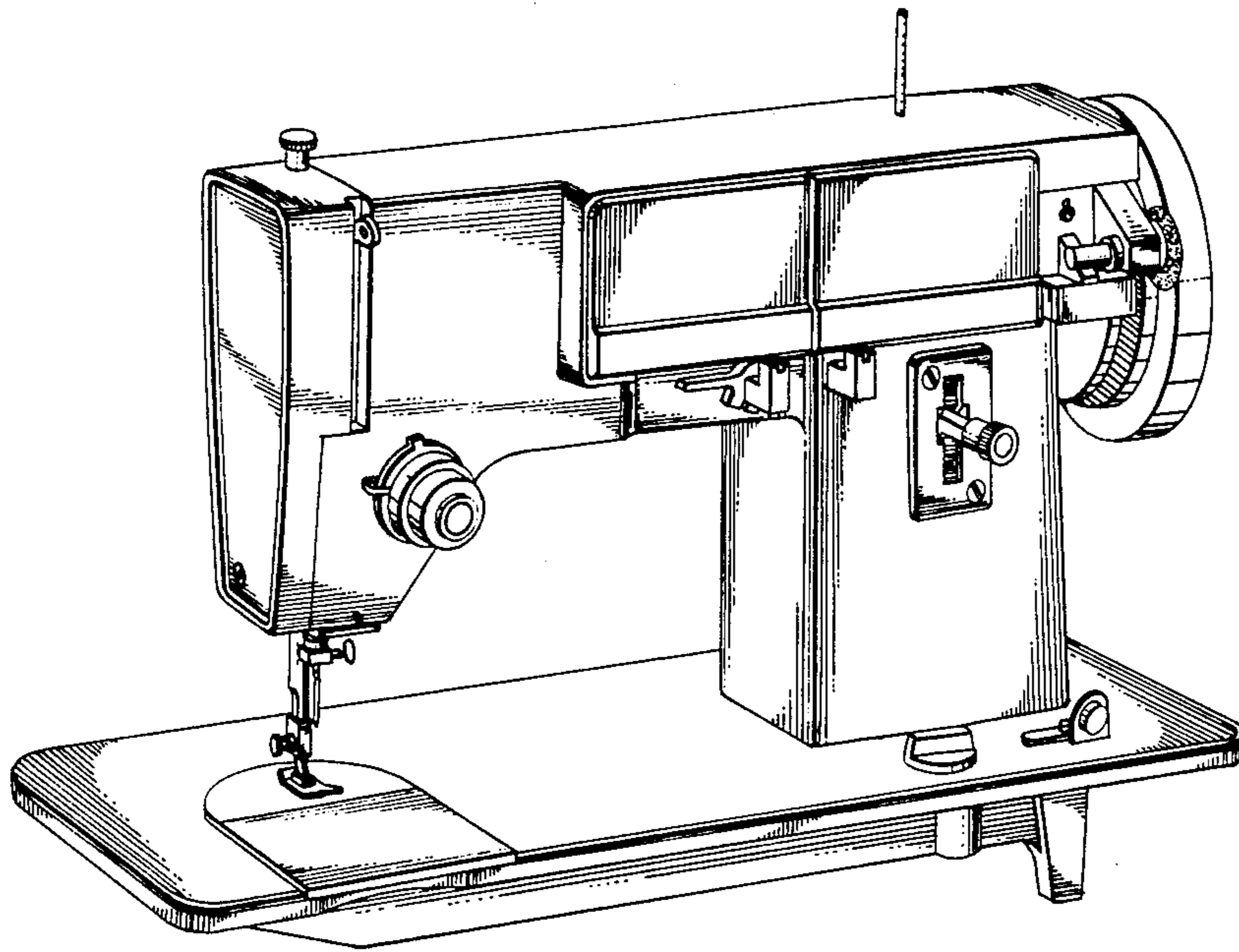


Fig. 1

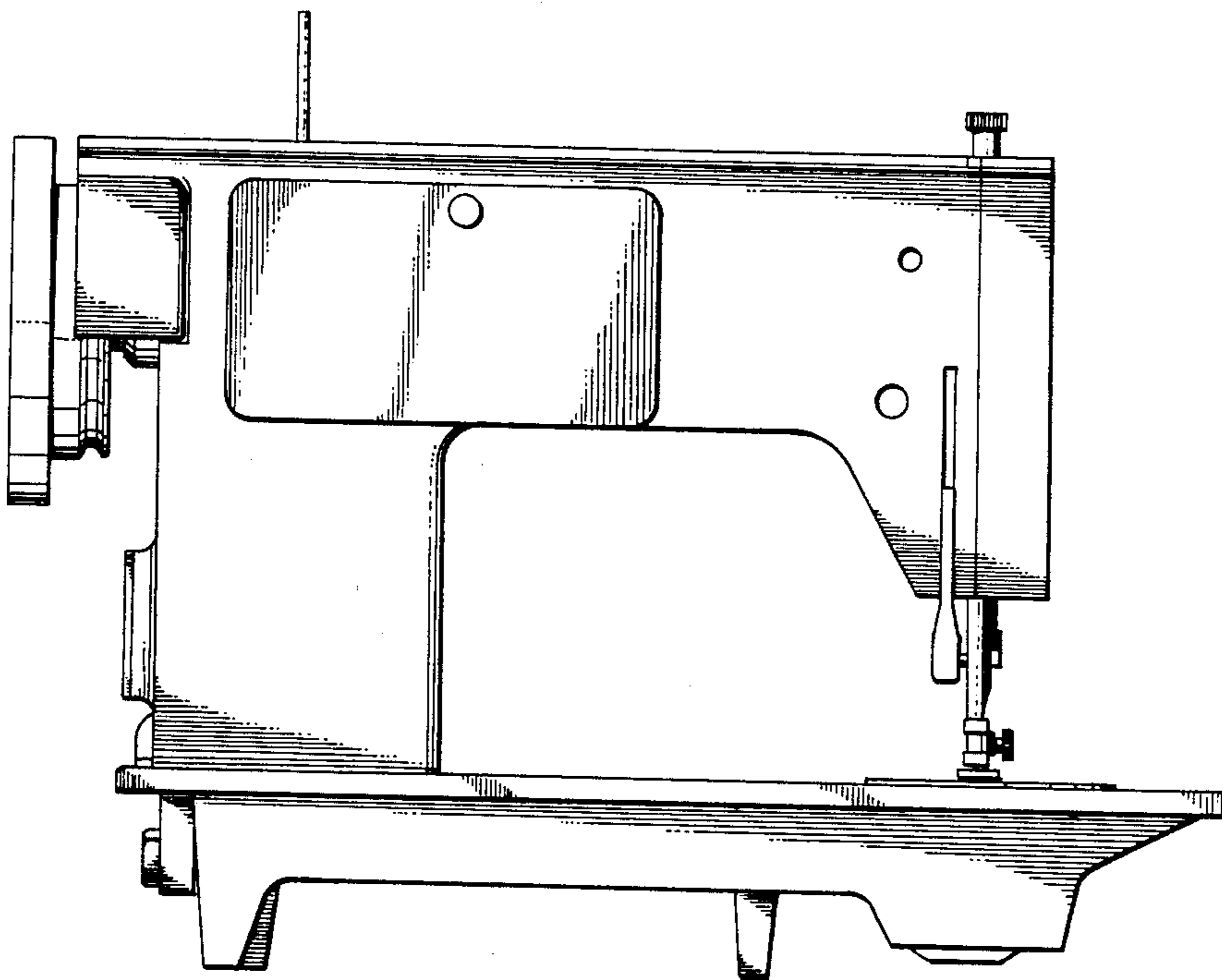


Fig. 2

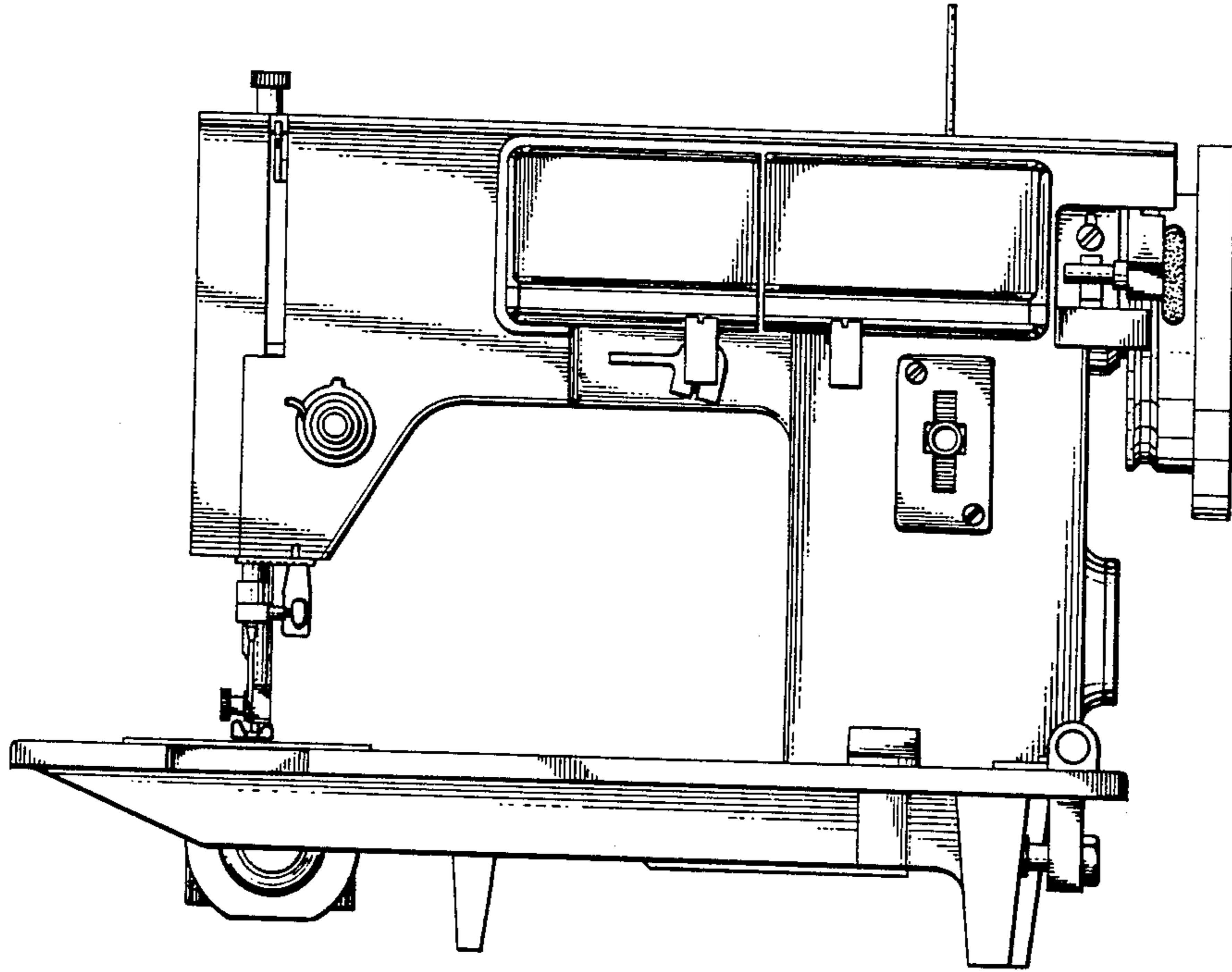


Fig. 3

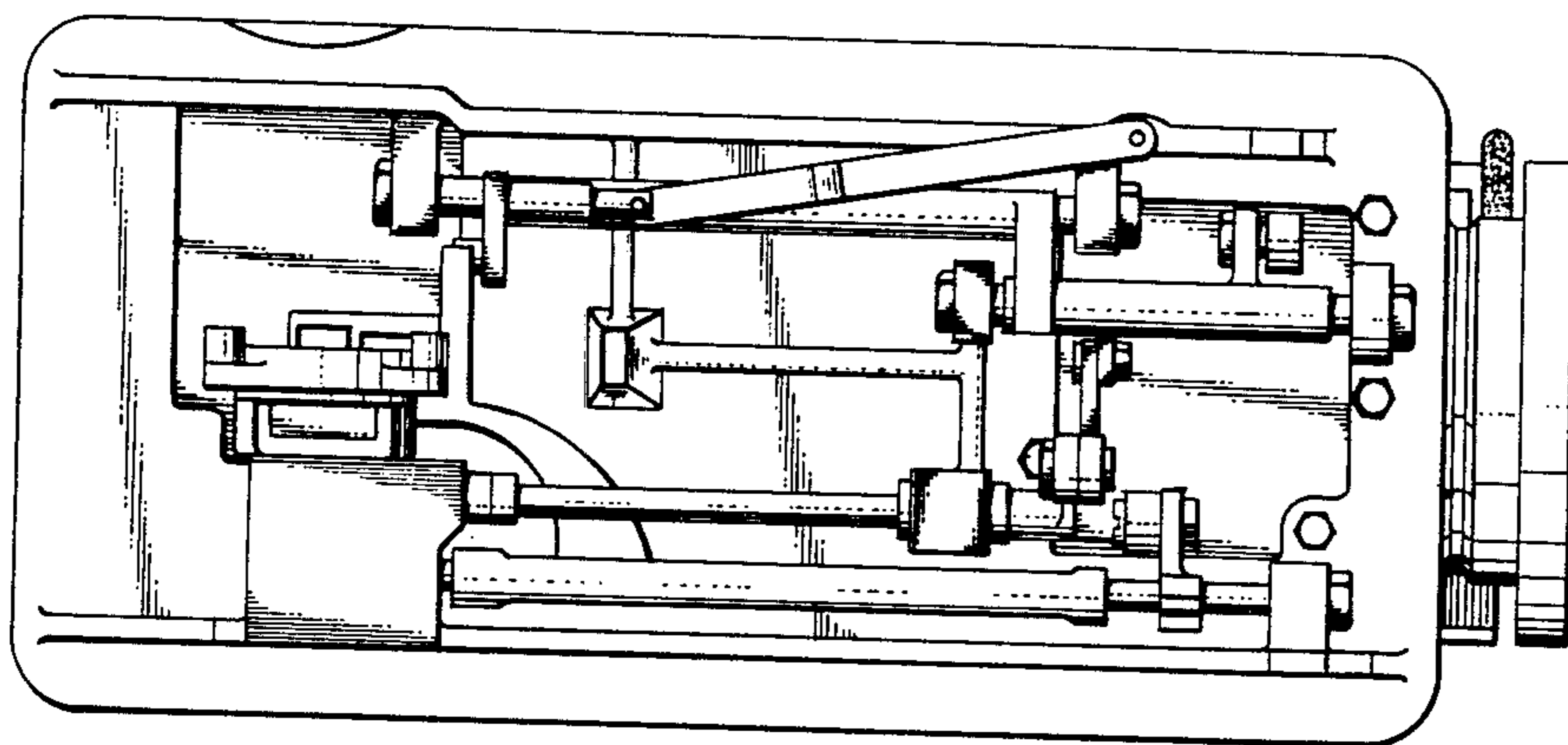


Fig. 4

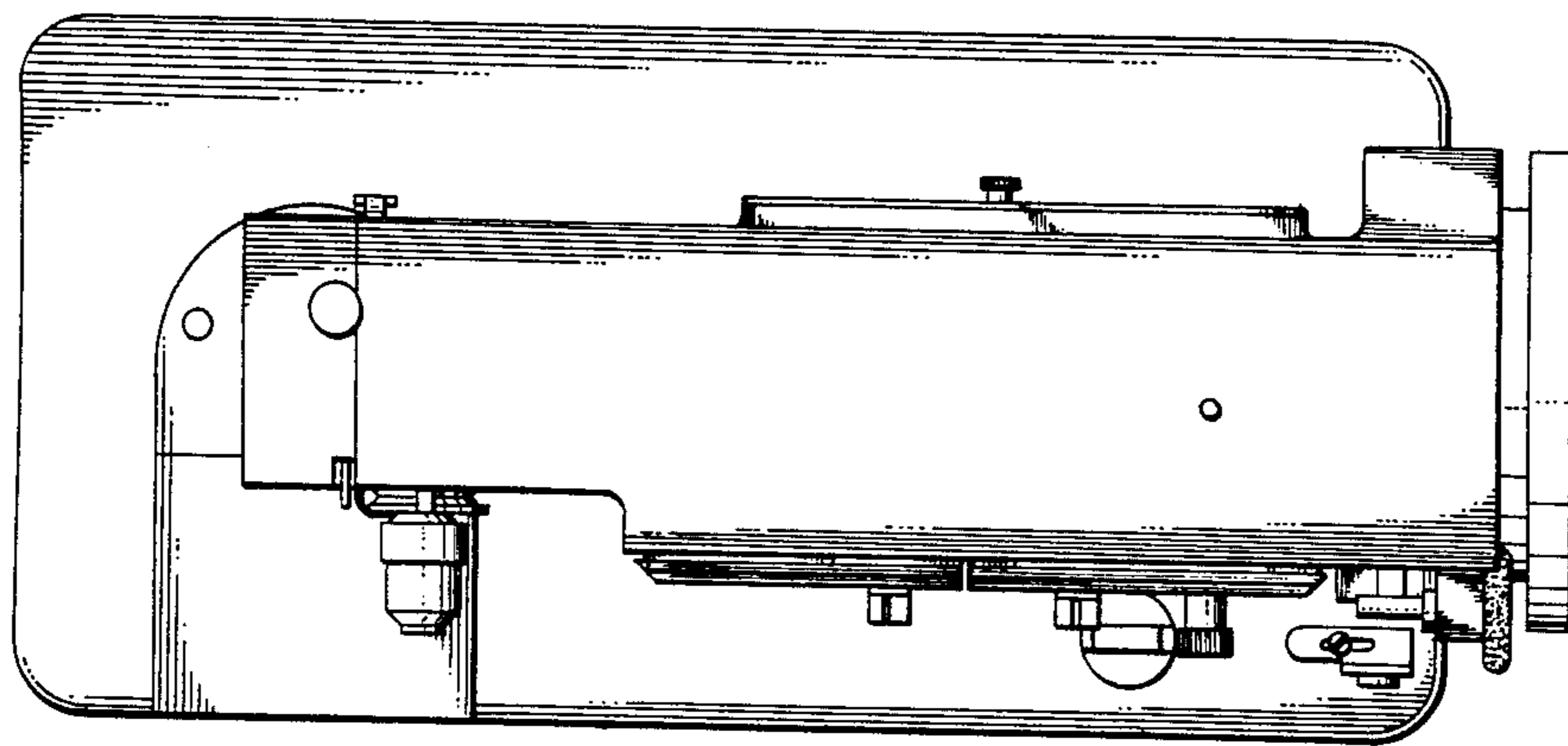


Fig. 5

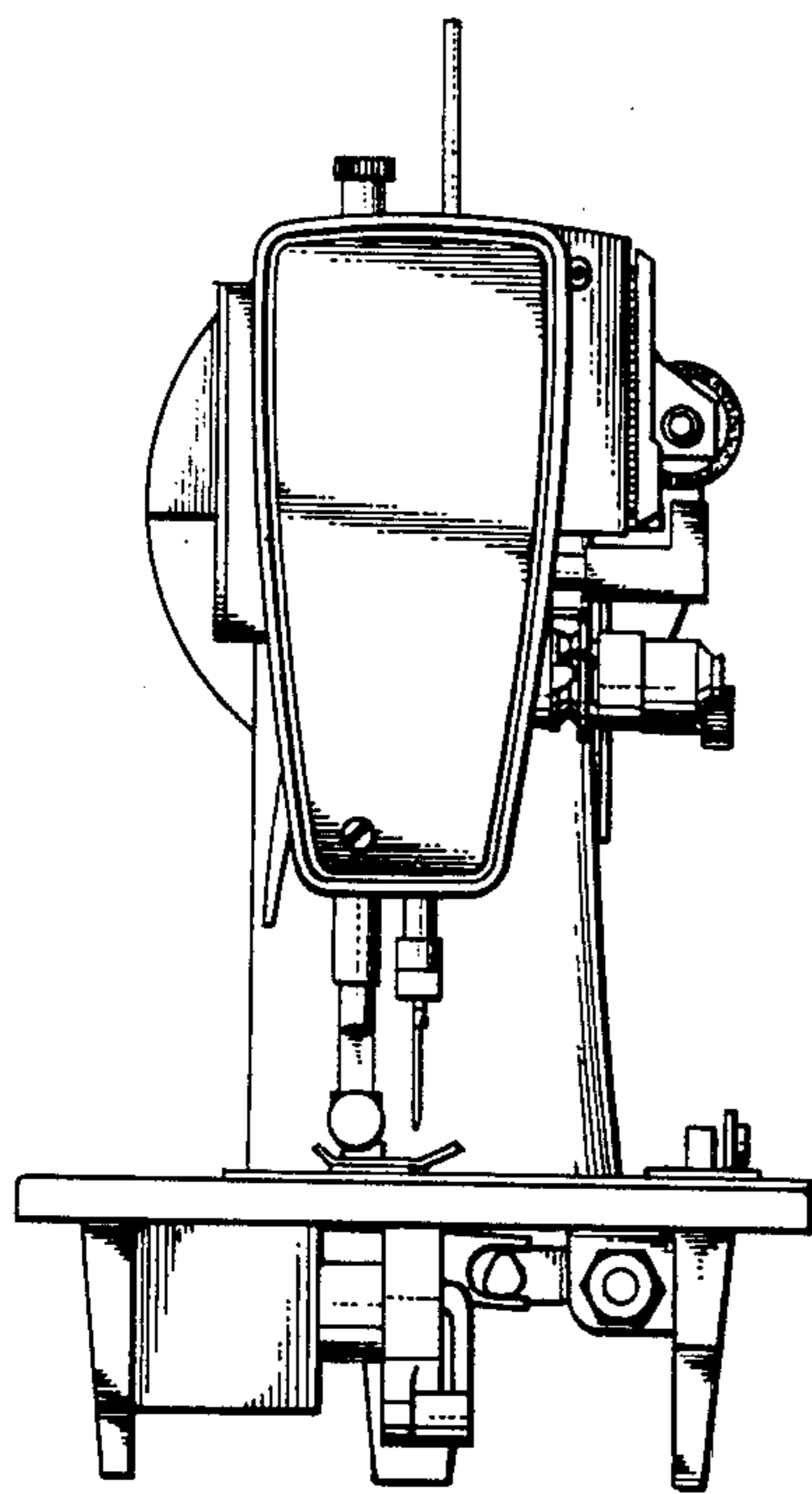


Fig. 6

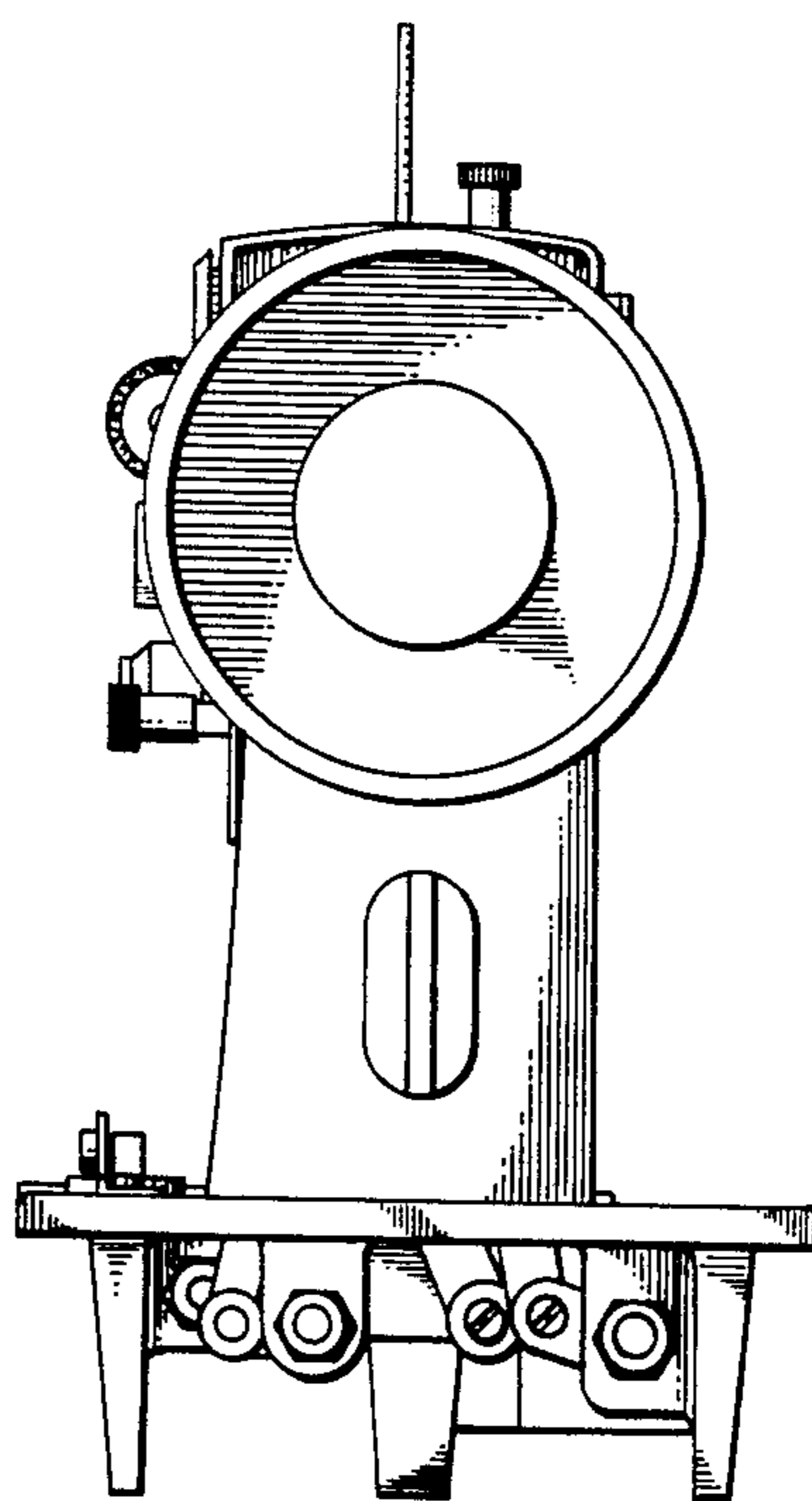


Fig. 7