

[54] COMBINED SELF-PROPELLED TRACTOR AND MOWING APPARATUS

[75] Inventors: John F. Brackin, Minnetonka; Robert D. Lampher, Burnsville; Melvin H. Jendersee, Apple Valley; James F. Stewart, Shoreview, all of Minn.

[73] Assignee: The Toro Company, Minneapolis, Minn.

[\*\*] Term: 14 Years

[21] Appl. No.: 821,294

[22] Filed: Aug. 1, 1977

[51] Int. Cl. .... D15-03

[52] U.S. Cl. .... D15/15

[58] Field of Search ..... D15/15; 56/11.1, 11.2, 56/11.6, 15.3, 15.7-15.9, 16.3, 14.9

[56] References Cited

U.S. PATENT DOCUMENTS

D. 205,042 6/1966 Zurek ..... D15/15  
D. 242,940 1/1977 Ehrlin et al. .... D15/15

Primary Examiner—Wallace R. Burke  
Assistant Examiner—James M. Gandy  
Attorney, Agent, or Firm—Vernon A. Johnson

[57] CLAIM

The ornamental design for a combined self propelled tractor and mowing apparatus, as shown.

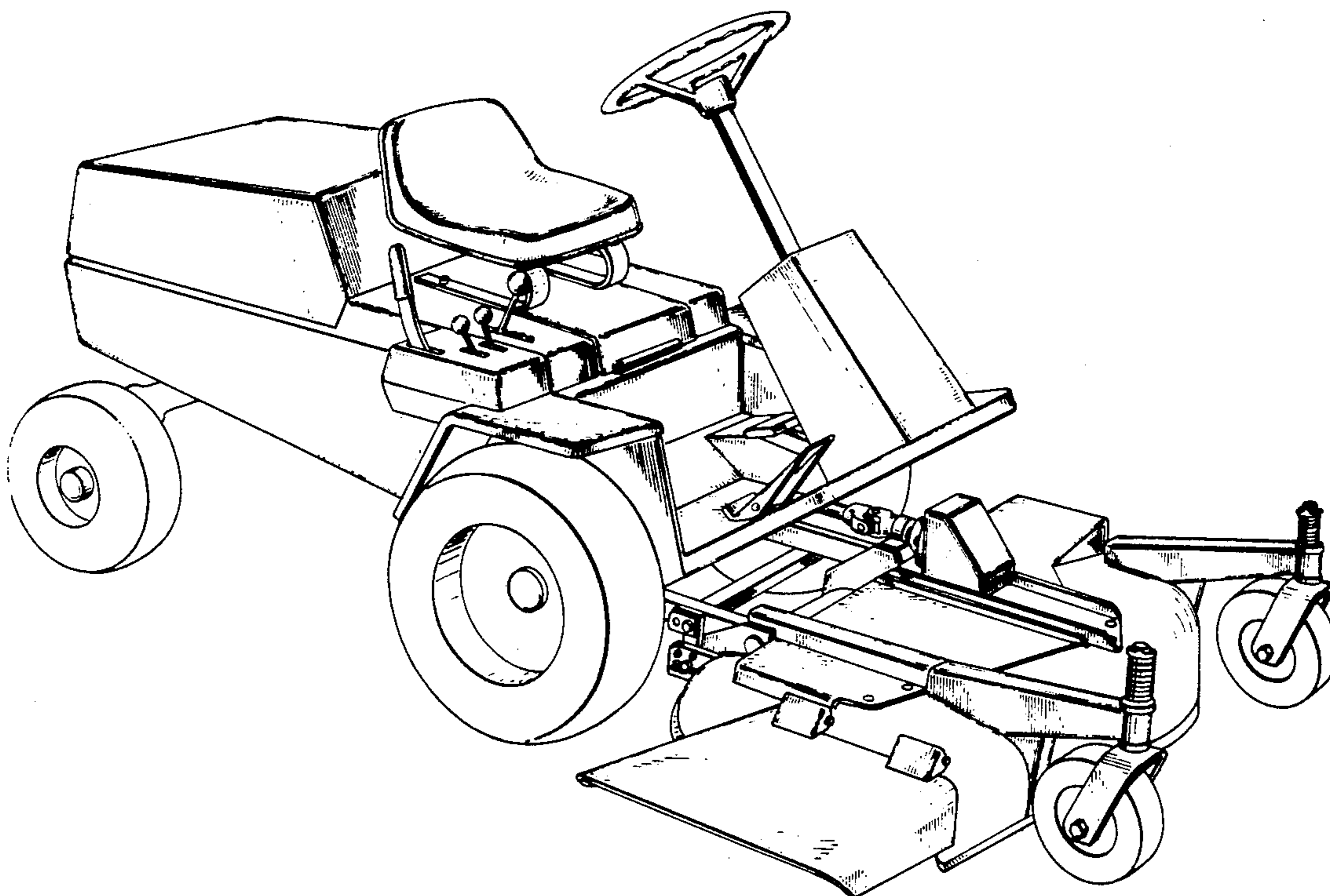
DESCRIPTION

FIG. 1 is a perspective view of a combined self-propelled tractor and mowing apparatus showing our new design;

FIG. 2 is an elevational view thereof of the side opposite to that shown FIG. 1;

FIG. 3 is a front elevational view thereof; and

FIG. 4 is a rear elevational view thereof.



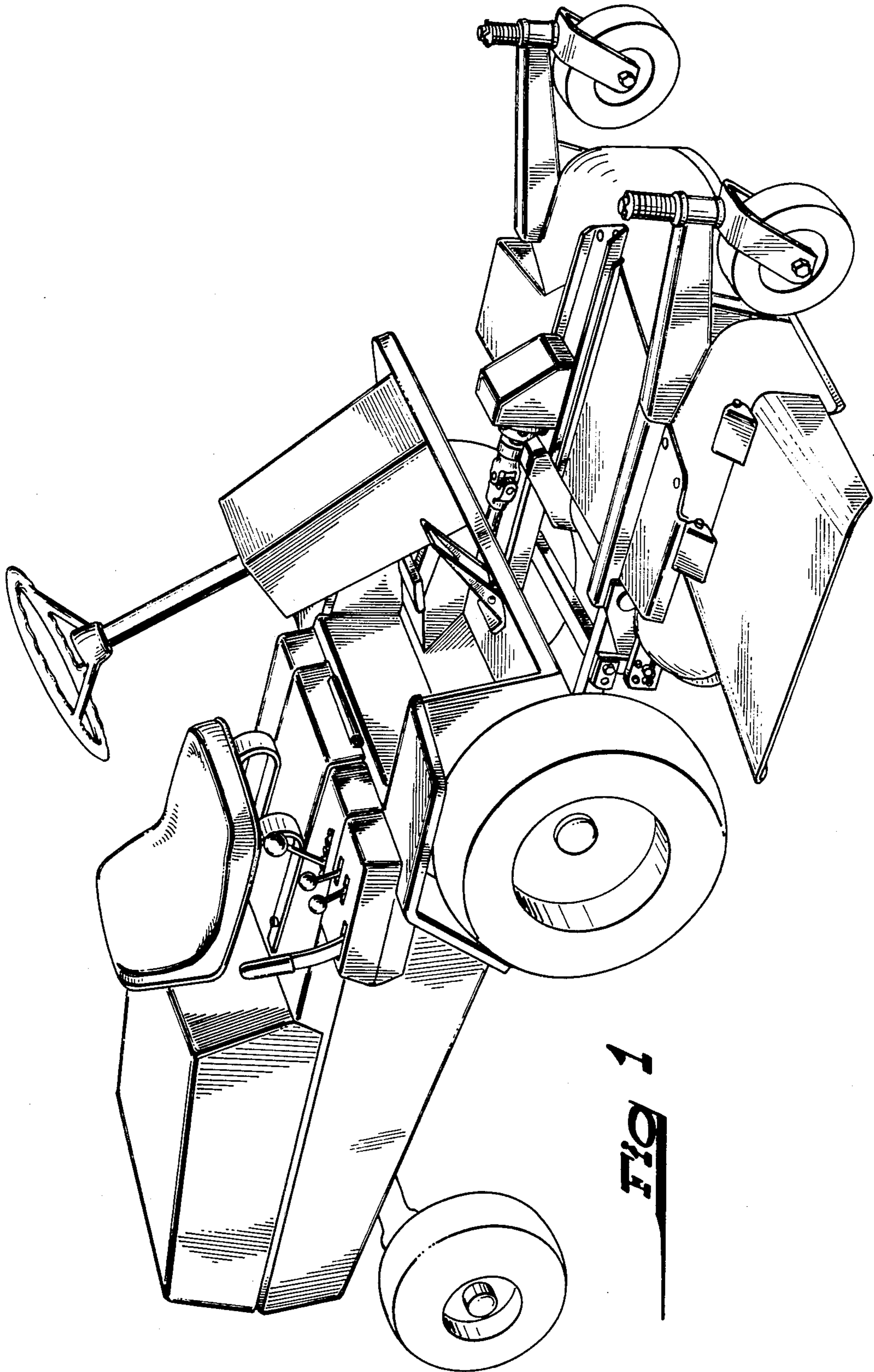
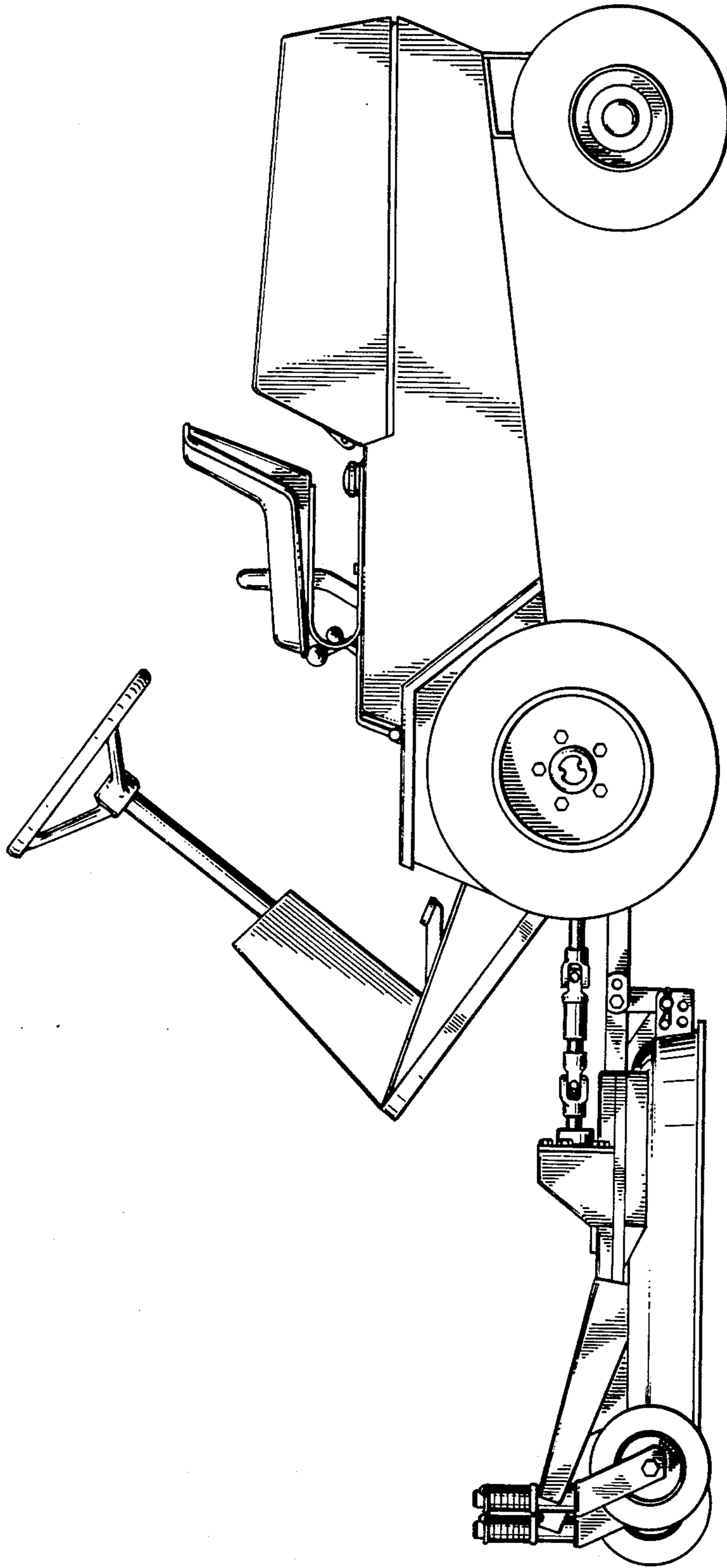
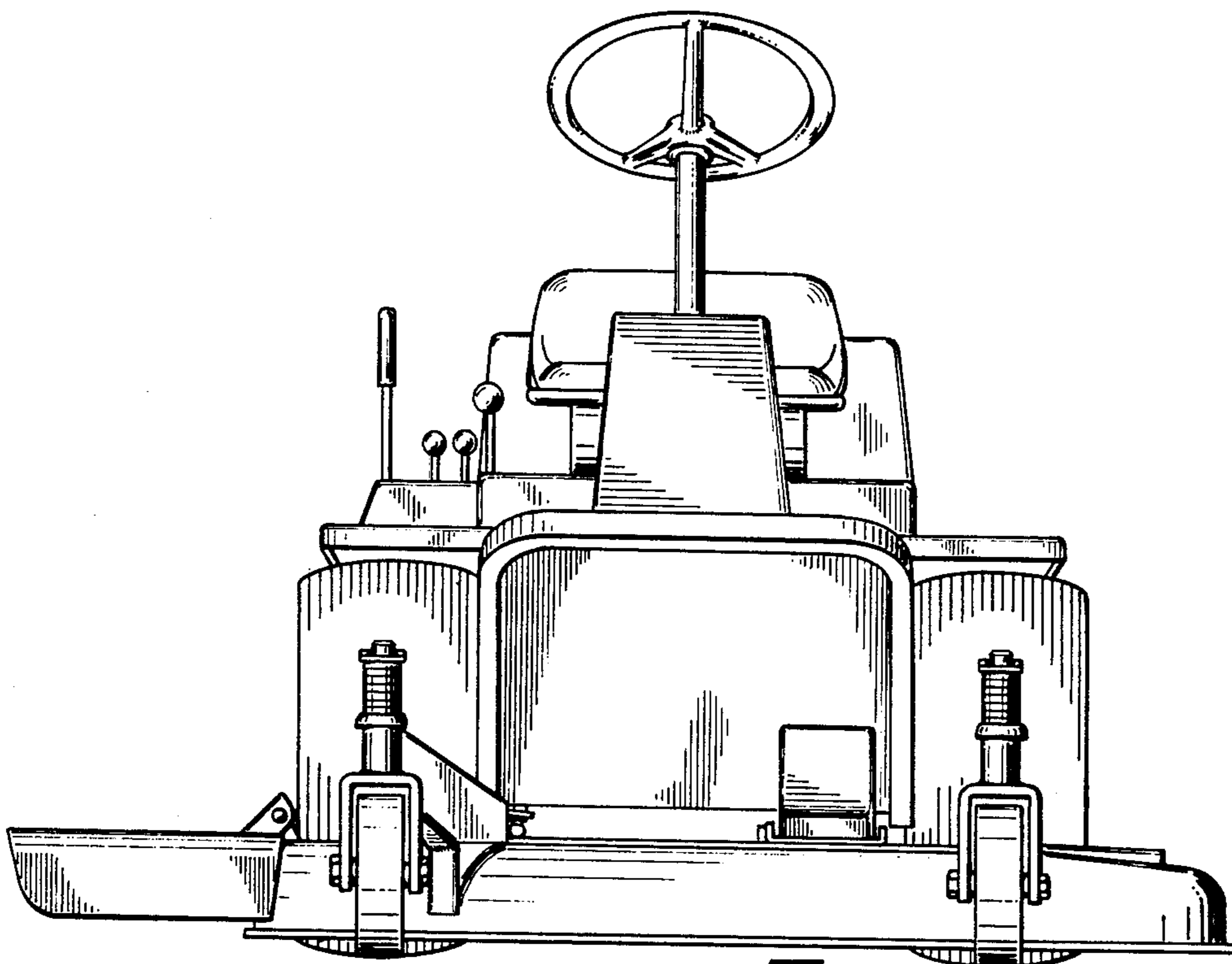


FIG 1

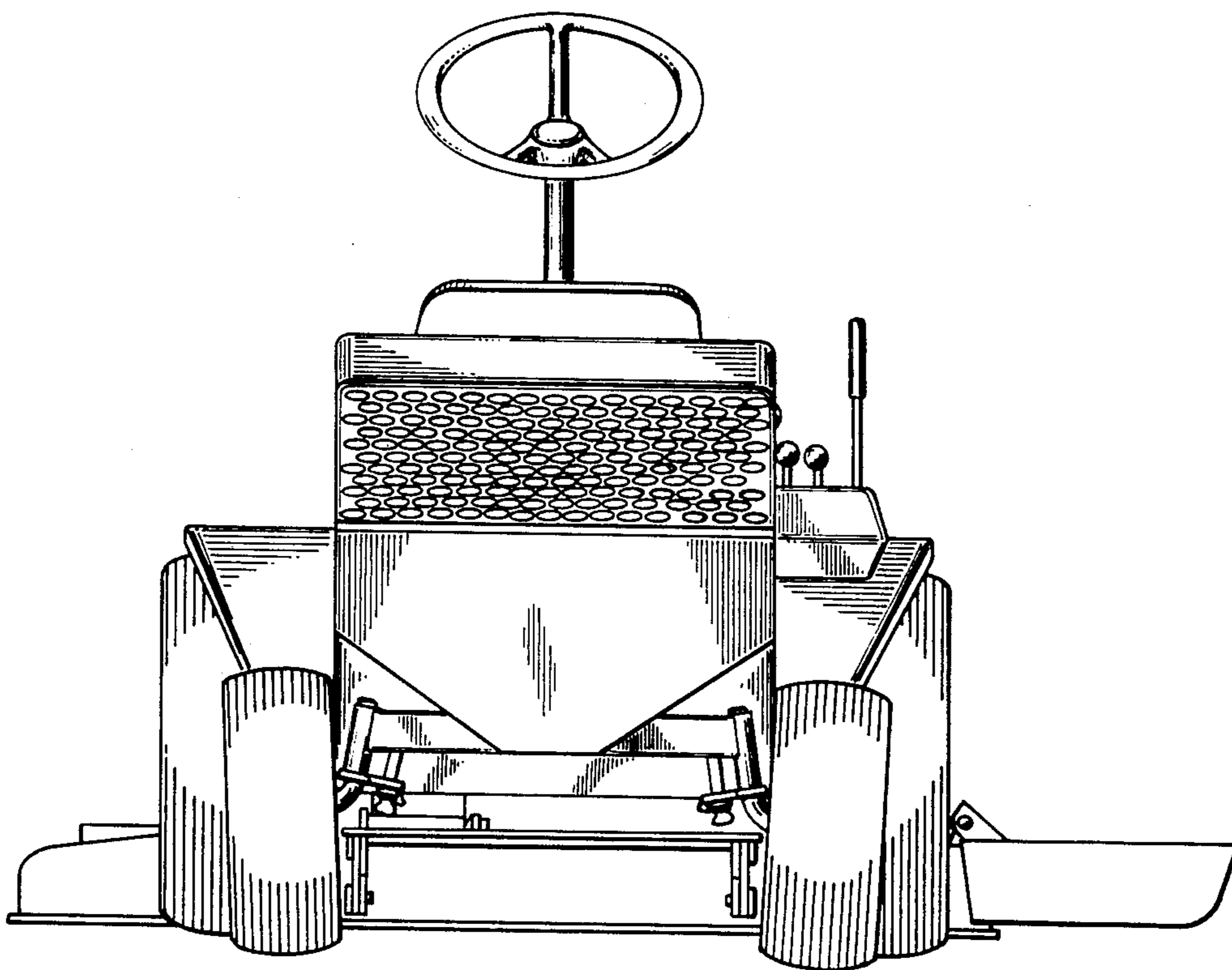


*Fig 2*





*Fig 3*



*Fig 4*