

[54] LAWN MOWER

[75] Inventor: Akiyasu Furuya, Hatogaya, Japan

[73] Assignee: Fuso Keigokin Co., Ltd., Tokyo, Japan

[**] Term: 14 Years

[21] Appl. No.: 771,668

[22] Filed: Feb. 24, 1977

[51] Int. Cl. D15-03

[52] U.S. Cl. D15/14

[58] Field of Search D15/14; 56/13.3, 13.4, 56/16.6, 16.7, 17.2, 17.5

[56] References Cited

U.S. PATENT DOCUMENTS

D. 191,675 10/1961 Ernest D15/14
3,613,338 10/1971 Furtaw 56/13.4

OTHER PUBLICATIONS

Home Furnishings Daily, 5/18/62, p. 20, Sunbeam Electric Mower.

Hardware Age, 2/75, p. 65, Lawn Mower, center left side of page.

Primary Examiner—Bernard Ansher

Assistant Examiner—James M. Gandy

Attorney, Agent, or Firm—Norman F. Oblon

[57] CLAIM

The ornamental design for a lawn mower, as shown.

DESCRIPTION

FIG. 1 is a front perspective view of a lawn mower showing my new design;

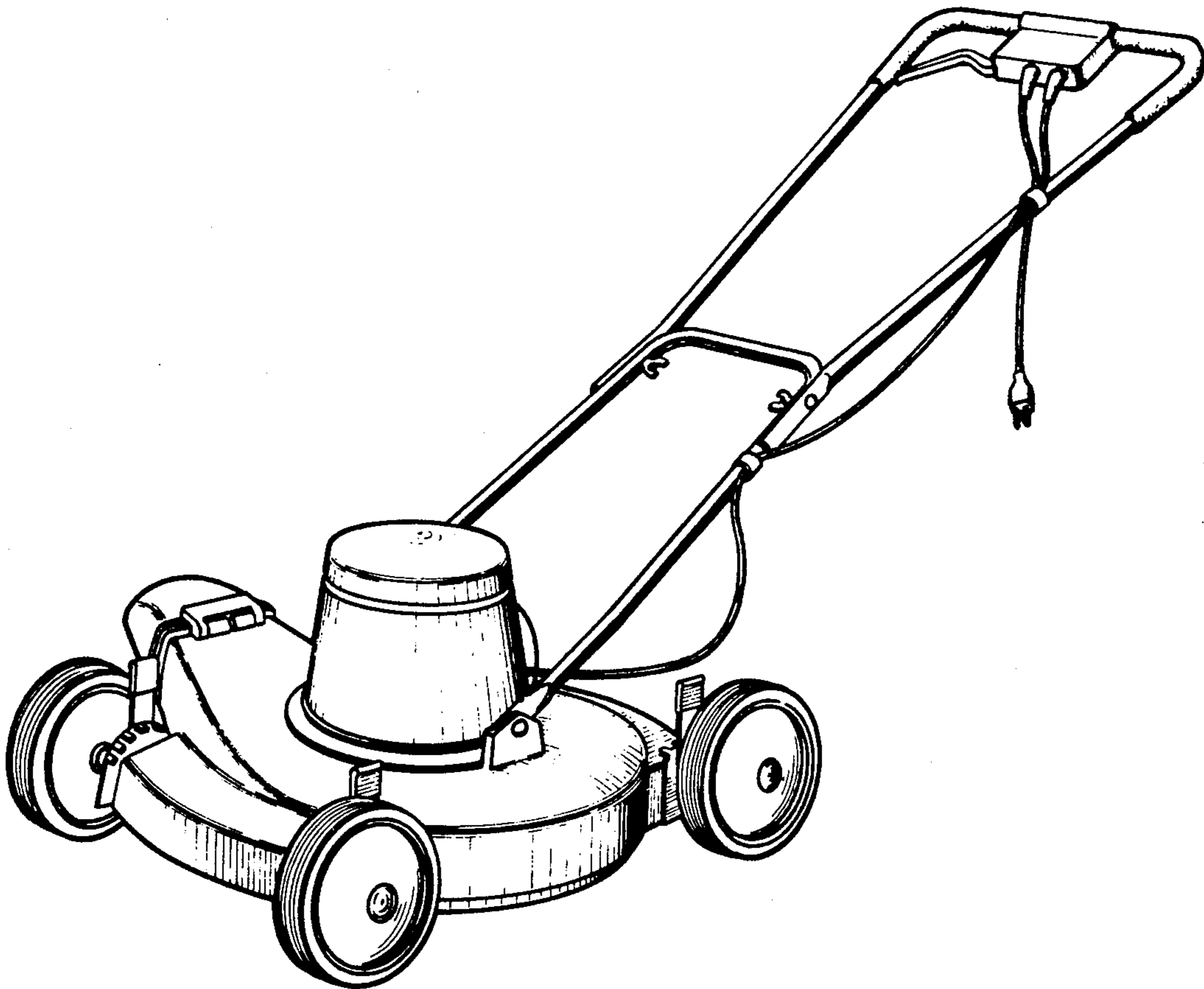
FIG. 2 is a right side elevation view thereof;

FIG. 3 is a top plan view thereof;

FIG. 4 is a front elevation view thereof;

FIG. 5 is a rear elevation view thereof;

FIG. 6 is a bottom plan view thereof.



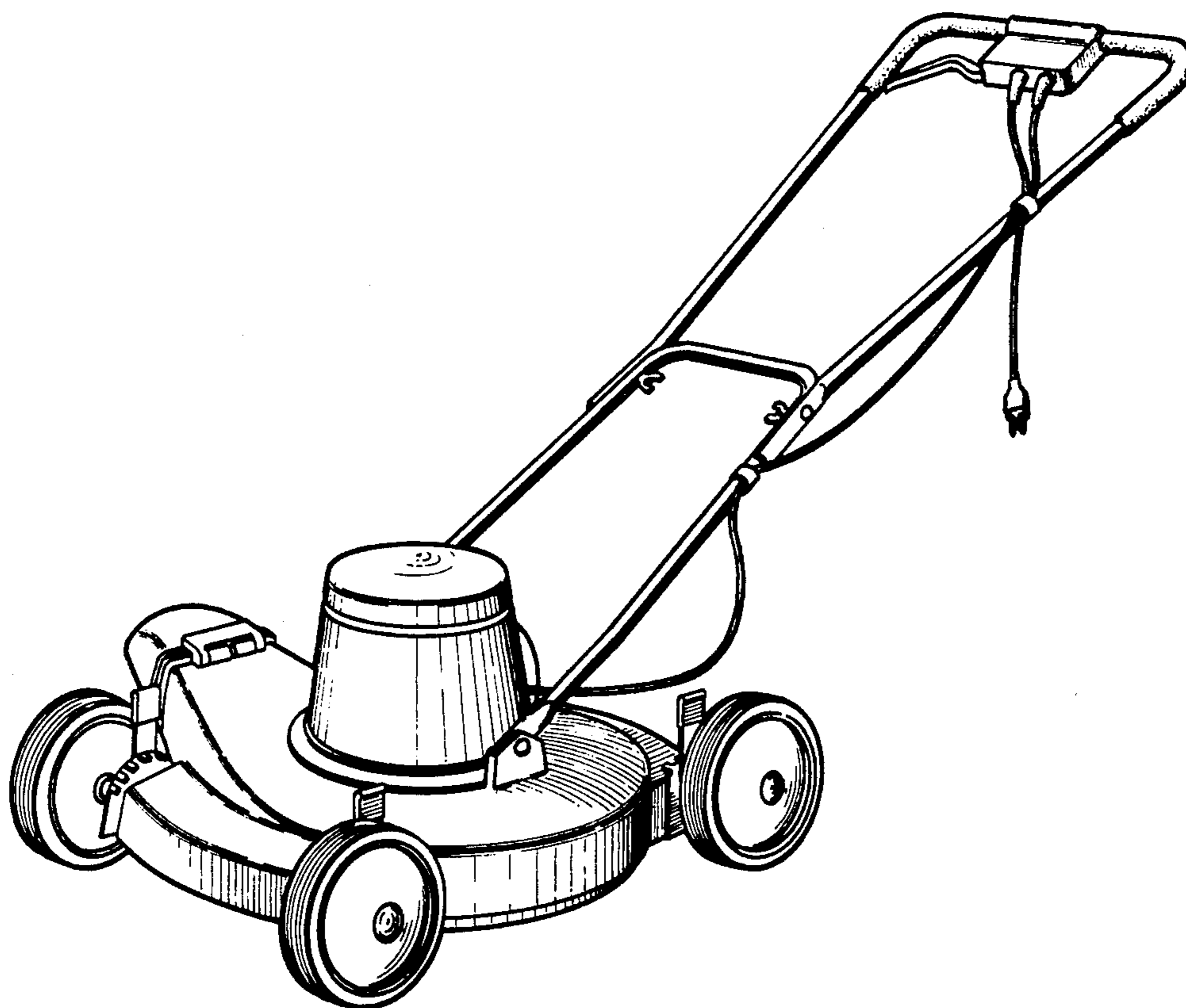


FIG. 1

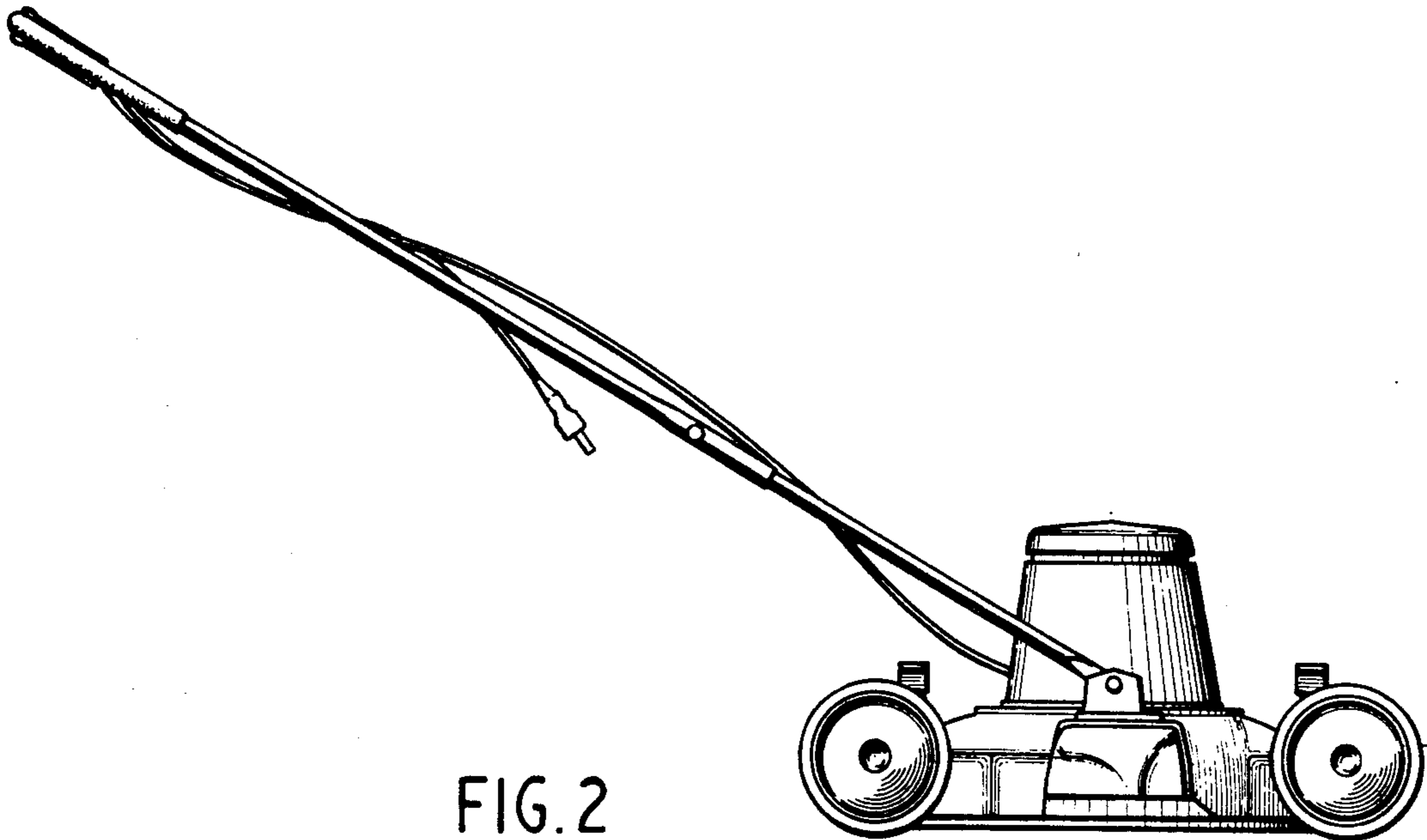


FIG. 2

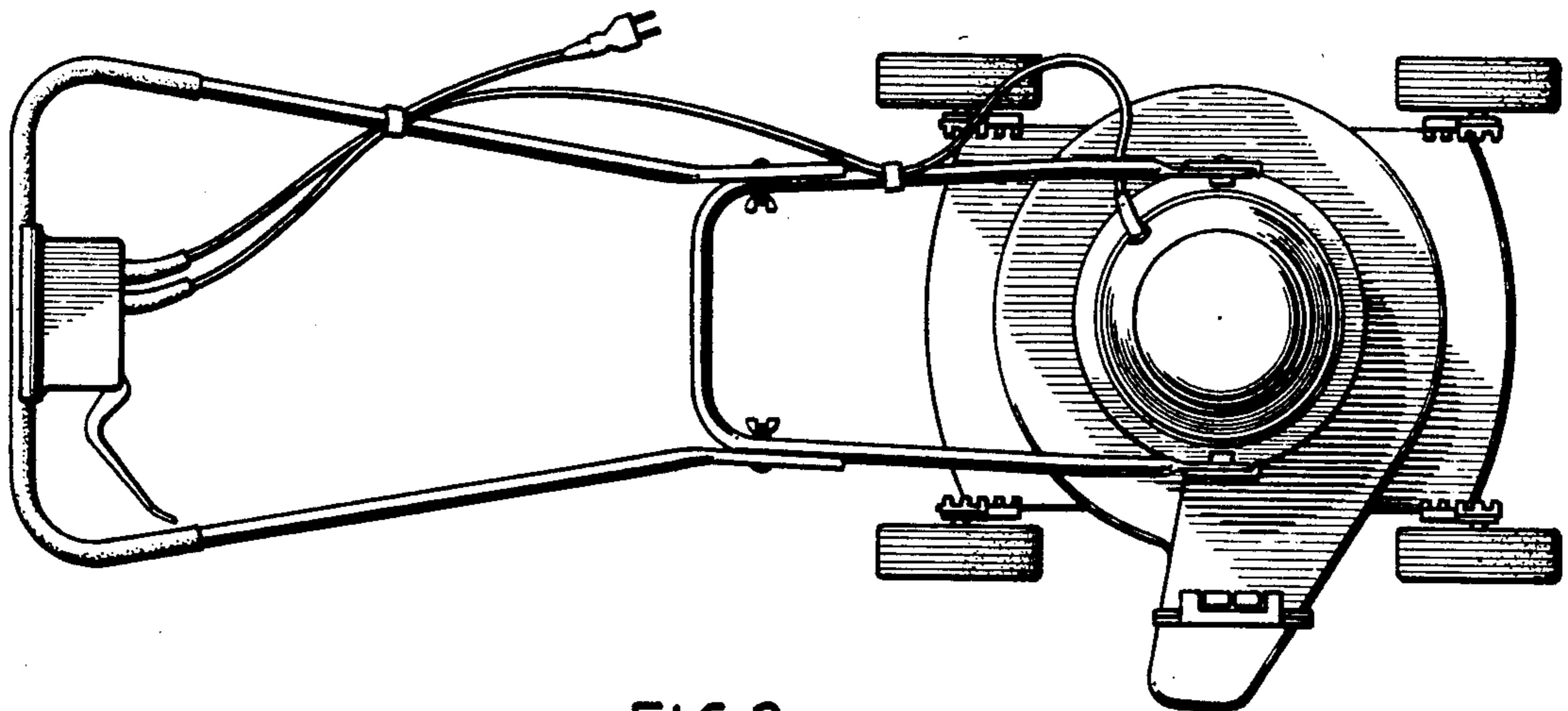


FIG. 3

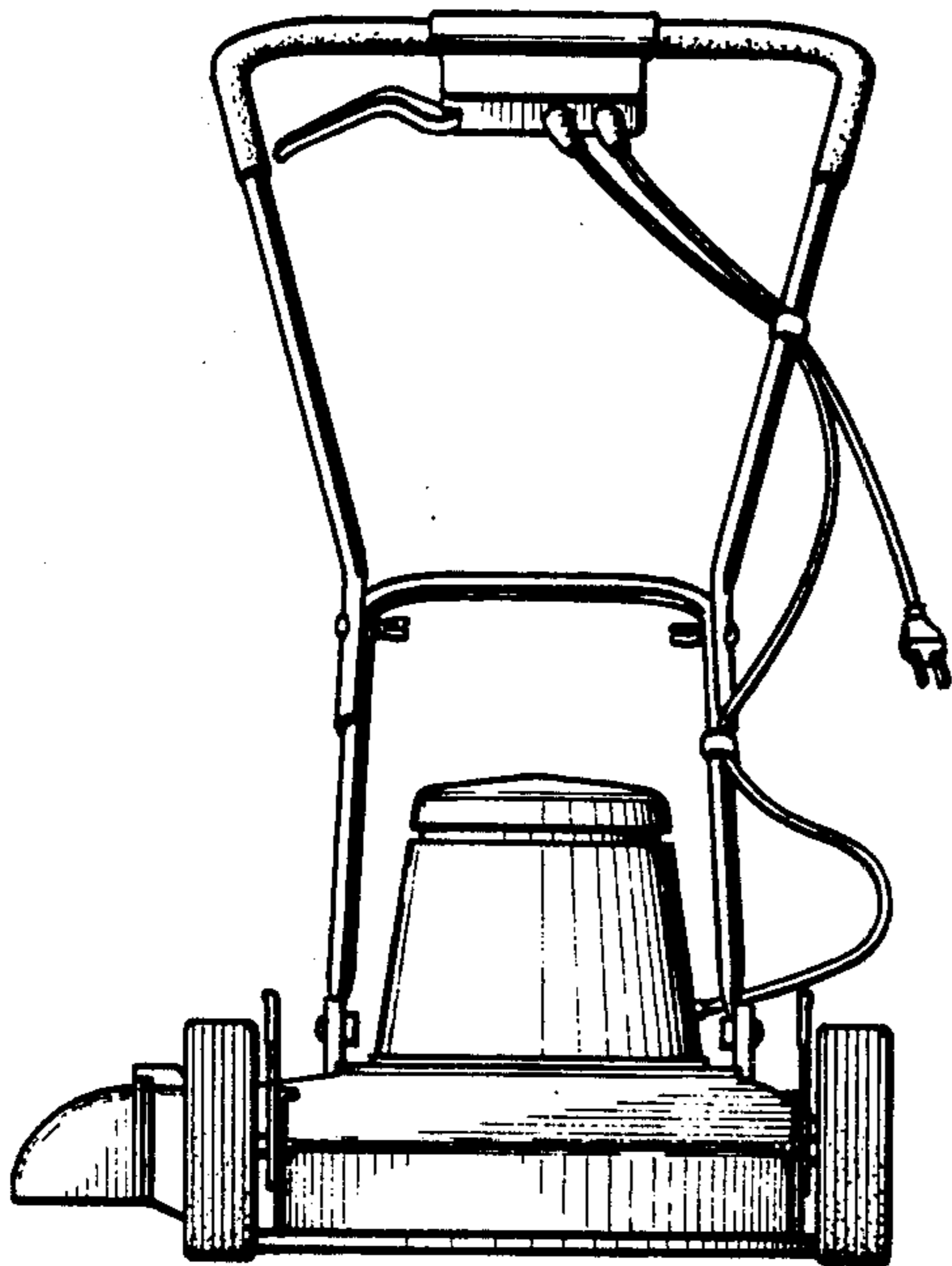


FIG. 4

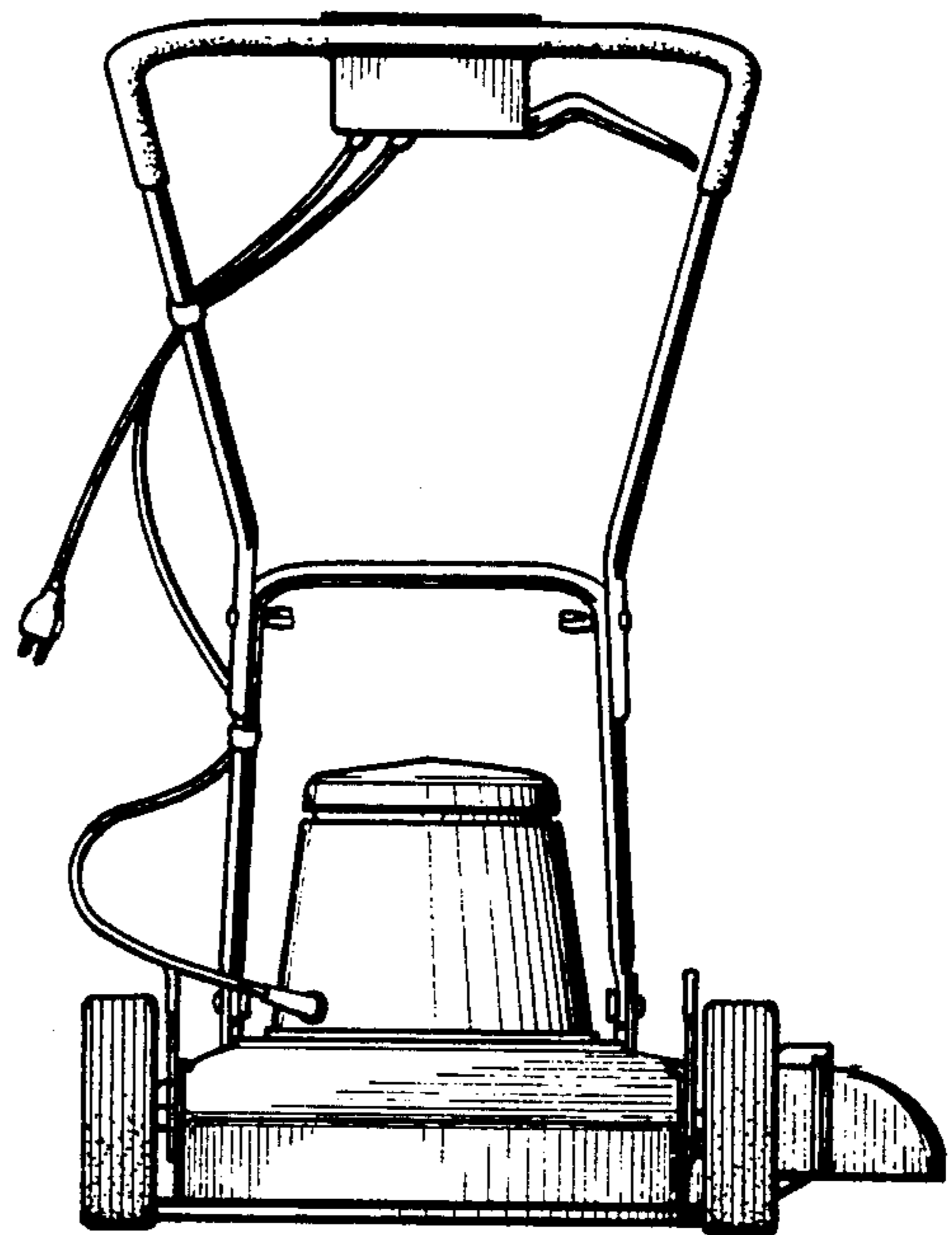


FIG. 5

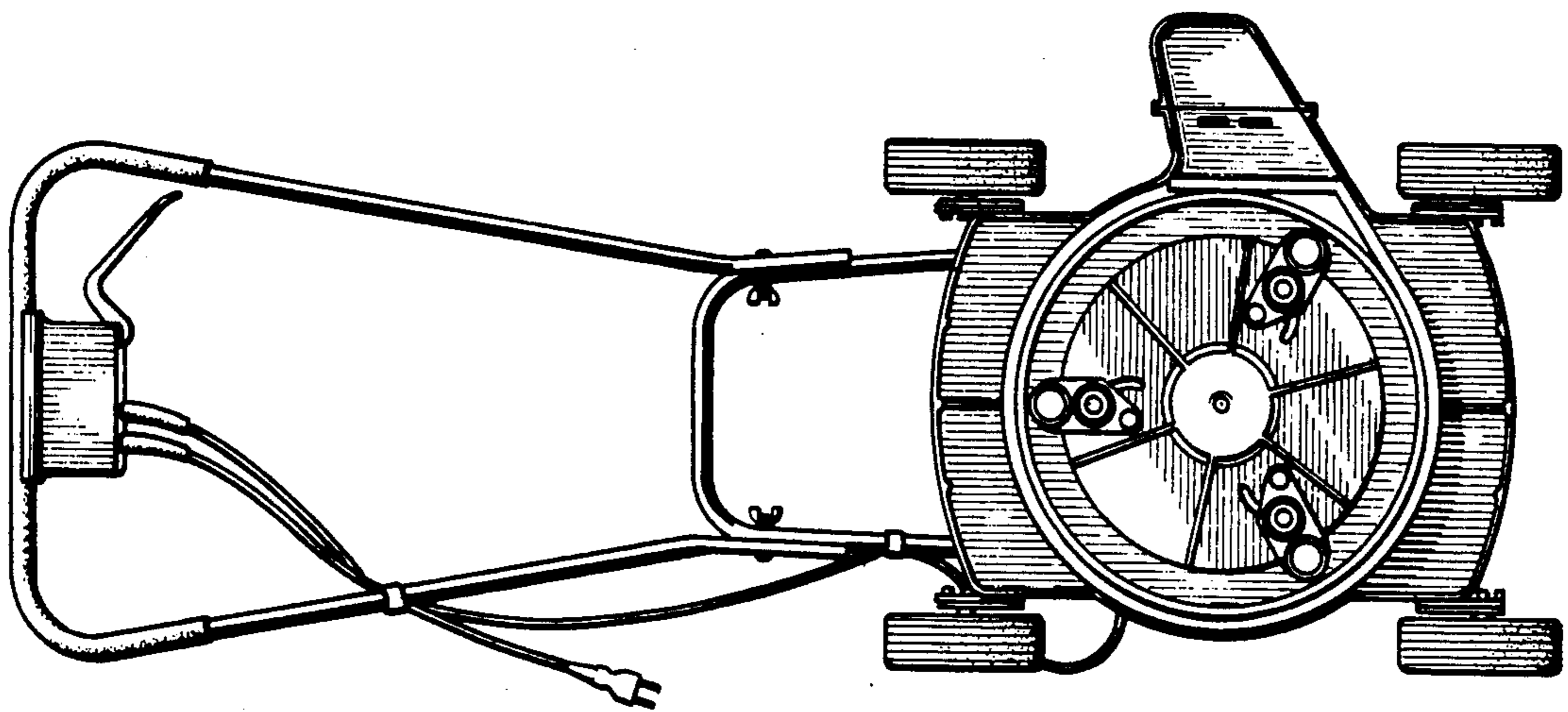


FIG. 6