

[54] MOTORCYCLE FAIRING

[75] Inventors: Thomas S. Beaubien, Rancho Palos Verdes; Harold H. Larsen, Long Beach; Robert E. Oehring, Norwalk, all of Calif.

[73] Assignee: Bates Industries, Inc.

[**] Term: 14 Years

[21] Appl. No.: 765,357

[22] Filed: Feb. 3, 1977

[51] Int. Cl.² D12-11

[52] U.S. Cl. D12/182

[58] Field of Search D12/182; 296/78.1; 280/289 S

[56] References Cited

PUBLICATIONS

Corbin-Gentry Inc. 1976 Factory to Dealer Catalogue, Rec'd. 2/13/76, p. 33, Fairing, top of page.
Cycle, 5/76, p. 117, Fairing, top right side of page.
Cycle, 4/76, p. 70, Fairing, bottom left side of page.

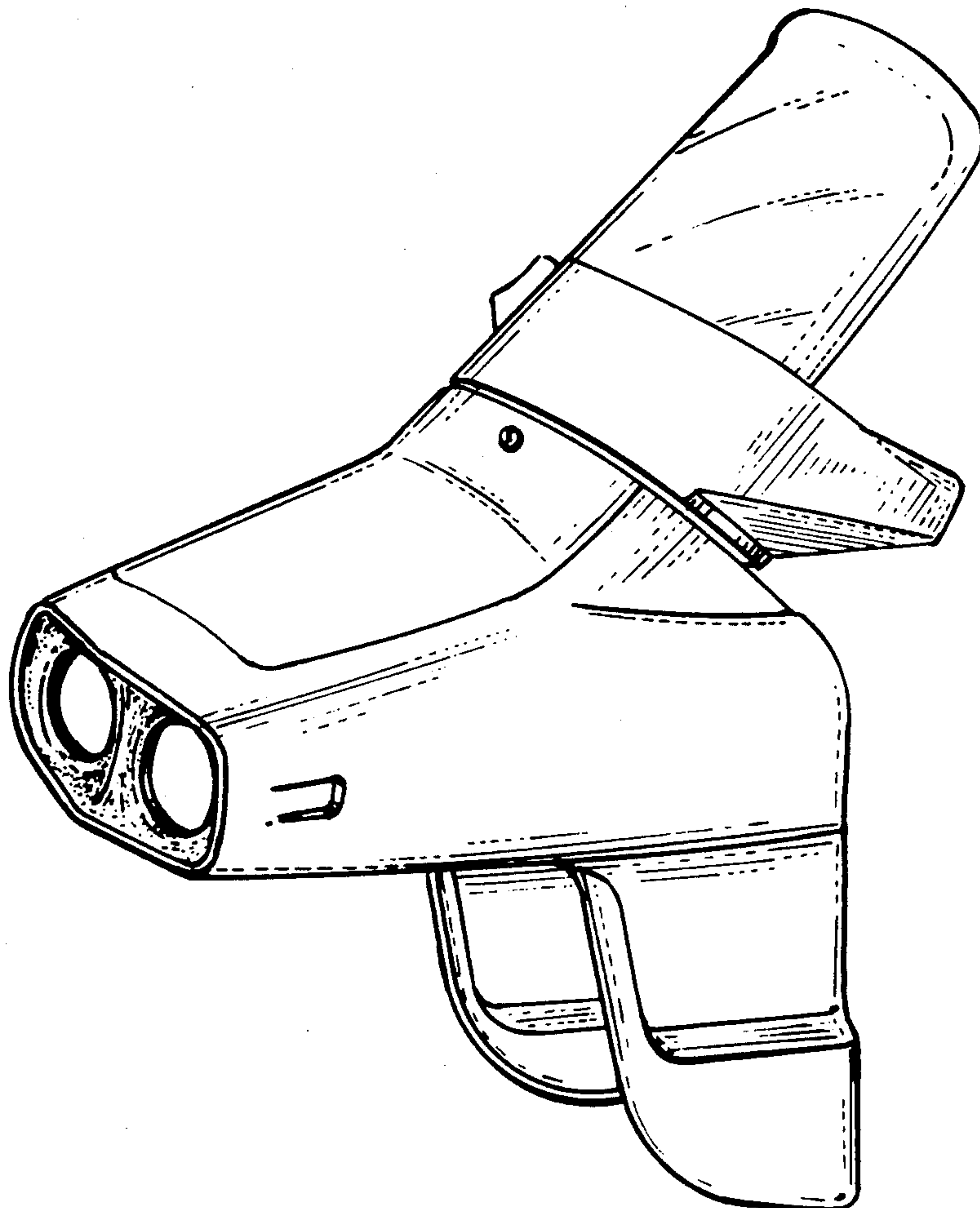
Primary Examiner—Wallace R. Burke
Assistant Examiner—James M. Gandy
Attorney, Agent, or Firm—Francis A. Utecht

[57] CLAIM

The ornamental design for a motorcycle fairing, substantially as shown and described.

DESCRIPTION

FIG. 1 is a perspective view of a motorcycle fairing showing our new design;
FIG. 2 is a right side elevational view thereof;
FIG. 3 is a rear elevational view thereof;
FIG. 4 is a top plan view thereof;
FIG. 5 is a bottom plan view thereof;
FIG. 6 is a perspective view of a second embodiment of a motorcycle fairing showing our new design;
FIG. 7 is a right side elevational view of the design of FIG. 6;
FIG. 8 is a rear elevational view of the design of FIG. 6;
FIG. 9 is a top plan view of the design of FIG. 6; and
FIG. 10 is a bottom plan view of the design of FIG. 6.



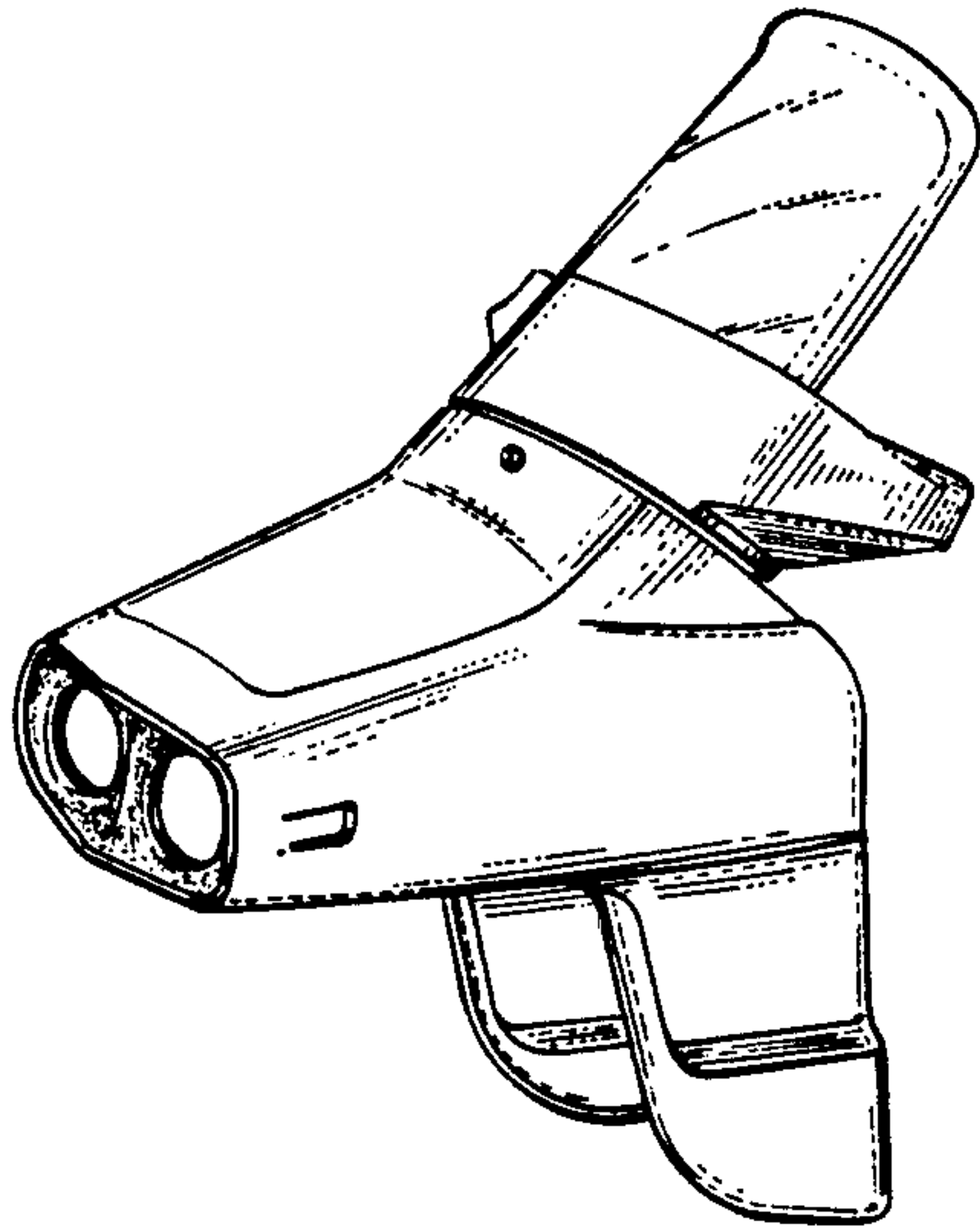


Fig. 1

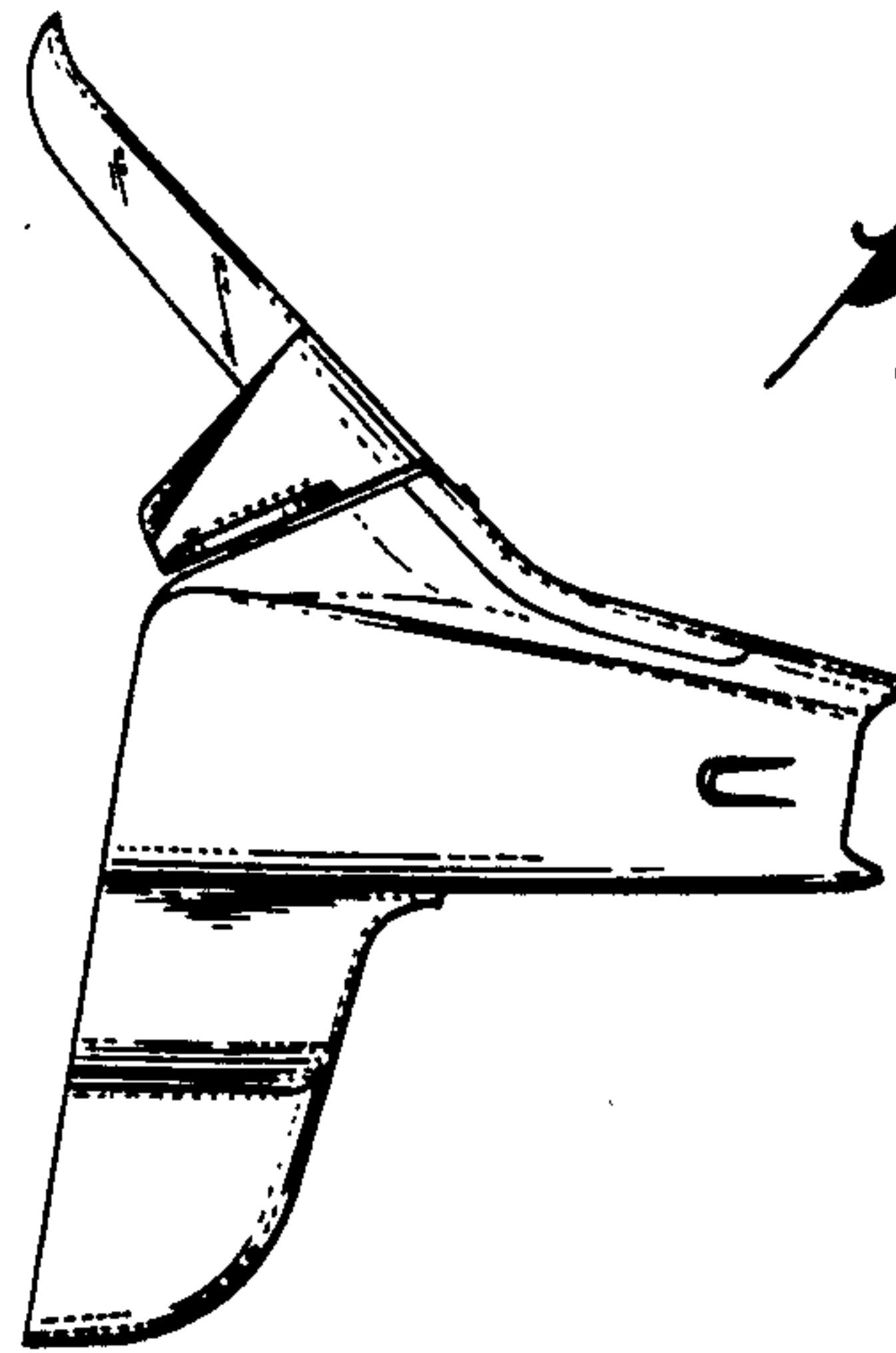


Fig. 2

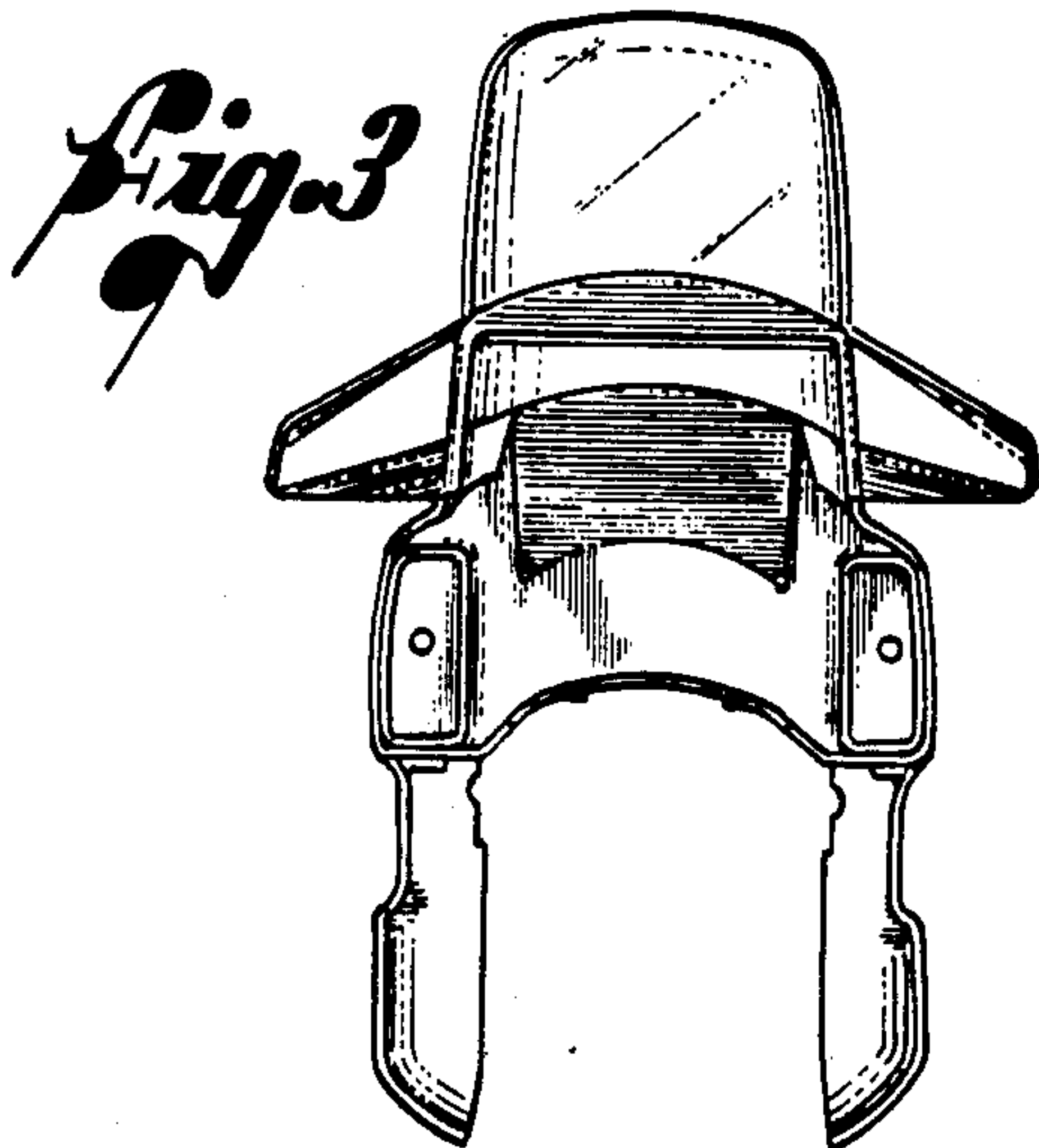


Fig. 3

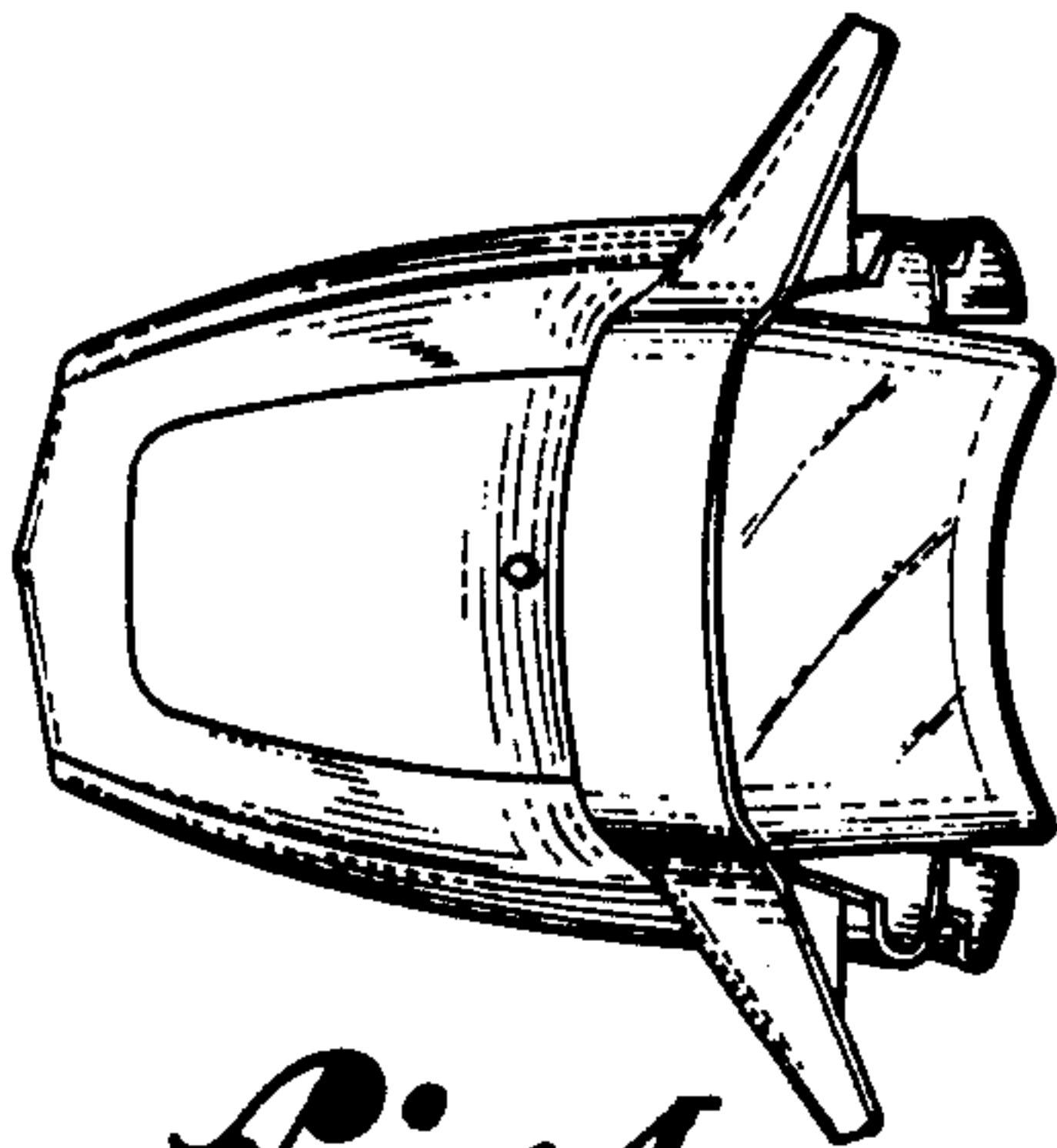


Fig. 4

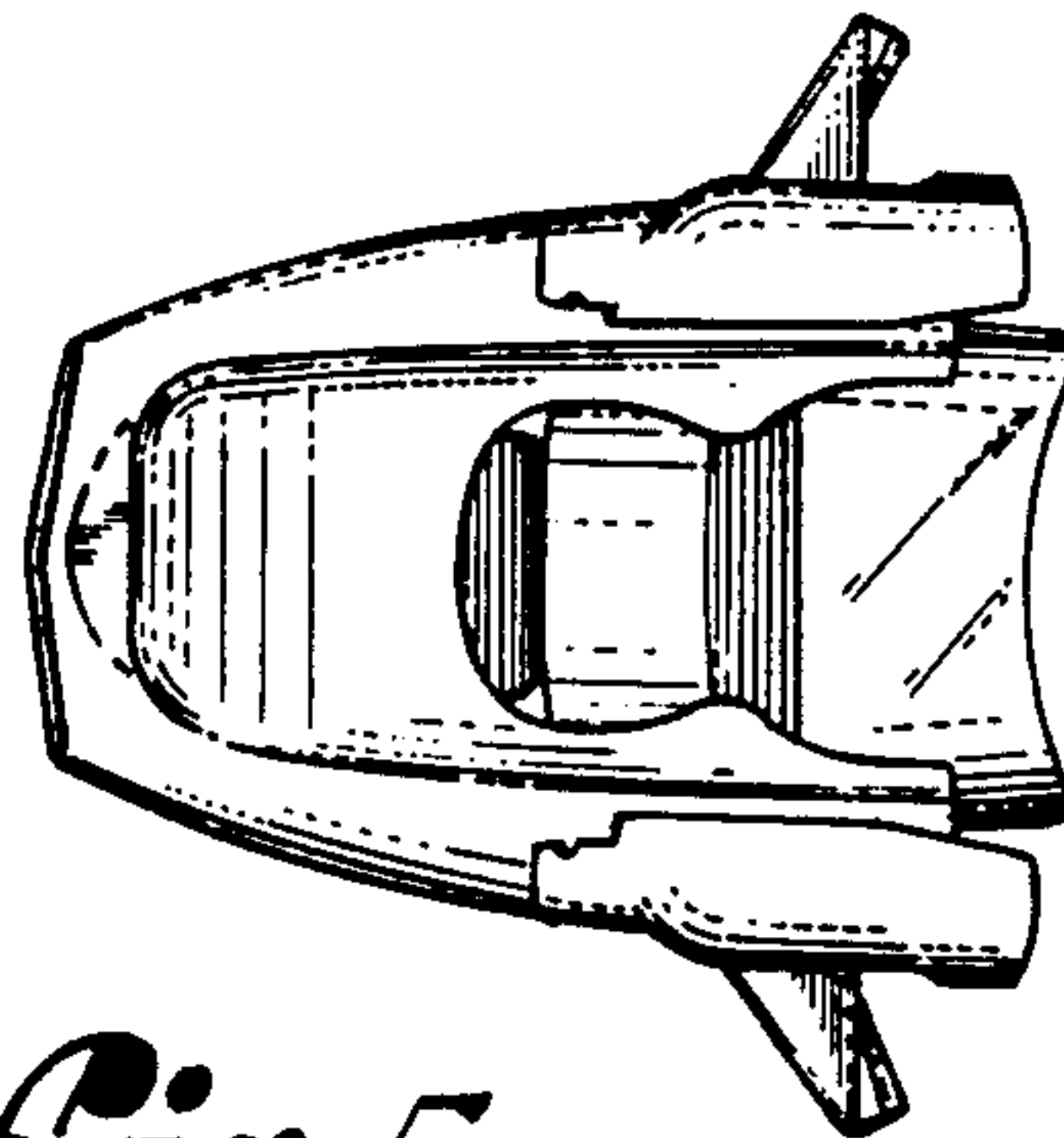


Fig. 5

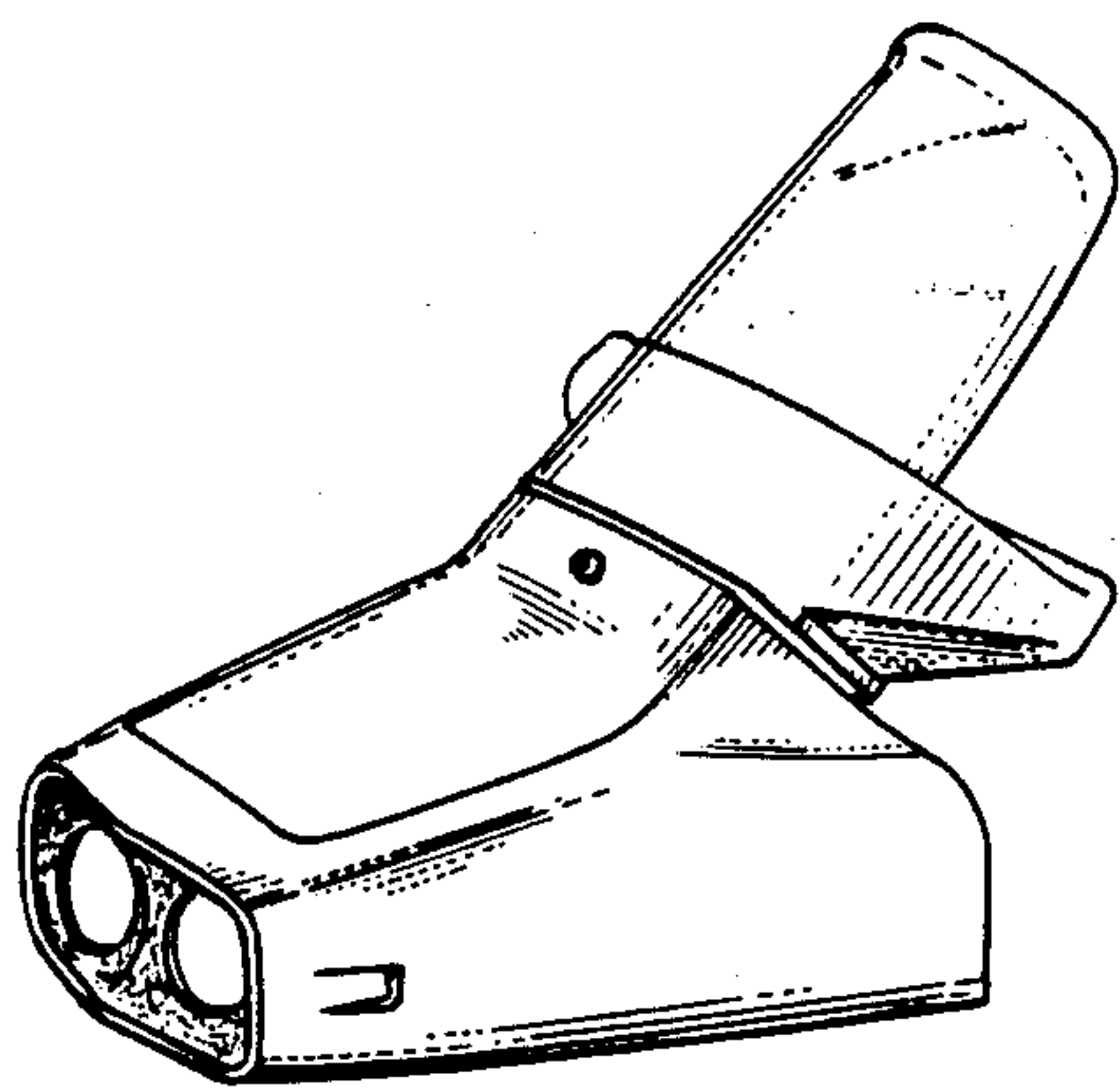


Fig. 6

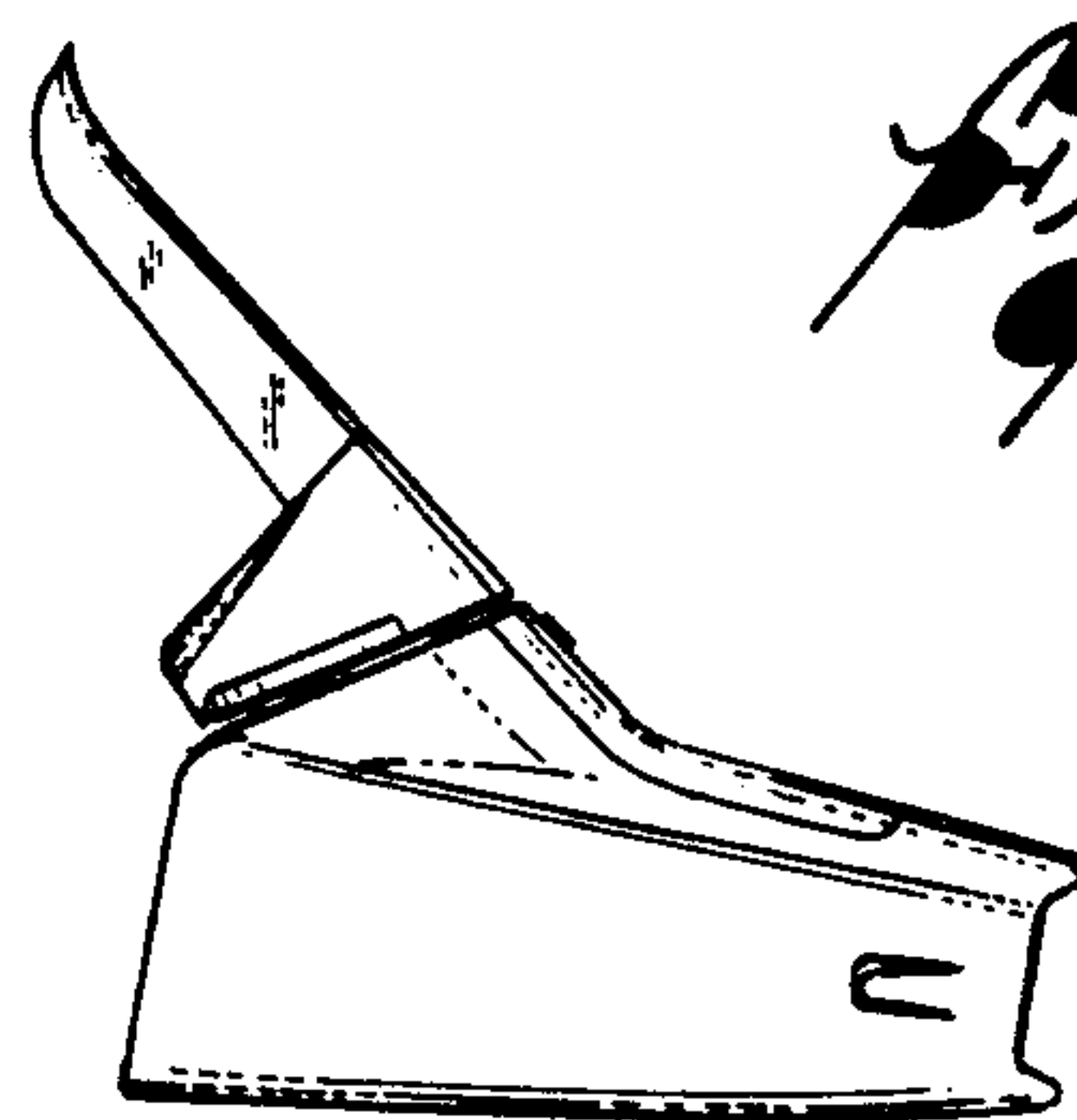


Fig. 7

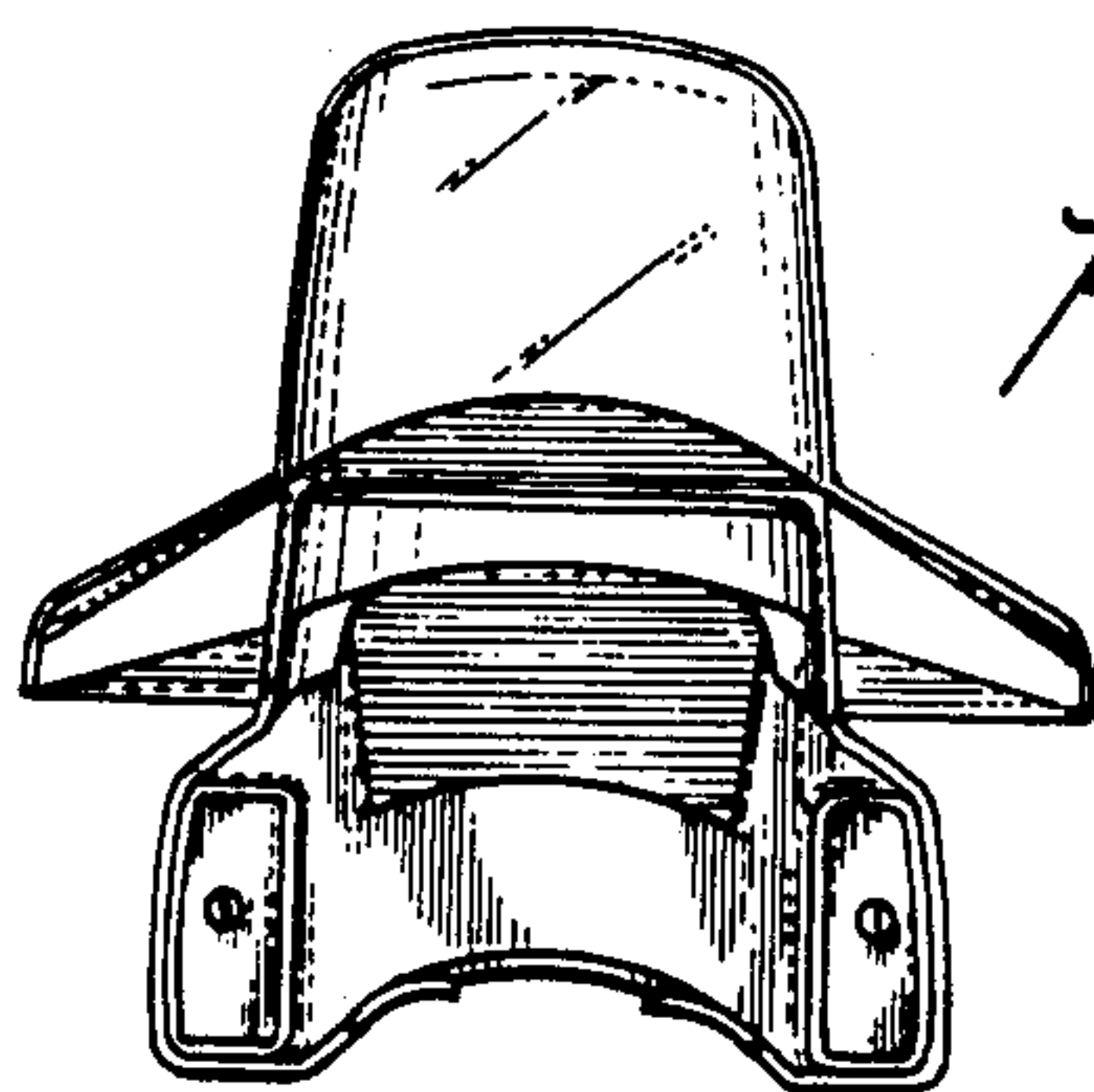


Fig. 8

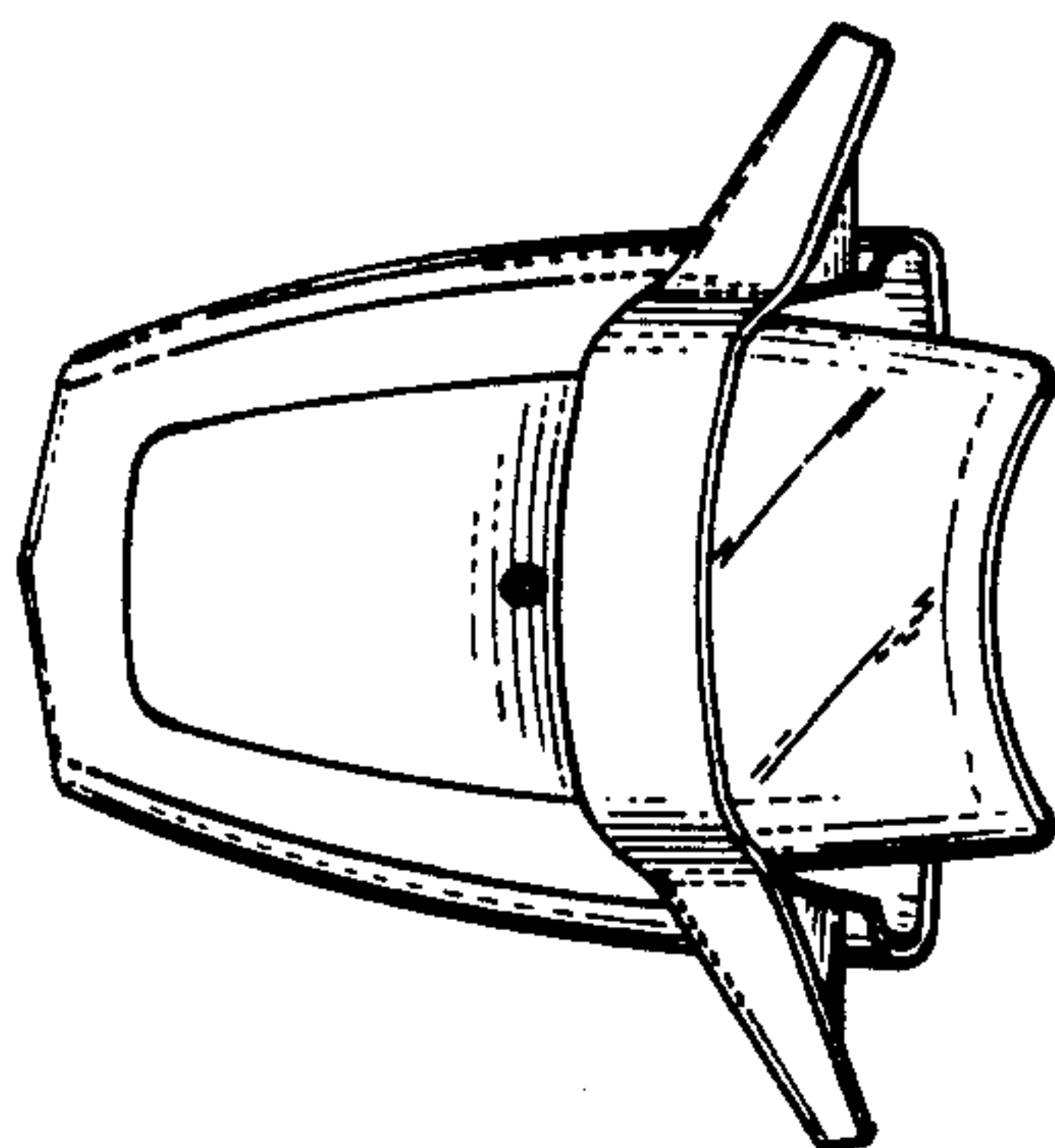


Fig. 9

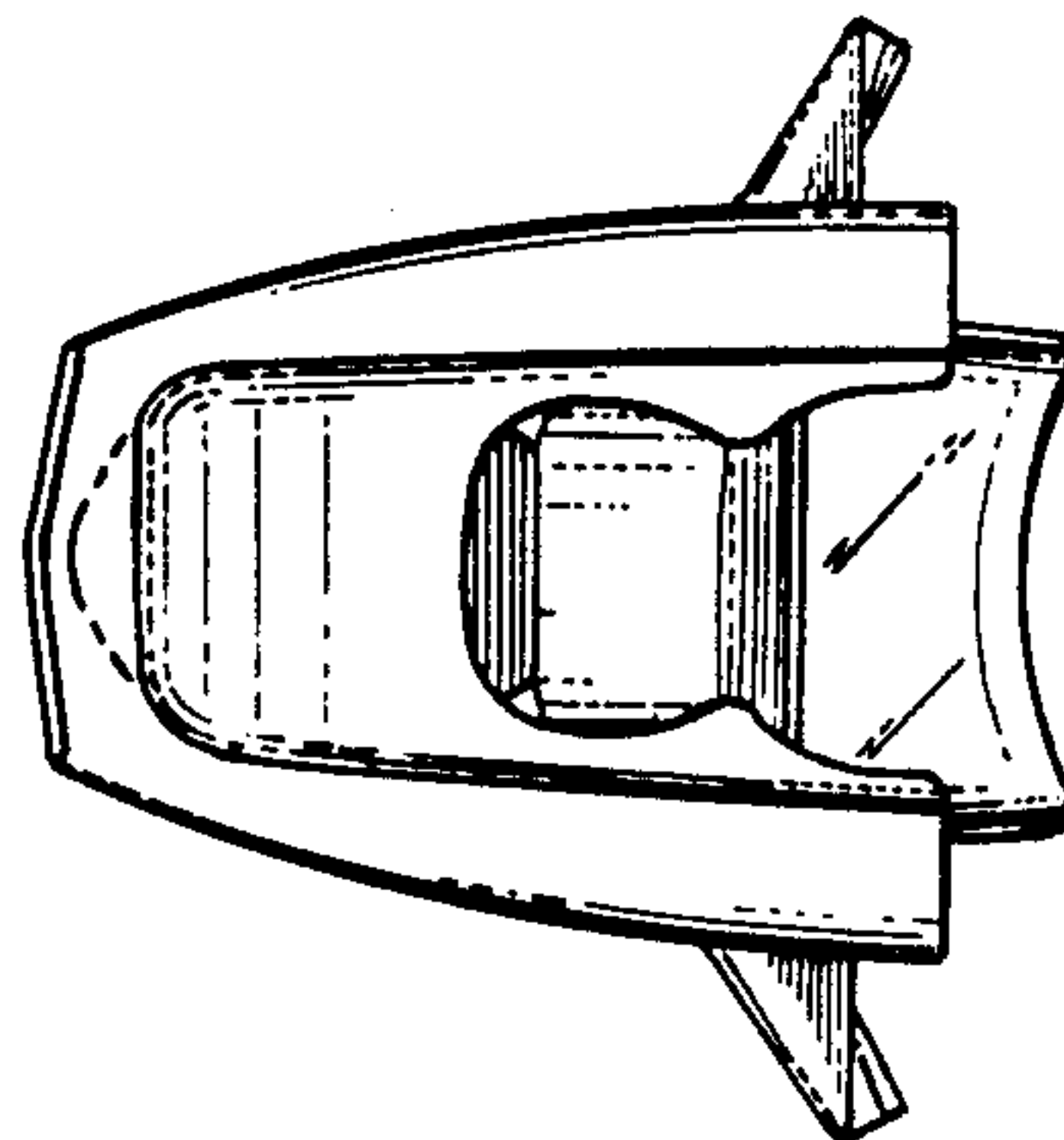


Fig. 10