

[54] CONTROL UNIT HOUSING FOR AN ELECTRICAL PROTECTION SYSTEM

[75] Inventor: Terence E. Gibbs, Pomona, N.Y.

[73] Assignee: American District Telegraph Company

[**] Term: 14 Years

[21] Appl. No.: 768,196

[22] Filed: Feb. 14, 1977

[51] Int. Cl. D10-05

[52] U.S. Cl. D10/106

[58] Field of Search D10/104, 106, 121; D13/32, 40, 41; 340/227 R, 227.1, 228 R, 228.1, 228.2, 237 R, 237 S, 258 R, 276

[56] References Cited

U.S. PATENT DOCUMENTS

D. 190,994 8/1961 Fruh D10/104

D. 228,259	8/1973	Pinkham	D10/121
2,916,730	12/1959	Johnson	340/227.1
3,643,244	2/1972	Levy	340/227 R
3,720,935	3/1973	Tomlin	340/227 R X

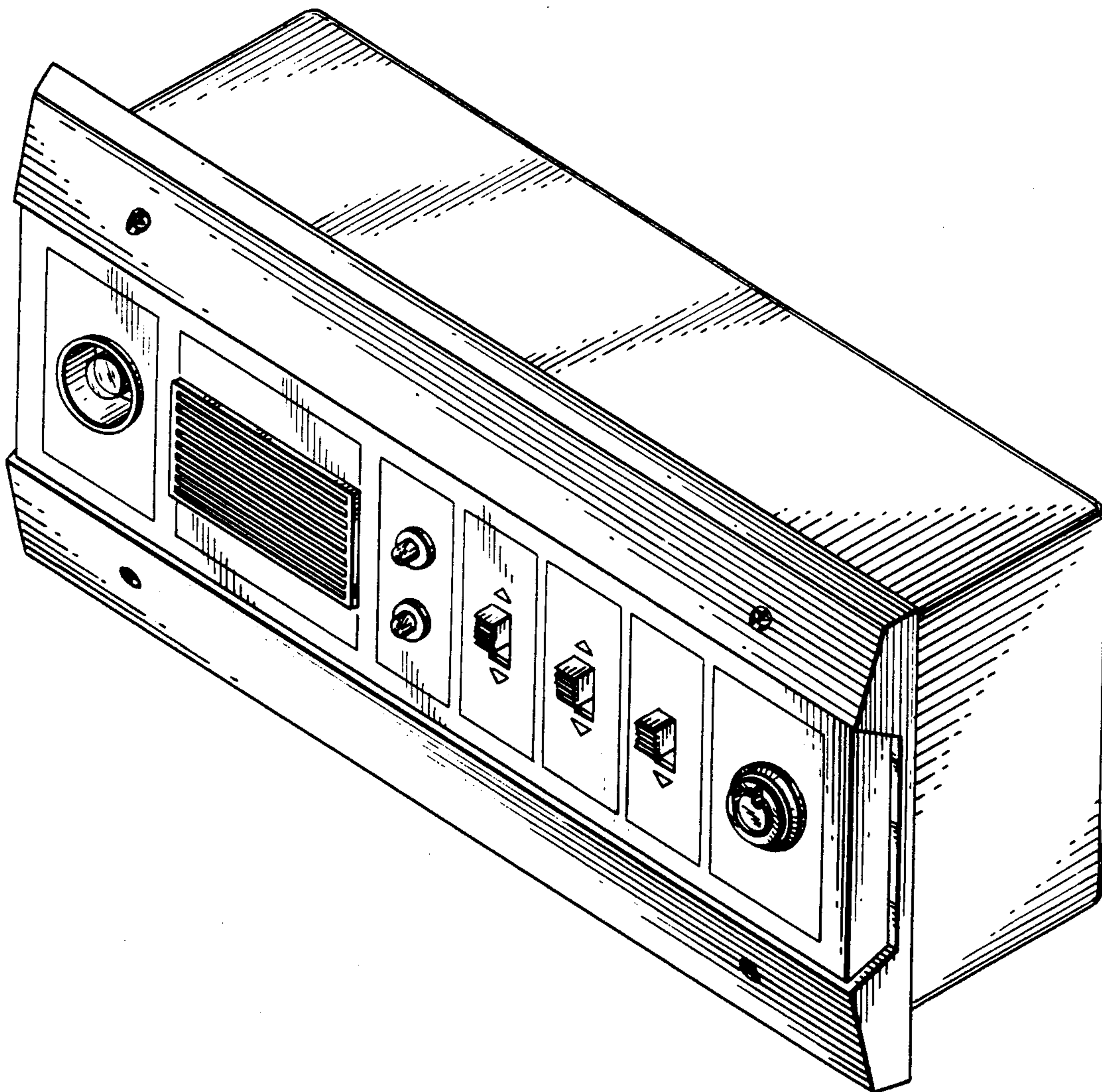
Primary Examiner—Susan J. Lucas
Attorney, Agent, or Firm—Charles B. Smith

[57] CLAIM

The ornamental design for a control unit housing for an electrical protection system, as shown and described.

DESCRIPTION

FIG. 1 is a plan view of a control unit housing for an electrical protection system embodying my design; FIG. 2 is a front elevation of the housing of FIG. 1; FIG. 3 is a side elevation as viewed from the left side of FIG. 2; FIG. 4 is a side elevation as viewed from the right side of FIG. 2; and FIG. 5 is a front perspective view of the housing of FIG. 1.



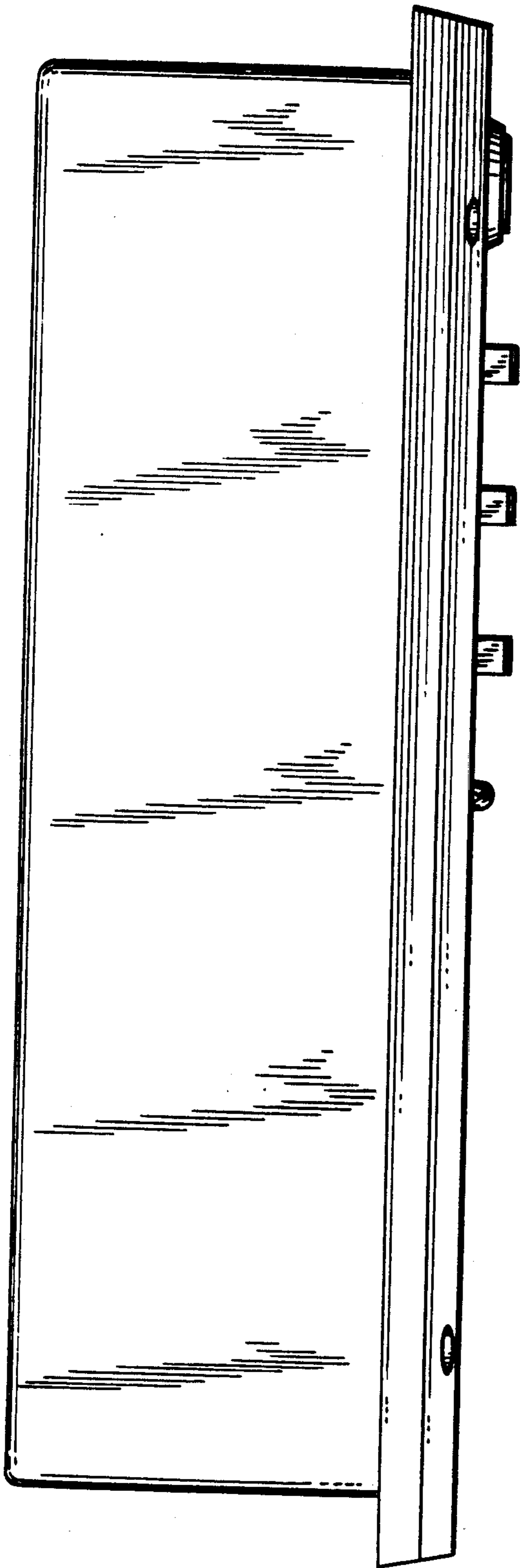


FIG. 1

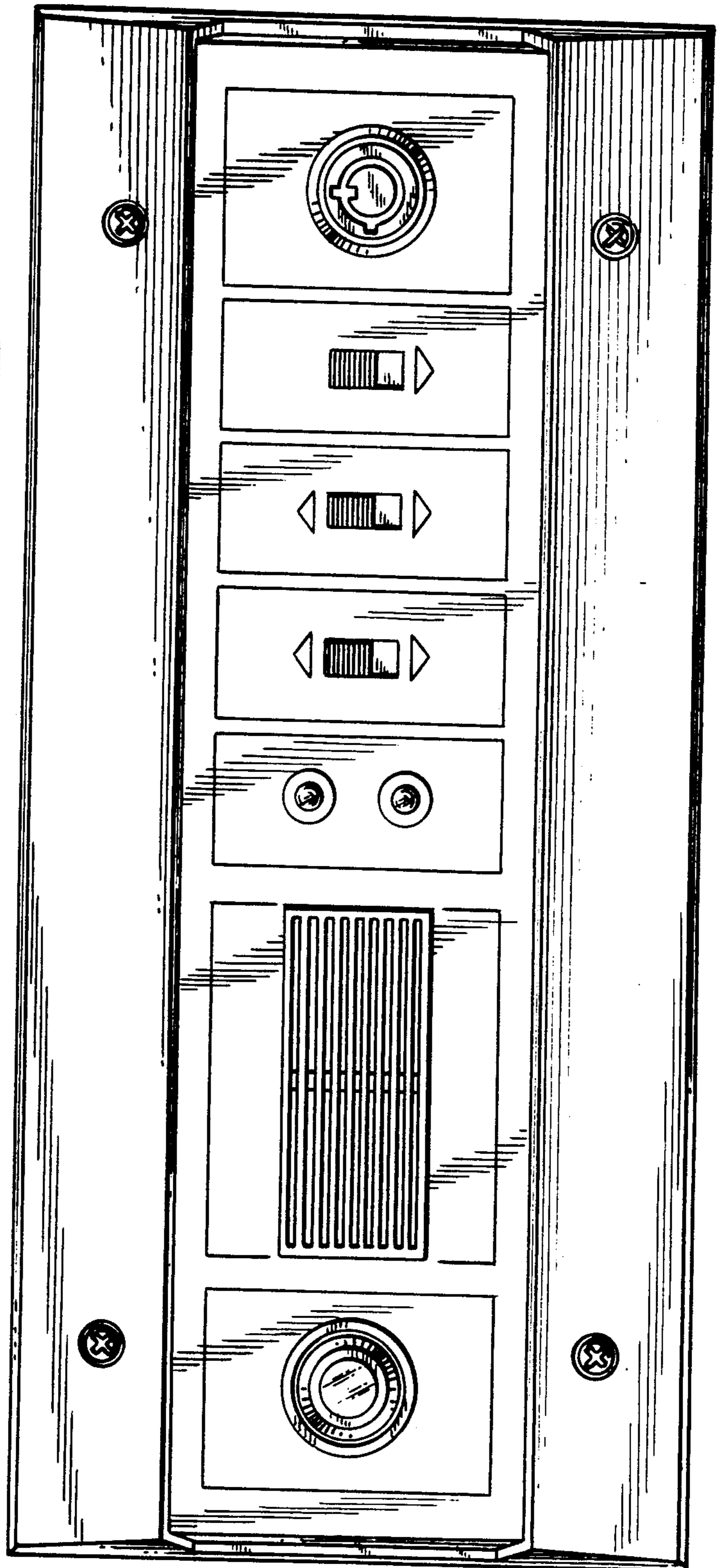


FIG. 2

FIG. 4

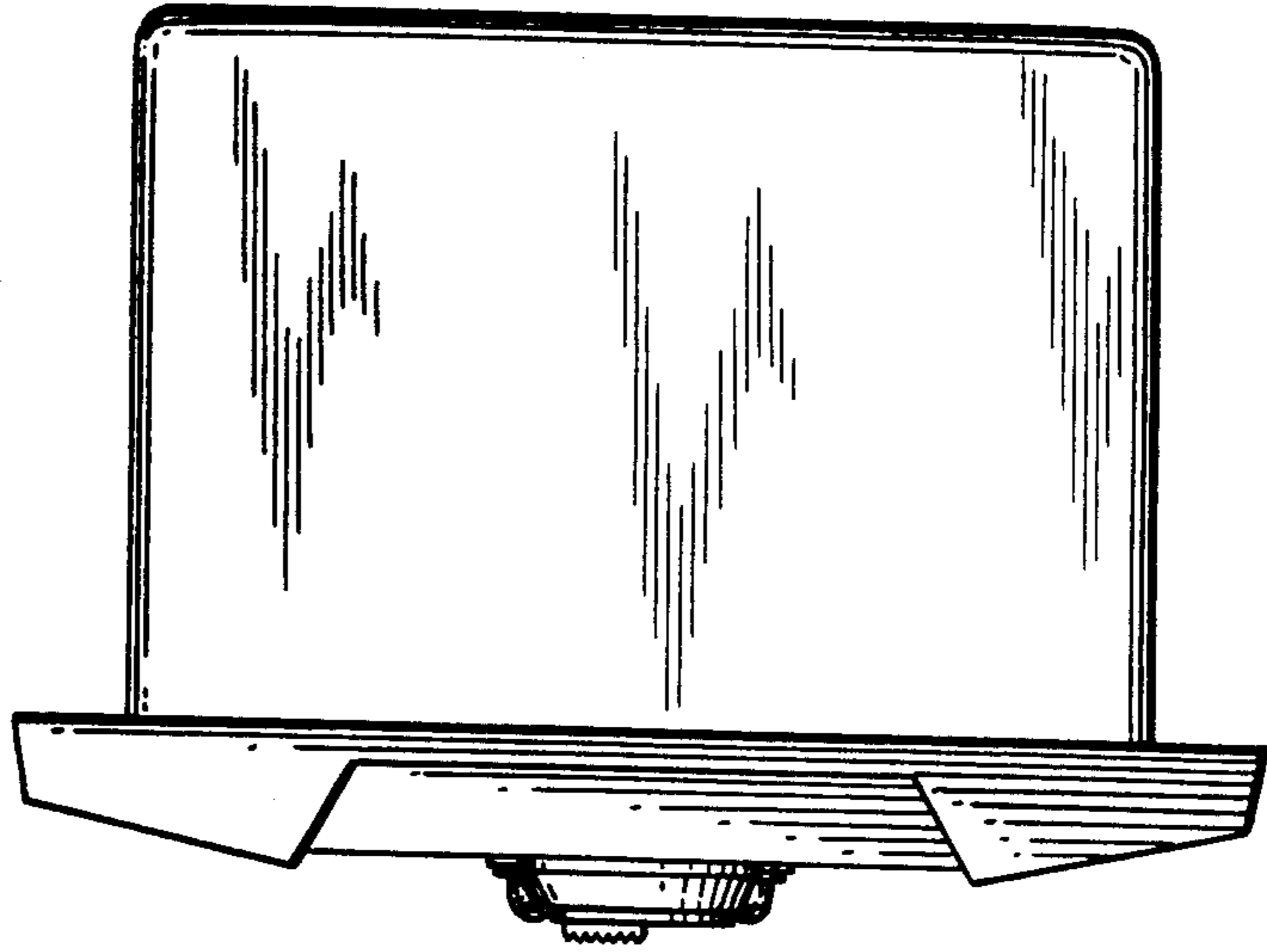
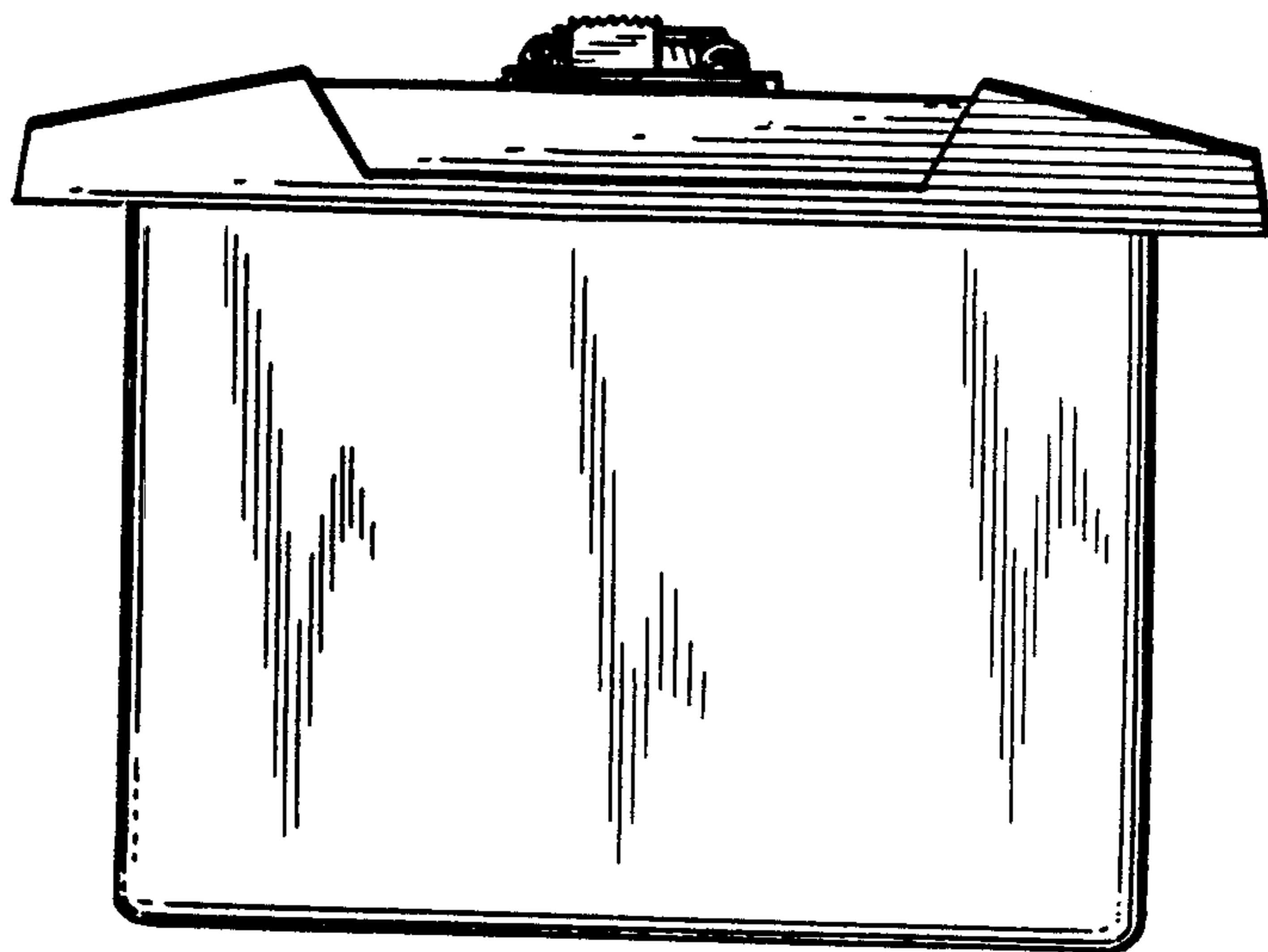


FIG. 3



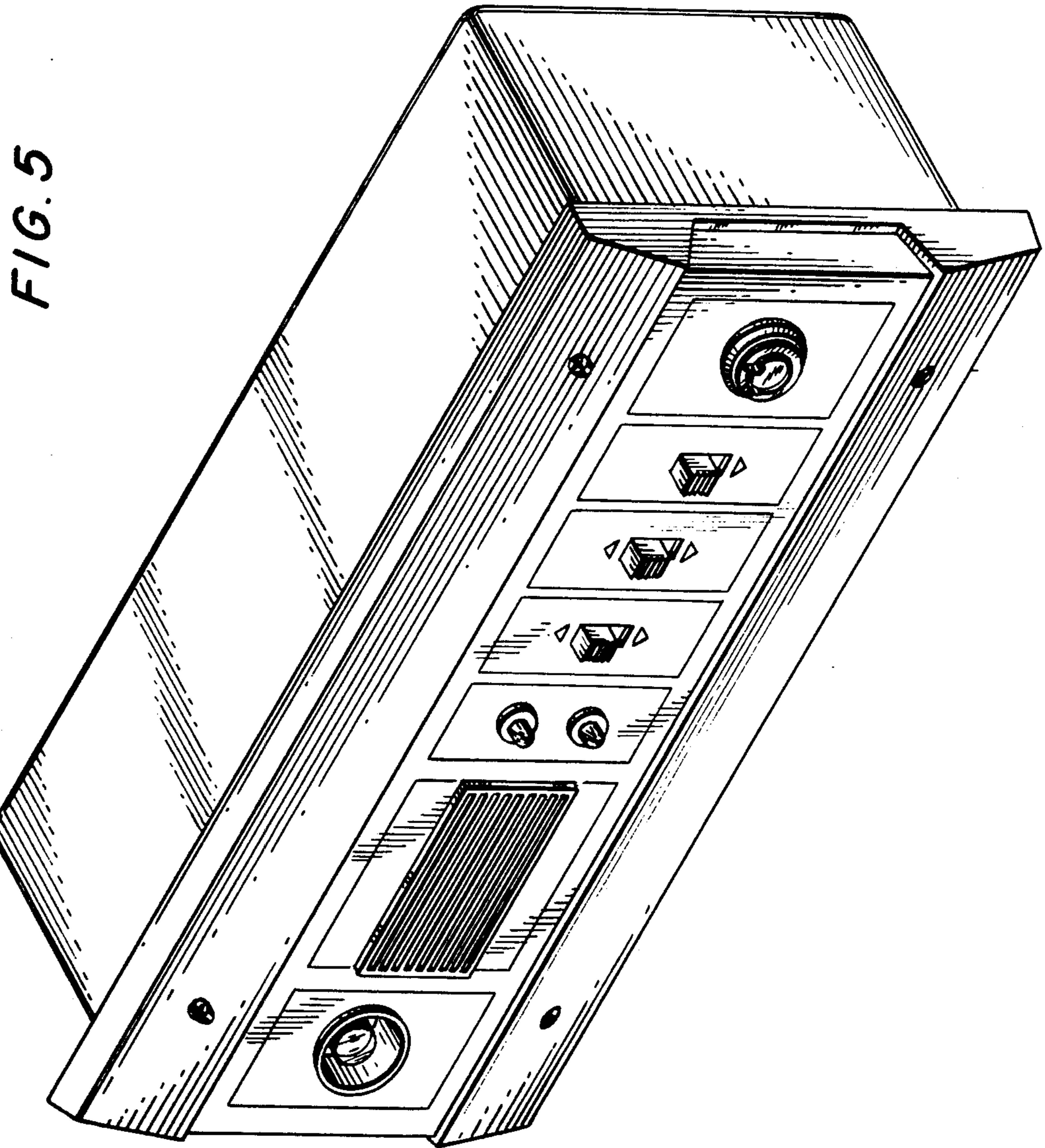


FIG. 5