

[54] WRISTWATCH CALCULATOR

[75] Inventor: Edward E. Salter, Redwood City, Calif.

[73] Assignee: Hewlett-Packard Company, Palo Alto, Calif.

[**] Term: 14 Years

[21] Appl. No.: 741,328

[22] Filed: Nov. 12, 1976

[51] Int. Cl. D10-02

[52] U.S. Cl. D10/31

[58] Field of Search D10/31, 15, 38, 40, D10/122-126; 235/152, 145 R; 58/152 R, 50 R, 53-56, 88 R, 88 G; D64/11 B

[56] References Cited

U.S. PATENT DOCUMENTS

D. 243,751	3/1977	Price	D10/122
3,803,834	4/1974	Reese	58/152 R
3,928,960	12/1975	Reese	58/152 R

3,955,355	5/1976	Luce	58/152 R
4,022,014	5/1977	Lowdenslager	58/152 R
4,041,295	8/1977	Ido	58/50 R

OTHER PUBLICATIONS

Form — 8/1/76, p. 42, watch-calculator center-left.
Jeweler's Circular-Keystone — 3/76, p. 58, watch-calculator at top-left.
Office Products — 8/71, p. 6, calculator.
Home Furnishings Daily — 2/13/75, p. 28, H.P. calculator at right.

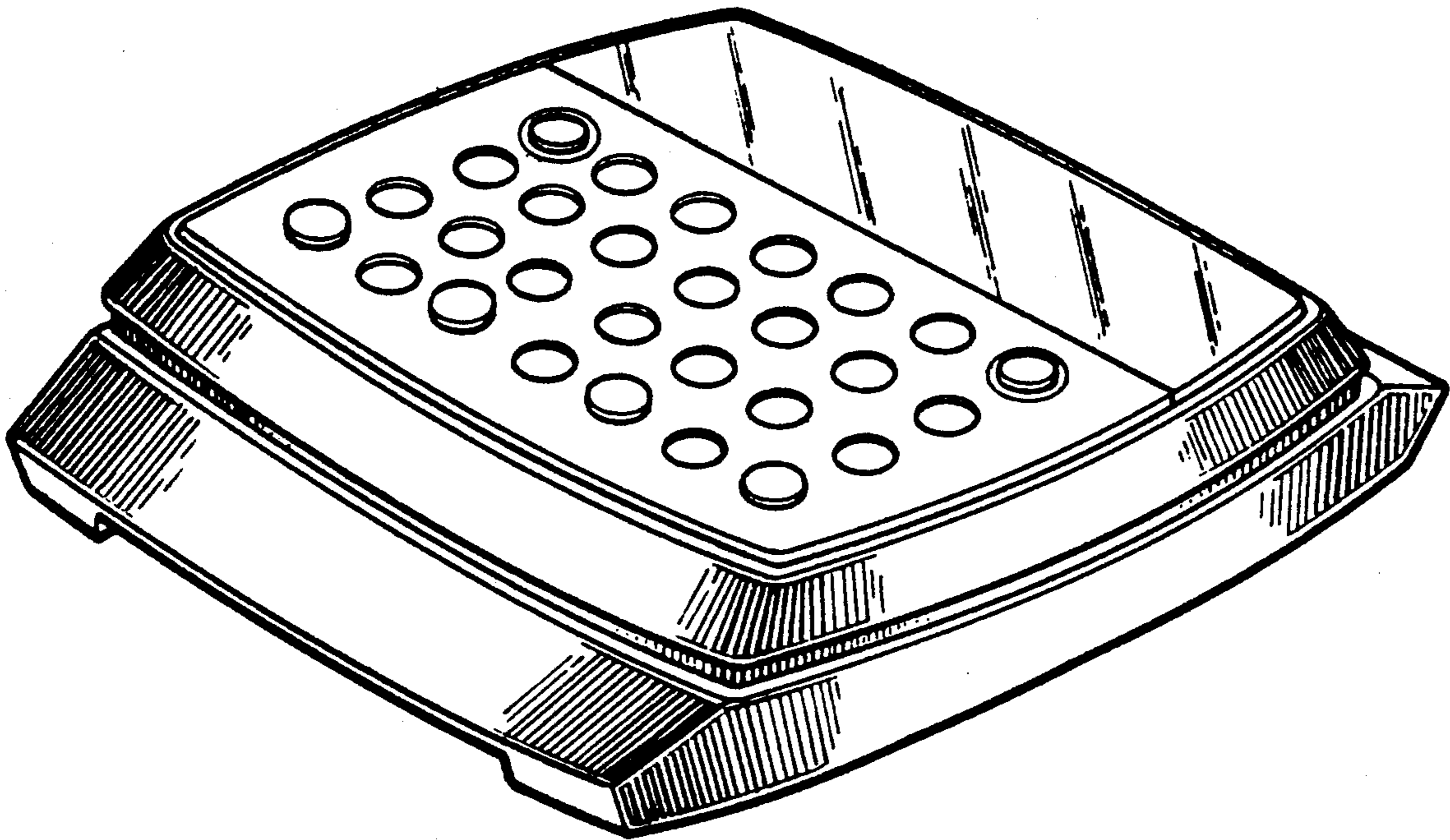
Primary Examiner—Nelson C. Holtje
Attorney, Agent, or Firm—Patrick J. Barrett

[57] CLAIM

The ornamental design for a wristwatch calculator, as shown and described.

DESCRIPTION

FIG. 1 is a front perspective view of a wristwatch calculator showing my new design;
 FIG. 2 is a top plan view thereof, the bottom being conventional.



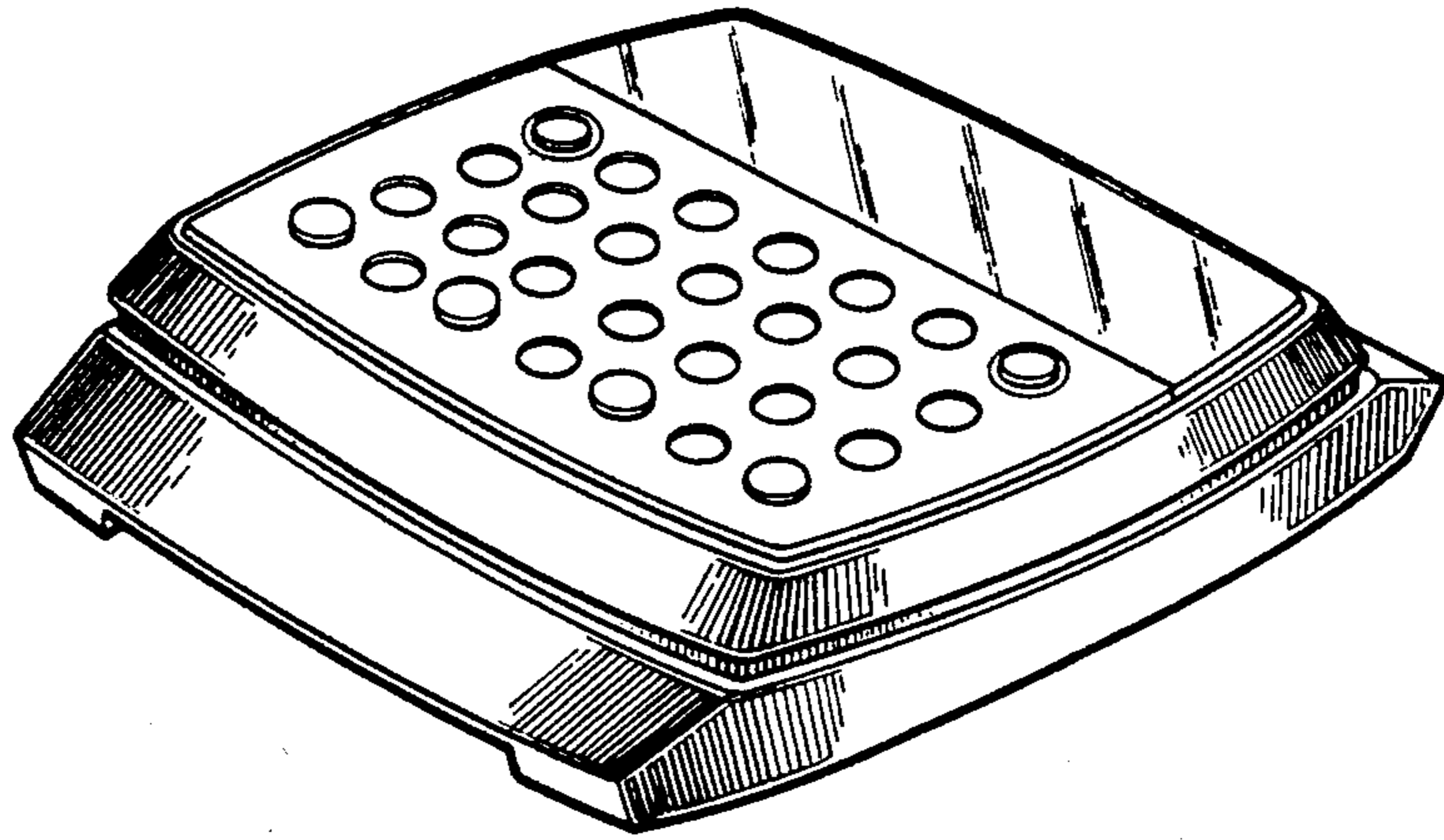


Figure 1

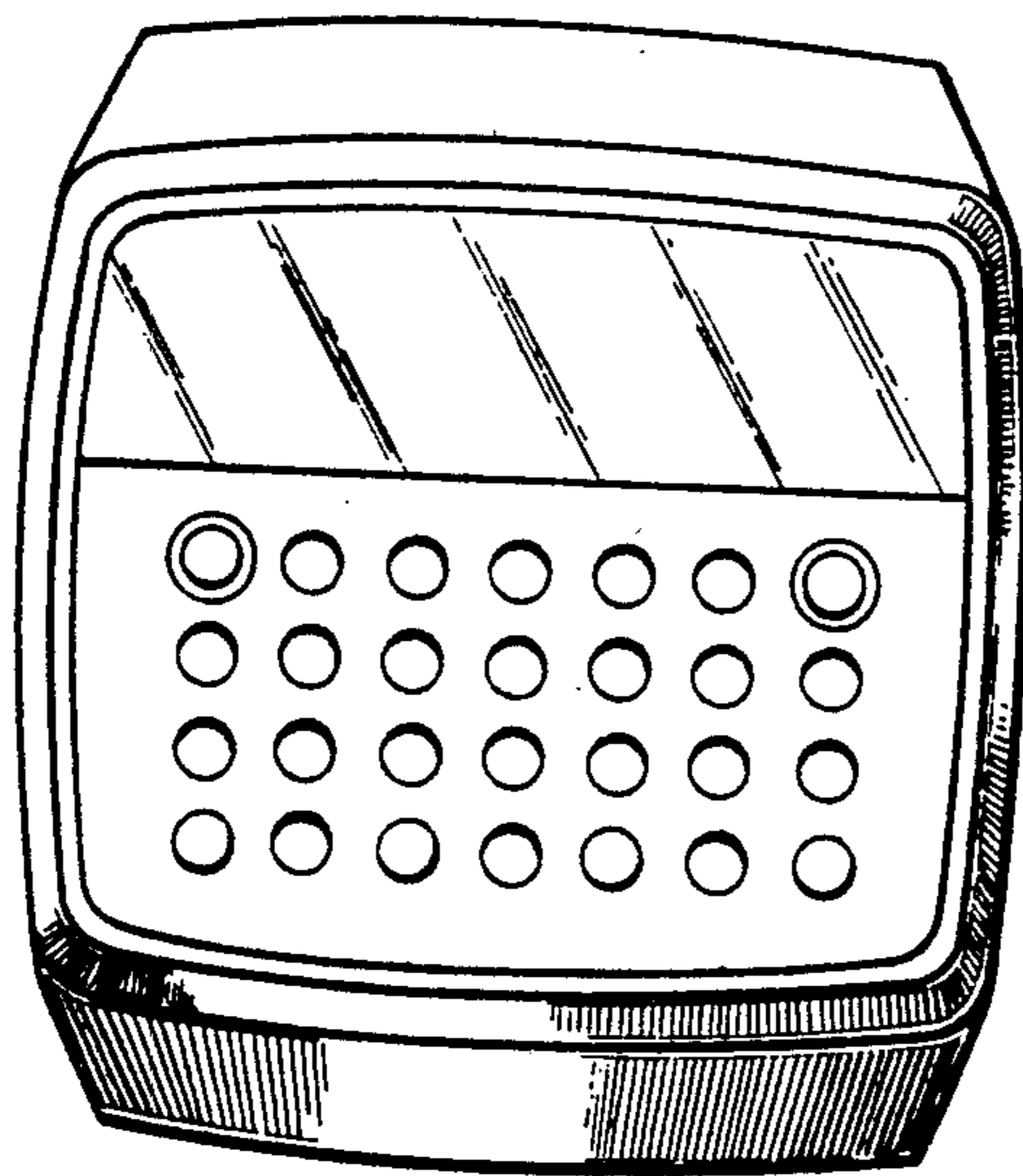


Figure 2