

[54] **DISPLAY CONTAINER FOR A SAFETY RAZOR**

D. 227,446 6/1973 Glaberson D9/186
D. 239,699 4/1976 Glaberson D9/186
3,045,812 7/1962 Randolph 206/228

[76] **Inventor:** Lee Halleron, 5725 Charles City Cir.,
Richmond, Va. 23231

Primary Examiner—Robert C. Spangler
Attorney, Agent, or Firm—Elizabeth Newton Dew

[**] **Term:** 14 Years

[21] **Appl. No.:** 732,875

[57] **CLAIM**

[22] **Filed:** Oct. 15, 1976

The ornamental design for a display container for a safety razor, as shown.

[51] **Int. Cl.** D9-03

[52] **U.S. Cl.** D9/239; D9/186

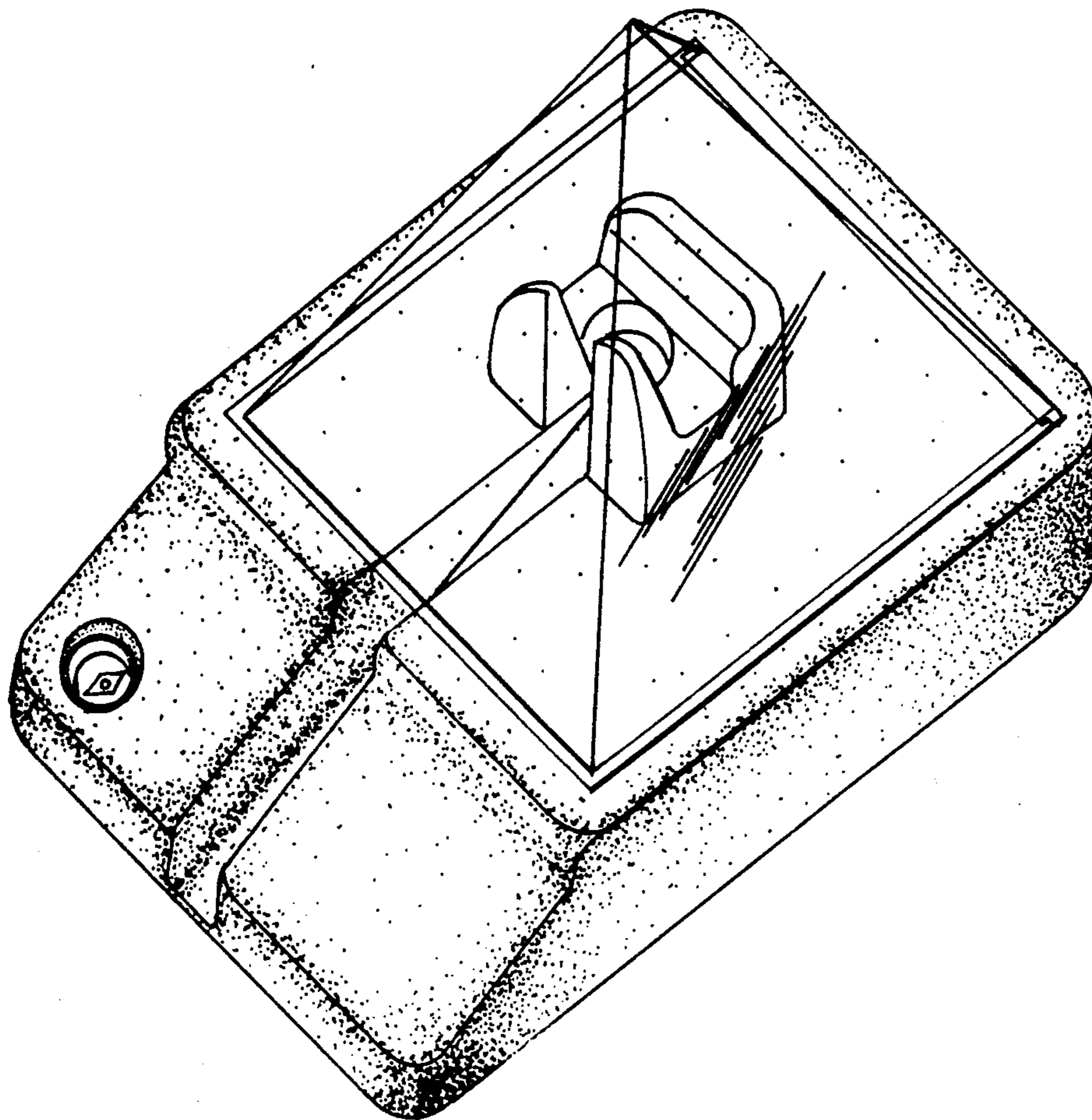
[58] **Field of Search** 206/228, 351, 45.31;
D9/186, 192, 222-240; D87/1 B

DESCRIPTION

FIG. 1 is a top perspective of a display container for a safety razor showing my new design;
FIG. 2 is a front elevation;
FIG. 3 is a top plan view;
FIG. 4 is an elevation as seen from the rear;
FIG. 5 is a bottom plan view;
FIG. 6 is a side elevation as seen from the right; and
FIG. 7 is an elevation as seen from the left.

[56] **References Cited**
U.S. PATENT DOCUMENTS

D. 210,355 3/1968 Lay D9/192



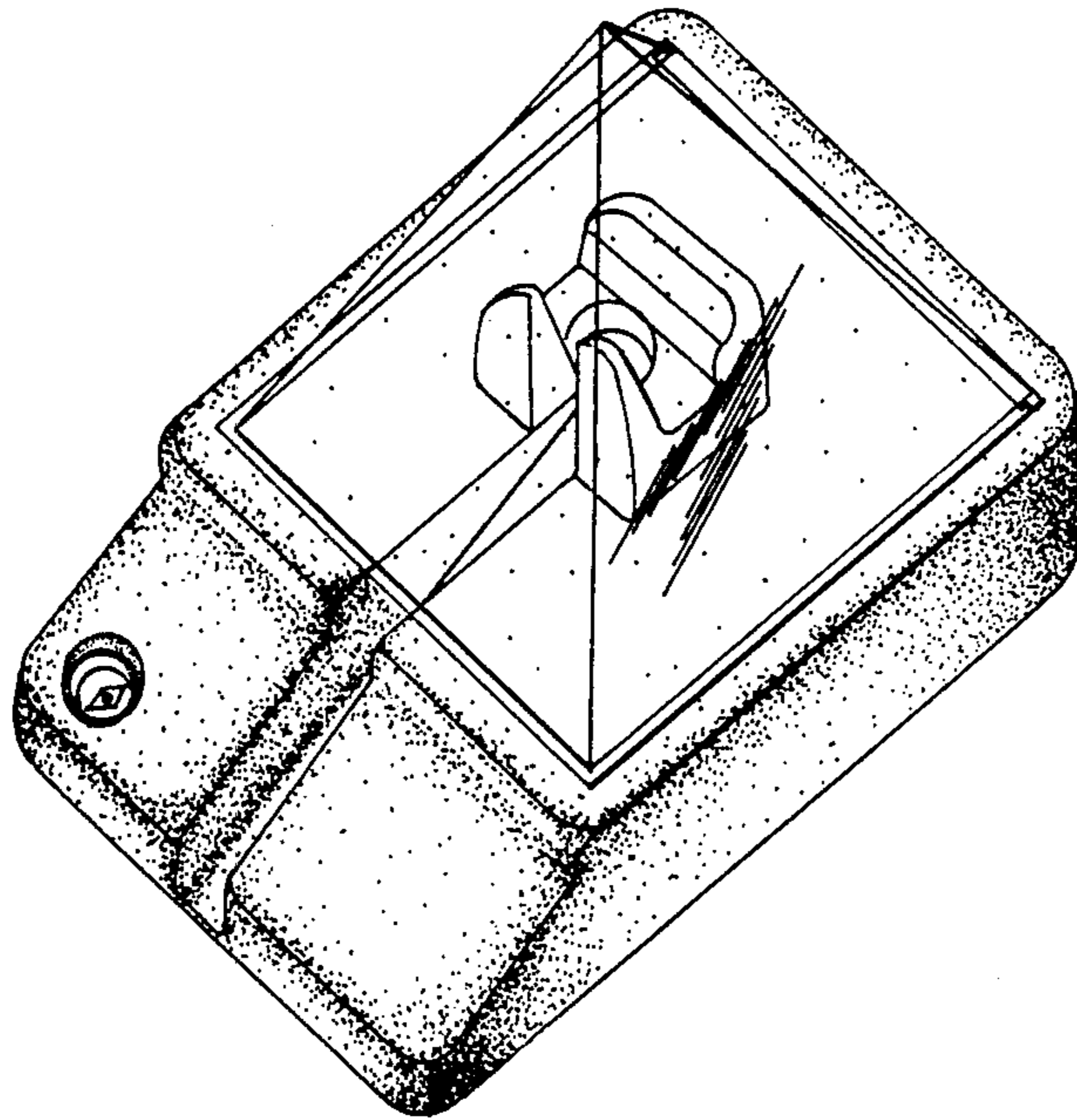


FIG. 1

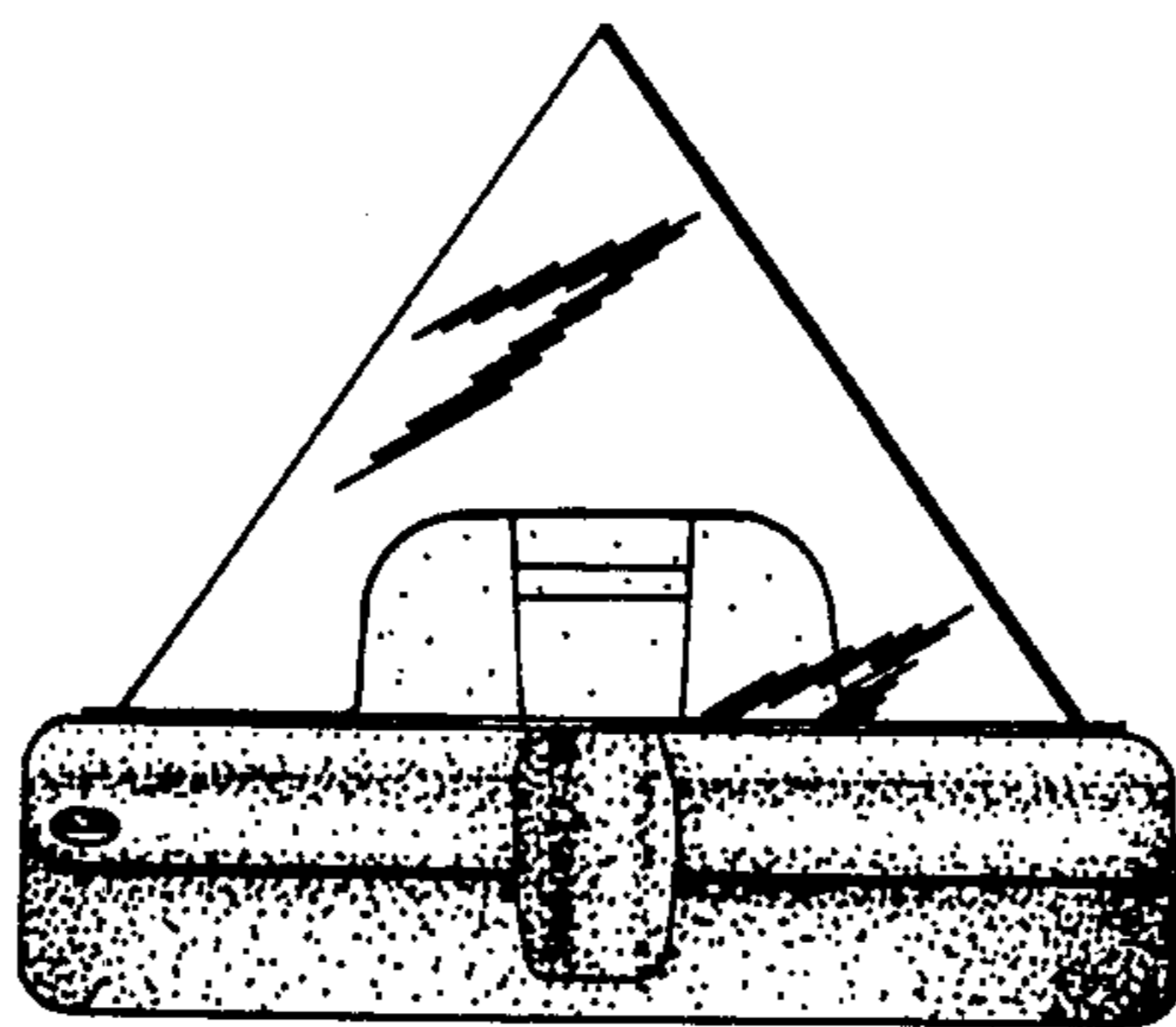


FIG. 2

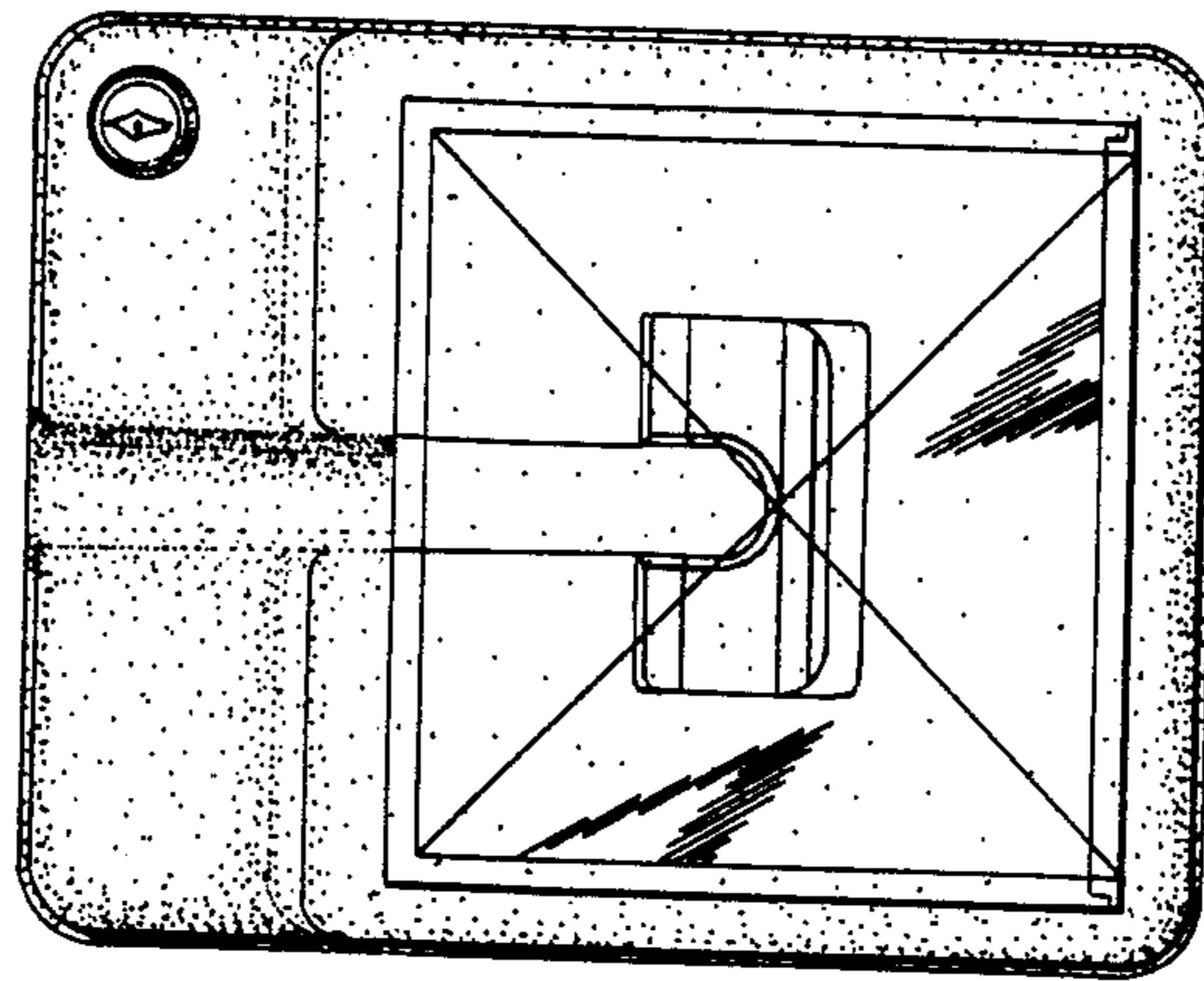


FIG. 3

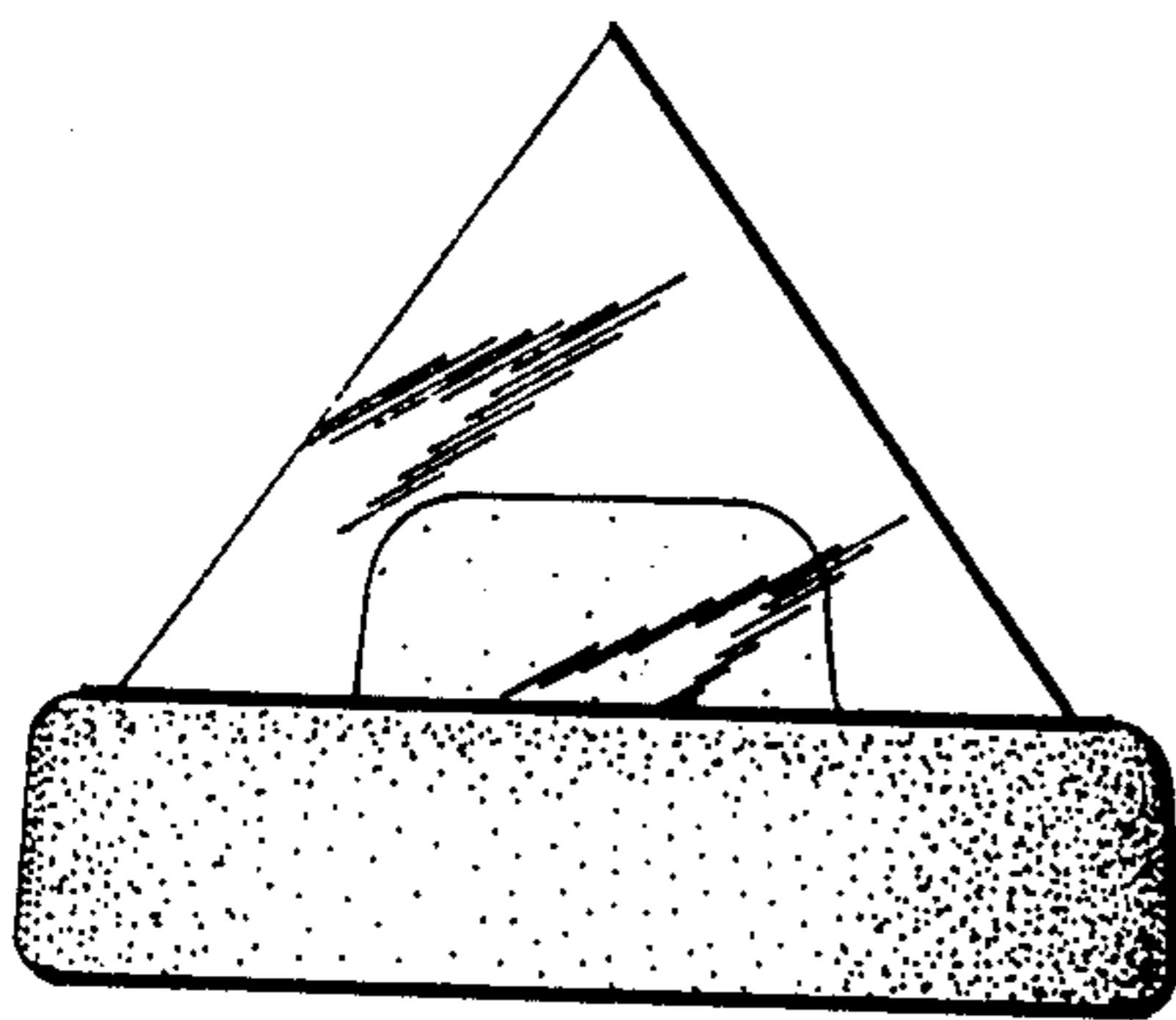


FIG. 4

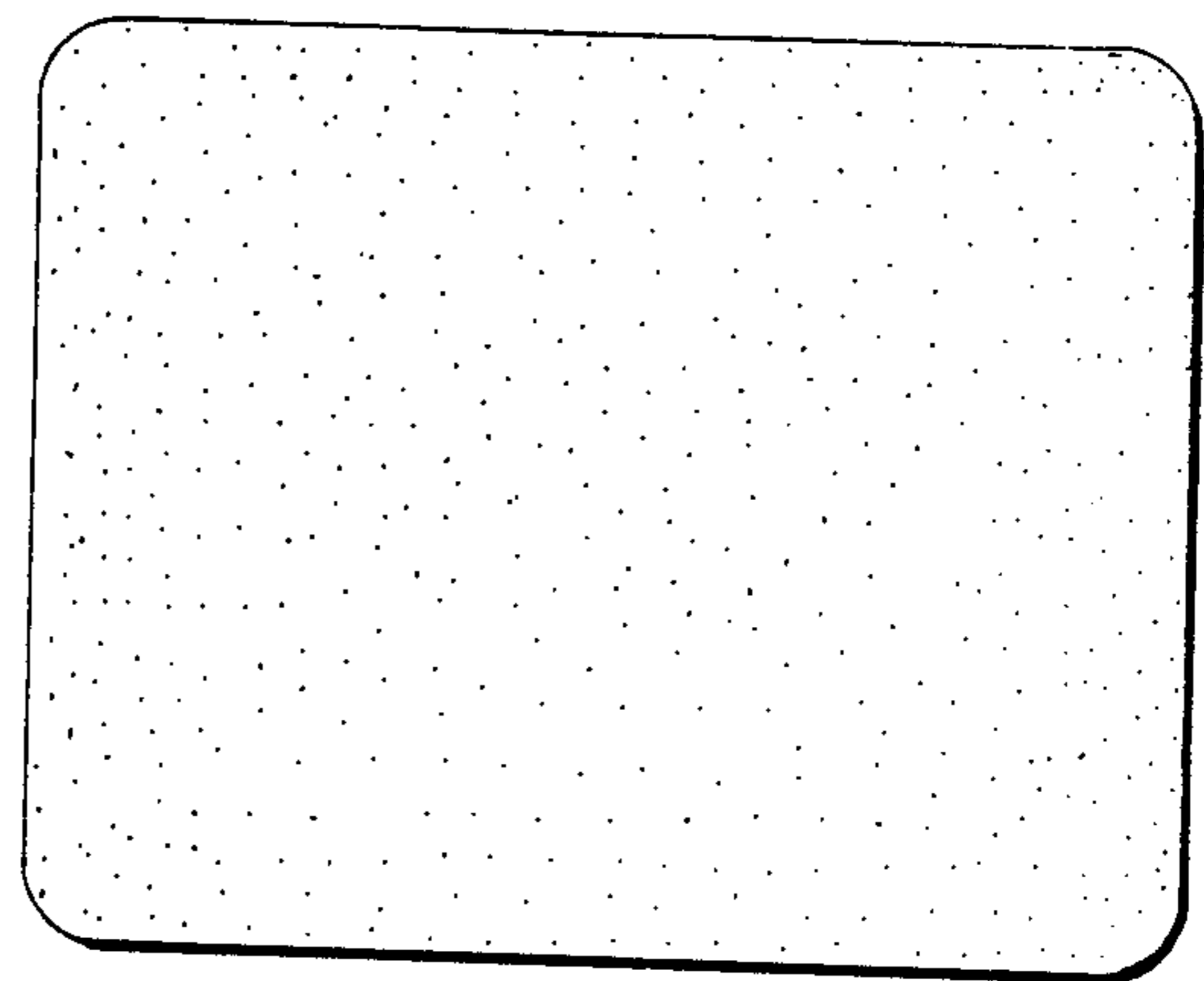


FIG. 5

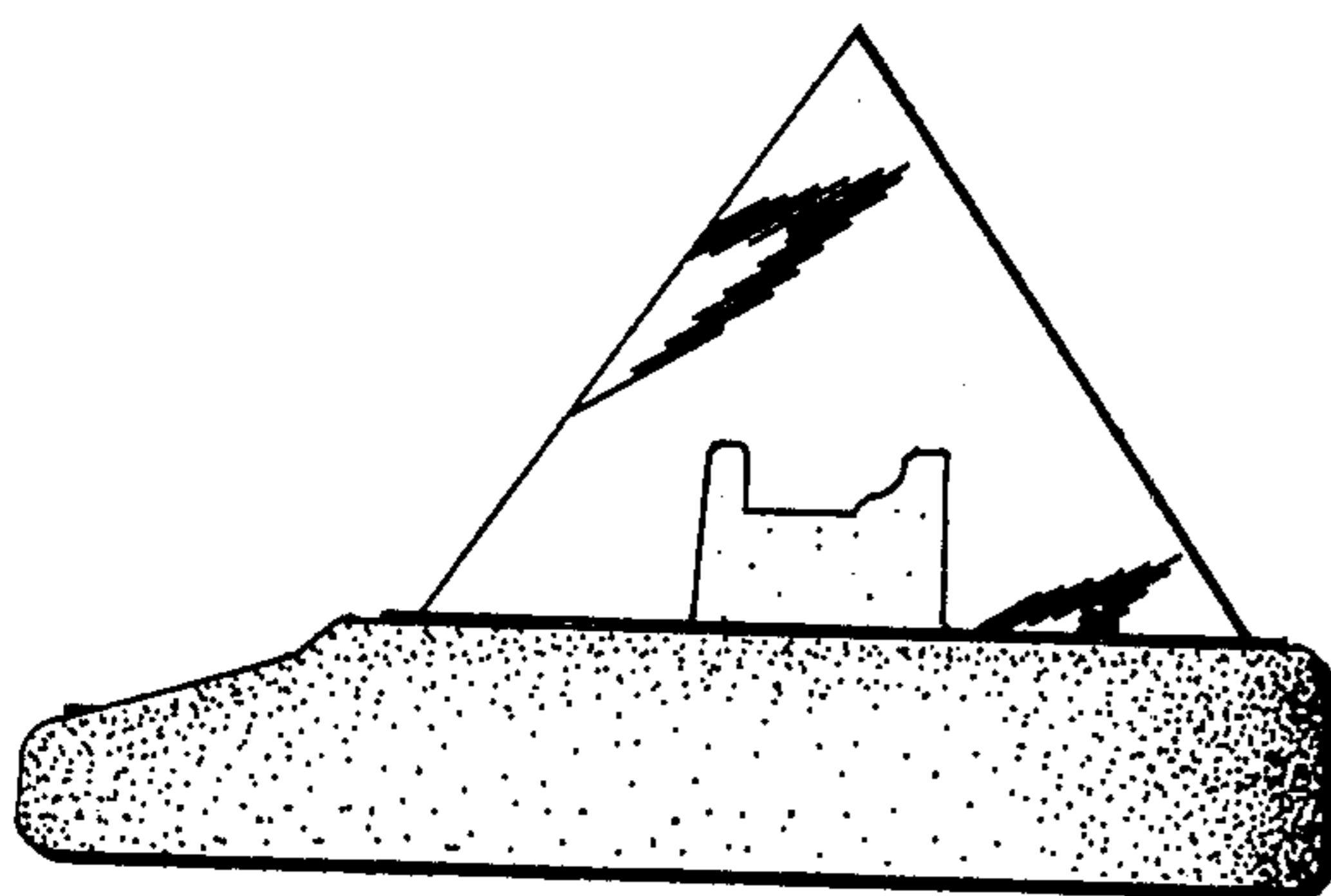


FIG. 6

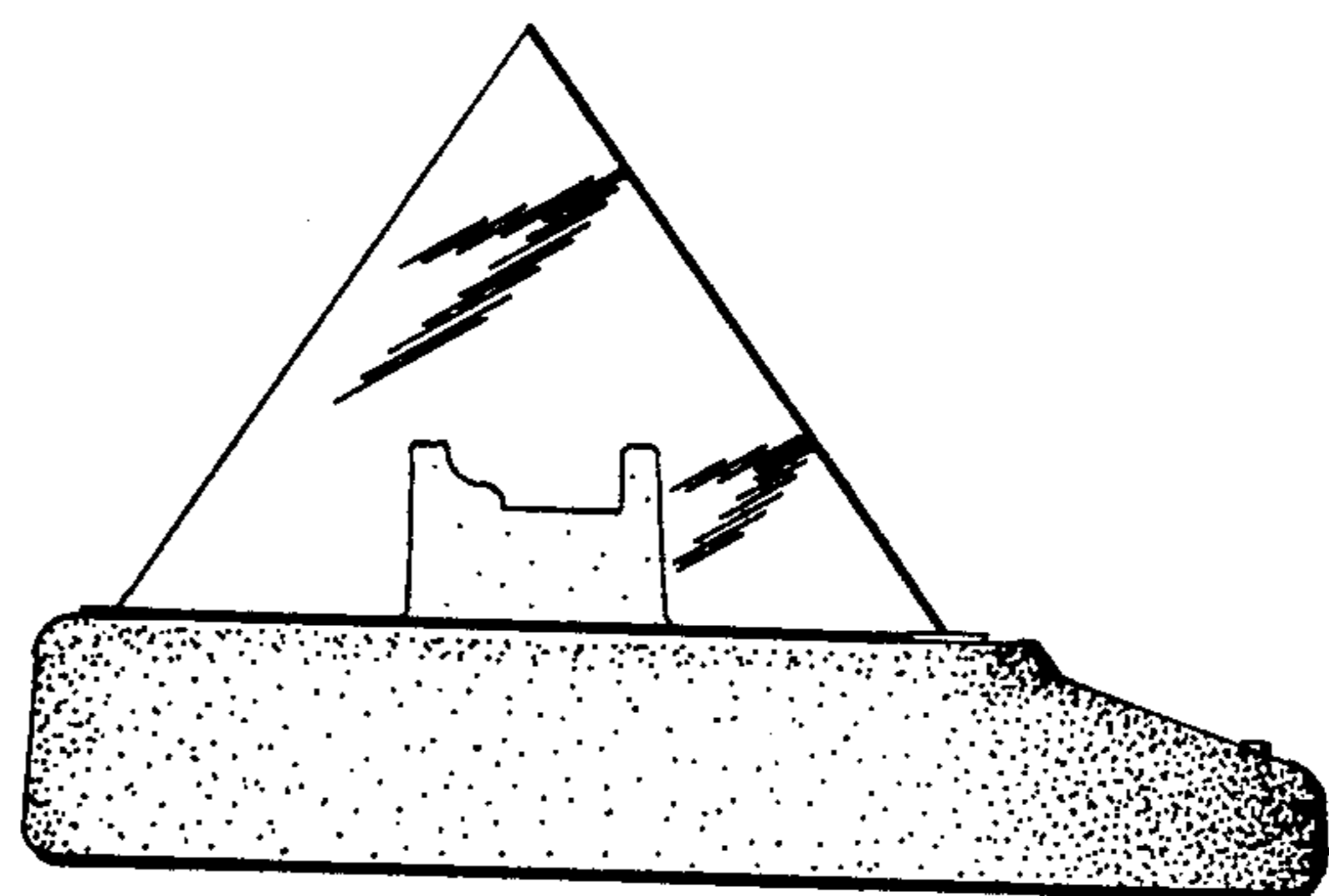


FIG. 7