

# United States Patent [19]

Pfeifer

[11] **Des. 249,239**

[45] **\*\* Sep. 5, 1978**

[54] **COMBINED PACKAGING AND CARRYING CONTAINER**

[76] **Inventor:** LaVern M. Pfeifer, 1153 24th Ave., Columbus, Nebr. 68601

[\*\*] **Term:** 14 Years

[21] **Appl. No.:** 704,201

[22] **Filed:** Jul. 12, 1976

[51] **Int. Cl.** ..... D9-03

[52] **U.S. Cl.** ..... D9/222

[58] **Field of Search** ..... 224/45 R, 45 AB, 45 BA, 224/45 H, 45 P; 229/52 B, 52 A; D9/222-240; D87/1 R

[56] **References Cited**

### U.S. PATENT DOCUMENTS

D. 101,608	10/1936	Ansehl .....	D9/239
D. 140,632	3/1945	Lawson .....	D9/239 X
3,099,380	7/1963	Nathan .....	229/52 B X
3,099,383	7/1963	Redpath et al. ....	229/52 B

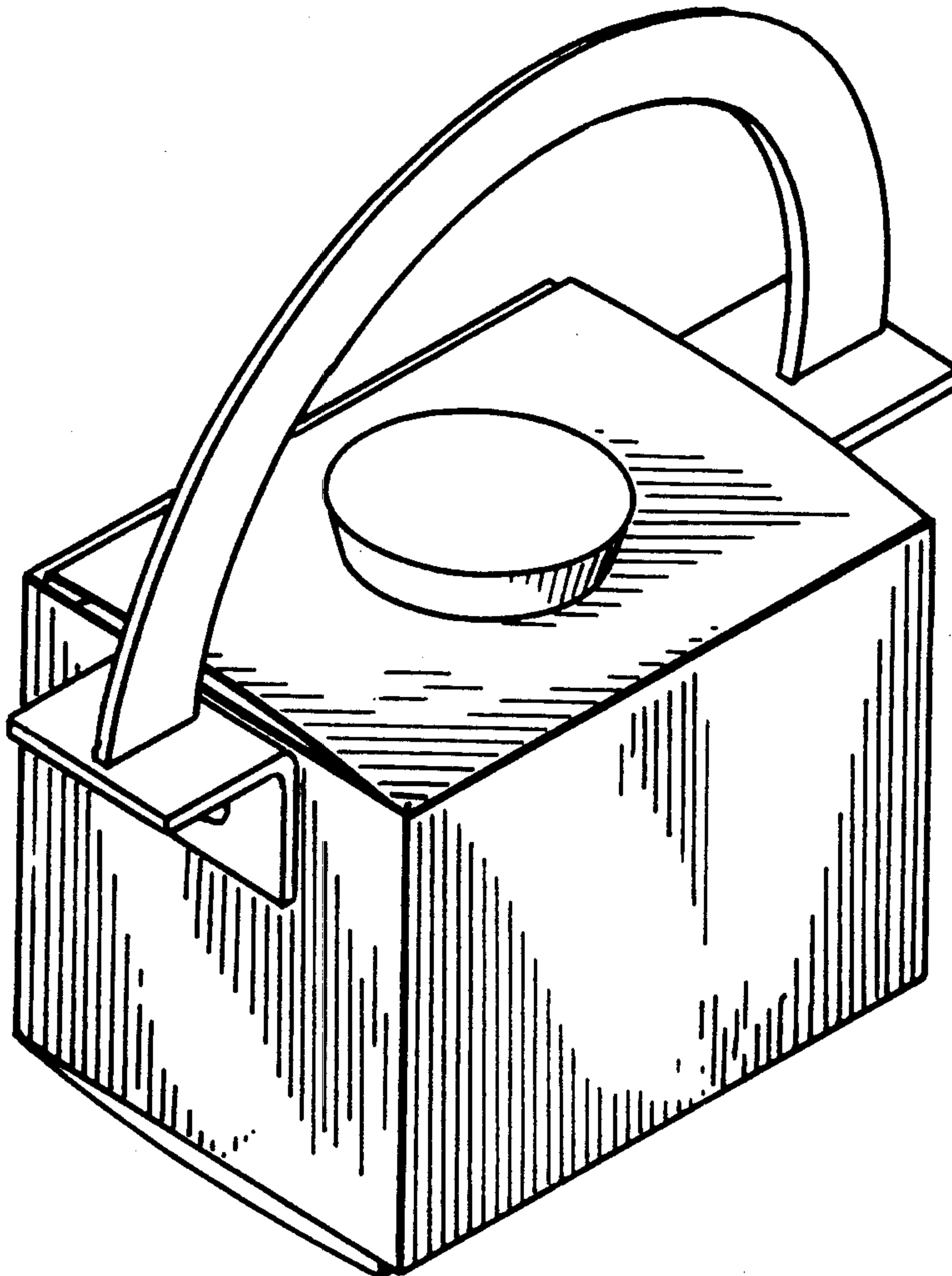
*Primary Examiner*—Robert C. Spangler  
*Attorney, Agent, or Firm*—Louis J. Strom

[57] **CLAIM**

The ornamental design for a combined packaging and carrying container, substantially as shown.

### DESCRIPTION

FIG. 1 is a perspective view of the combined packaging and carrying container showing my new design; FIG. 2 is a rear elevational view thereof; FIG. 3 is a righthand elevational view thereof; and FIG. 4 is a bottom plan view thereof.



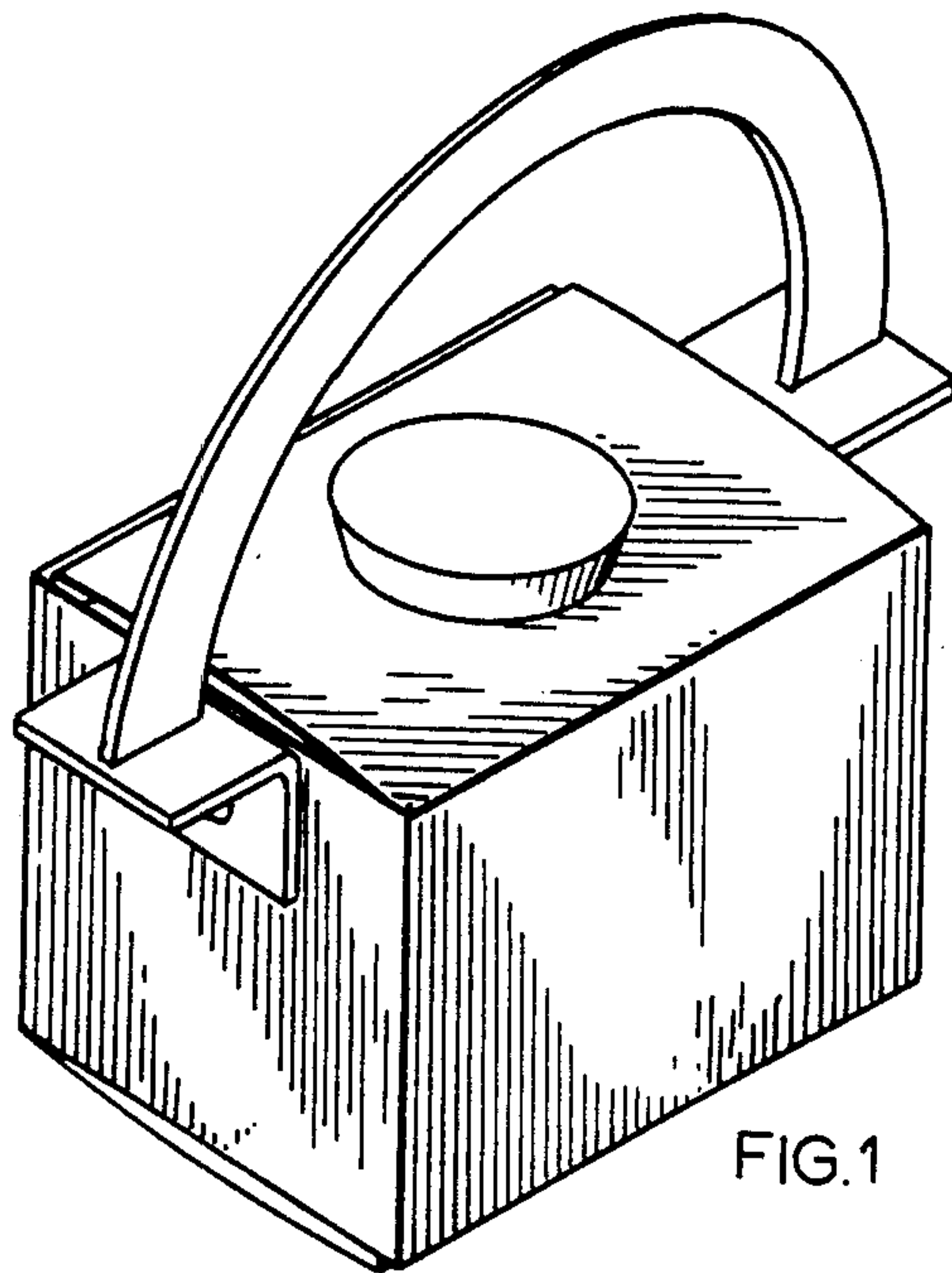


FIG. 1

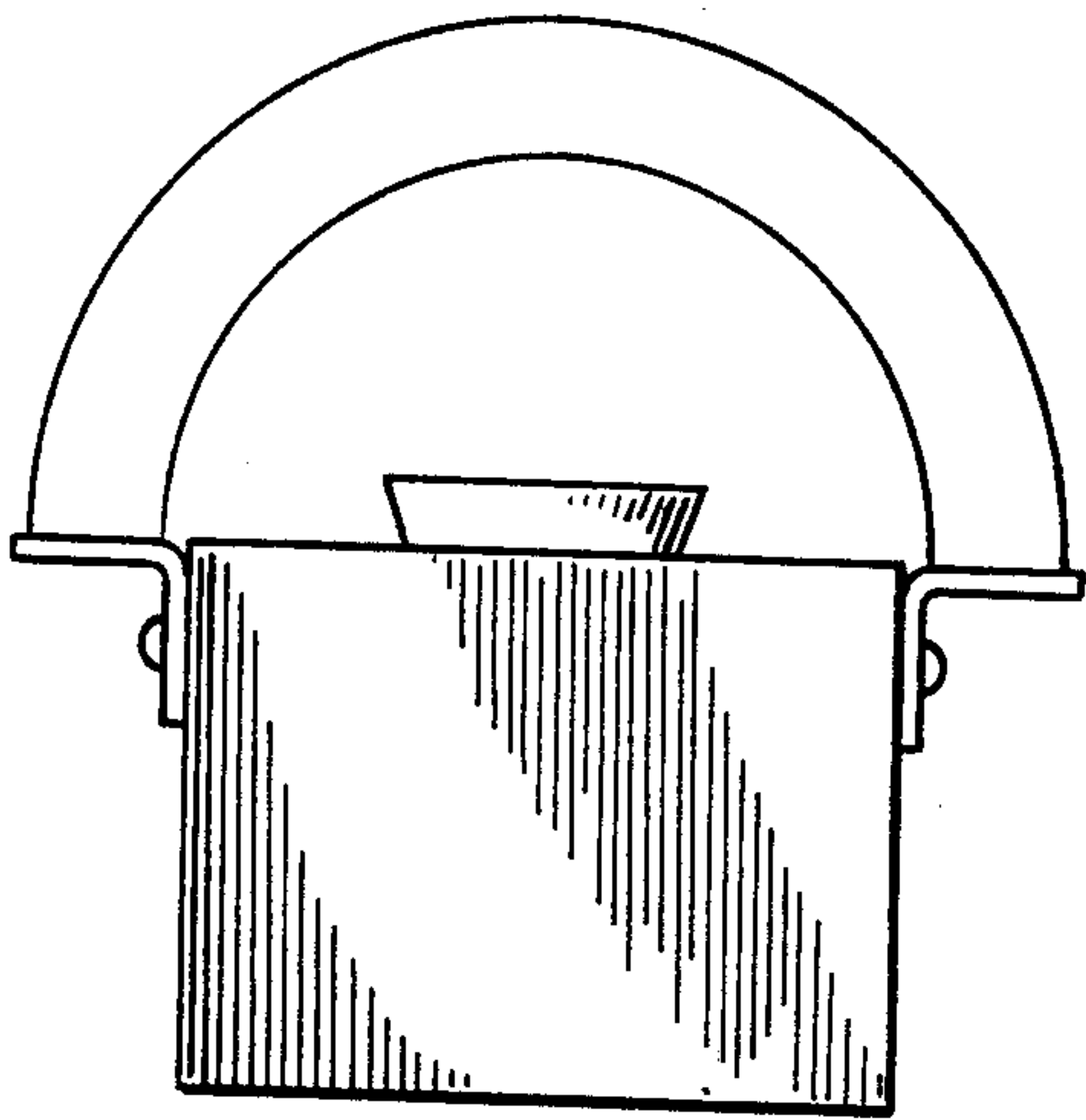


FIG. 2

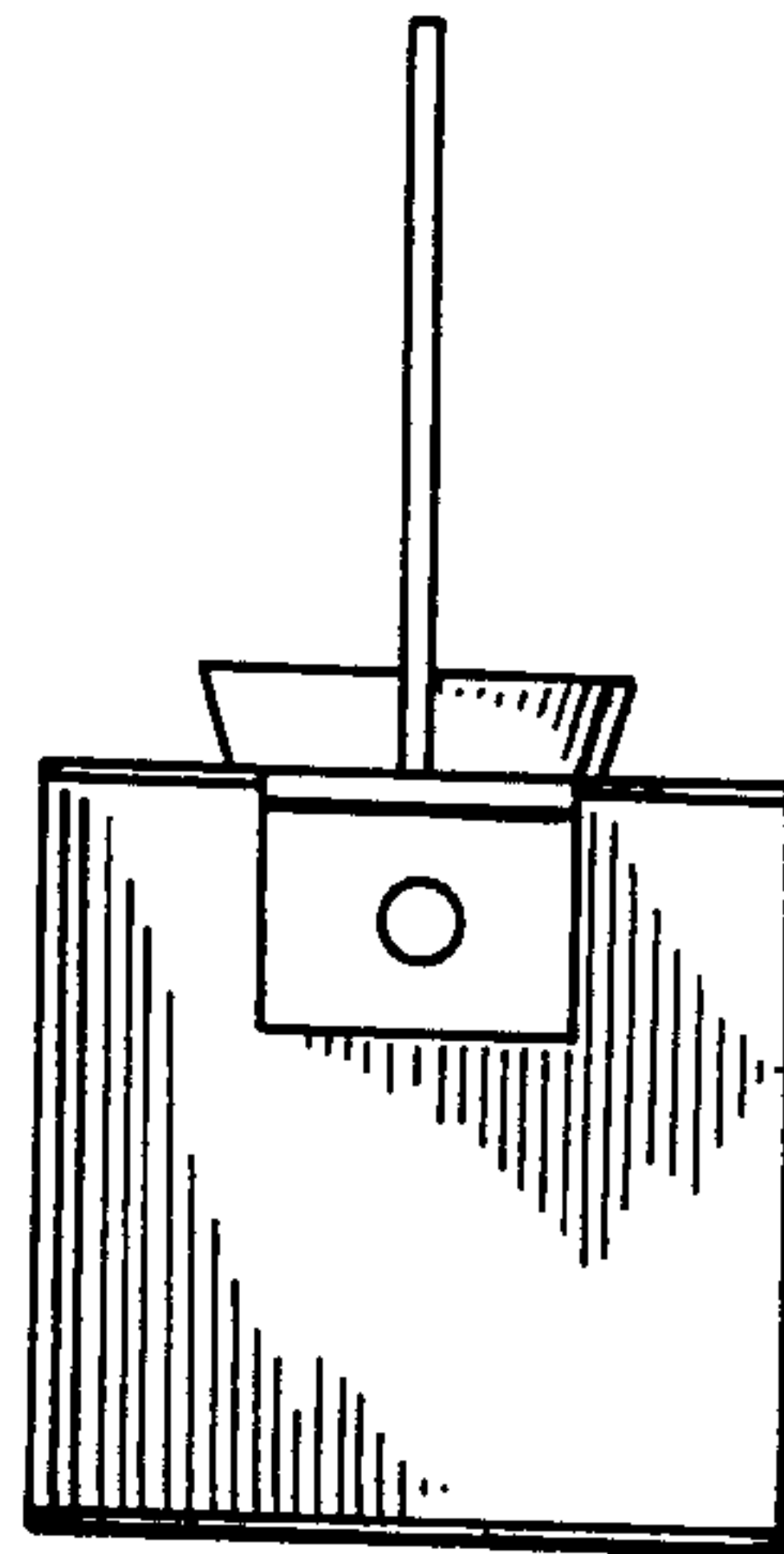


FIG. 3

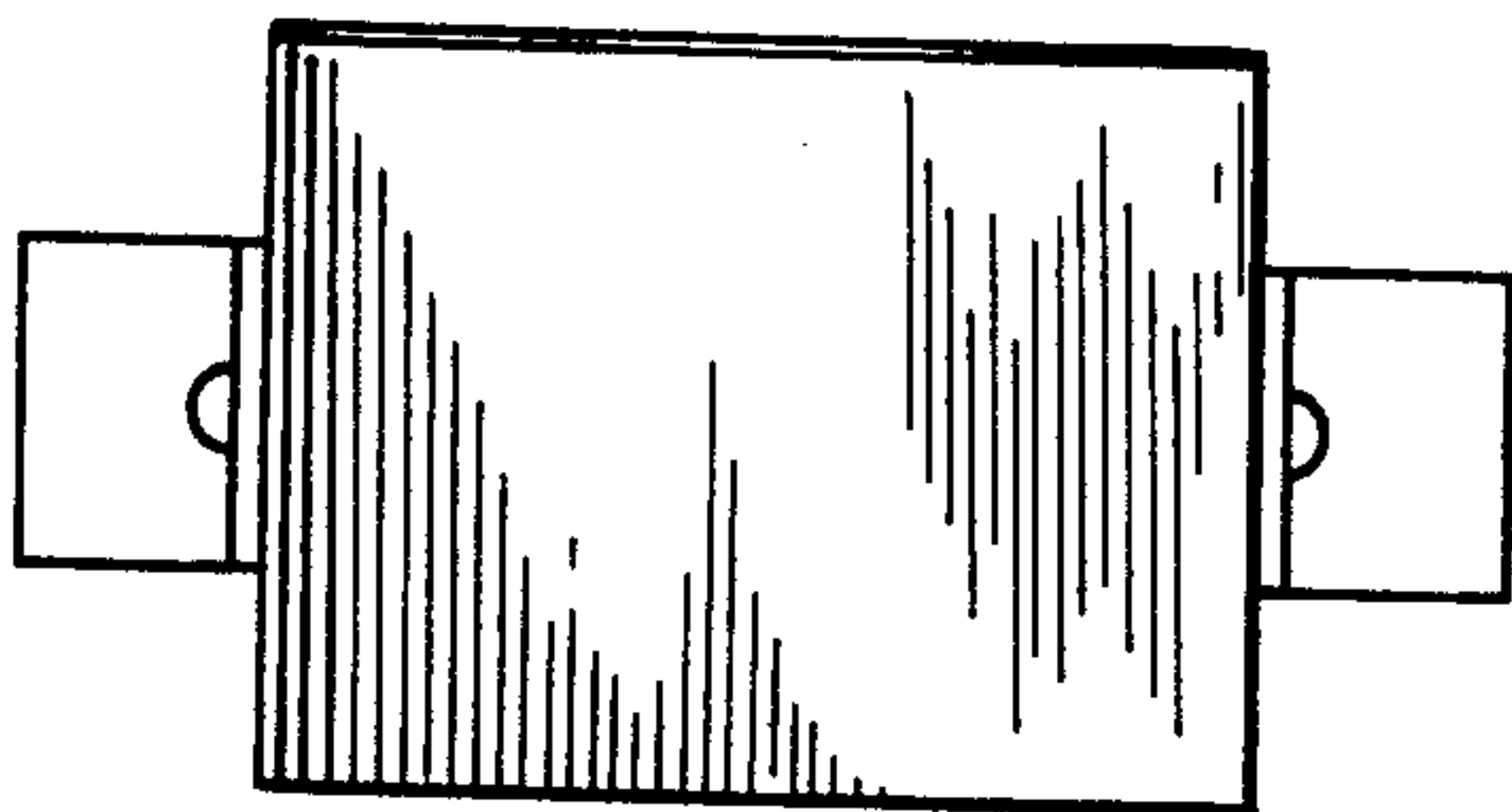


FIG. 4