

[54] PACKAGING TRAY

[76] Inventors: Victor Limon; Jose M. Ibañez, both of P.O. Box 326, Cidra, P.R. 00639

[**] Term: 14 Years

[21] Appl. No.: 755,075

[22] Filed: Dec. 28, 1976

[51] Int. Cl. D9-03

[52] U.S. Cl. D9/219; D9/242

[58] Field of Search 229/2.5, 4.5 M, 29 M, 229/30; D9/219, 242, 243; 220/72

[56] References Cited

U.S. PATENT DOCUMENTS

- D. 194,814 3/1963 Engles, Jr. et al. D9/219
- D. 198,290 5/1964 Miller, Jr. et al. D9/219

- D. 206,687 1/1967 Peace D9/219
- D. 207,131 3/1967 Peace D9/219
- D. 226,706 4/1973 Reifers et al. D19/219
- D. 245,070 7/1977 Congleton D9/242 X
- 3,151,799 10/1964 Engles, Jr. et al. 229/2.5
- 3,563,445 2/1971 Clayton 220/72

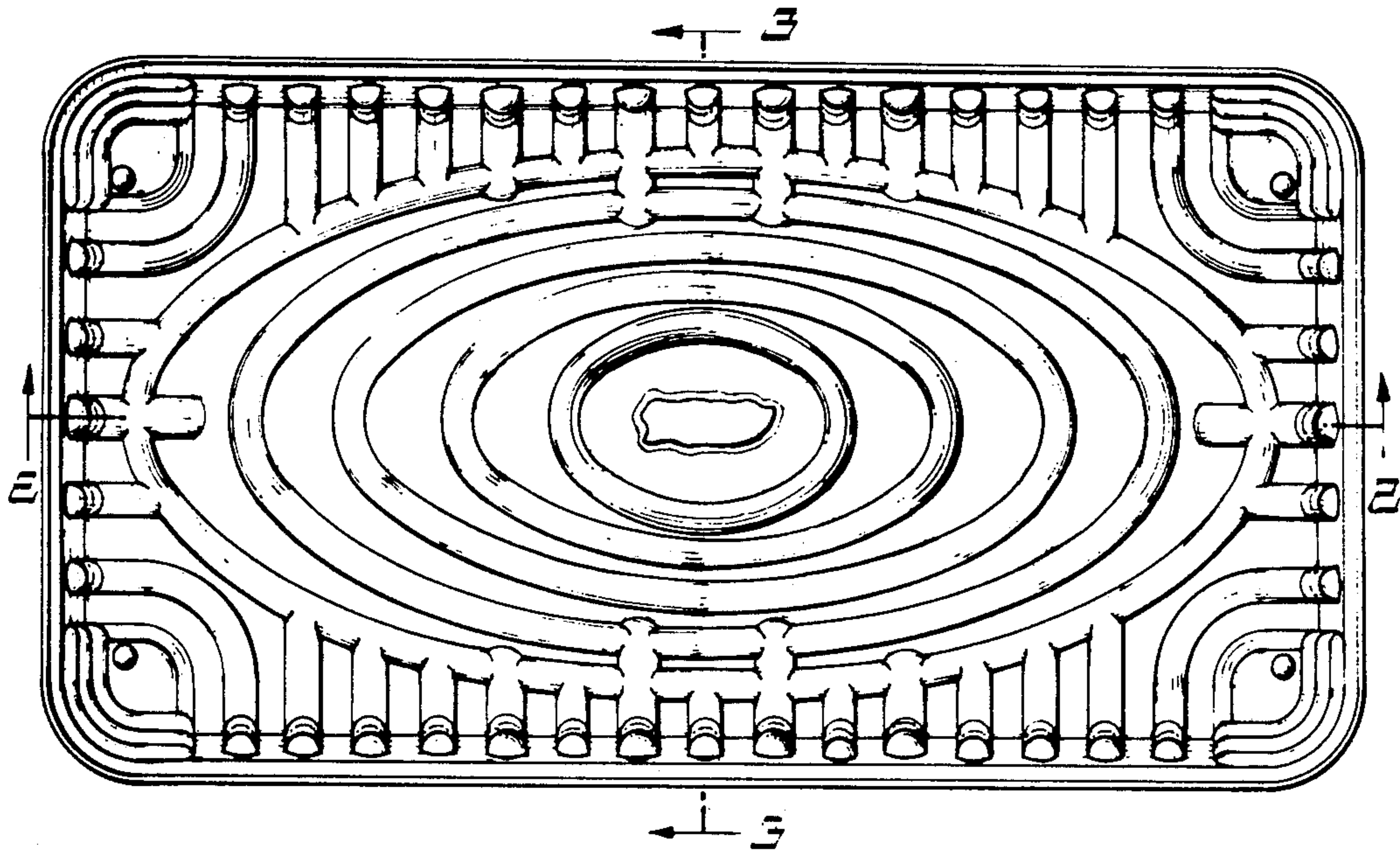
Primary Examiner—Robert C. Spangler
Attorney, Agent, or Firm—Raphael Semmes

[57] CLAIM

The ornamental design for a packaging tray, as shown.

DESCRIPTION

FIG. 1 is a top plan view of a packaging tray showing our new design;
FIG. 2 is a sectional view taken on the line 2—2 of FIG. 1; and
FIG. 3 is a sectional view taken on the line 3—3 of FIG. 1.



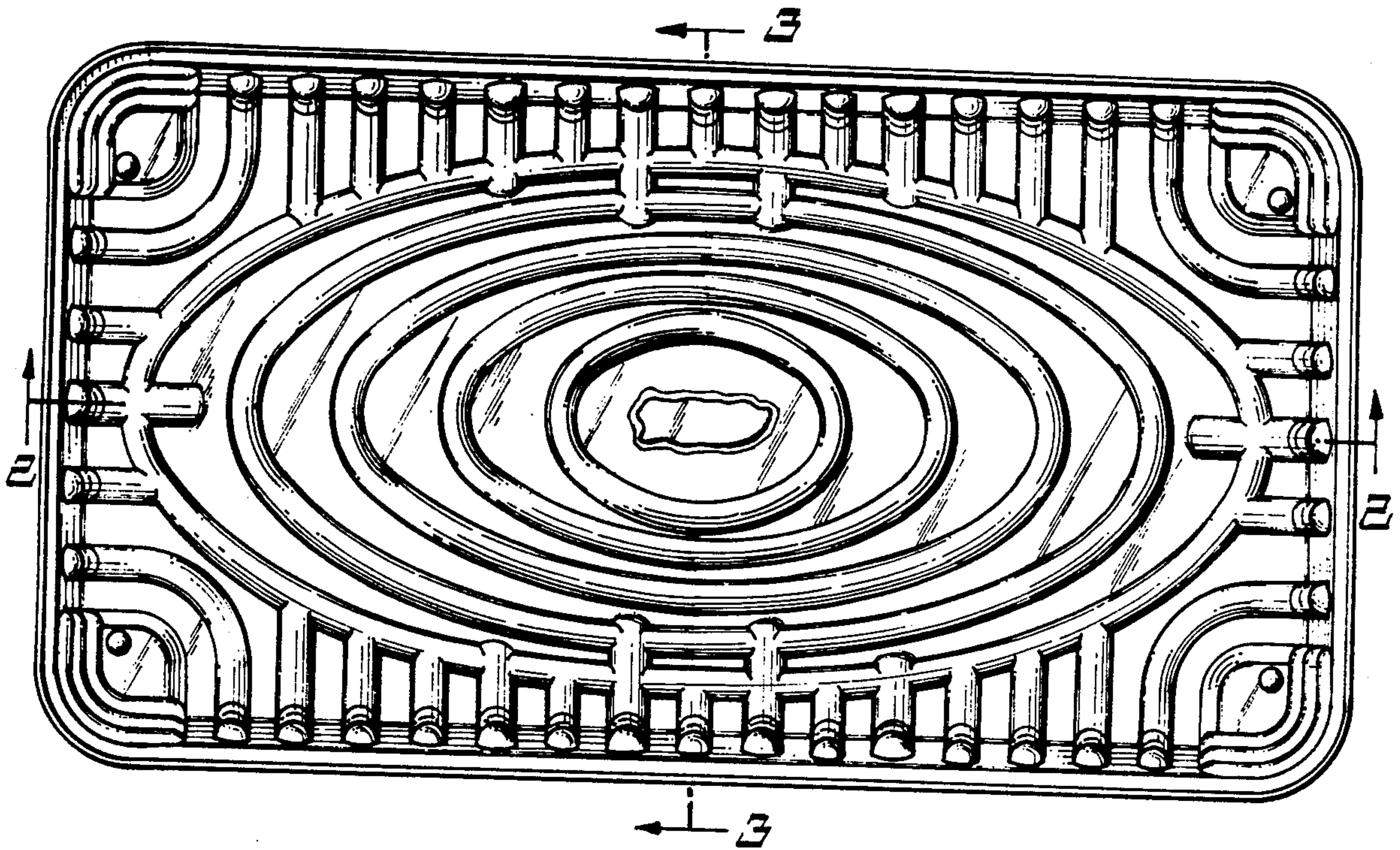


Fig. 1.

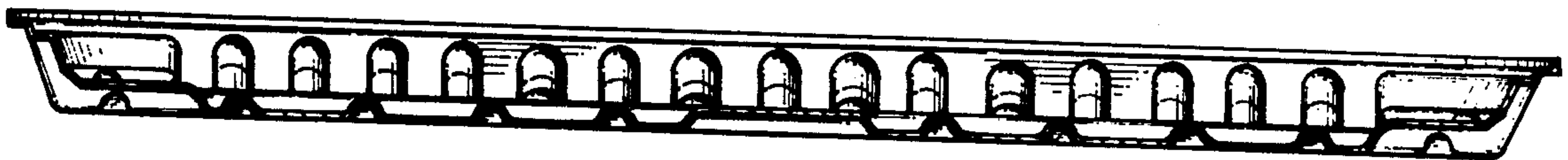


Fig. 2.

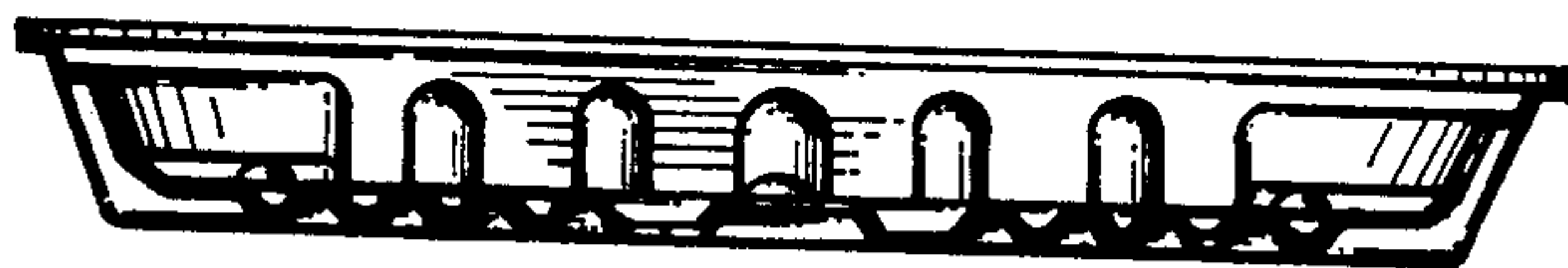


Fig. 3.