

[54] HANDLE FOR FURNITURE DOORS,  
DRAWERS OR THE LIKE

[75] Inventor: **Roland Spellier**, Lemgo, Fed. Rep. of  
Germany

[73] Assignee: **Firma Richard Heinze GmbH & Co.**  
**KG**, Herford, Fed. Rep. of Germany

[\*\*] Term: **14 Years**

[21] Appl. No.: **653,862**

[22] Filed: **Jan. 30, 1976**

[30] **Foreign Application Priority Data**

Aug. 1, 1975 [DE] Fed. Rep. of Germany ..... 6 AR  
138/75

[51] Int. Cl. .... **D8-06**

[52] U.S. Cl. .... **D8/313**

[58] Field of Search ..... D8/165, 300, 310, 311,  
D8/313, 315, 316; 16/110 R, 121; 40/325

[56] **References Cited**

**U.S. PATENT DOCUMENTS**

D. 169,532	5/1953	Deadrick .....	D8/165
D. 200,962	4/1965	McCarthy .....	D8/165 X
1,286,745	12/1918	Otte .....	16/121
1,304,700	5/1919	Otte .....	40/325
2,259,077	10/1941	Morgan .....	16/121
2,723,073	11/1955	Fellowes .....	16/110 R

*Primary Examiner*—Wallace R. Burke

*Assistant Examiner*—B. J. Bullock

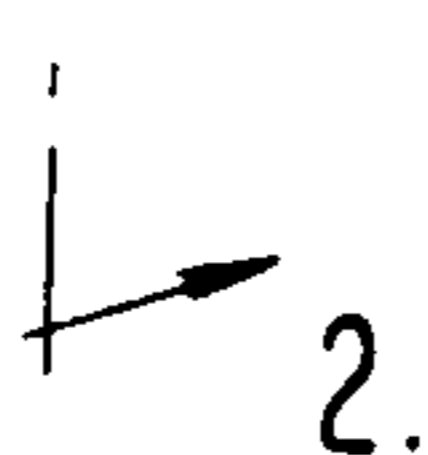
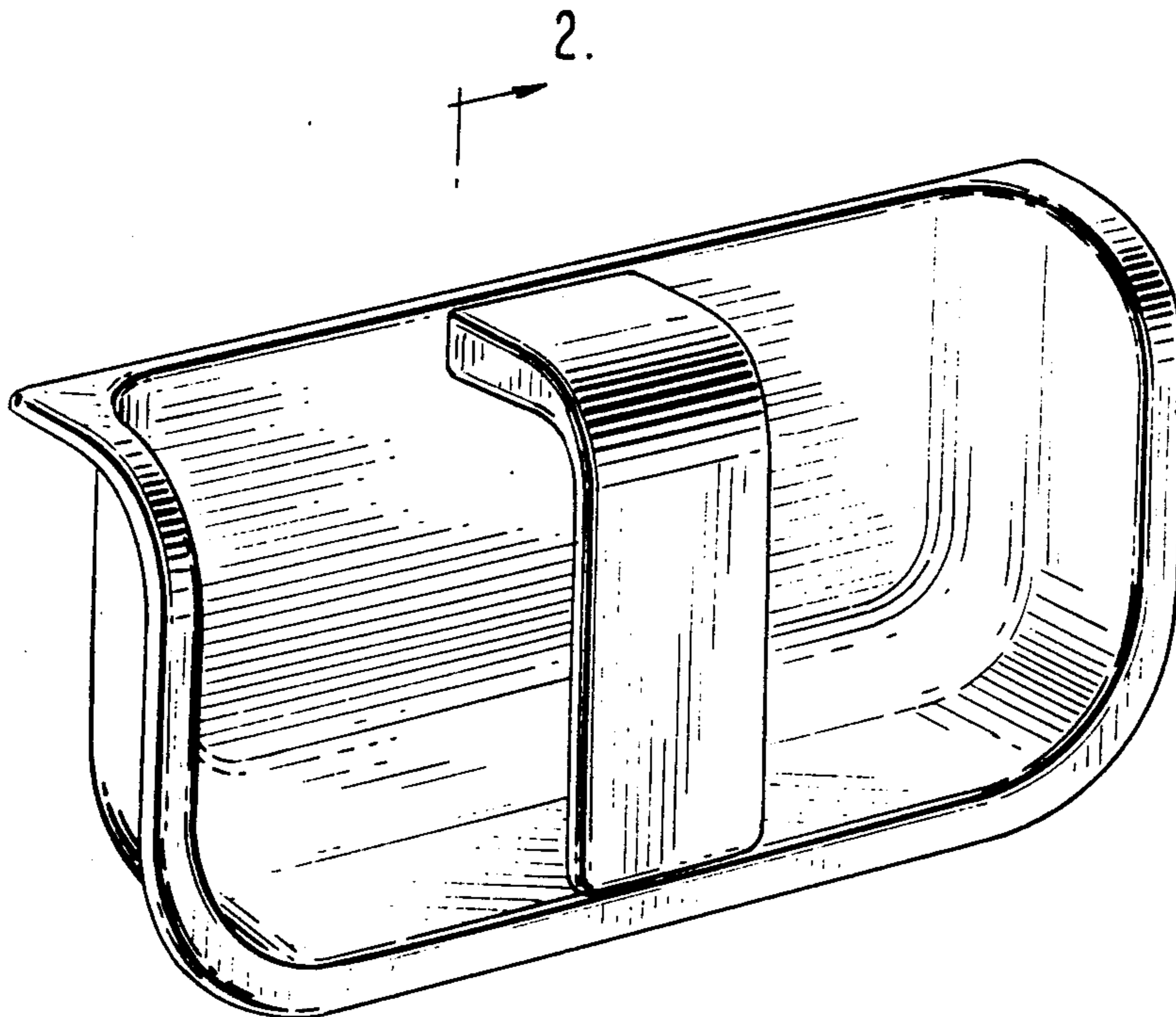
*Attorney, Agent, or Firm*—George Vande Sande

[57] **CLAIM**

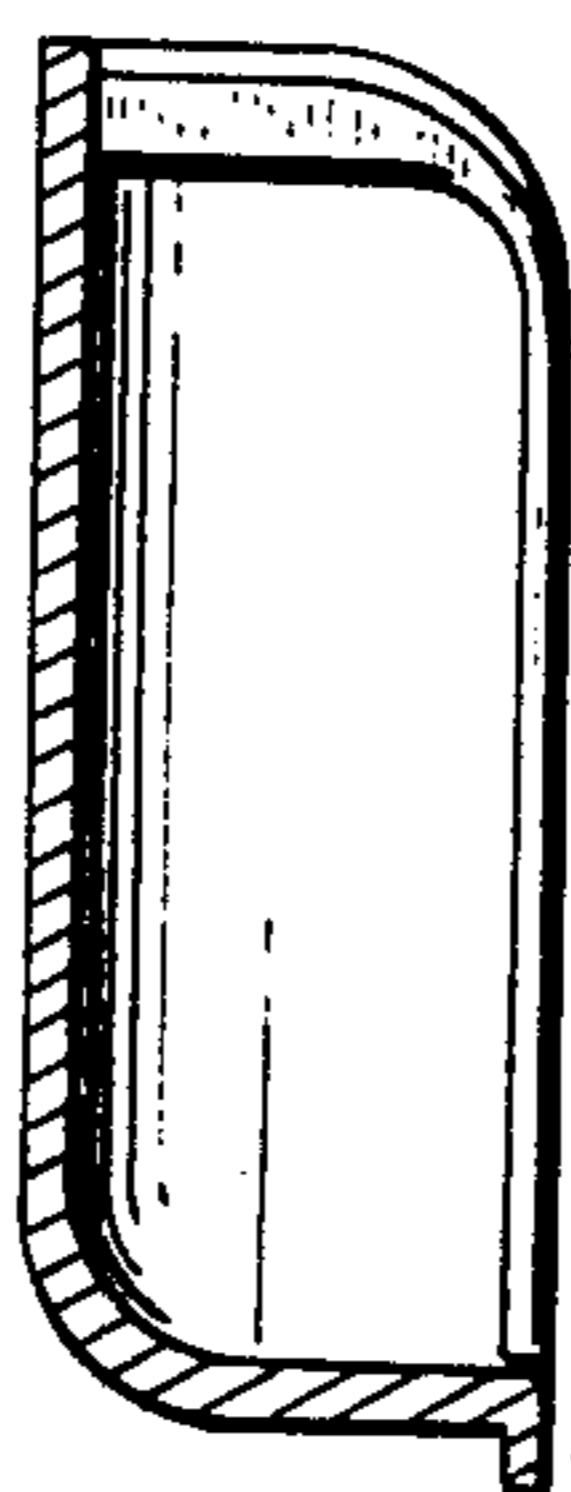
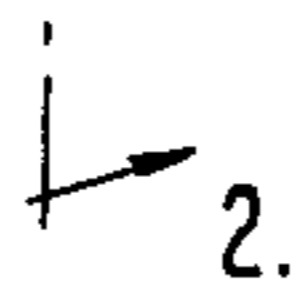
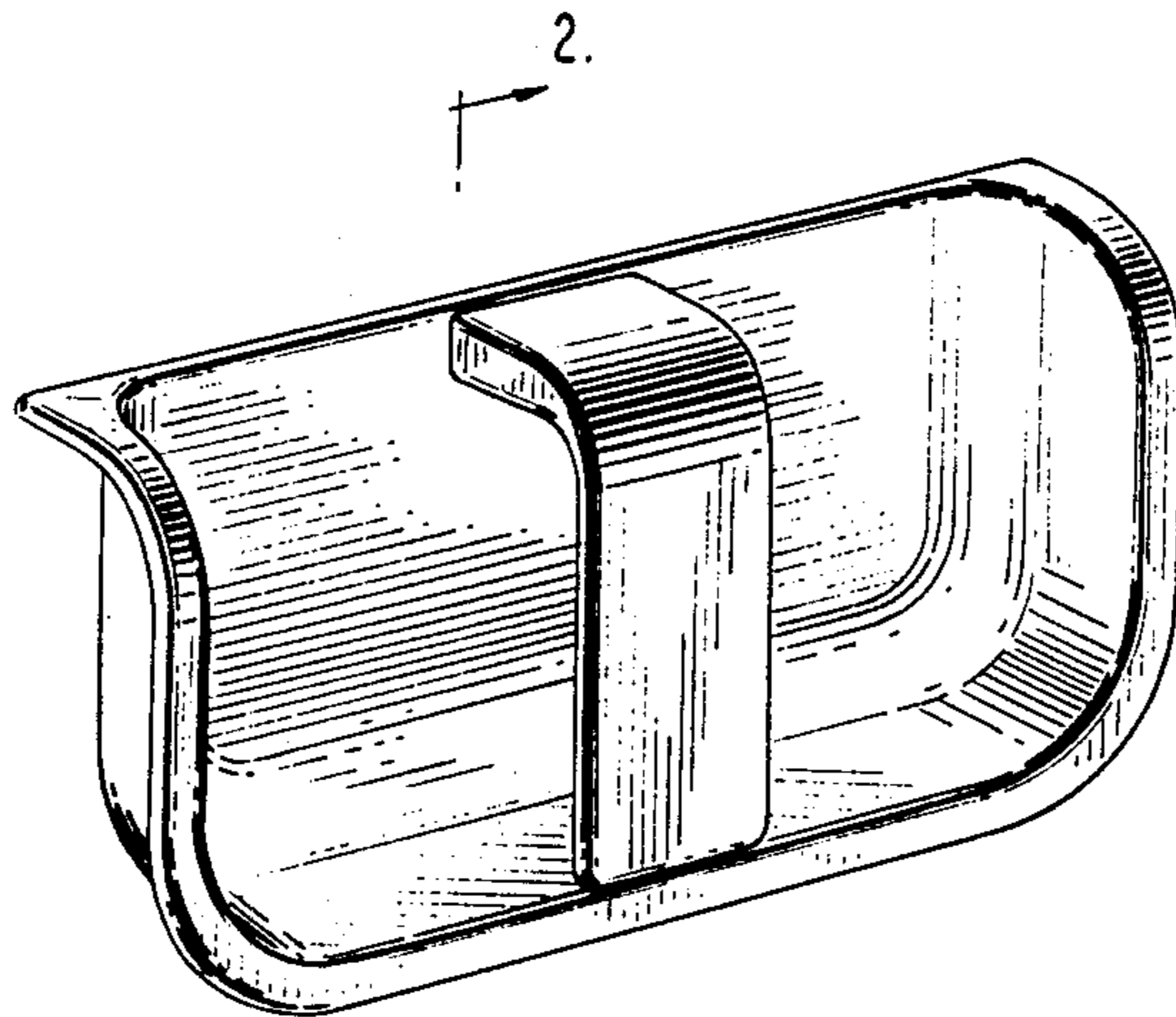
The ornamental design for a handle for furniture doors,  
drawers or the like, as shown.

**DESCRIPTION**

FIG. 1 is a perspective view of the handle for furniture  
doors, drawers or the like showing my new design.  
FIG. 2 is a sectional view through line 2—2 of FIG. 1 in  
the direction of the arrows.



**FIG. 1**



**FIG. 2**