

United States Patent [19]

Melamed

[11] **Des. 249,222**

[45] **** Sep. 5, 1978**

[54] **BORE-ALIGNING TOOL**
[75] Inventor: **Sam S. Melamed**, Cleveland Heights, Ohio
[73] Assignee: **Lempco Industries, Inc.**, Cleveland, Ohio
[**] Term: **14 Years**
[21] Appl. No.: **705,603**
[22] Filed: **Jul. 15, 1976**

[51] Int. Cl. **D8-05**
[52] U.S. Cl. **D8/14**
[58] Field of Search **D8/14; 29/271, 275**

[56] **References Cited**
U.S. PATENT DOCUMENTS
2,279,649 4/1942 White et al. 29/275

2,570,618 10/1951 Werner 29/271 X
3,050,733 8/1962 Bach 29/275 X
3,685,126 8/1972 Kane 29/271 X

Primary Examiner—Alan P. Douglas
Attorney, Agent, or Firm—William S. Rambo

[57] CLAIM

The ornamental design for a bore-aligning tool, substantially as shown.

DESCRIPTION

FIG. 1 is a perspective view of a bore-aligning tool showing my new design;
FIG. 2 is a side elevational view on a slightly larger scale looking at the side of the tool opposite that shown in FIG. 1;
FIG. 3 is an end elevational view looking toward the left hand end of the tool as viewed in FIG. 2; and
FIG. 4 is a similar view looking toward the opposite end of the bore-aligning tool.

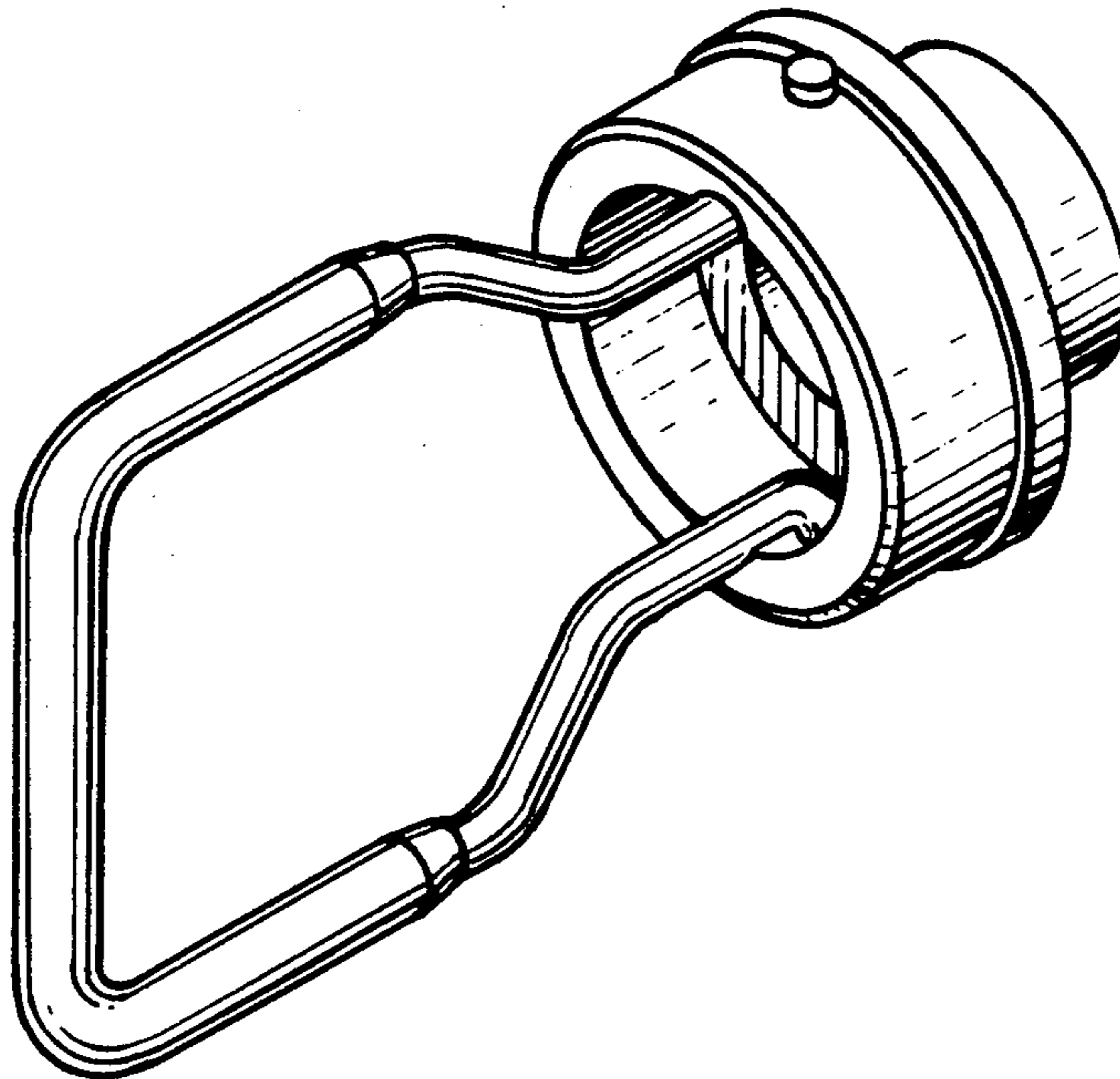


FIG. 1.

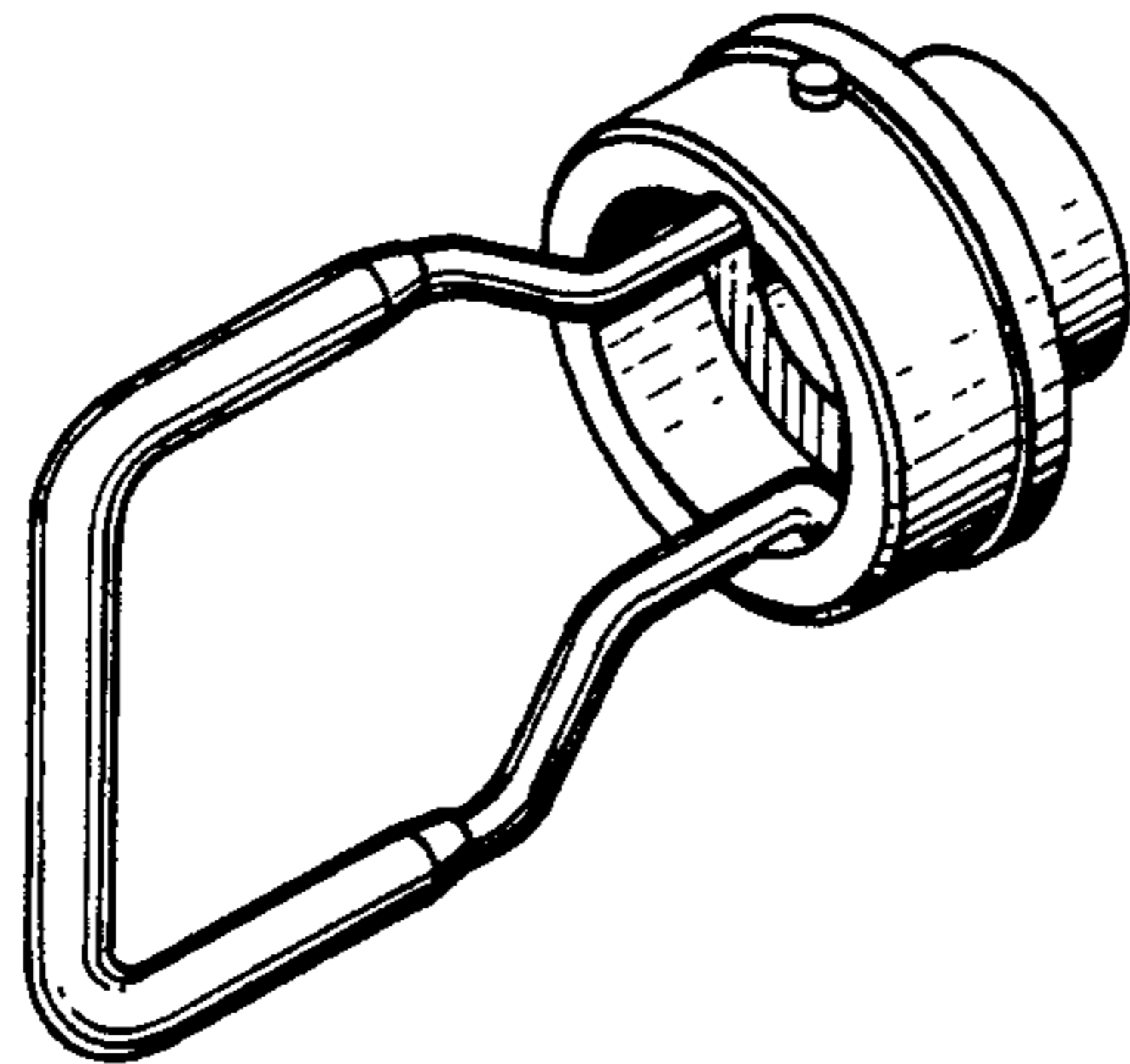


FIG. 2.

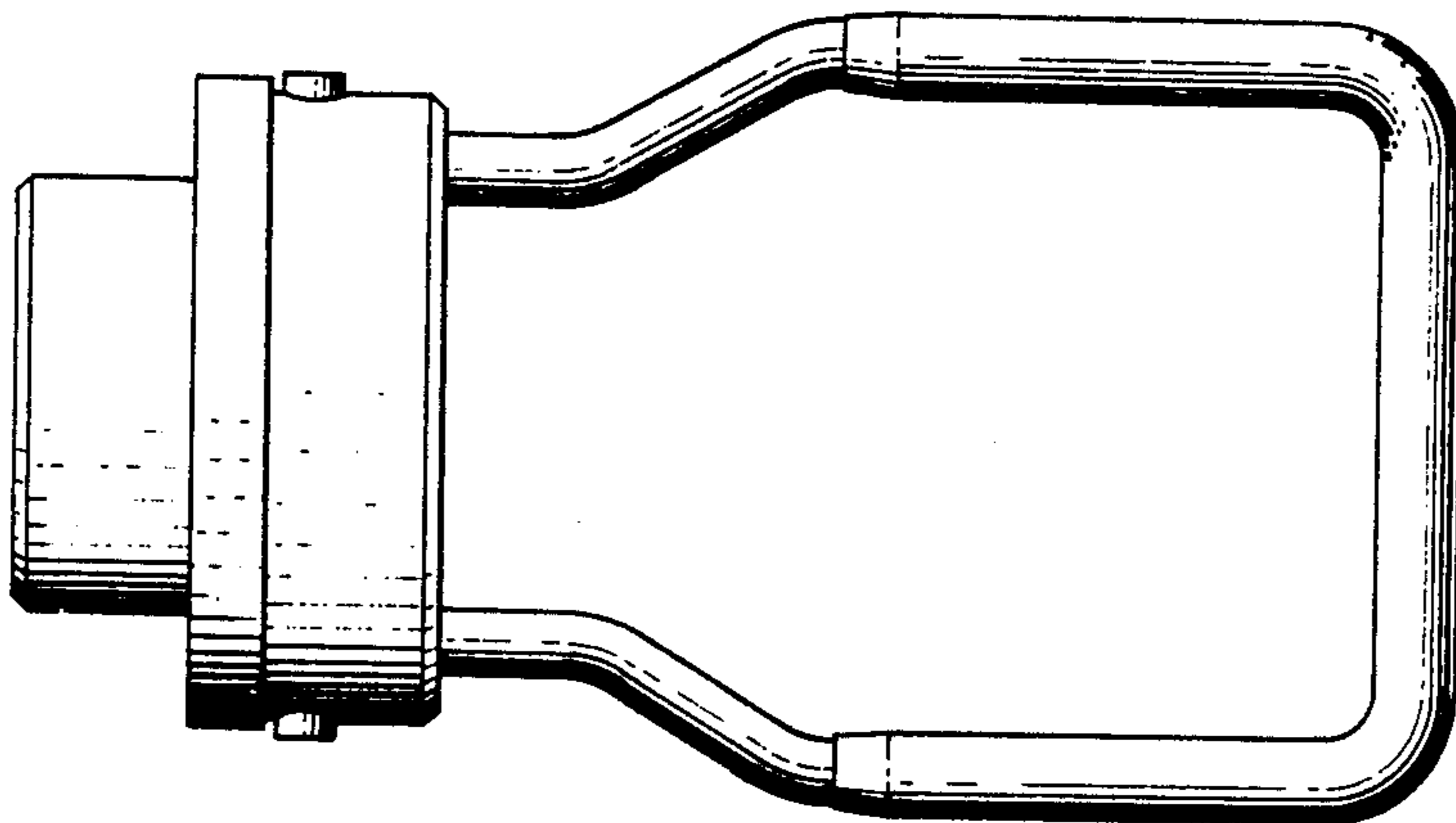


FIG. 4.

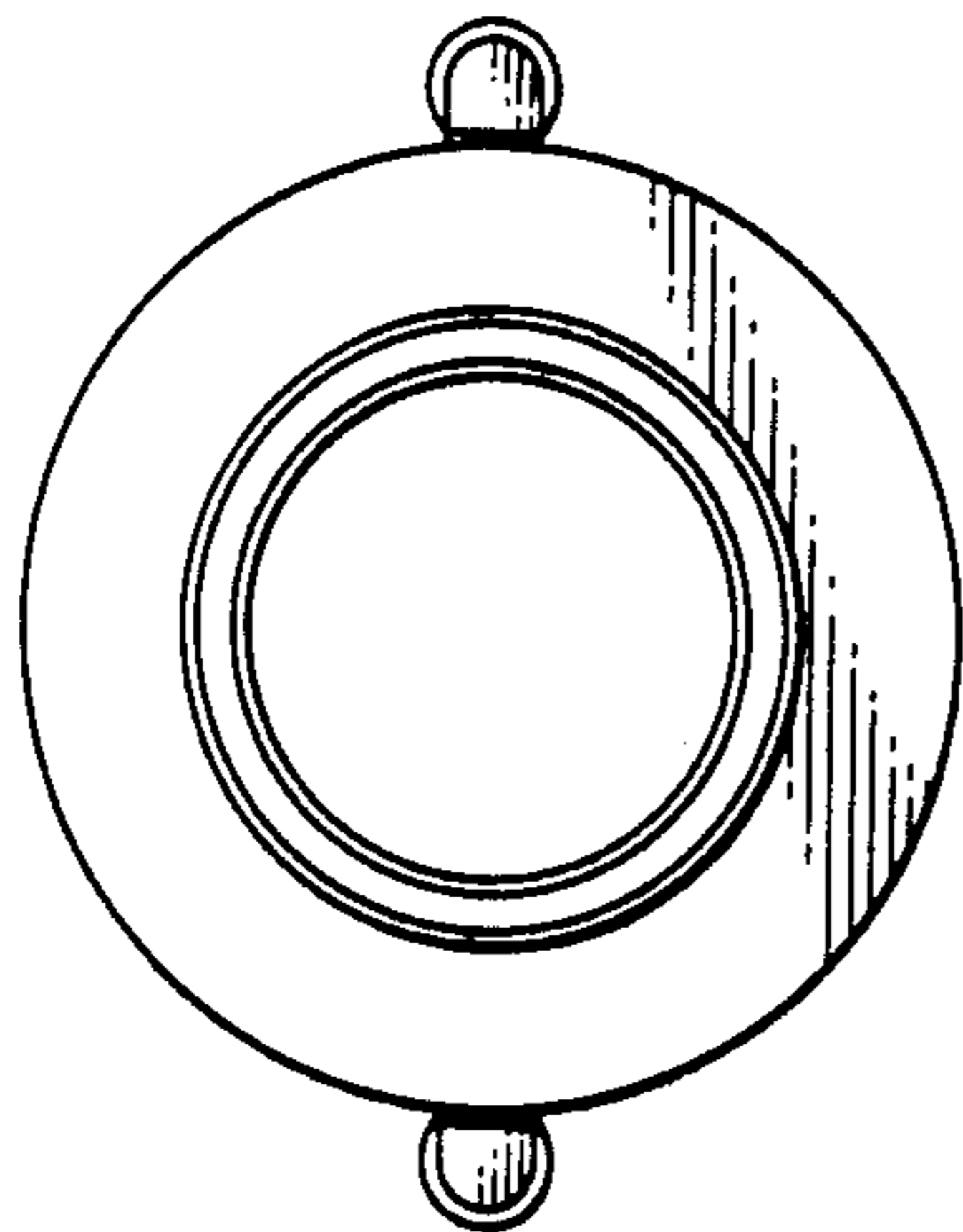


FIG. 3.

