

[54] PORTABLE EDITING DESK

[76] Inventor: Irving N. Rothman, 8811 S. Rice Ave., Houston, Tex. 77096

[\*\*] Term: 14 Years

[21] Appl. No.: 694,371

[22] Filed: Jun. 9, 1976

[51] Int. Cl. .... D6-04

[52] U.S. Cl. .... D6/189; D6/85; D6/130; D6/138; D6/157; D6/173; D6/175; D6/184; D6/186; D19/52; D19/92

[58] Field of Search ..... D19/35, 65, 75, 92; D6/188, 189, 179, 85, 138, 157, 173, 175, 184, 186; 108/60, 61, 93, 96, 143, 137; 312/210

[56] References Cited

U.S. PATENT DOCUMENTS

D. 194,517	2/1963	Banks .....	D19/52
D. 215,943	11/1969	Grainer .....	D6/173
D. 220,702	5/1971	Sweet .....	D6/186
D. 224,497	8/1972	Lauer .....	D6/189

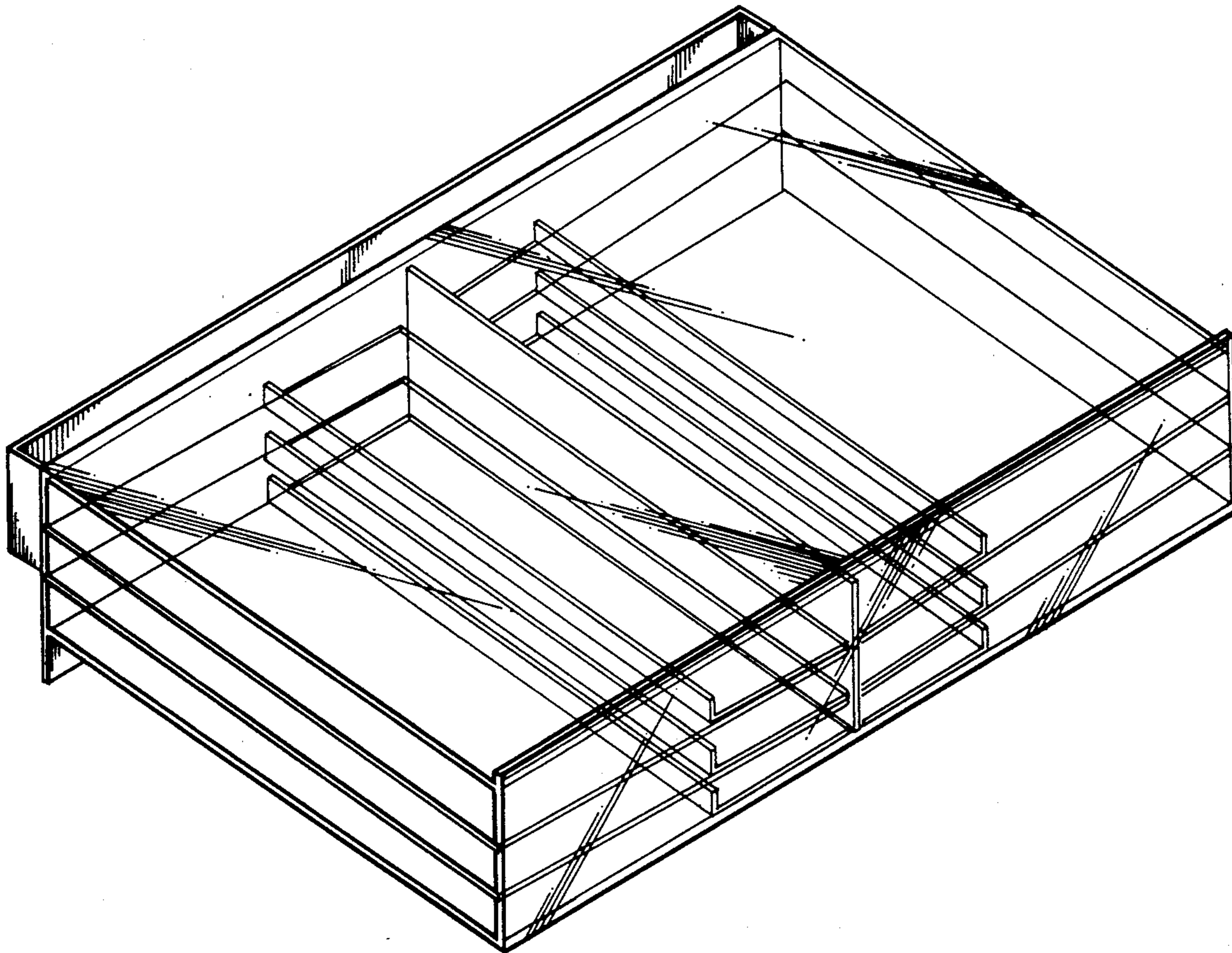
Primary Examiner—Joel Stearman  
Assistant Examiner—George P. Word

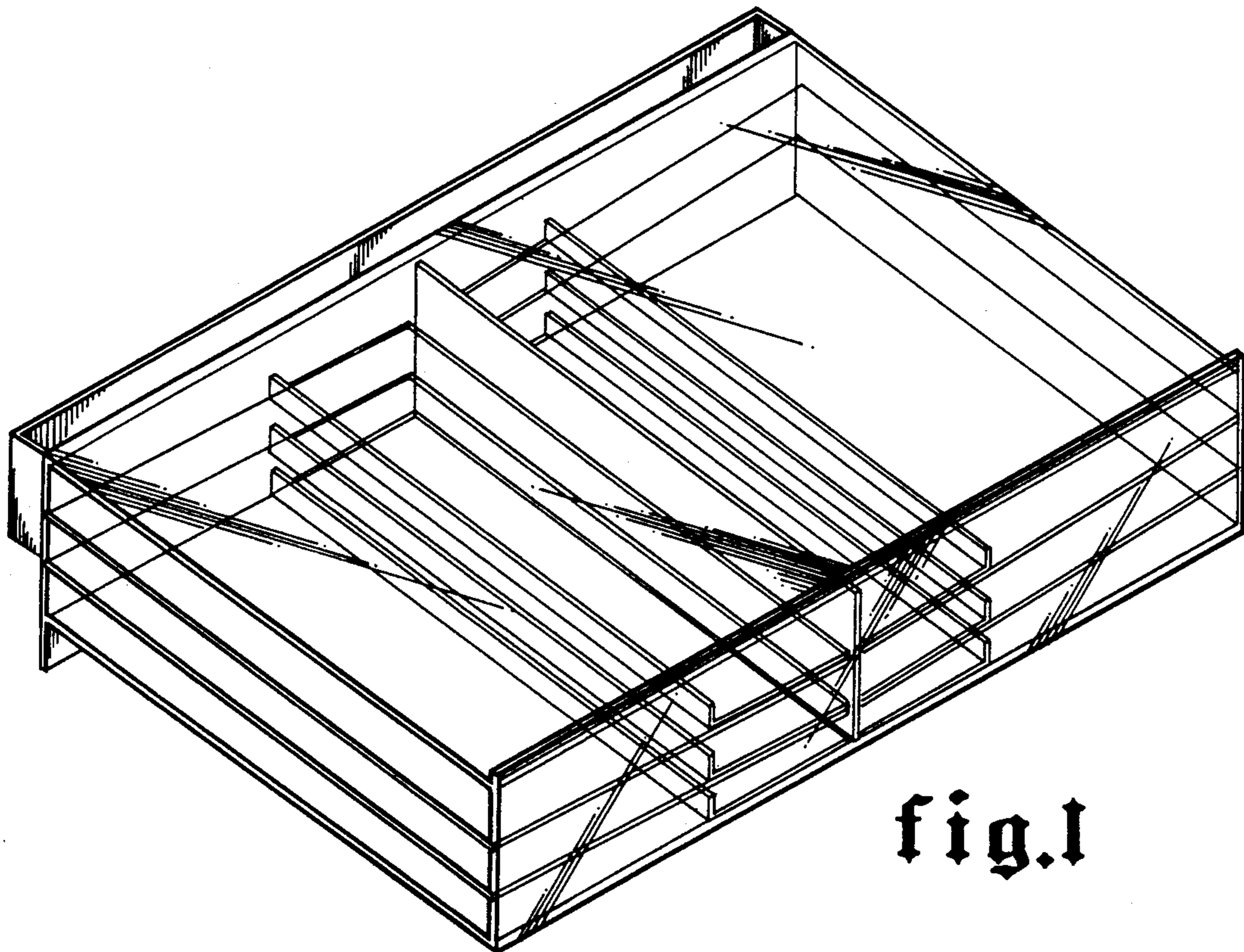
[57] CLAIM

The ornamental design for a portable editing desk, as shown and described.

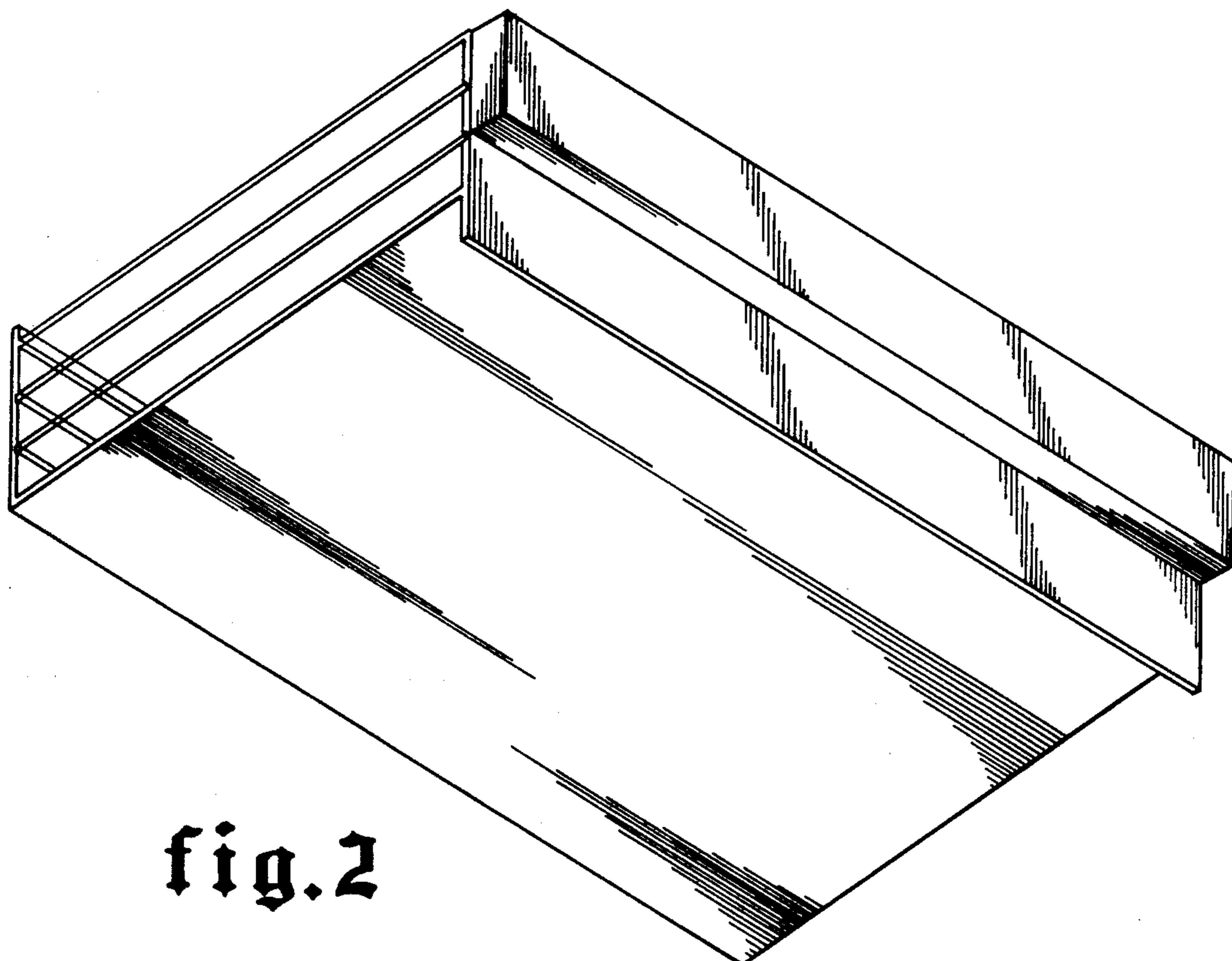
DESCRIPTION

FIG. 1 is a perspective view of a portable editing desk showing my new design; and FIG. 2 is a bottom rear perspective view thereof.





**fig.1**



**fig.2**