

[54] TABLE

[75] Inventor: Nicholas A. Ungaro, Louisville, Ky.

[73] Assignee: Peters-Revington Corporation, Delphi, Ind.

[**] Term: 14 Years

[21] Appl. No.: 739,754

[22] Filed: Nov. 8, 1976

[51] Int. Cl. D6-03

[52] U.S. Cl. D6/177

[58] Field of Search D6/177, 27, 178, 179, D6/175, 158, 159, 167

[56] References Cited
PUBLICATIONS

House Beautiful, Oct. 1974, p. 120, Credenza top center. "Brandywine" by Thomasville, Table No. 6405-1. "Sprague & Carleton" by Patriot Pine, 1973 Edition, p. 3, Table No. 21-0210.

Primary Examiner—Bruce W. Dunkins
Attorney, Agent, or Firm—Joseph P. Flanagan

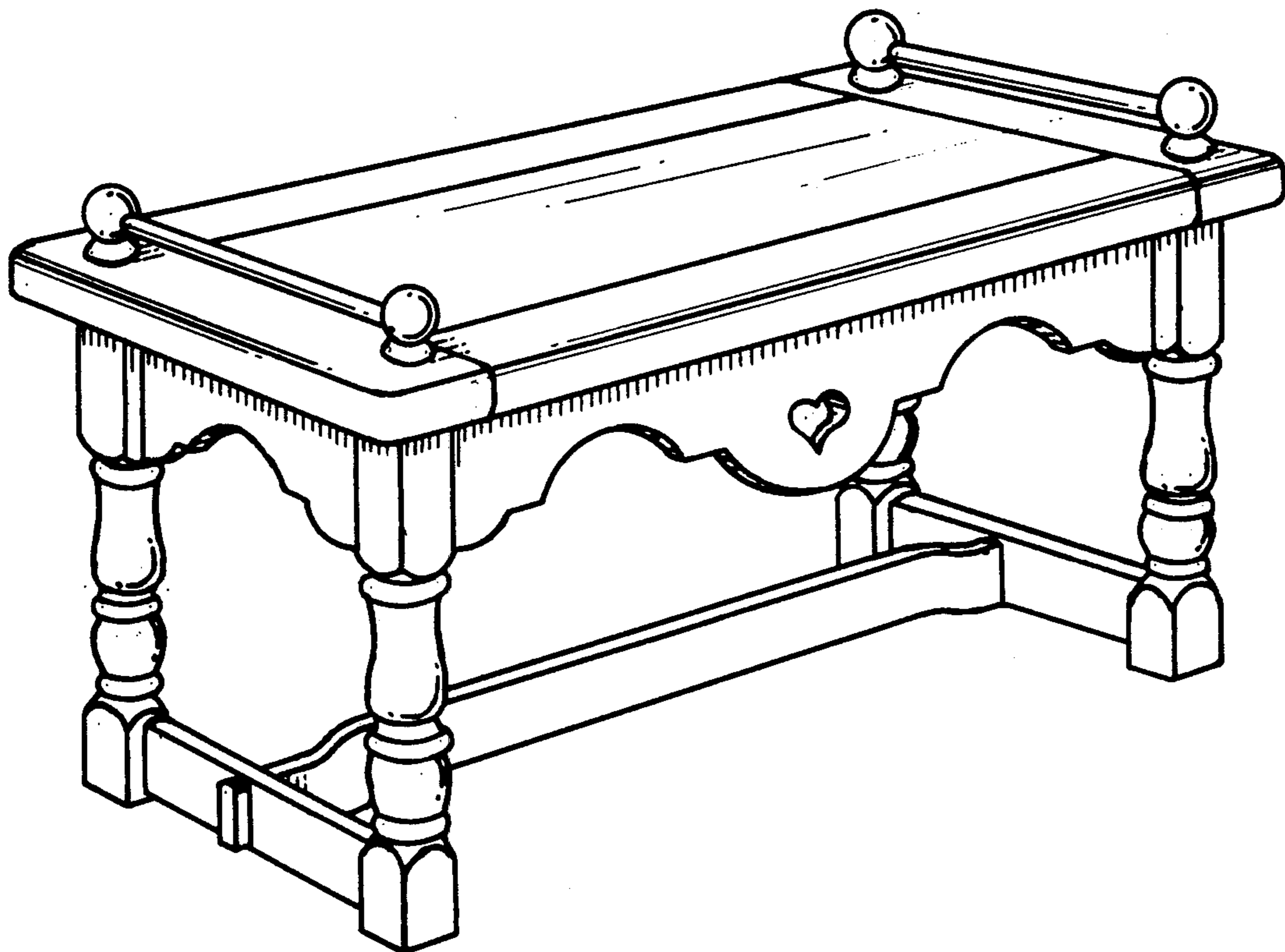
[57] CLAIM

The ornamental design for a table, as shown and described.

DESCRIPTION

The FIGURE is a perspective view of a table illustrating my new design.

The end of the table not shown is a mirror image of the end shown while the side of the table not shown is a mirror image of the side shown.



U.S. Patent

Sept. 5, 1978

Des. 249,213

