

[54] **DESK**

[76] **Inventor:** **Hilton A. Gill, 2809 S. 11th St., Sheboygan, Wis. 53081**

[**] **Term:** **14 Years**

[21] **Appl. No.:** **755,786**

[22] **Filed:** **Dec. 30, 1976**

[51] **Int. Cl. D6—04**

[52] **U.S. Cl. D6/161**

[58] **Field of Search D6/150, 151, 156, 158-174**

[56] **References Cited**

U.S. PATENT DOCUMENTS

D. 216,597 2/1970 Wallach D6/161

OTHER PUBLICATIONS

Domus Catalog, Nov. 1969, p. 34, table at center.
Domus Catalog, Nov. 1969, p. 37, table upper left.
Interiors, 12-1973, p. 17, Desk by Gunlocke.

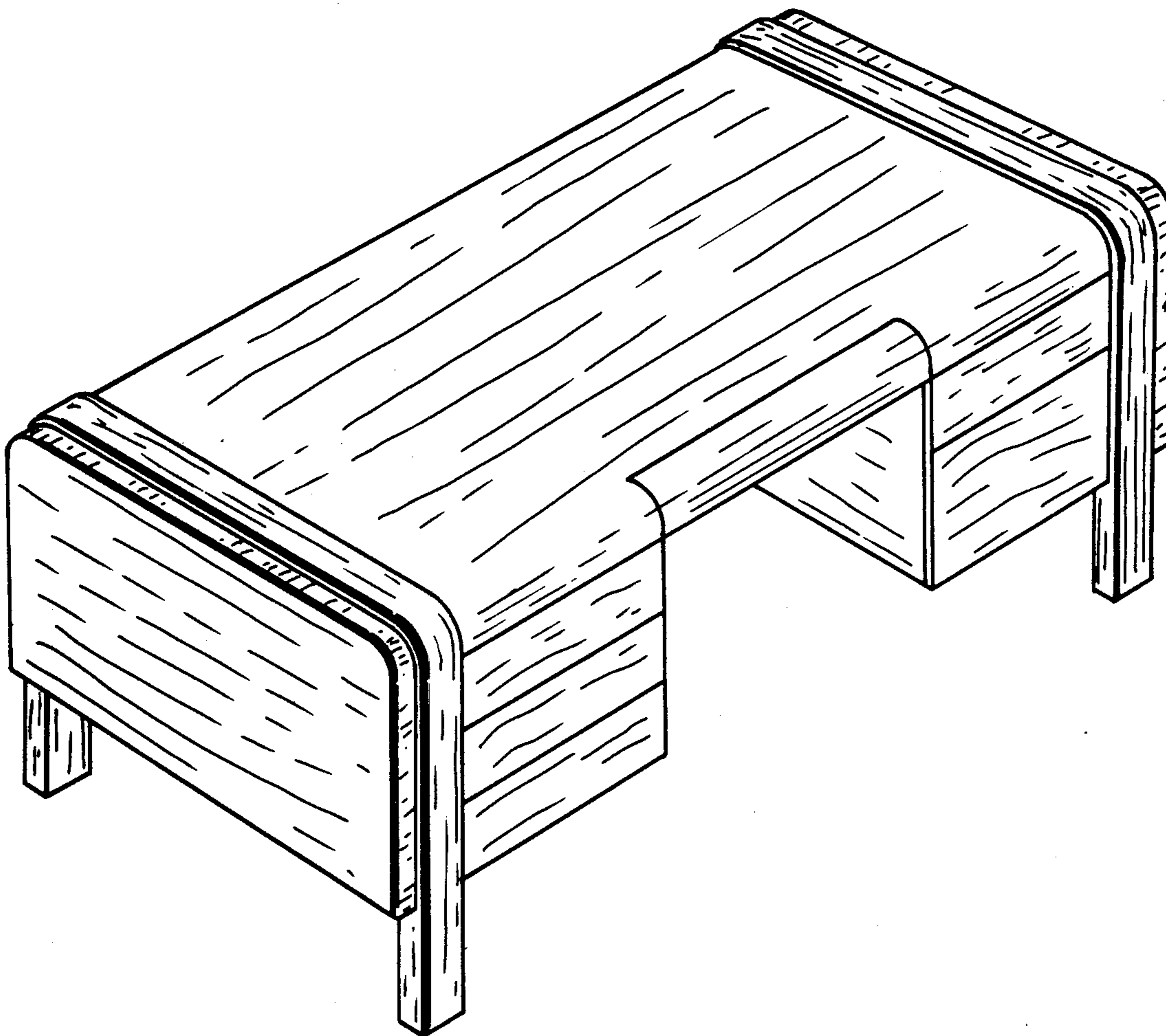
Primary Examiner—Bruce W. Dunkins
Attorney, Agent, or Firm—James R. Cwayna

[57] **CLAIM**

The ornamental design for a desk, as shown and described.

DESCRIPTION

FIG. 1 is a perspective view of a desk embodying the concept's of my invention;
FIG. 2 is a top plan view thereof;
FIG. 3 is a rear elevation thereof;
FIG. 4 is an elevation taken from one end thereof, the other end being identical thereto;
FIG. 5 is a front elevation thereof; and,
FIG. 6 is a bottom plan view thereof.



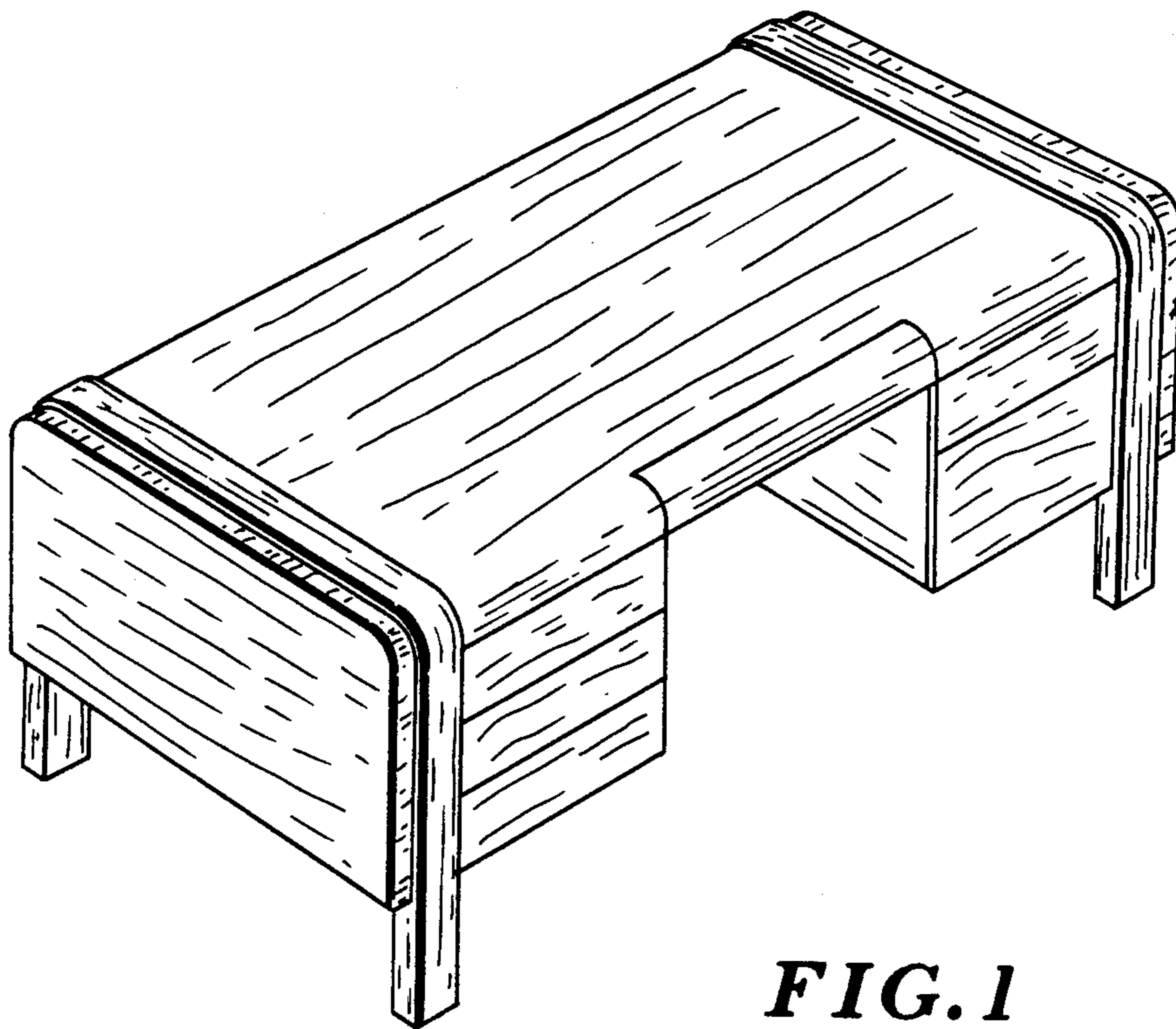


FIG. 1

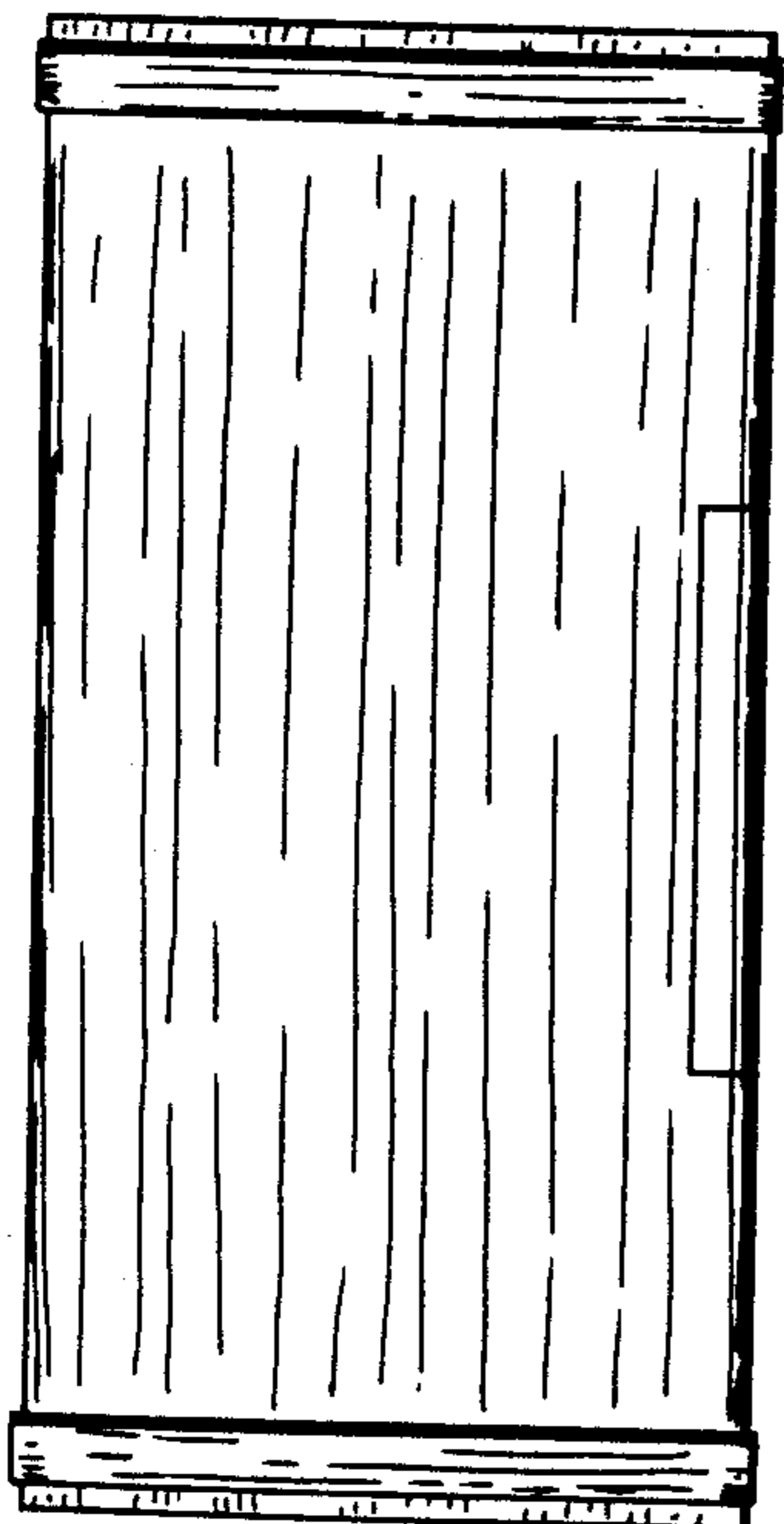


FIG. 2

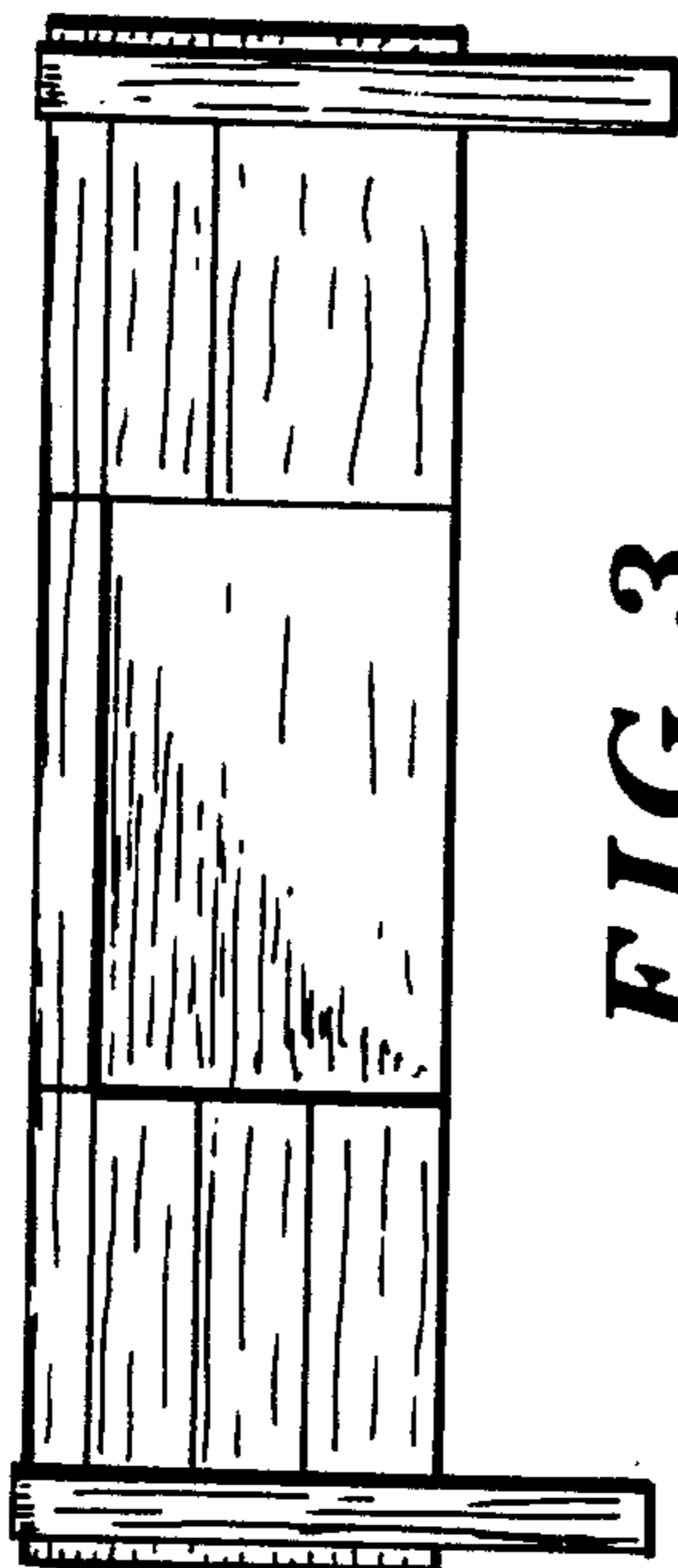


FIG. 3



FIG. 4

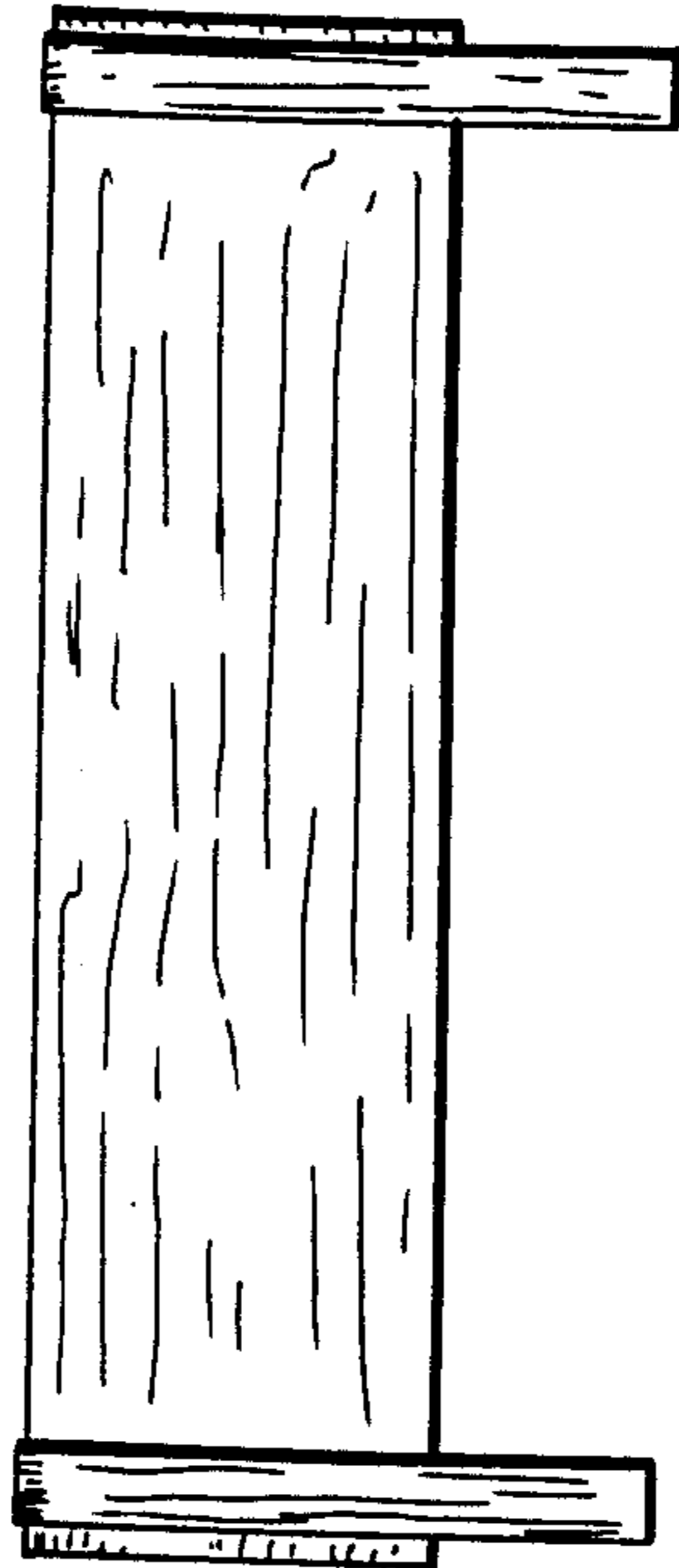


FIG. 5

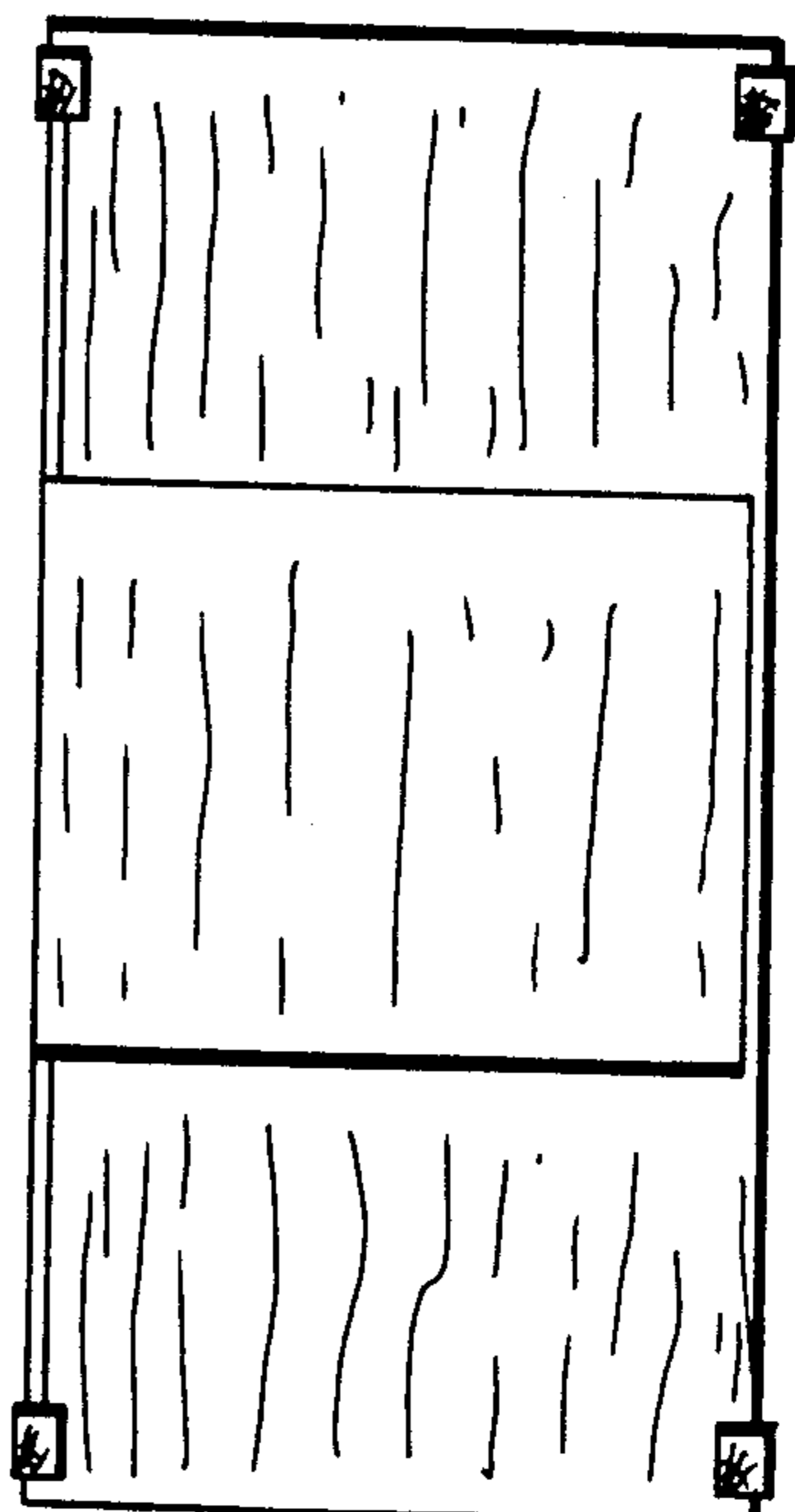


FIG. 6