

[54] **CHAIR**

[76] **Inventor:** Ernest Newell Spencer, 8625
Lakeview Dr., Orchard Beach,
Lexington, Mich. 48450

[**] **Term:** 14 Years

[21] **Appl. No.:** 772,776

[22] **Filed:** Feb. 28, 1977

[51] **Int. Cl.** D6—01

[52] **U.S. Cl.** D6/55; D6/65;
D6/66; D6/75

[58] **Field of Search** D6/20, 26, 29, 30, 31,
D6/32, 36, 47-78

[56]

References Cited

U.S. PATENT DOCUMENTS

D. 62,102	3/1923	Gillam	D6/55
D. 97,846	12/1935	Ely	D6/55
D. 164,619	9/1951	Bargen	D6/65
D. 207,102	3/1967	Hennessey	D6/30 X
D. 209,197	11/1967	Chamness	D6/30
D. 228,536	10/1936	Sottsass, Jr.	D6/30
D. 247,034	1/1978	Brodmann	D6/29 X

Primary Examiner—Bruce W. Dunkins

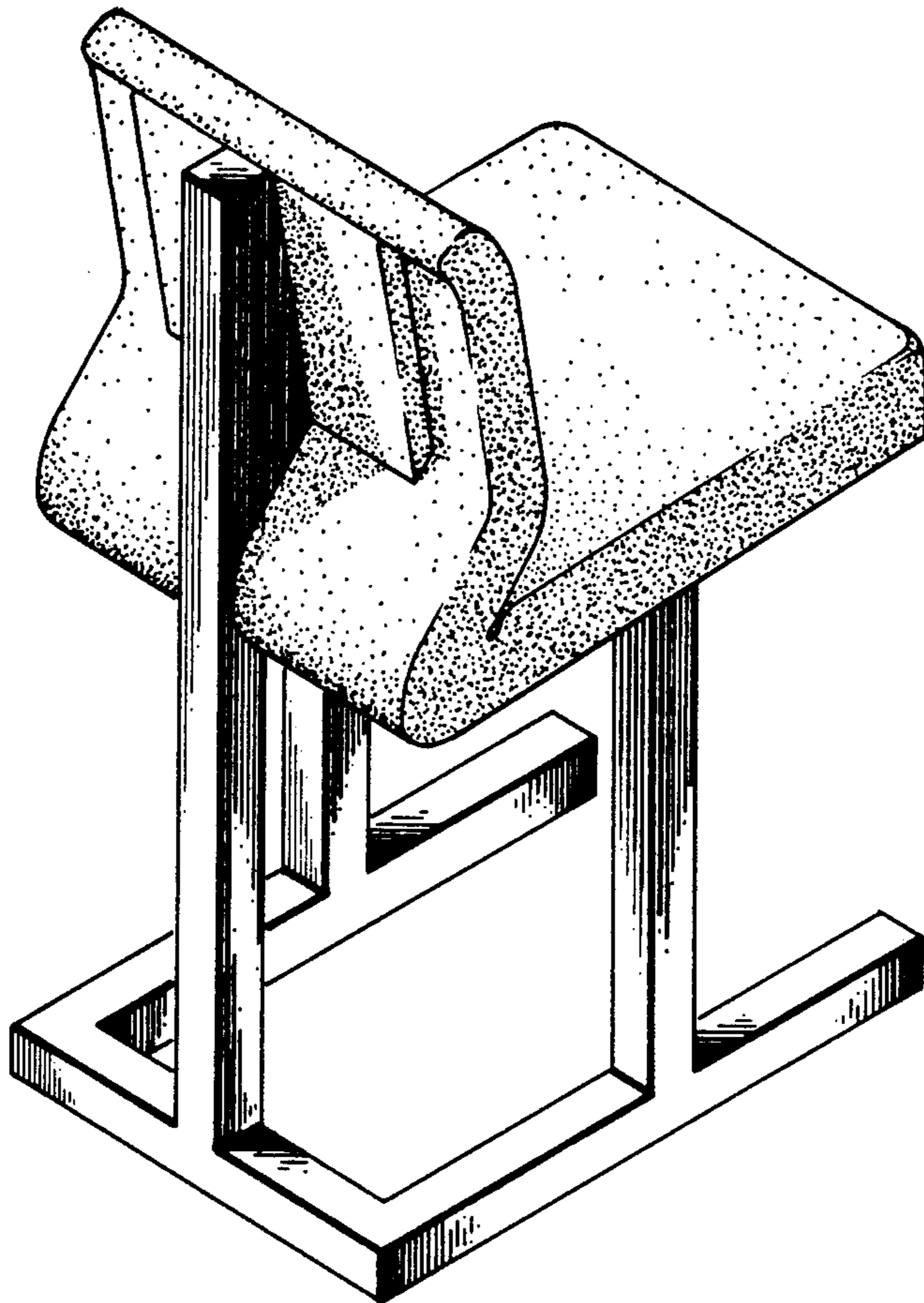
[57]

CLAIM

The ornamental design for a chair, as shown.

DESCRIPTION

FIG. 1 is a rear perspective view of a chair showing my new design; and
FIG. 2 is a front perspective view thereof on a reduced scale.



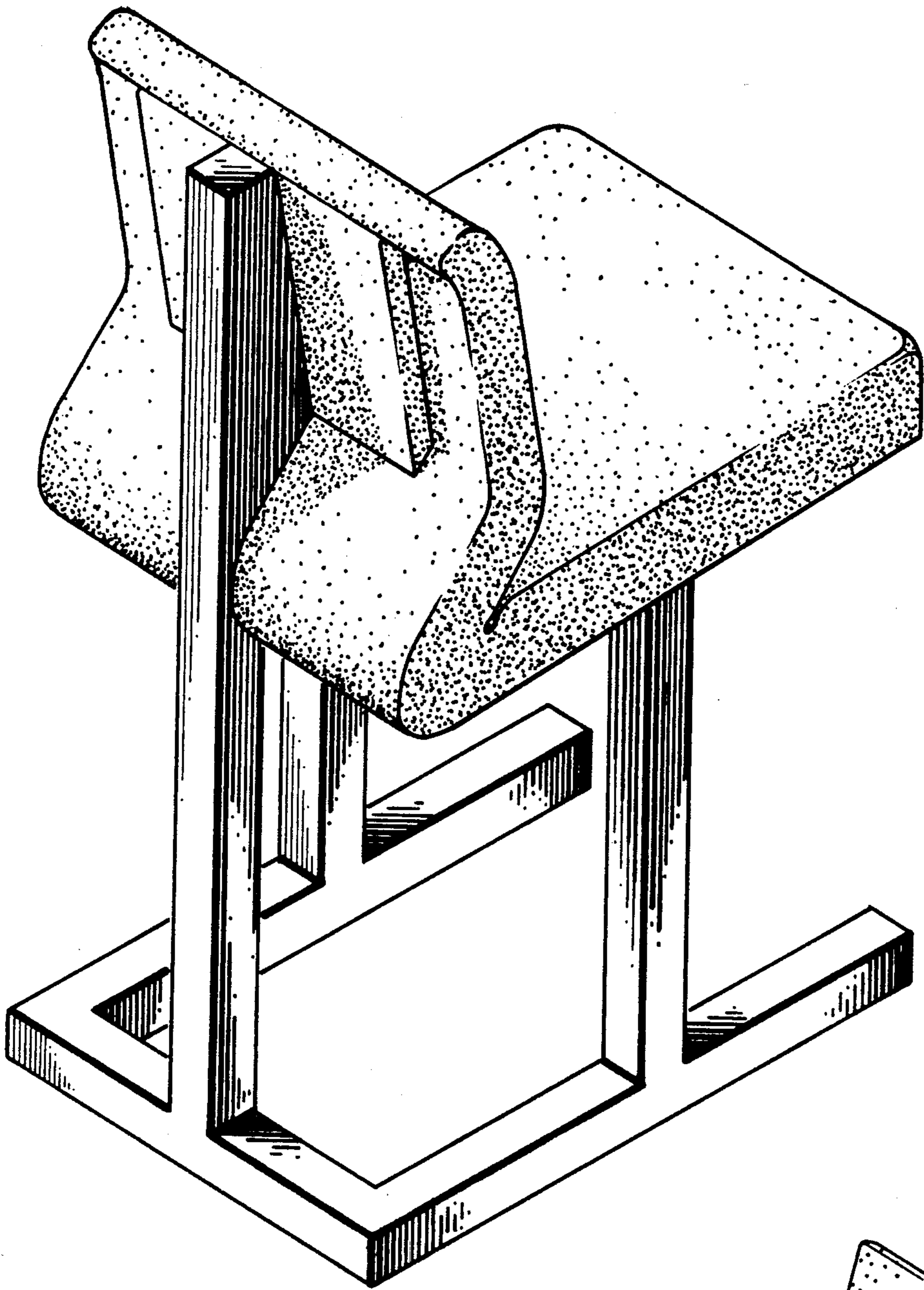


FIG. 1

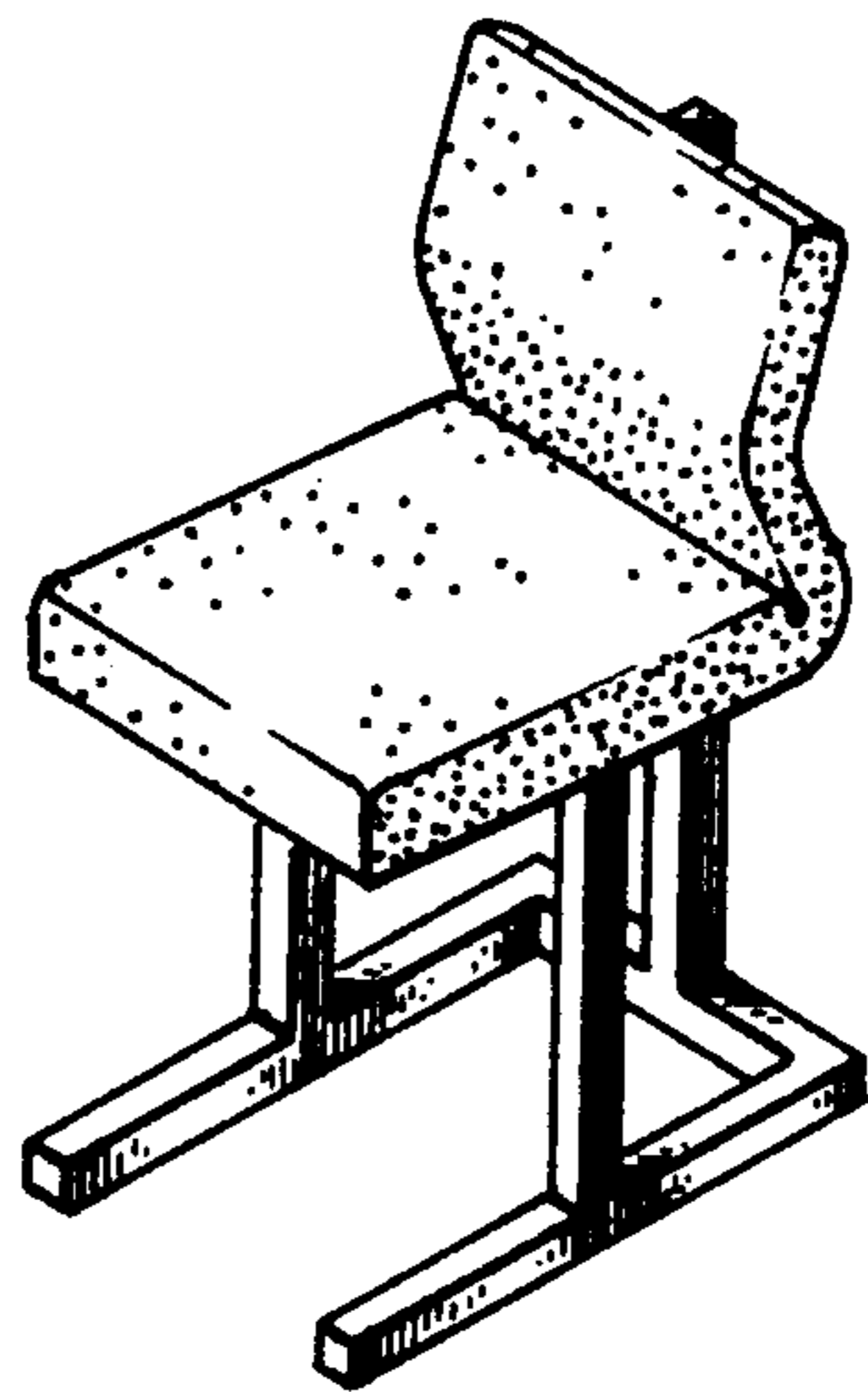


FIG. 2