

[54] BLOOD DONOR LOUNGE

[75] Inventors: Robert T. Schwartz, Takoma Park, Md.; Marc S. Harrison, Foster, R.I.

[73] Assignee: American National Red Cross

[**] Term: 14 Years

[21] Appl. No.: 739,841

[22] Filed: Nov. 9, 1976

[51] Int. Cl. D6-01

[52] U.S. Cl. D6/38; D6/58; D6/76; D6/79

[58] Field of Search D6/37, 38, 39, 47, 52, D6/22, 64, 66, 70, 76, 79, 81; D24/3, 6; 5/64, 66, 67, 68, 110, 111, 116

[56] References Cited

U.S. PATENT DOCUMENTS

D. 123,816	12/1940	Moeller	D6/79
D. 187,513	3/1960	Seaman et al.	D6/79 X
D. 230,919	3/1974	Bretos	D6/38
2,938,572	5/1960	Solloway et al.	5/111 X
2,983,930	5/1961	Porritt	5/110

3,916,461 11/1975 Kerstholt 5/66

OTHER PUBLICATIONS

American Hospital Supply Corp., © 1955, p. 543, Stretcher No. F.

Primary Examiner—Bruce W. Dunkins
Attorney, Agent, or Firm—John Clarke Holman

[57] CLAIM

The ornamental design for a blood donor lounge, substantially as shown and described.

DESCRIPTION

FIG. 1 is a perspective view of a blood donor lounge showing our new design with both end sections in their flat position;

FIG. 2 is a side elevational view thereof;

FIG. 3 is a top plan view thereof;

FIG. 4 is an end elevational view thereof;

FIG. 5 is a perspective view of the blood donor lounge with one end section in its fully raised position; and

FIG. 6 is a perspective view of the blood donor lounge with one end section in its partially raised position.

The opposite side and end elevations are identical to those shown in FIGS. 2 and 4 respectively.

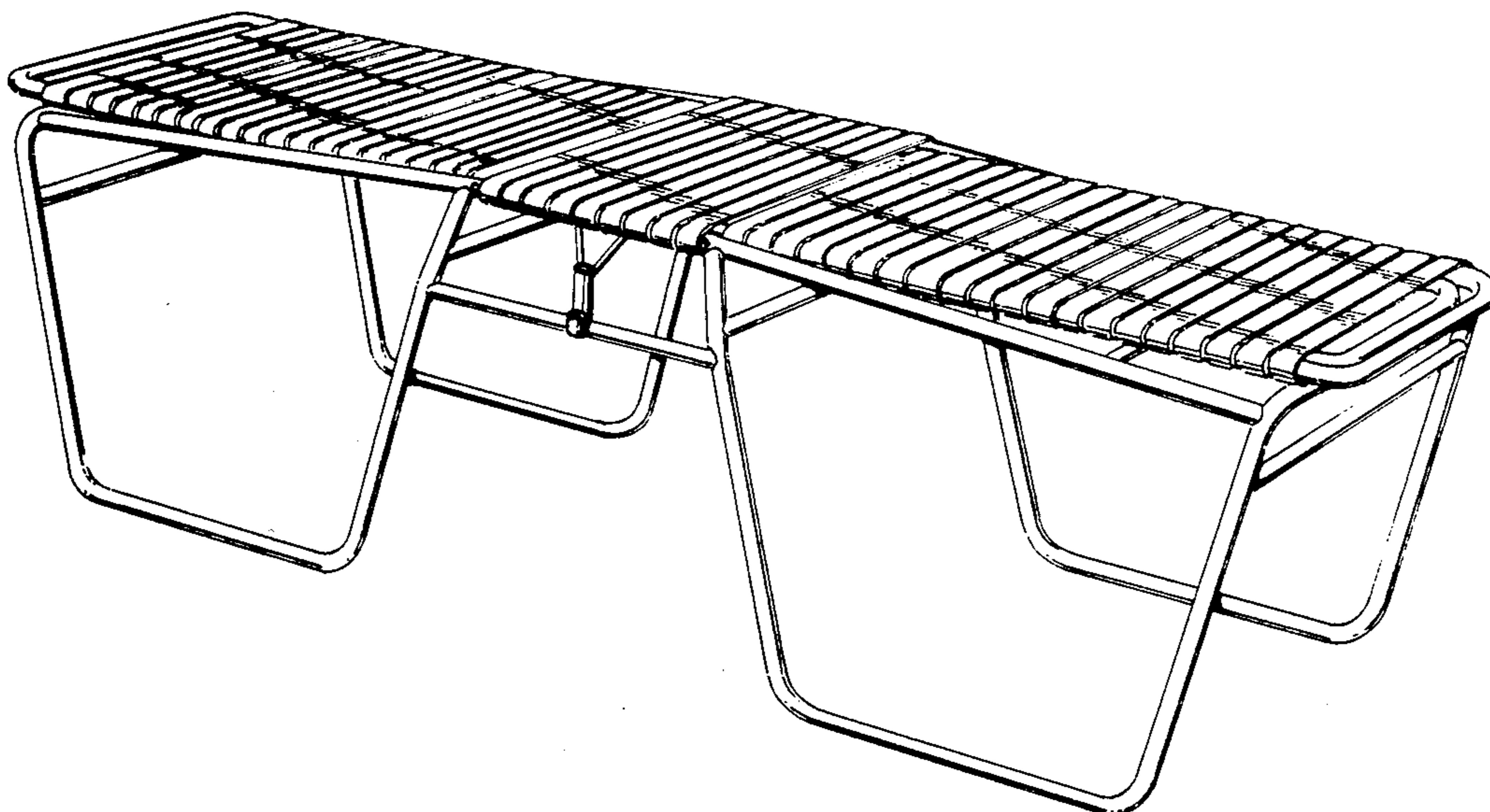


FIG. 1

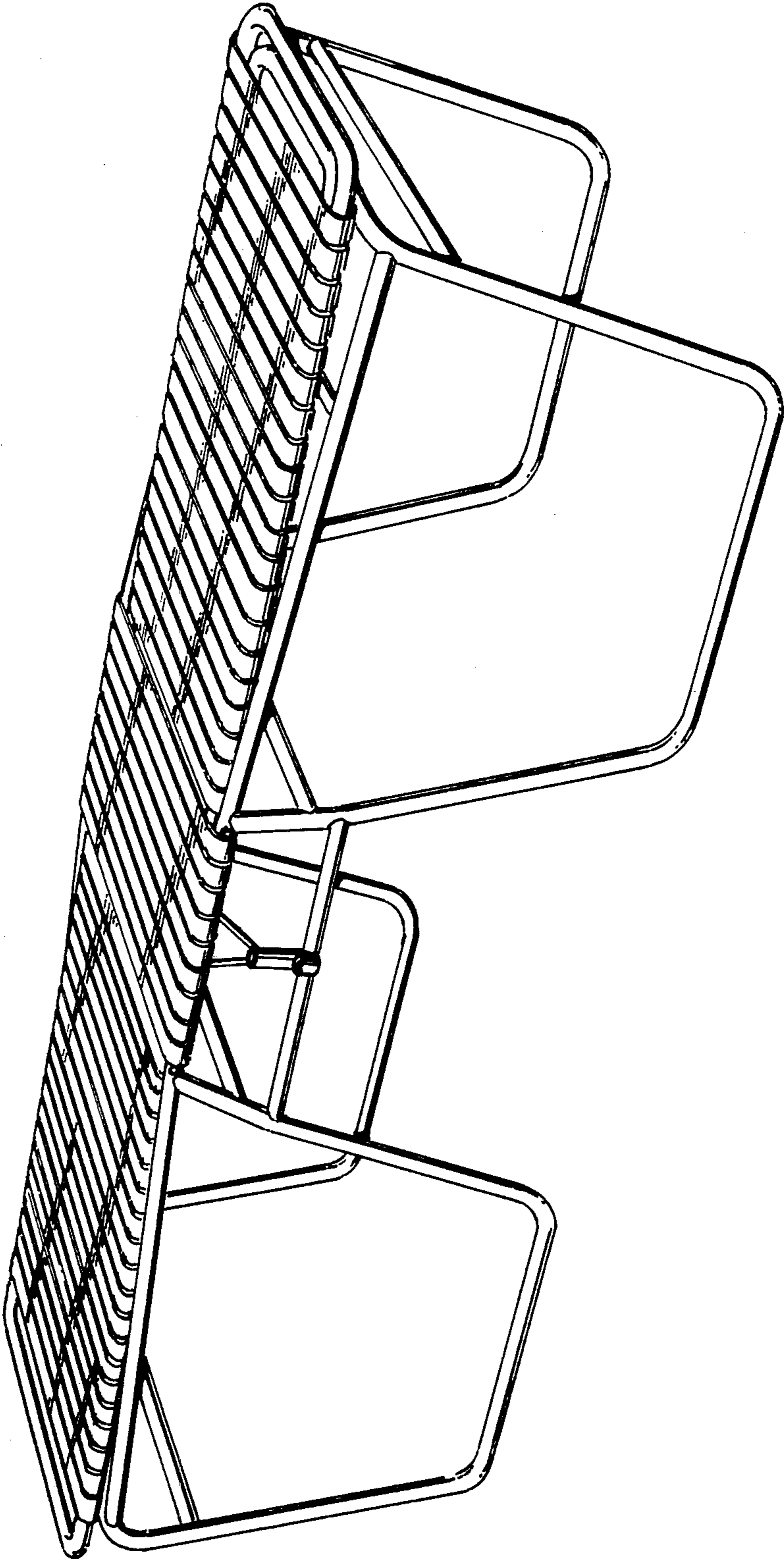


FIG. 3

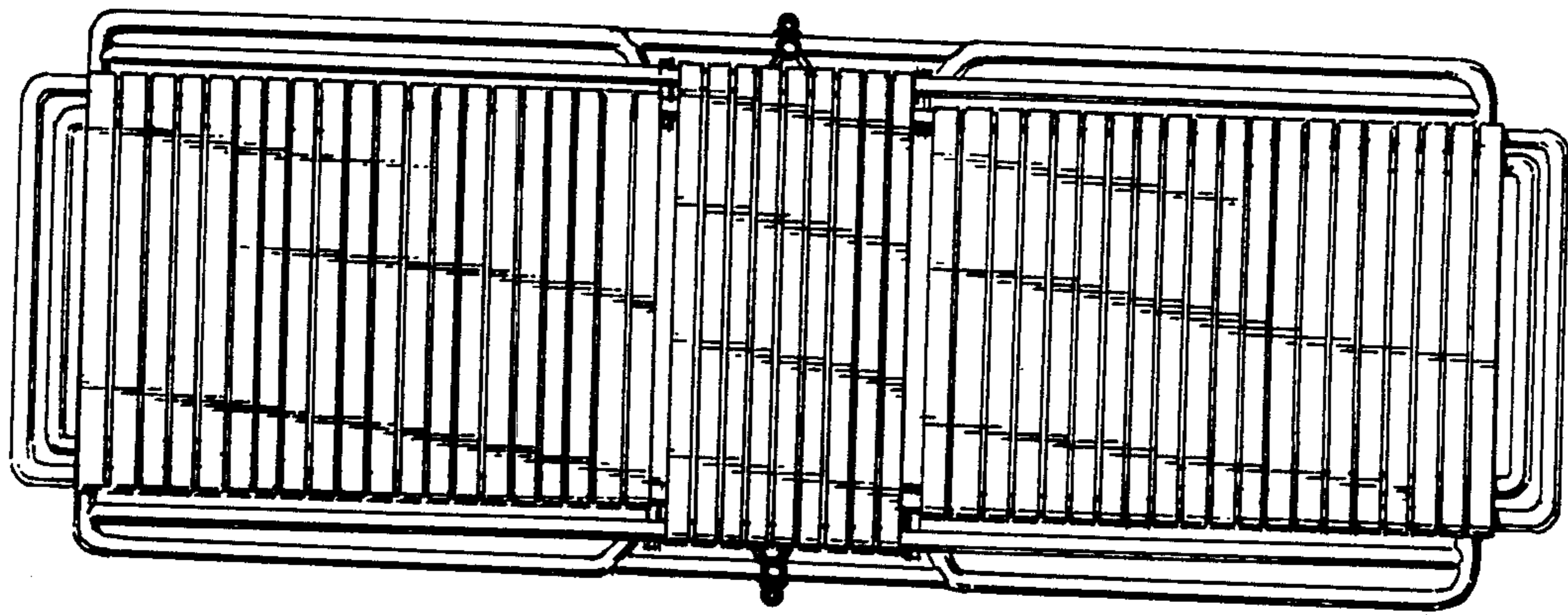


FIG. 2

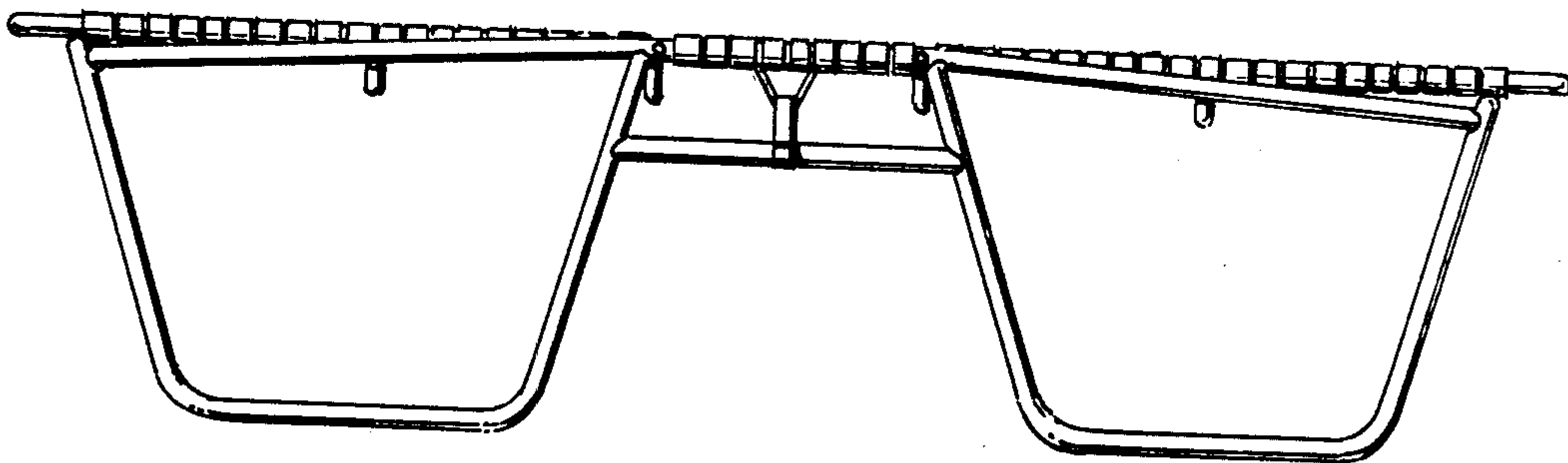


FIG. 4

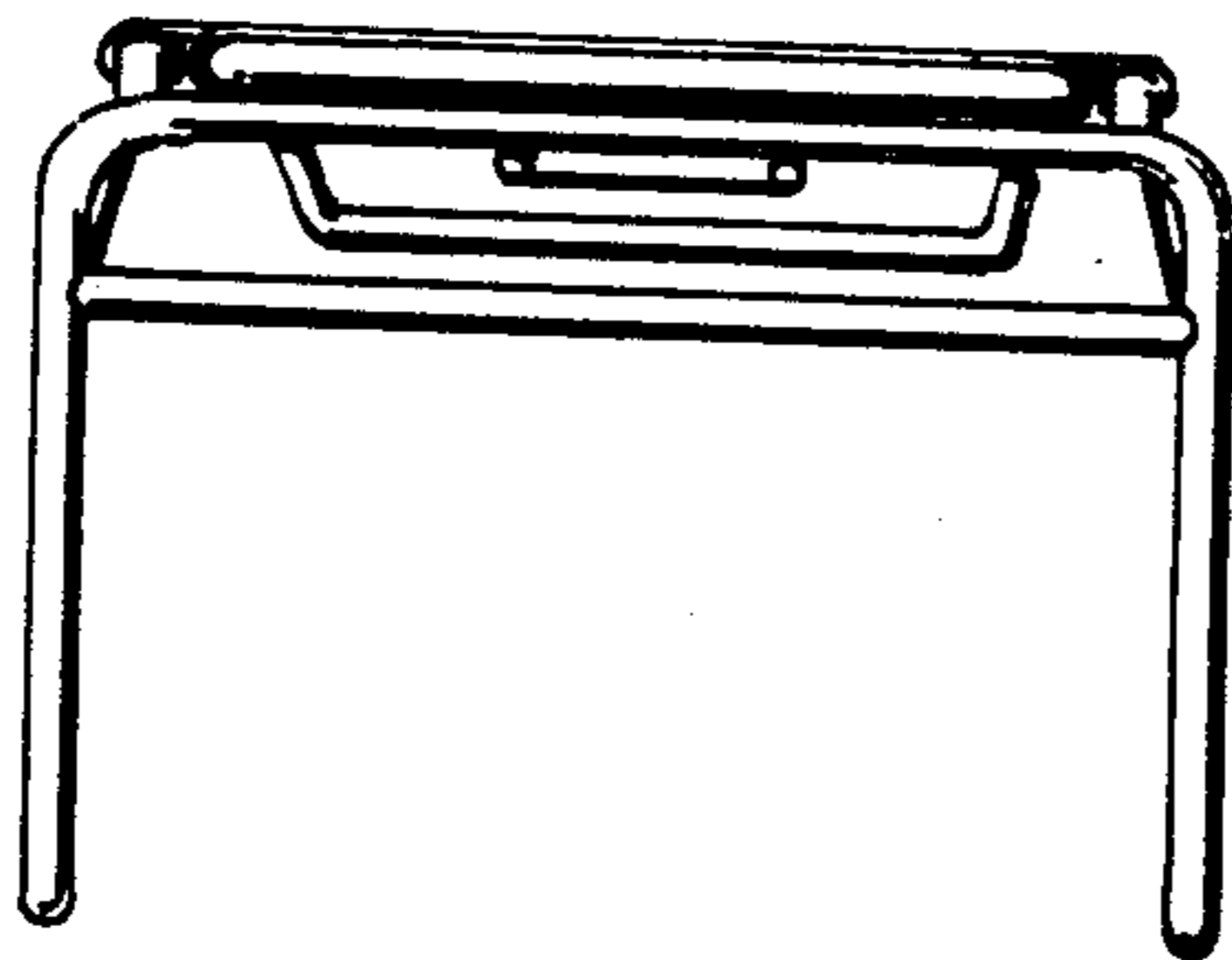


FIG. 5

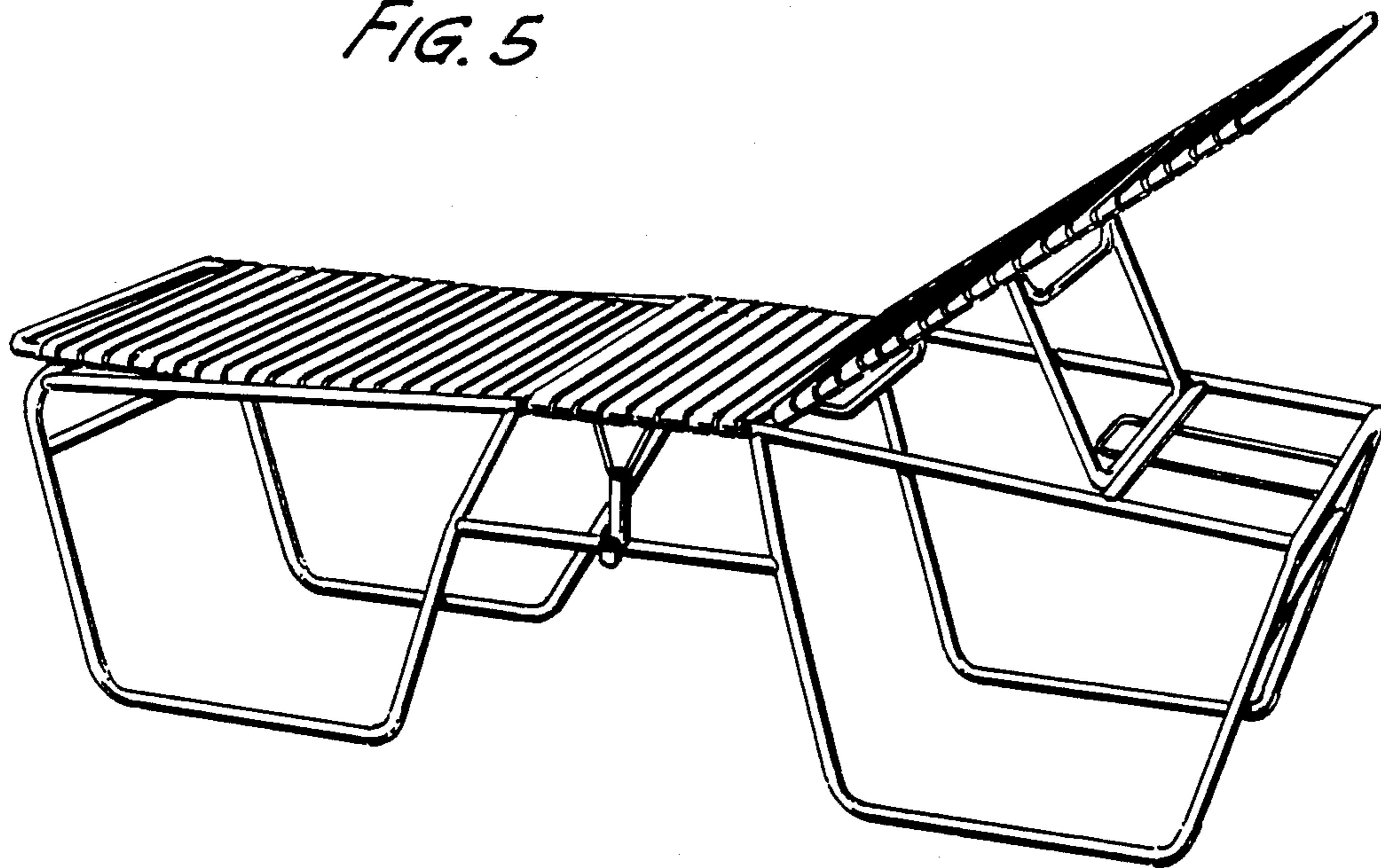


FIG. 6

