

[54] BACK PACK

[76] Inventor: Scott Stewart, c/o Stewart Designs, Inc., 901 Watson St., Madison, Wis. 53713

[\*\*] Term: 14 Years

[21] Appl. No.: 747,291

[22] Filed: Dec. 3, 1976

[51] Int. Cl. .... D3—01

[52] U.S. Cl. .... D87/5 R

[58] Field of Search ..... D87/1 R, 1 A, 5 R, 5 G;  
D7/163; 224/8 R, 8 A, 9-12

[56] References Cited

U.S. PATENT DOCUMENTS

2,390,673 12/1945 Wallace ..... 224/25 A

FOREIGN PATENT DOCUMENTS

167,038 4/1950 Fed. Rep. of Germany ..... 224/8 R  
1,165,816 3/1964 Fed. Rep. of Germany ..... 224/9  
1,356,348 2/1964 France ..... 224/8R

OTHER PUBLICATIONS

Best Co. Cat. 1975, p. 382, Item "L".

Primary Examiner—Joel Stearman

Assistant Examiner—George P. Word

Attorney, Agent, or Firm—Theodore J. Long

[57] CLAIM

The ornamental design for a back pack, as shown.

DESCRIPTION

FIG. 1 is a perspective view of a back pack showing my new design;

FIG. 2 is a rear elevational view;

FIG. 3 is a top plan view;

FIG. 4 is a right side elevational view; and

FIG. 5 is a bottom plan view.

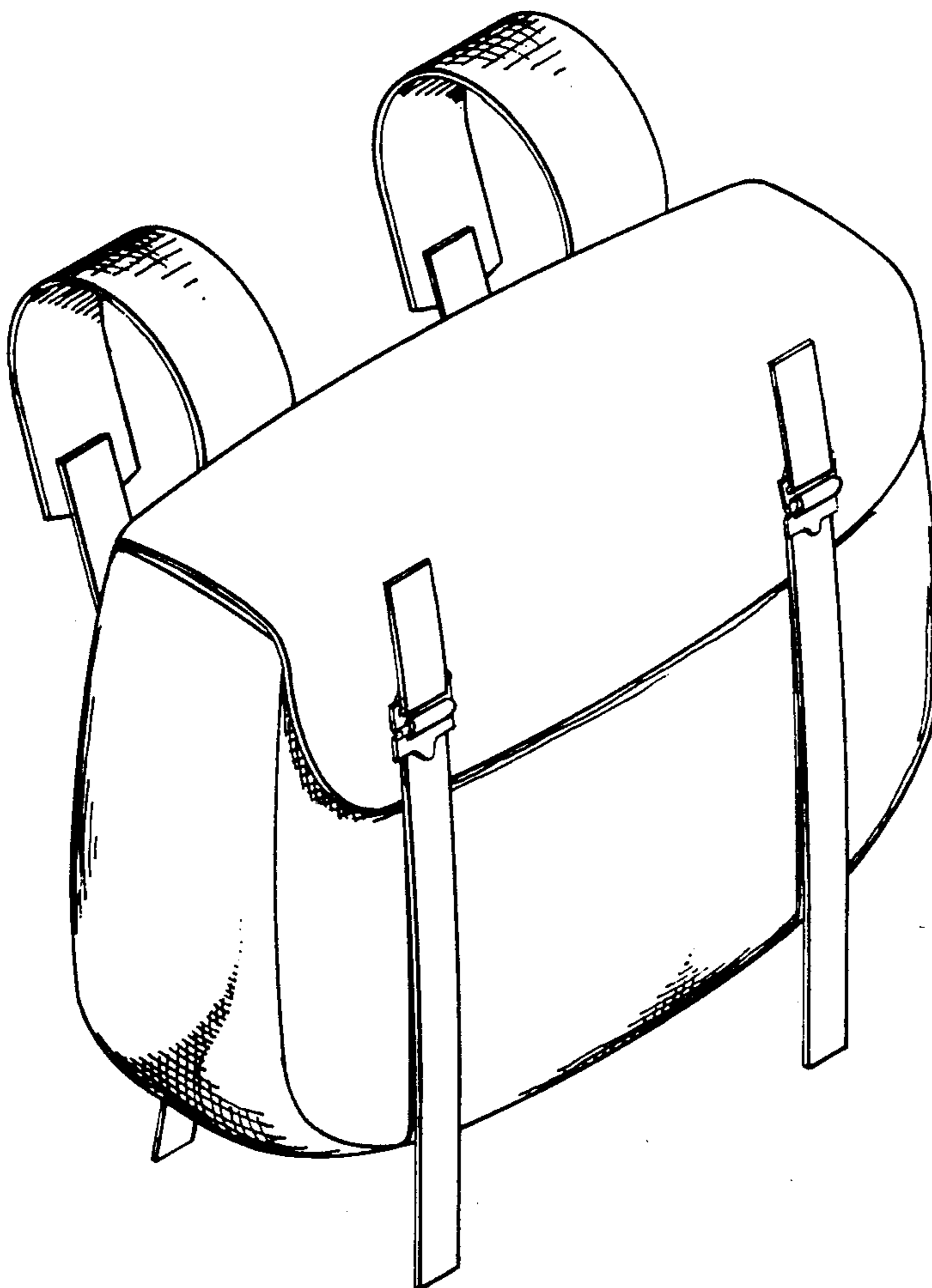


FIG. 1

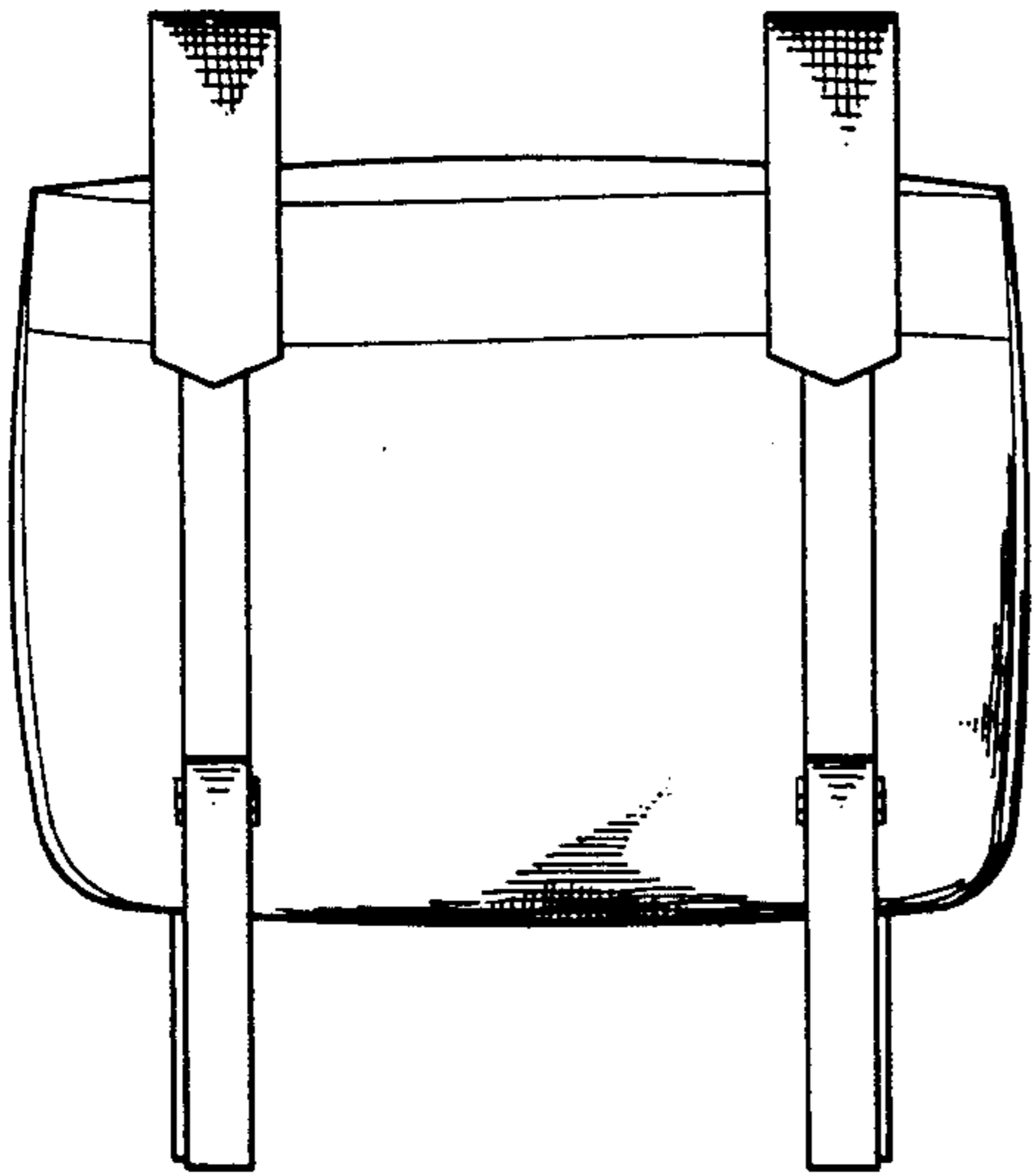
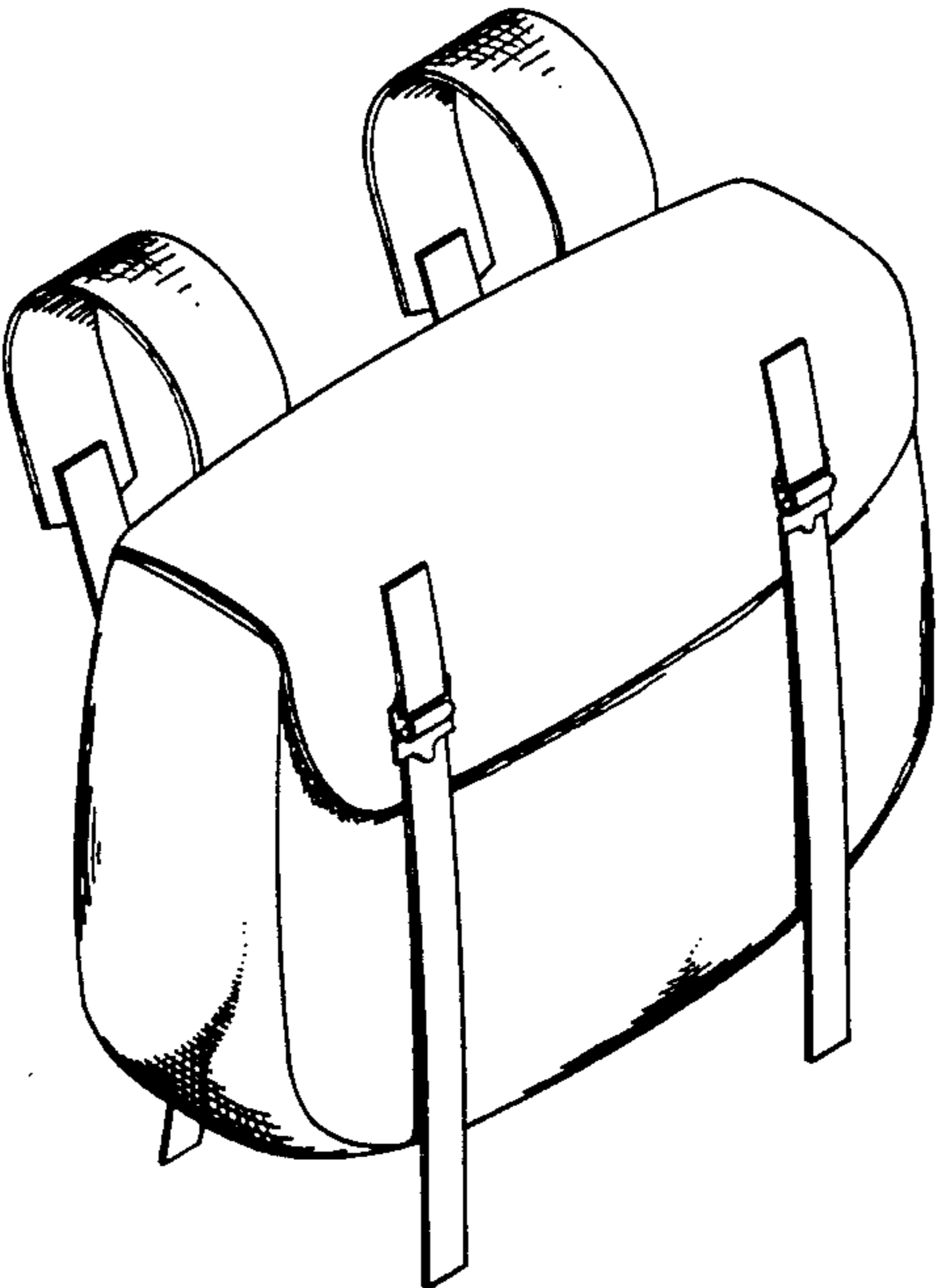


FIG. 2

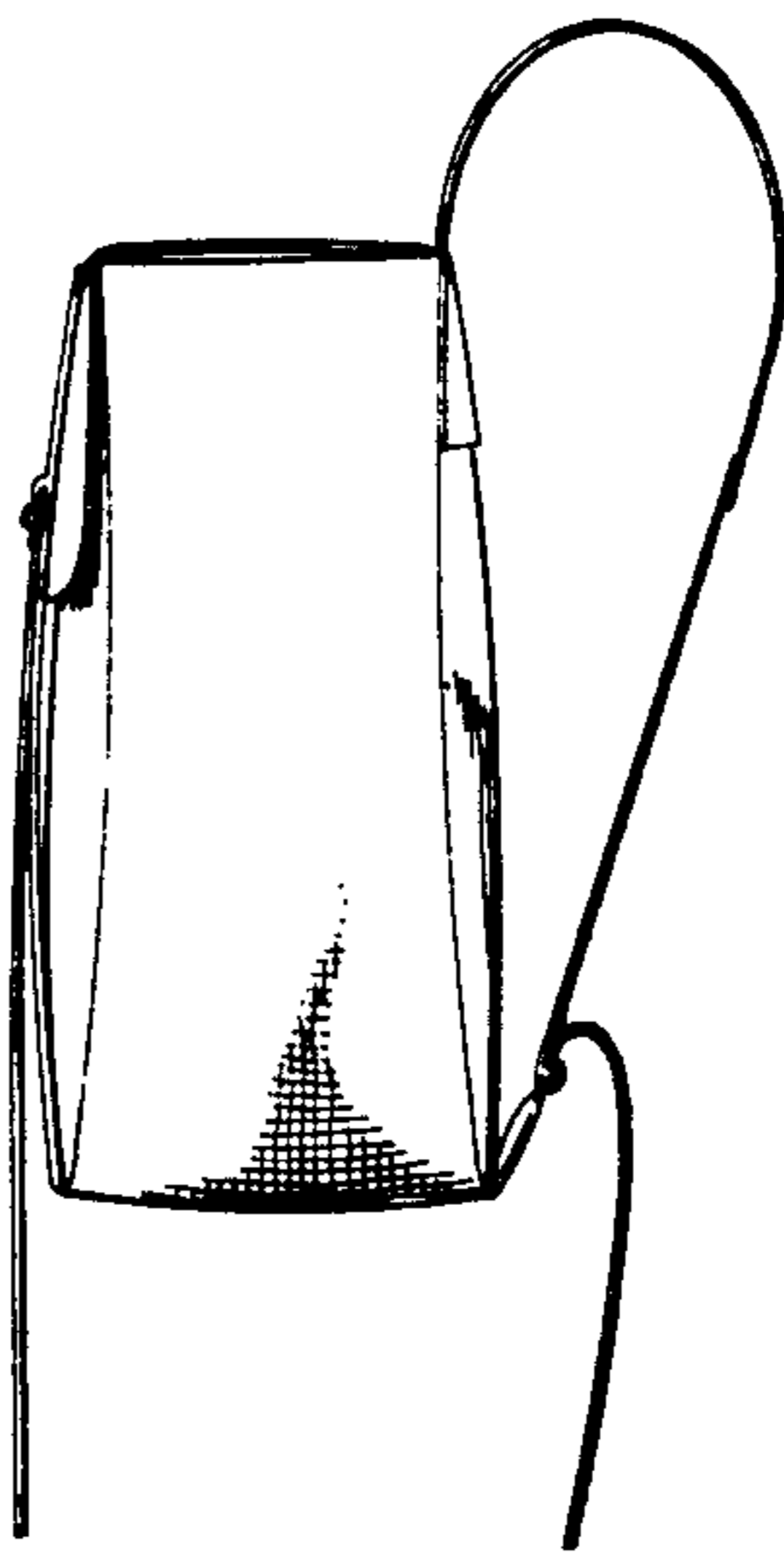


FIG. 4

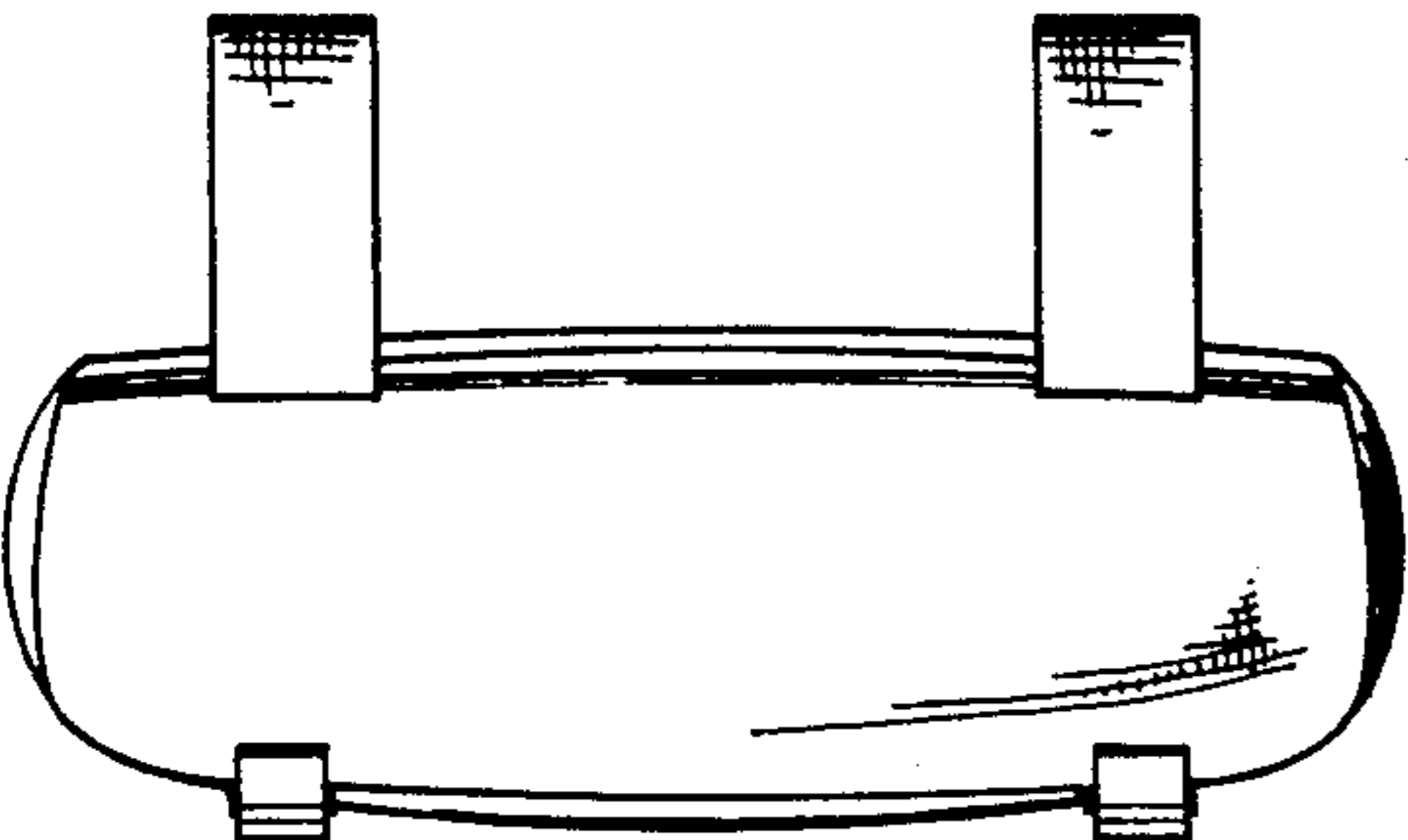


FIG. 3

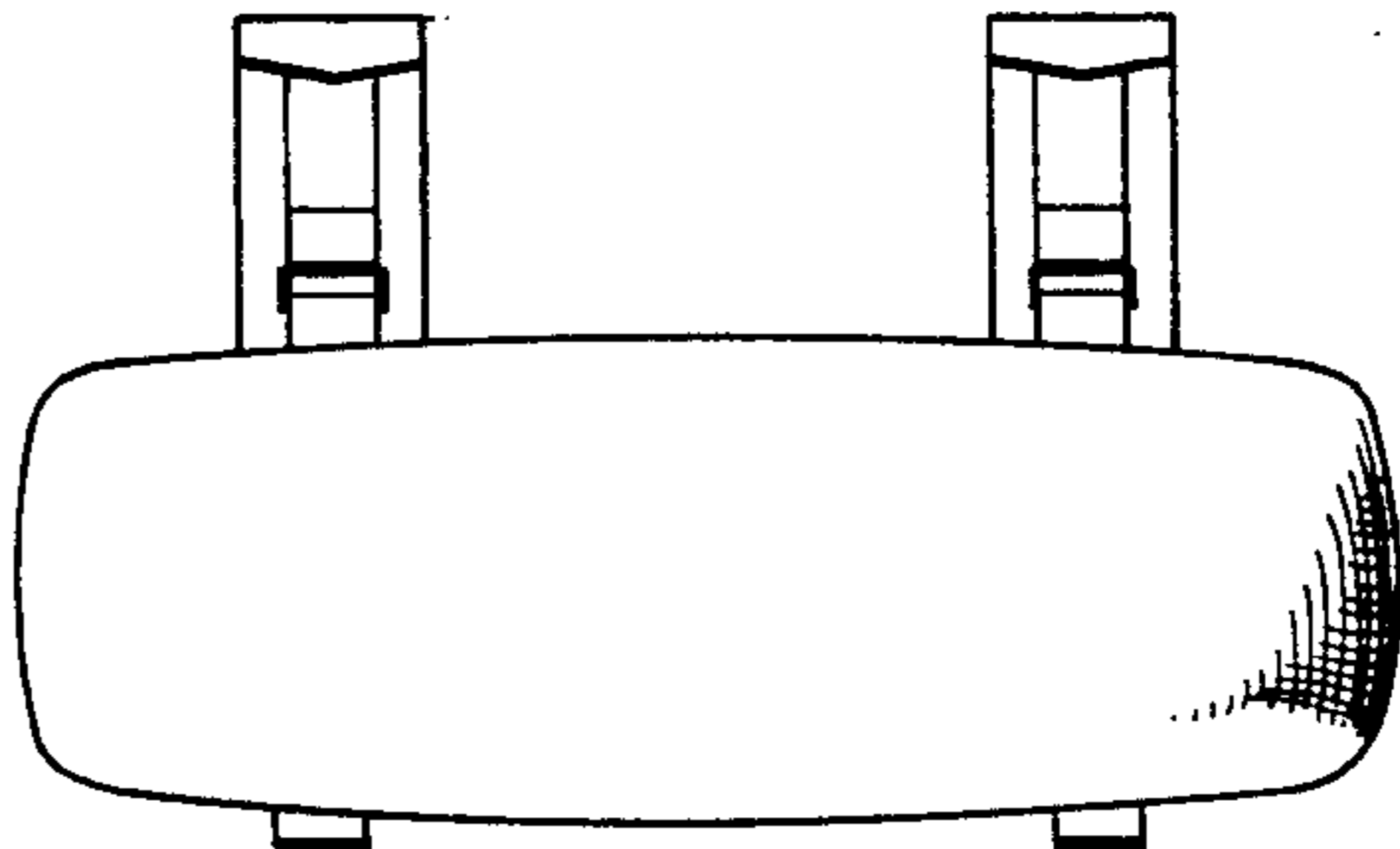


FIG. 5