

[54] BICYCLE LAMP

[75] Inventors: Werner Glasenapp; Jörg Glasenapp, both of Essen, Fed. Rep. of Germany

[73] Assignee: Union Sils, van de Loo & Co., Frondenberg, Fed. Rep. of Germany

[**] Term: 14 Years

[21] Appl. No.: 771,950

[22] Filed: Feb. 25, 1977

[30] Foreign Application Priority Data

Sep. 10, 1976 [DE] Fed. Rep. of Germany MR 82

[51] Int. Cl. D26-03; D26-06

[52] U.S. Cl. D48/24 A; D48/32 R

[58] Field of Search 240/7.1 R, 8.55, 7.6; D48/32 R, 24 A; D10/114; 340/84, 87

[56] References Cited

U.S. PATENT DOCUMENTS

D. 198,149 5/1964 Shiga D48/32 R X

FOREIGN PATENT DOCUMENTS

1,257,746 2/1961 France 240/7.1 R
1,274,613 9/1961 France 240/7.1 R
2,122,497 11/1971 Fed. Rep. of Germany 240/7.55

Primary Examiner—Susan J. Lucas
Attorney, Agent, or Firm—Max Fogiel

[57] CLAIM

The ornamental design for a bicycle lamp, as shown and described.

DESCRIPTION

FIG. 1 is a top view of the bicycle lamp, in accordance with the present invention;
FIG. 2 is a side view of the bicycle lamp;
FIG. 3 is a front view of the bicycle lamp;
FIG. 4 is a rear view of the bicycle lamp; and
FIG. 5 is a view of the bottom of the bicycle lamp.

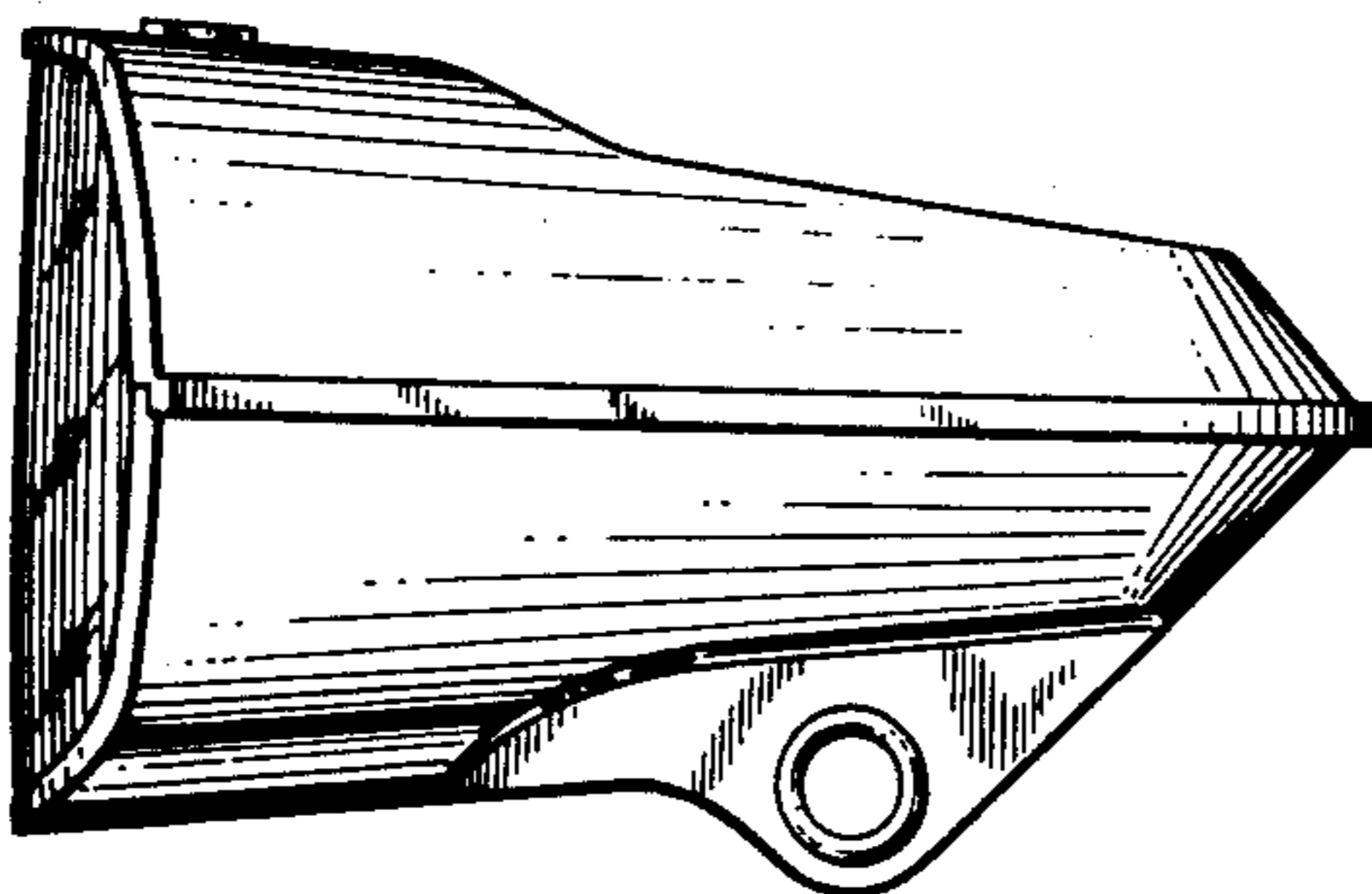
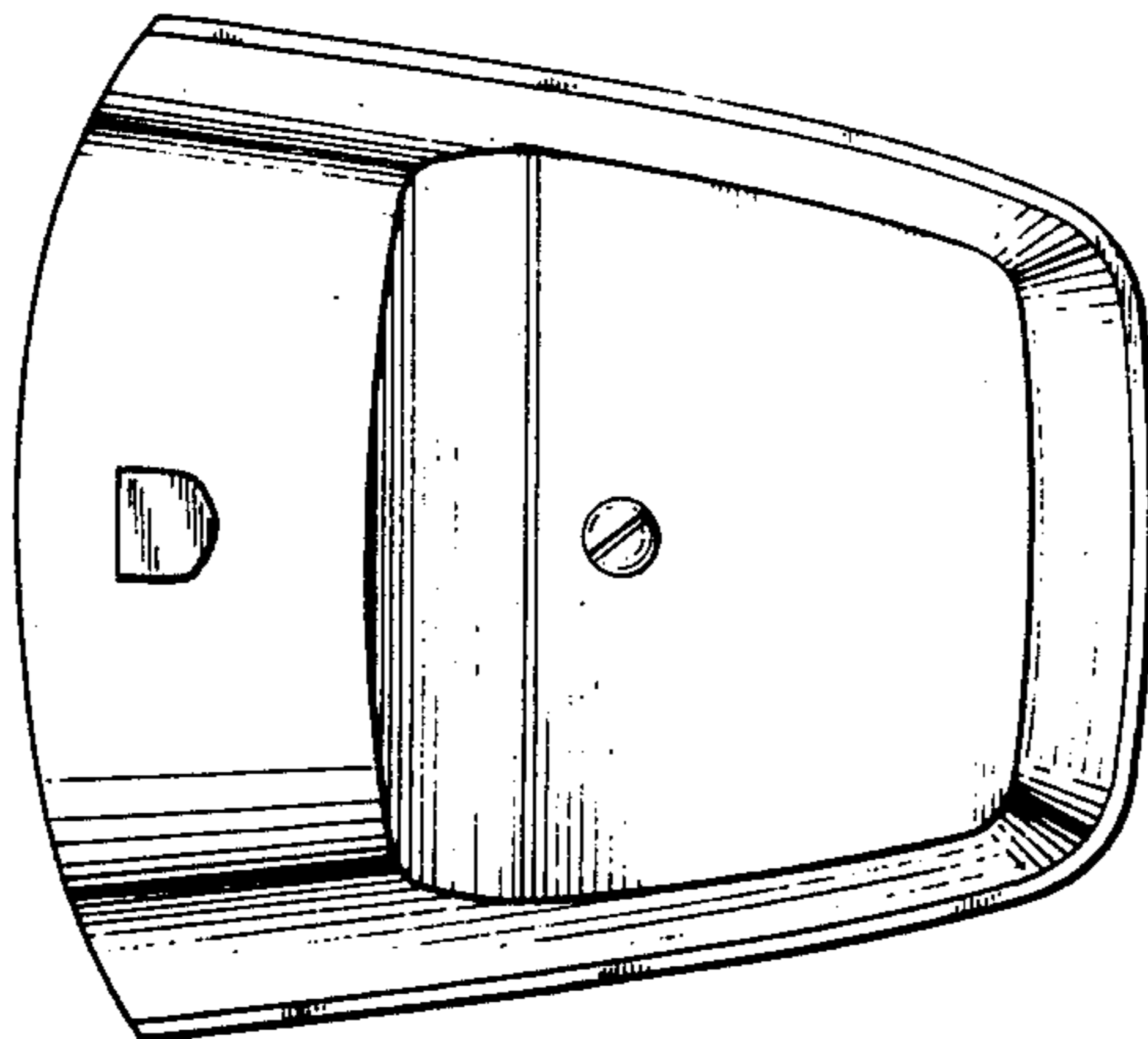


FIG. 1

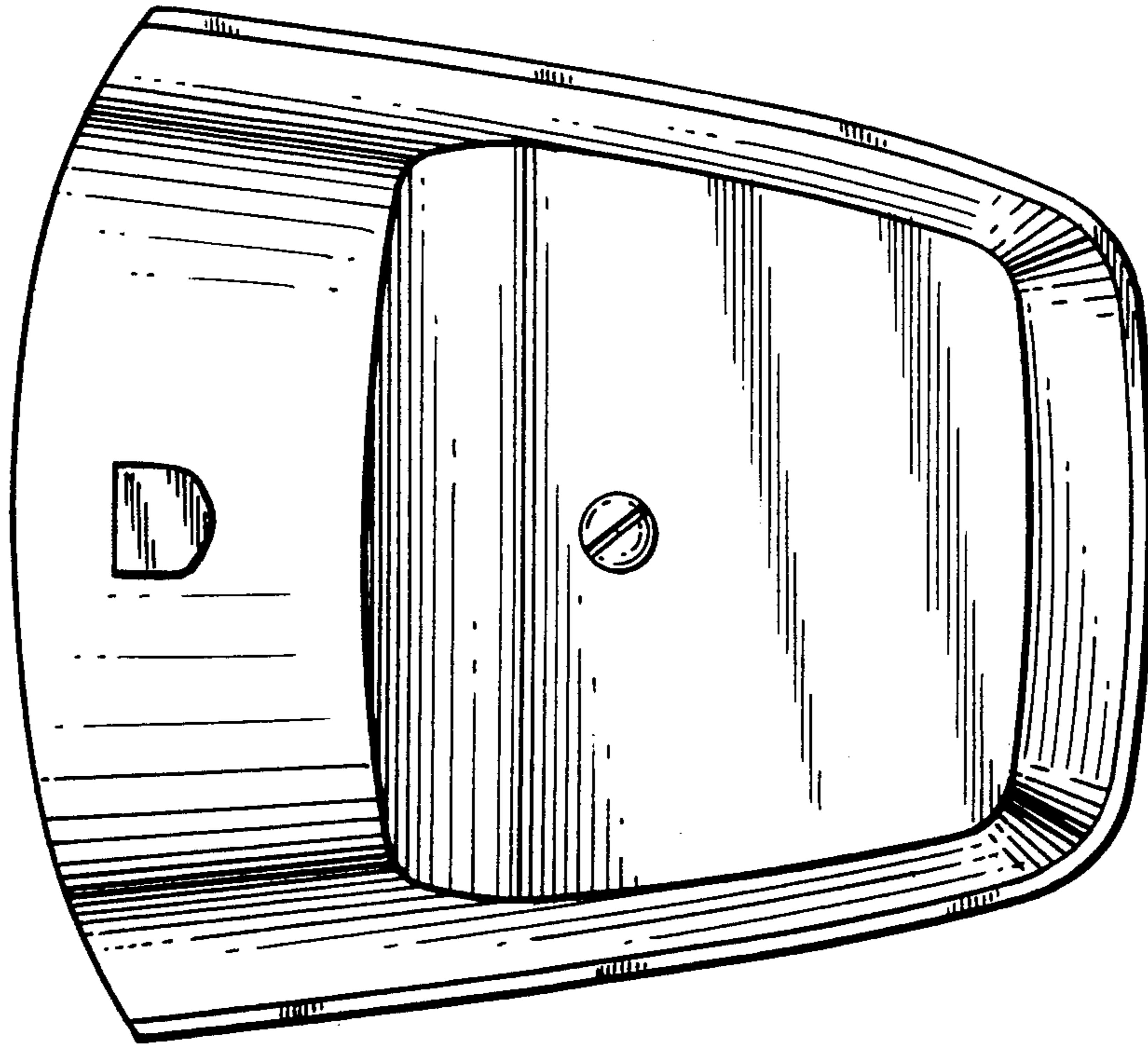


FIG. 2

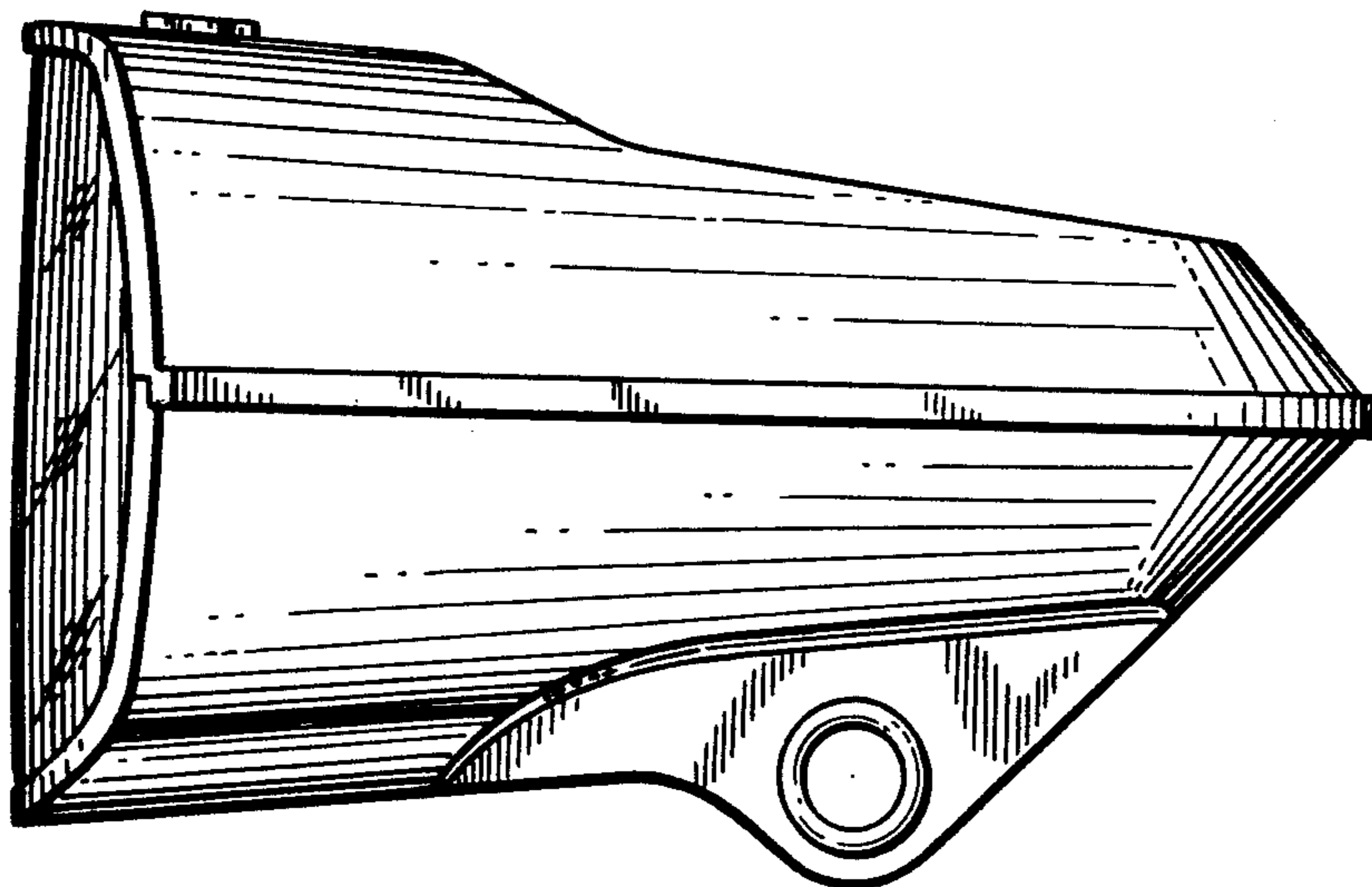


FIG. 5

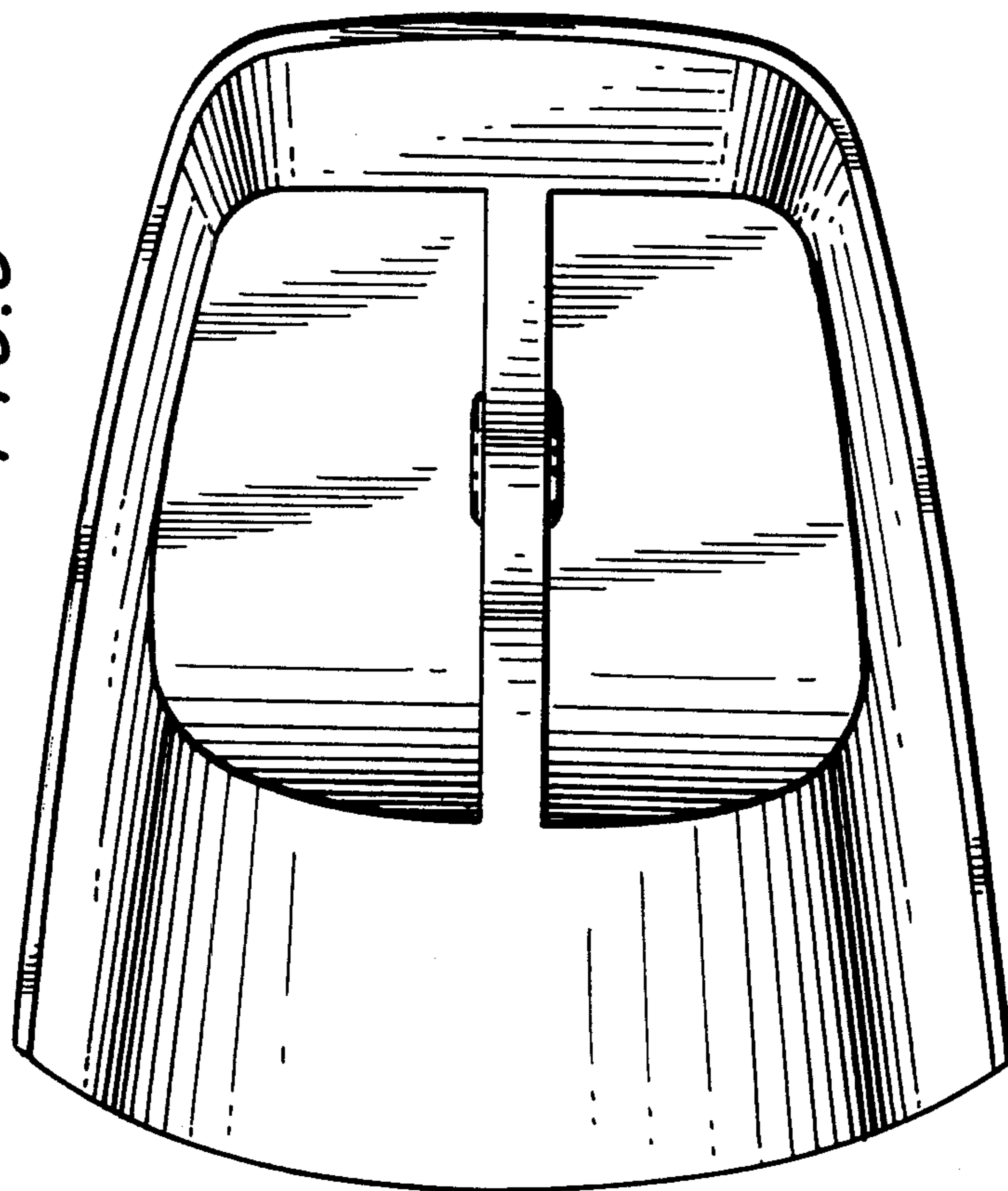


FIG. 3

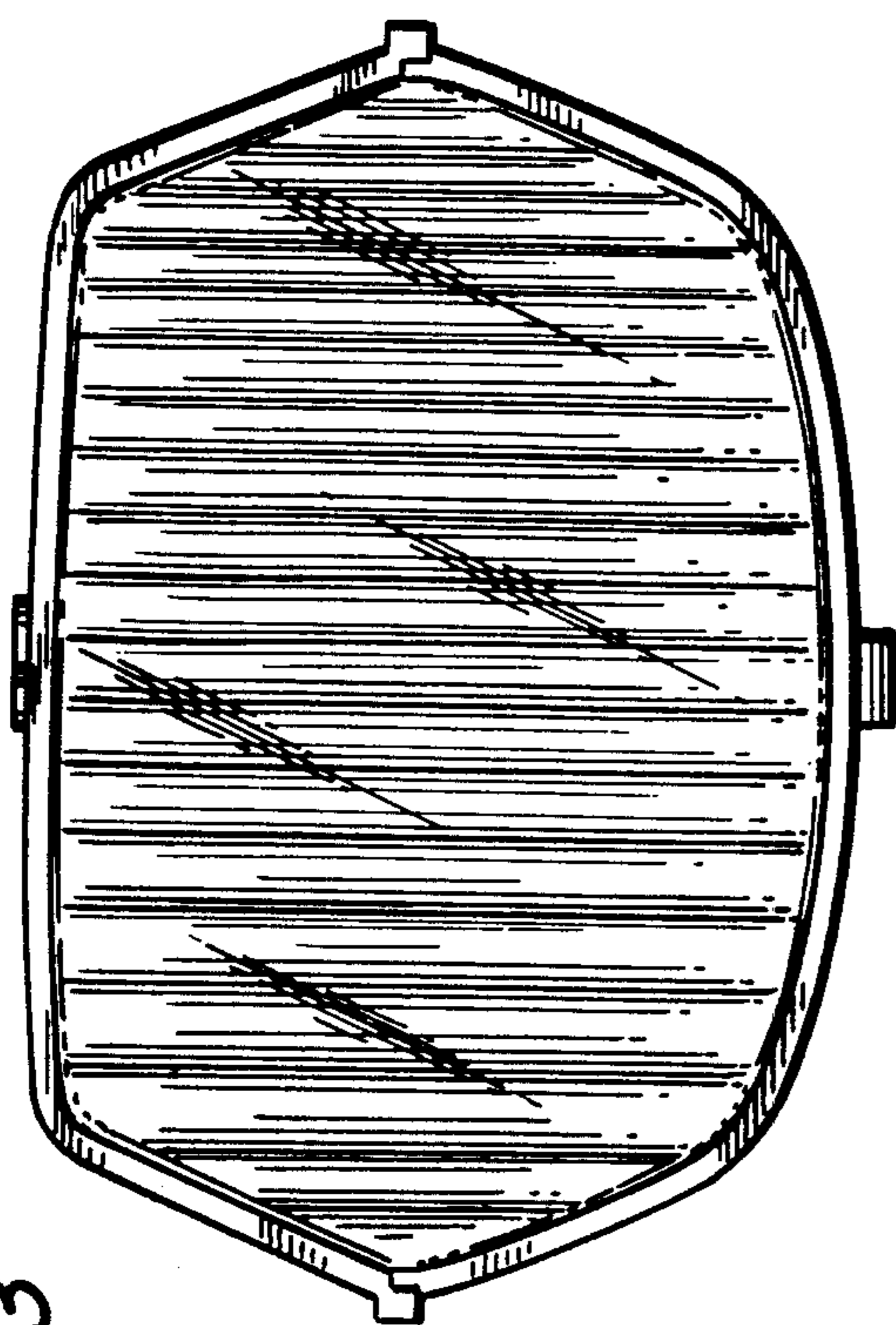


FIG. 4

