

[54] **COMBINED CANDLES AND CONTAINER THEREFOR**

[76] Inventor: **Willy H. Vanbragt**, 111 Rengstorff #92, Mountain View, Calif. 94040

[**] Term: **14 Years**

[21] Appl. No.: **767,283**

[22] Filed: **Feb. 10, 1977**

[51] Int. Cl. **D26—01**

[52] U.S. Cl. **D48/2**

[58] Field of Search **D48/2, 20 R; 431/288, 431/289, 290, 291, 292, 294, 295, 297; 240/13, 17**

[56] **References Cited**

U.S. PATENT DOCUMENTS

D. 205,300 7/1966 Douglas D48/2
D. 234,367 2/1975 Wolfard D48/2 X

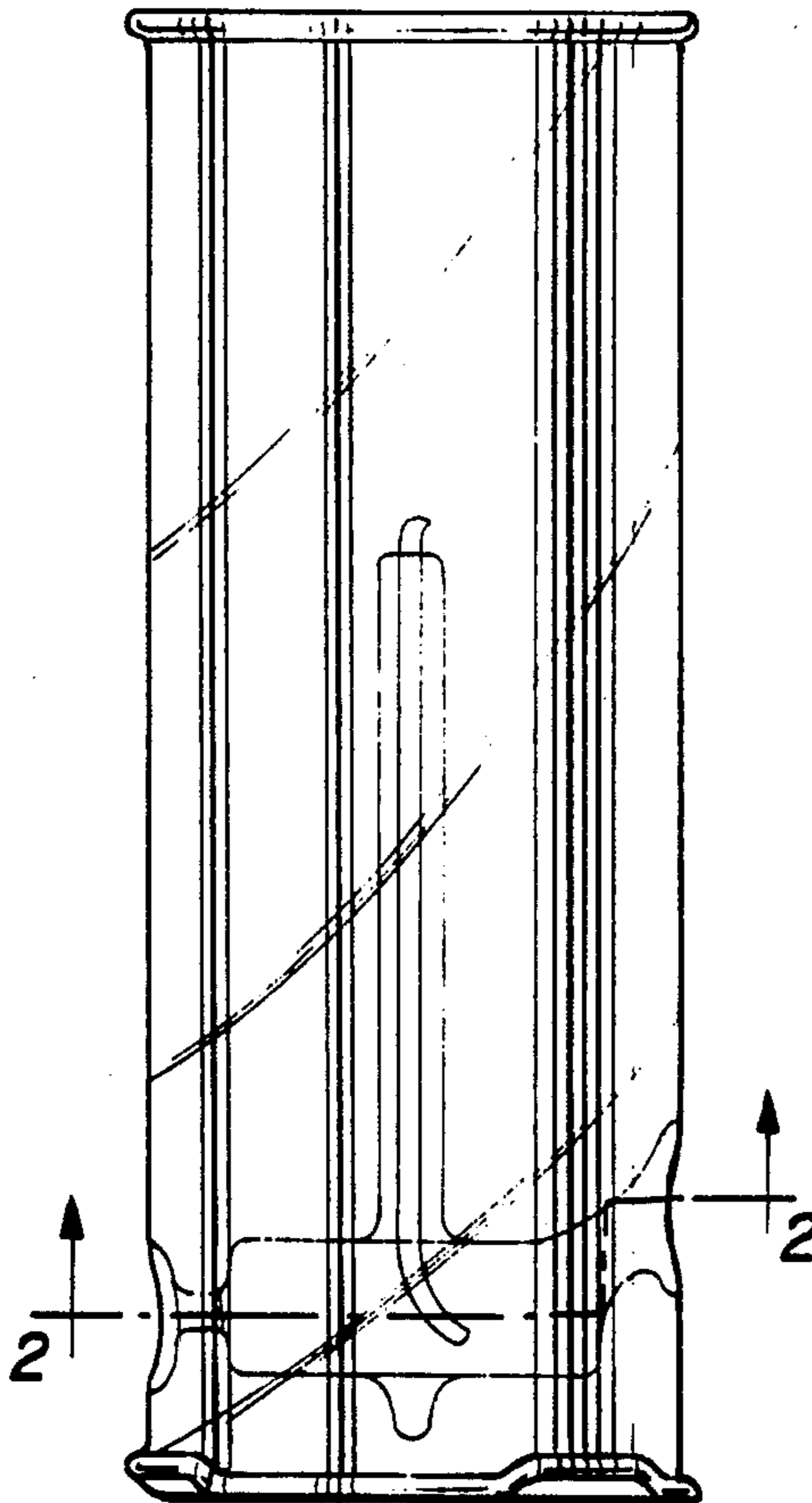
Primary Examiner—Susan J. Lucas
Attorney, Agent, or Firm—Harvey G. Lowhurst

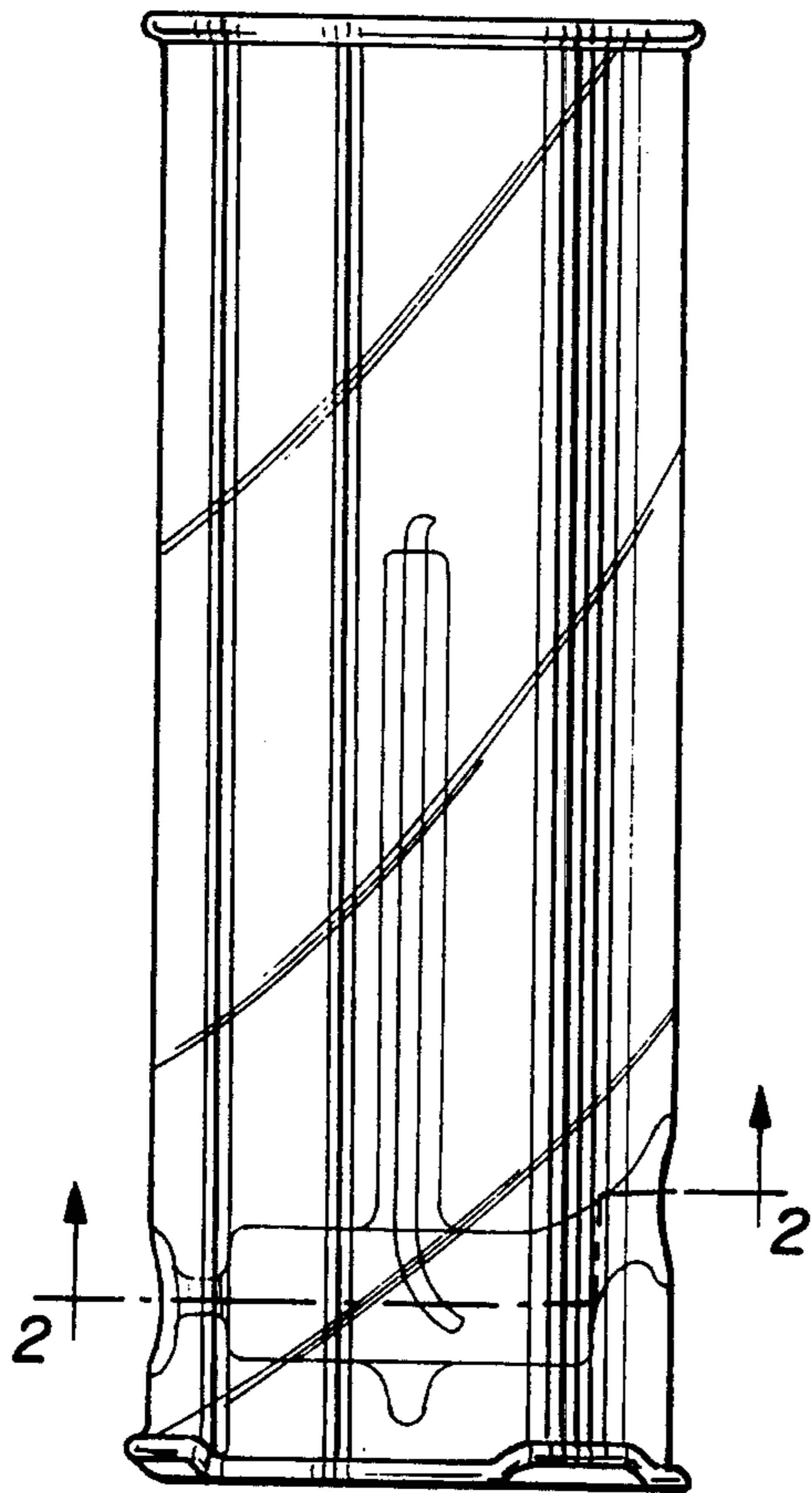
[57] **CLAIM**

The ornamental design for combined candles and container therefor, as shown.

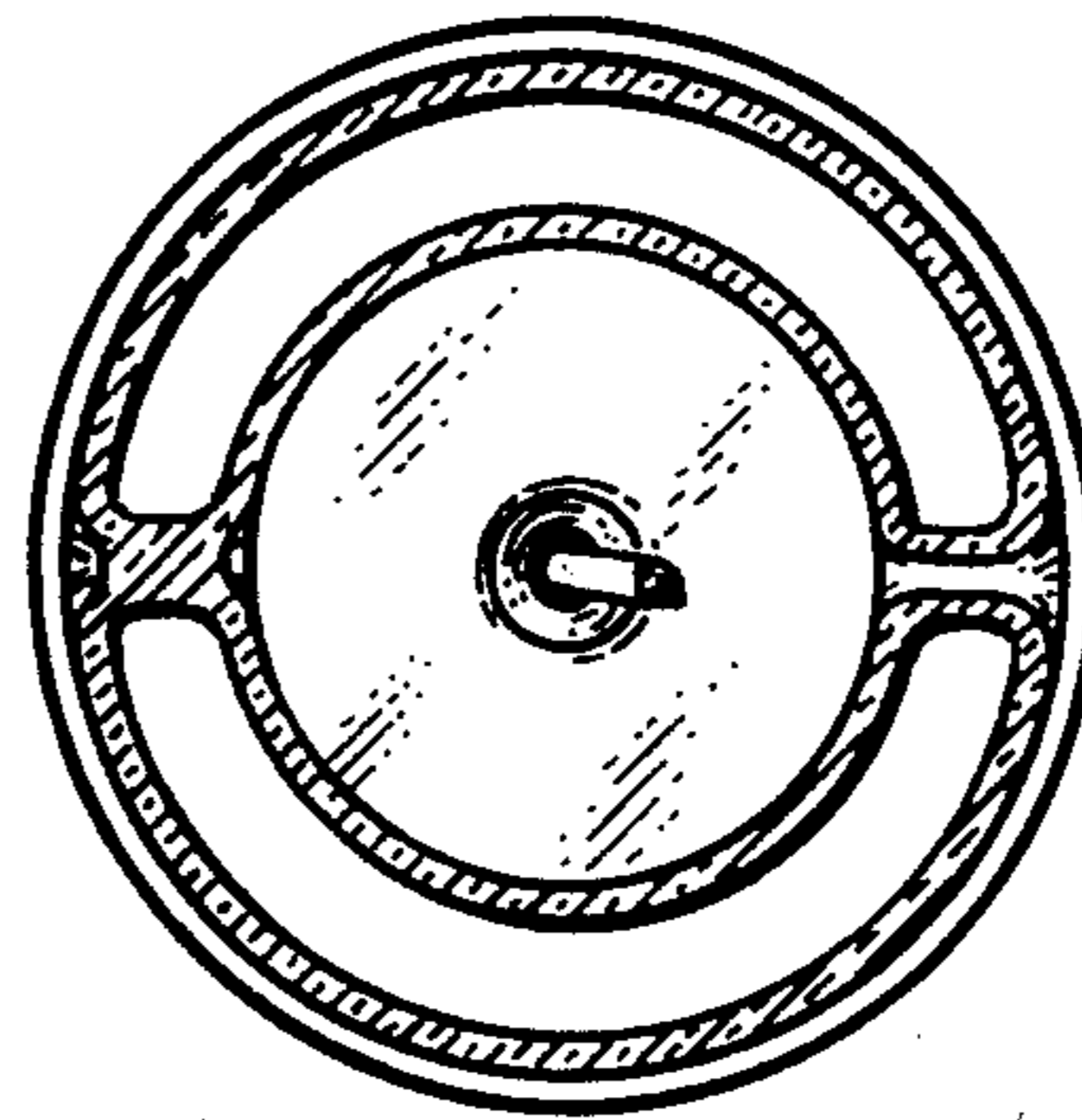
DESCRIPTION

FIG. 1 is a front elevational view of the combined candles and container therefor showing my design; FIG. 2 is a view taken along line 2—2 of FIG. 1; FIG. 3 is a side elevational view thereof; and FIG. 4 is a bottom plan view thereof.

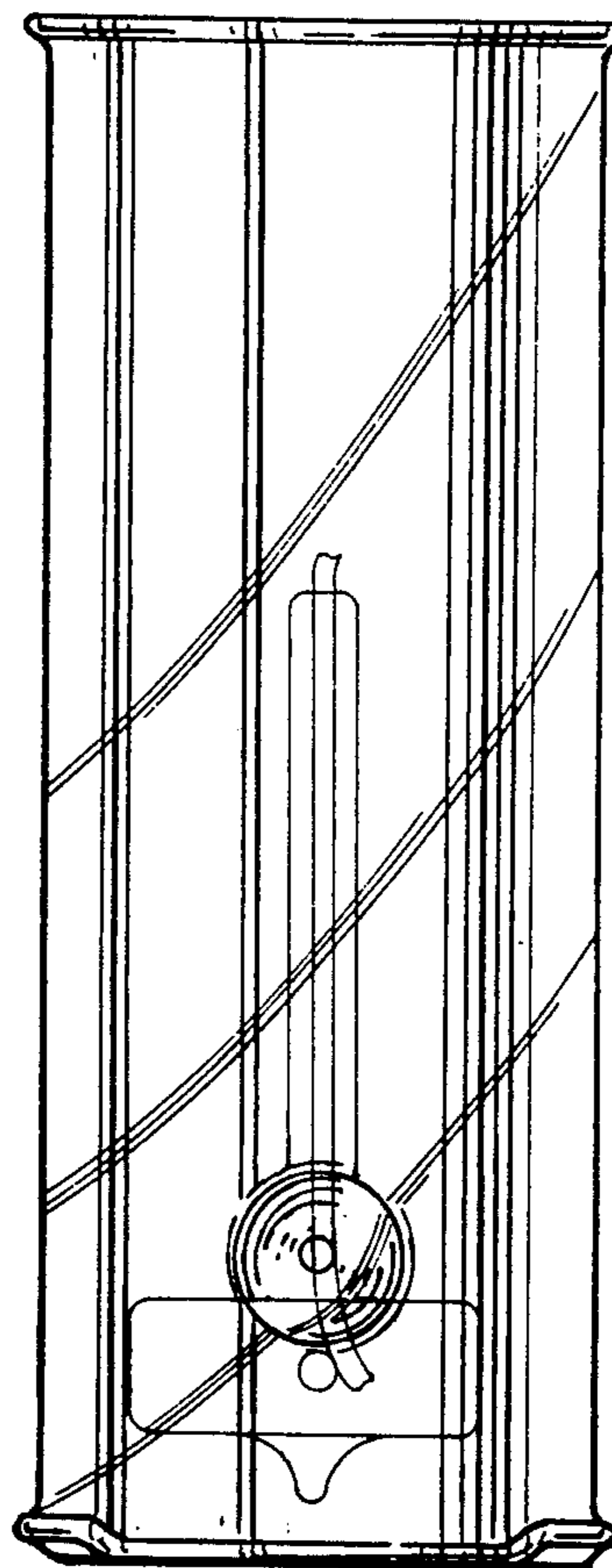




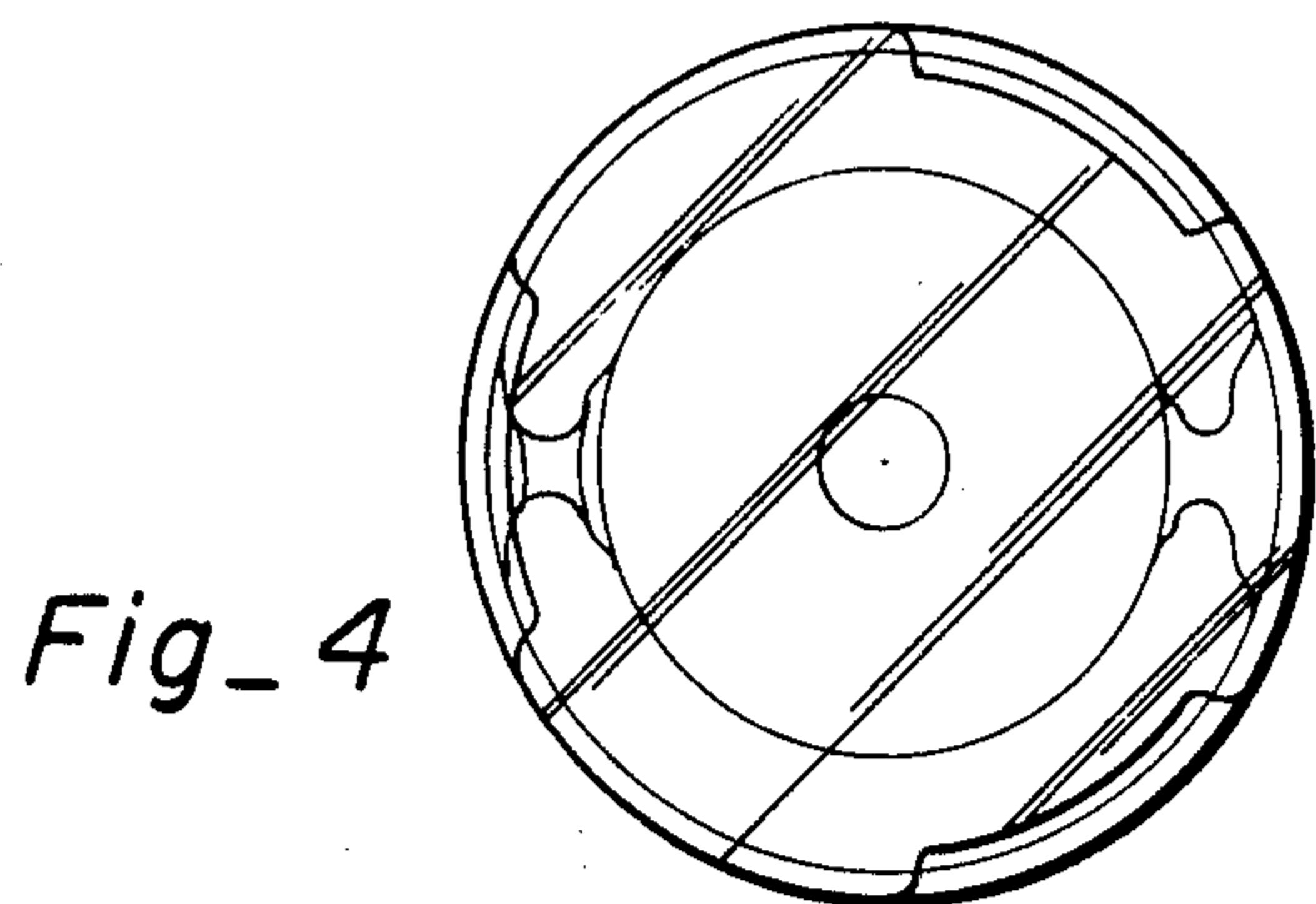
Fig_1



Fig_2



Fig_3



Fig_4