

[54] TOY AIRPLANE

[75] Inventor: James F. Loomis, Seattle, Wash.

[73] Assignee: Industrial Promotional Toys, Inc.

[**] Term: 14 Years

[21] Appl. No.: 651,024

[22] Filed: Jan. 21, 1976

[51] Int. Cl. D21-01

[52] U.S. Cl. D34/15 HH

[58] Field of Search D34/15 HH; D12/71, 73, D12/77, 78, 80; 46/76 R, 76 A, 77, 78, 79, 80, 81, 89

[56]

References Cited

U.S. PATENT DOCUMENTS

D. 144,110	3/1946	Hite et al.	D12/80
D. 218,786	9/1970	Studer	D12/80
D. 231,606	5/1974	Blattner et al.	D12/80

D. 243,108 1/1977 Yeung D34/15 HH

OTHER PUBLICATIONS

Flight International, 10-1967, p. 670, Jet Transall.

Primary Examiner—Nelson C. Holtje

Assistant Examiner—C. A. Rademaker

Attorney, Agent, or Firm—Roy E. Mattern, Jr.

[57]

CLAIM

The ornamental design for a toy airplane, as shown and described.

DESCRIPTION

FIG. 1 is a side elevational view of a toy airplane, showing my new design, the side opposite being substantially a mirror image;

FIG. 2 is a front elevational view thereof;

FIG. 3 is a top plan view thereof;

FIG. 4 is a bottom plan view thereof; and

FIG. 5 is a rear elevational view thereof.

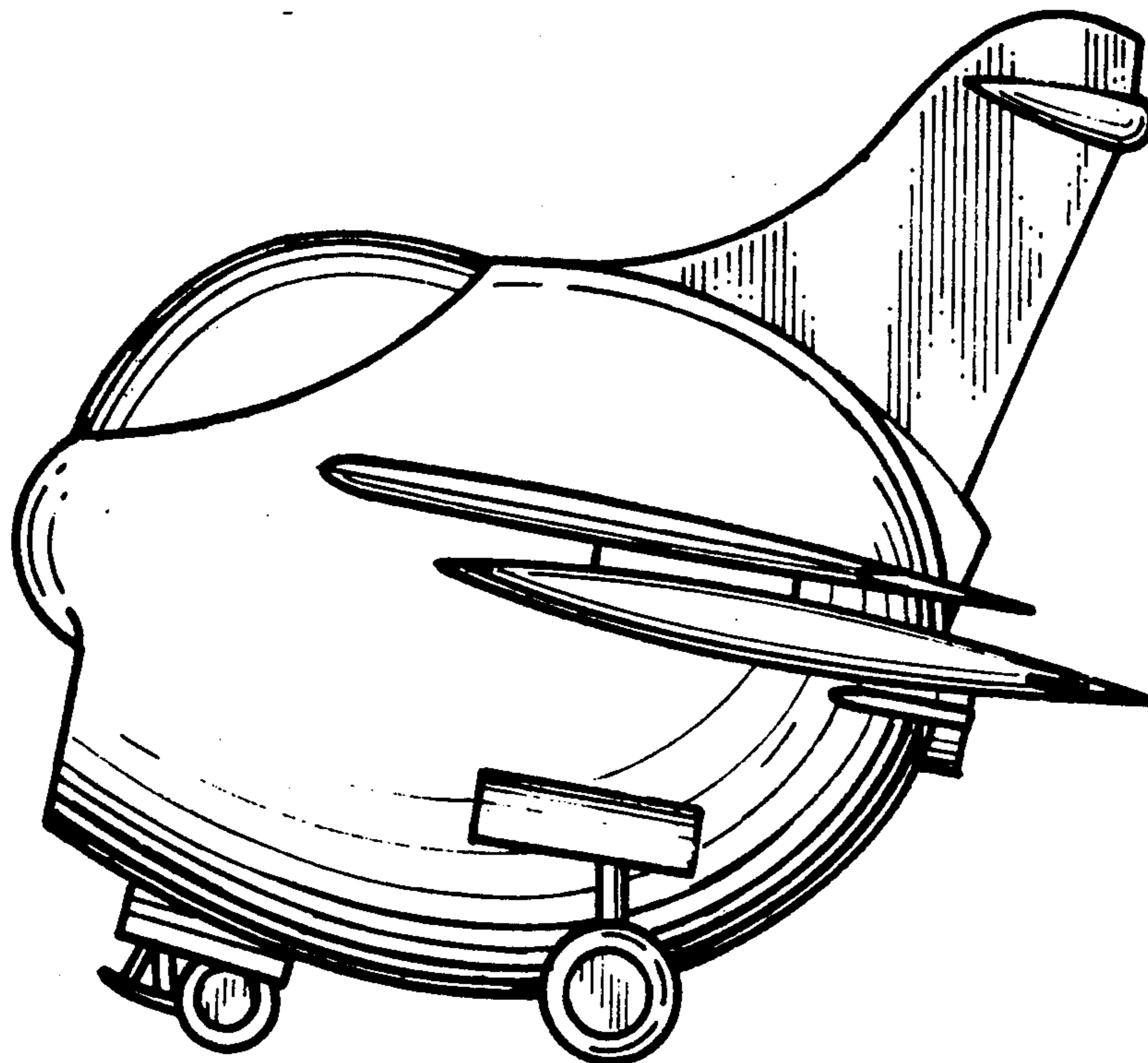


FIG. 1

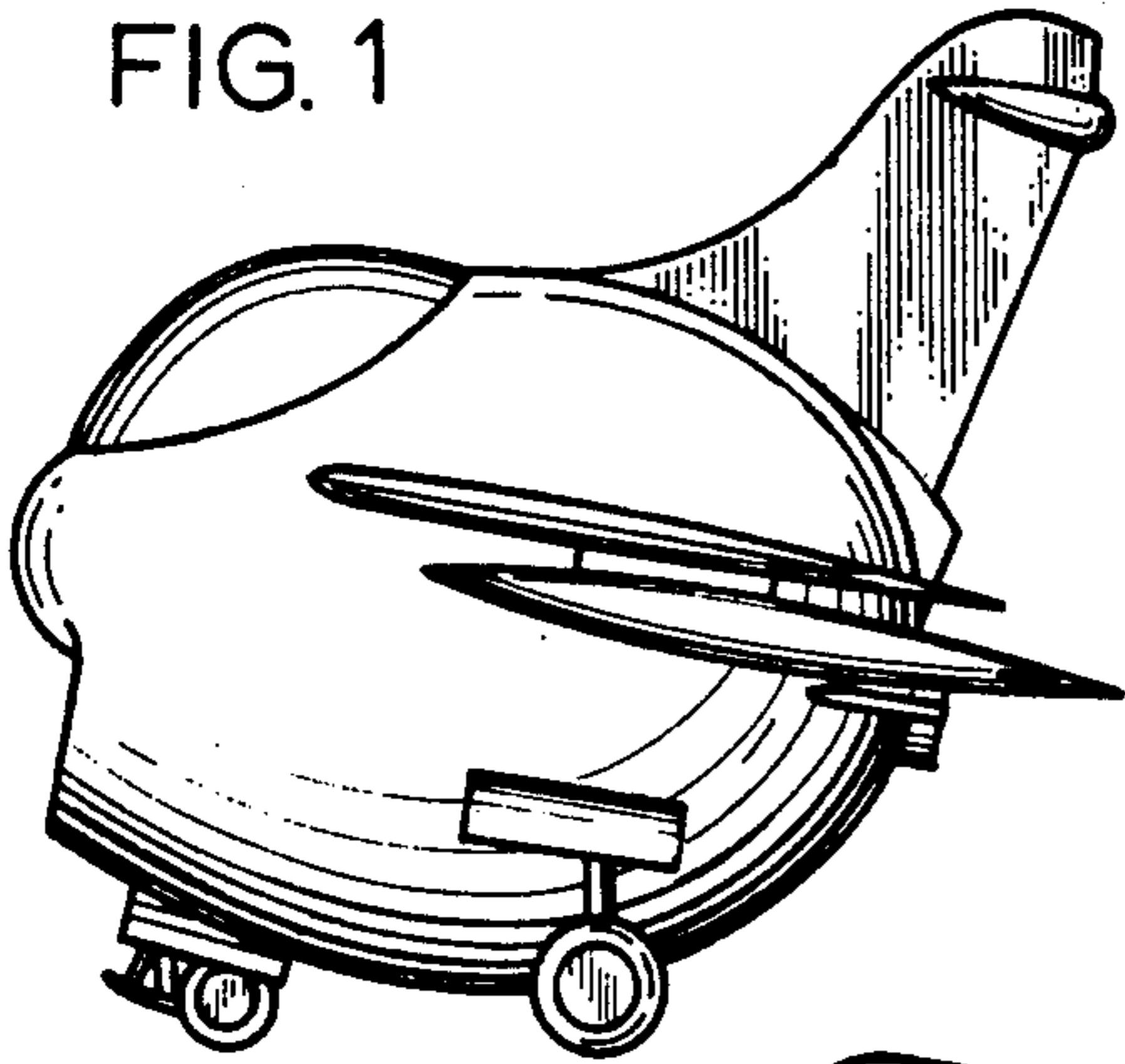


FIG. 2

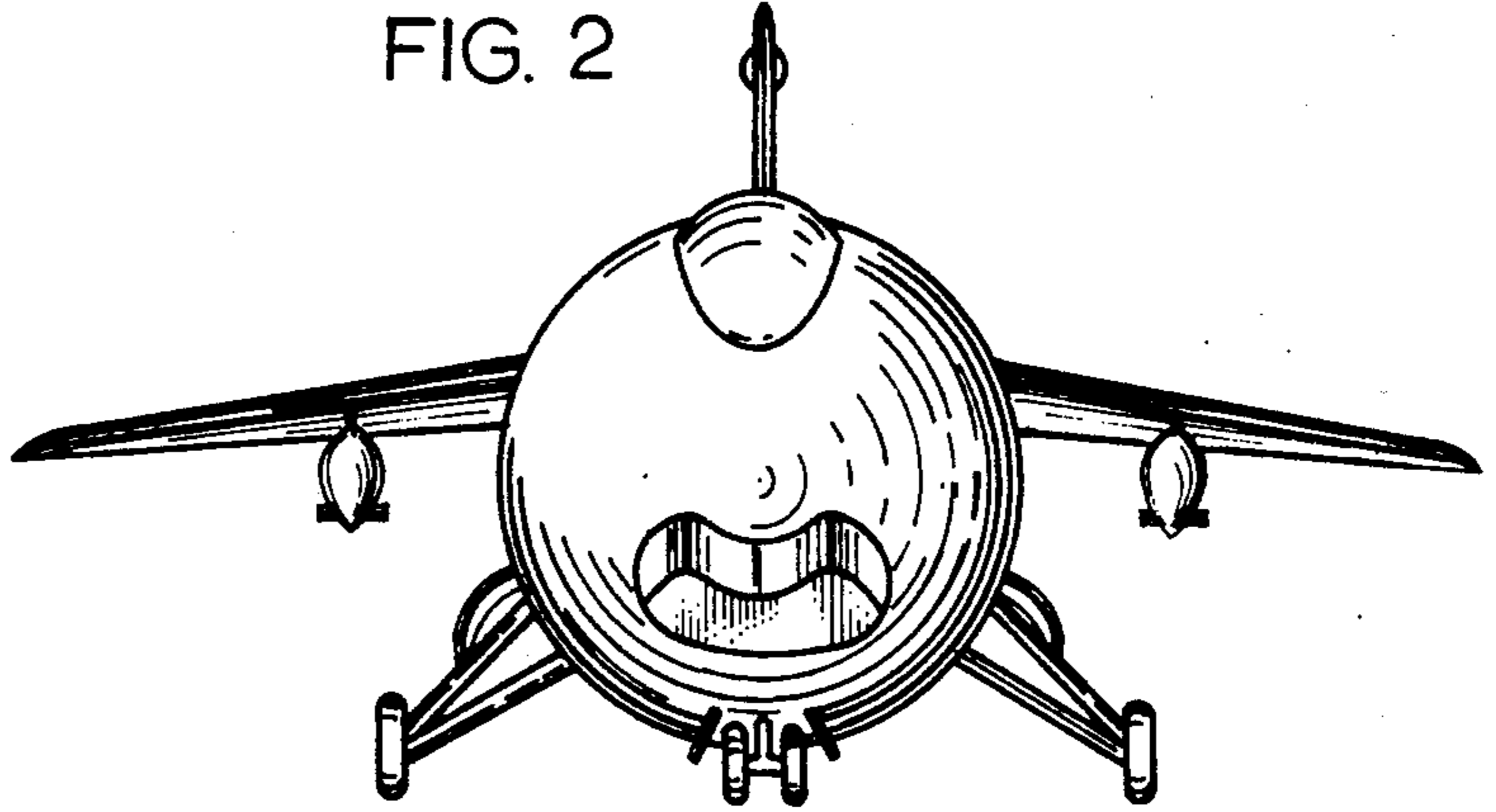


FIG. 3

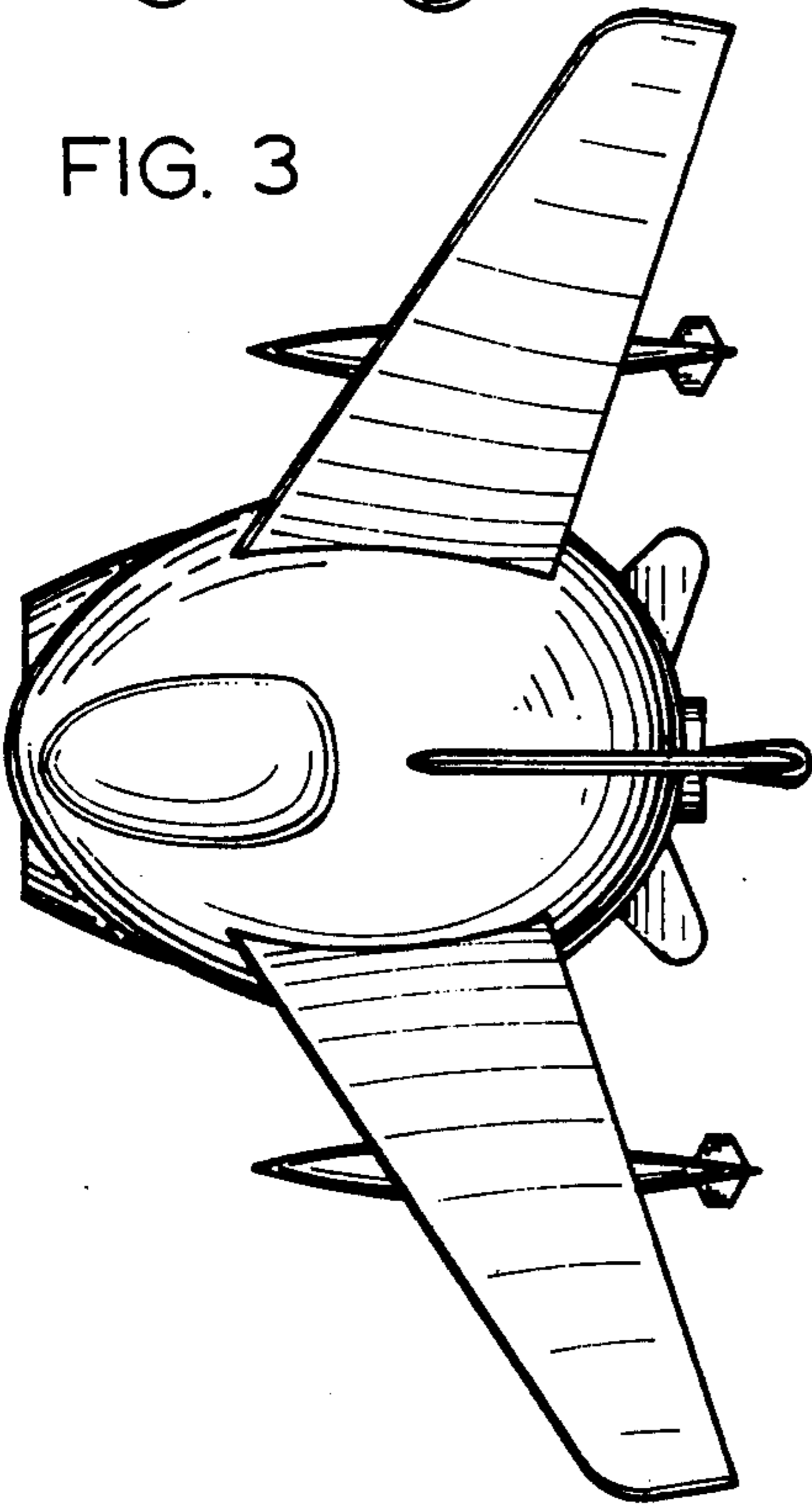


FIG. 4

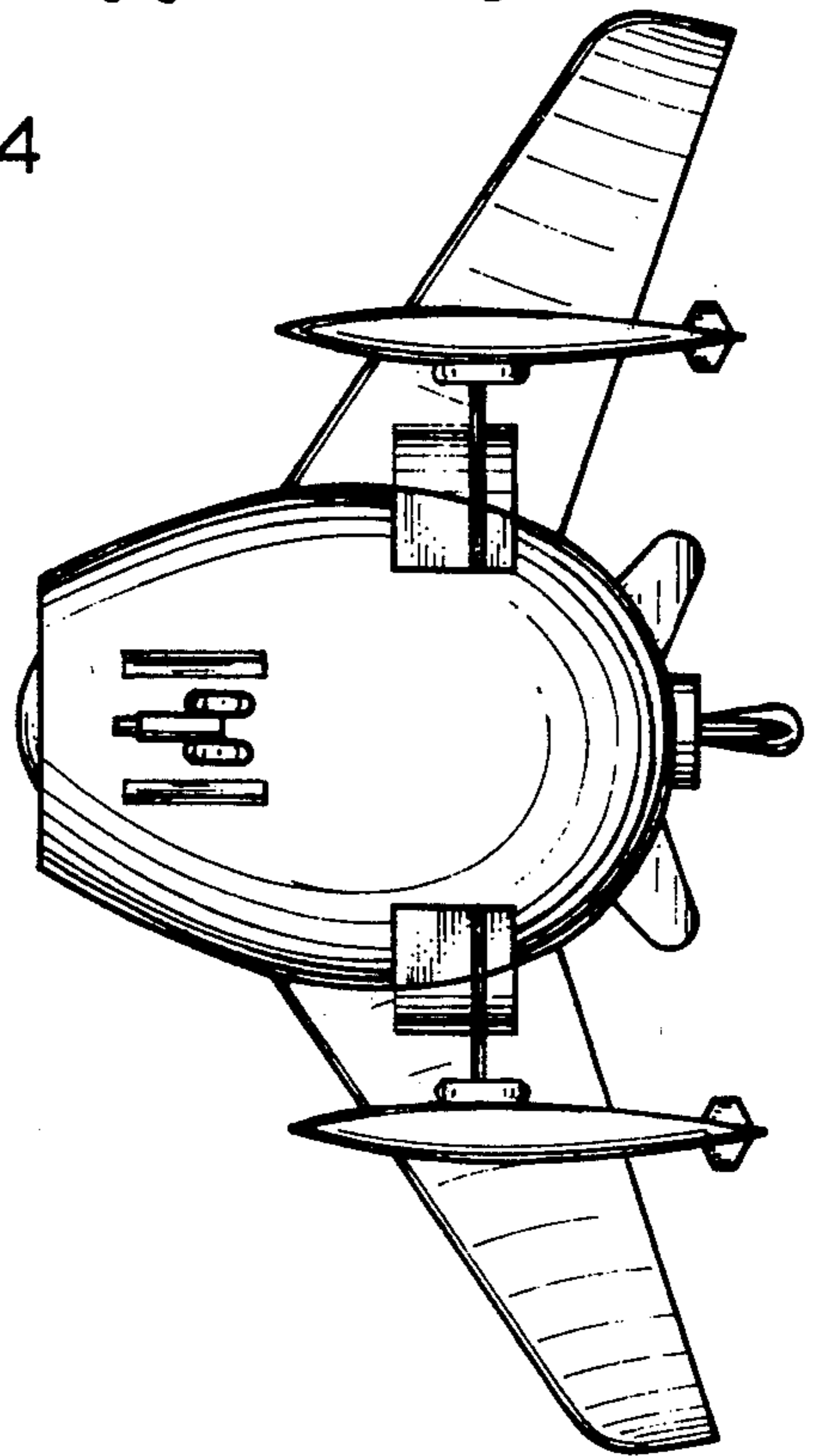


FIG. 5

