

- [54] TOY AIRPLANE
- [75] Inventor: James F. Loomis, Seattle, Wash.
- [73] Assignee: Industrial Promotional Toys, Inc.
- [**] Term: 14 Years
- [21] Appl. No.: 651,023
- [22] Filed: Jan. 21, 1976
- [51] Int. Cl. D21-01
- [52] U.S. Cl. D34/15 HH
- [58] Field of Search D34/15 HH; D12/71, 73,
D12/77, 78, 80; 46/76 R, 76 A, 77, 78, 79, 80,
81, 89

D. 243,108 1/1977 Yeung D34/15 HH

OTHER PUBLICATIONS

Flight International, 10-1967, p. 670, Jet Transall.

Primary Examiner—Nelson C. Holtje
Assistant Examiner—C. A. Rademaker
Attorney, Agent, or Firm—Roy E. Mattern, Jr.

[57] CLAIM

The ornamental design for a toy airplane, as shown and described.

DESCRIPTION

FIG. 1 is a side elevational view of a toy airplane, showing my new design;
FIG. 2 is a front elevational view thereof;
FIG. 3 is a top plan view thereof;
FIG. 4 is a bottom plan view thereof; and
FIG. 5 is a rear elevational view thereof.

- [56] **References Cited**
- U.S. PATENT DOCUMENTS**
- D. 183,657 10/1958 Johnson et al. D34/15 HH

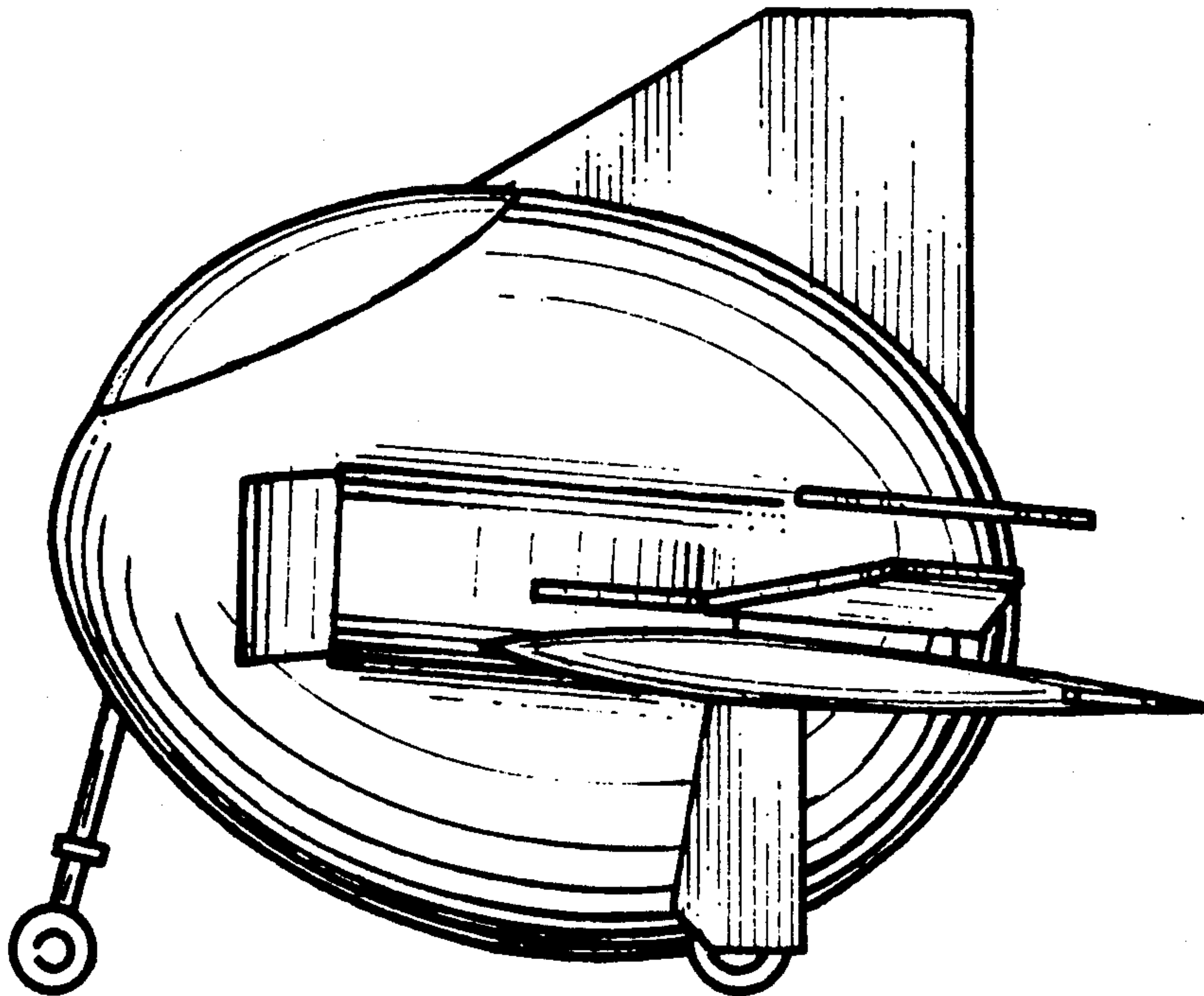


FIG. 1

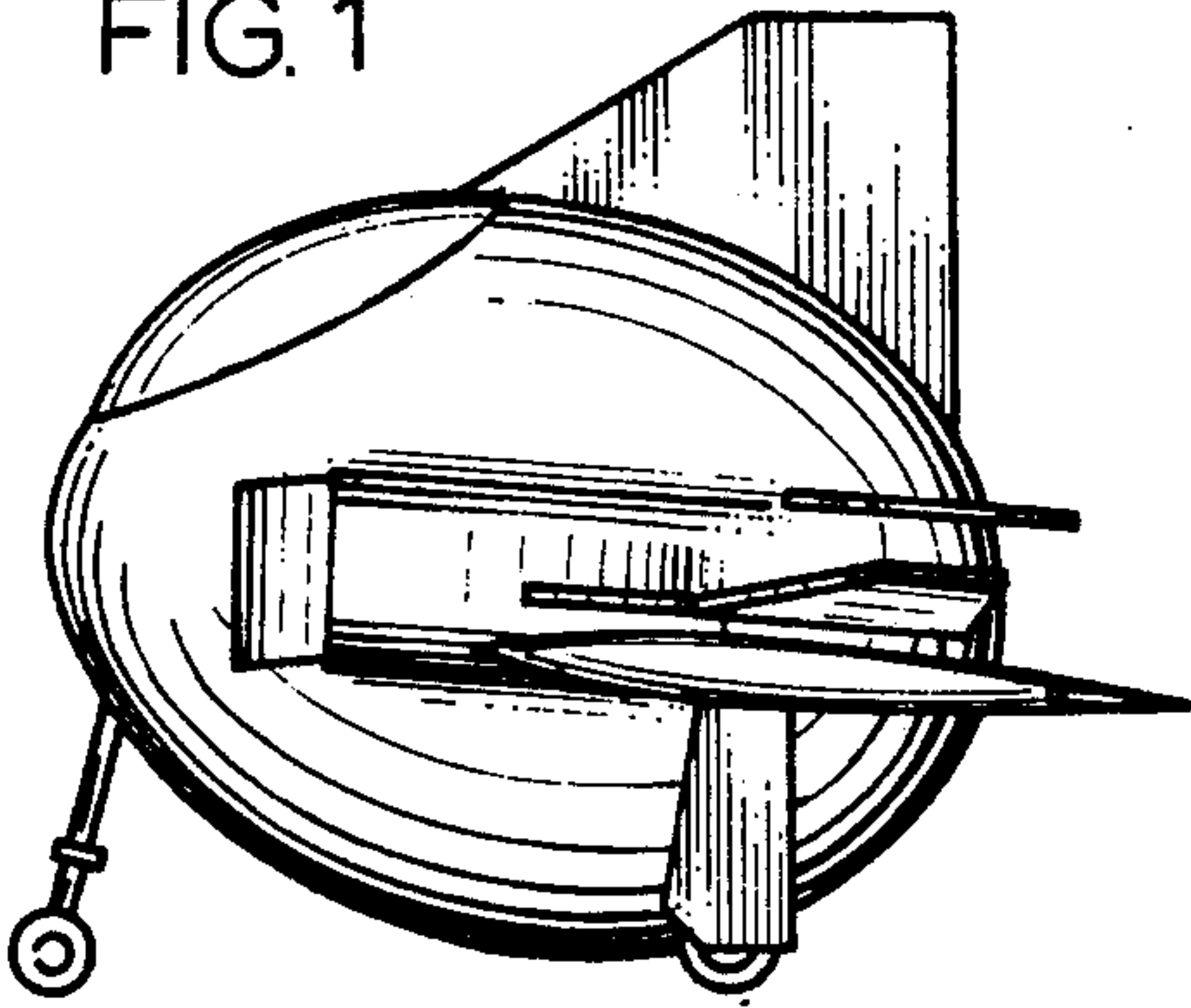


FIG. 2

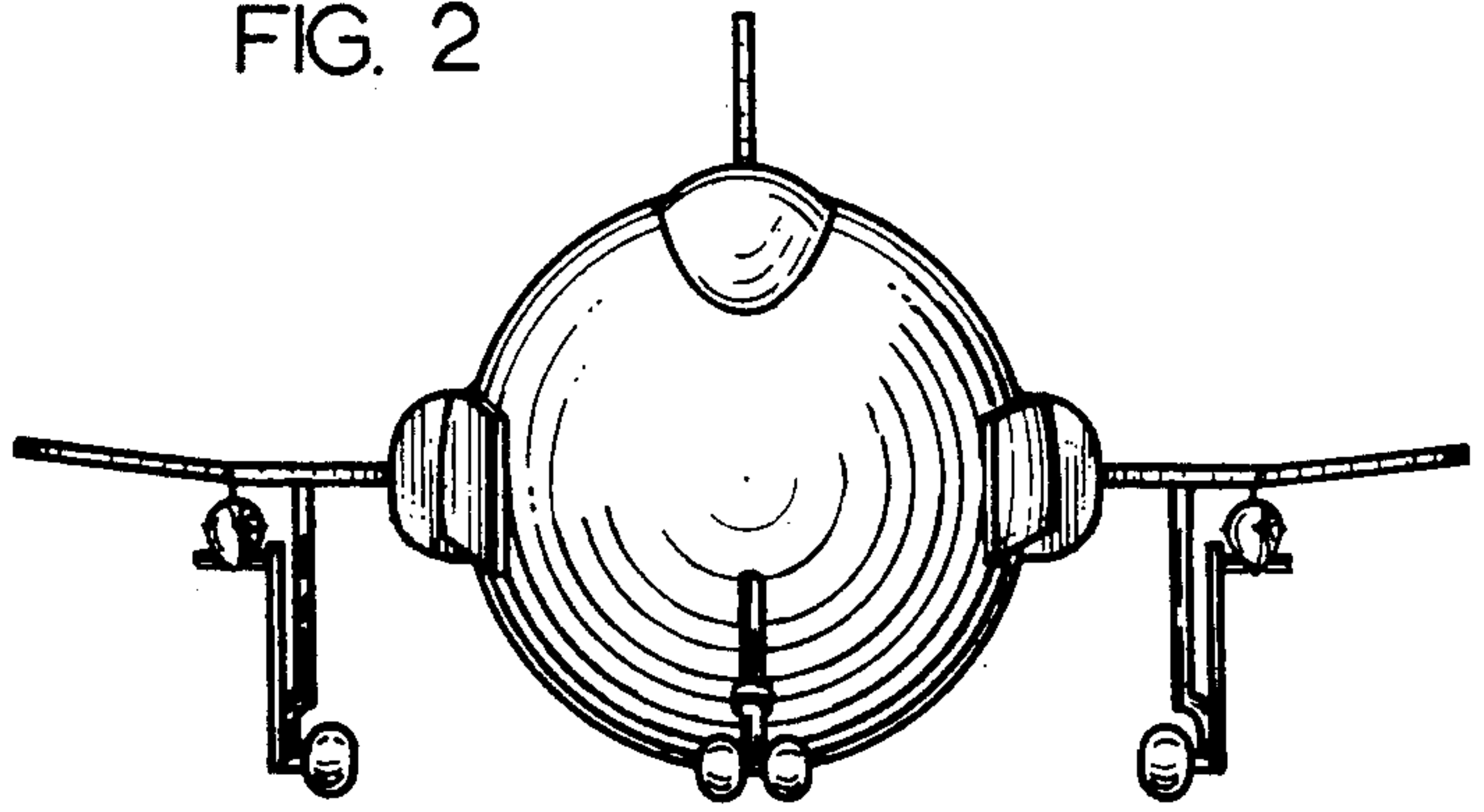


FIG. 3

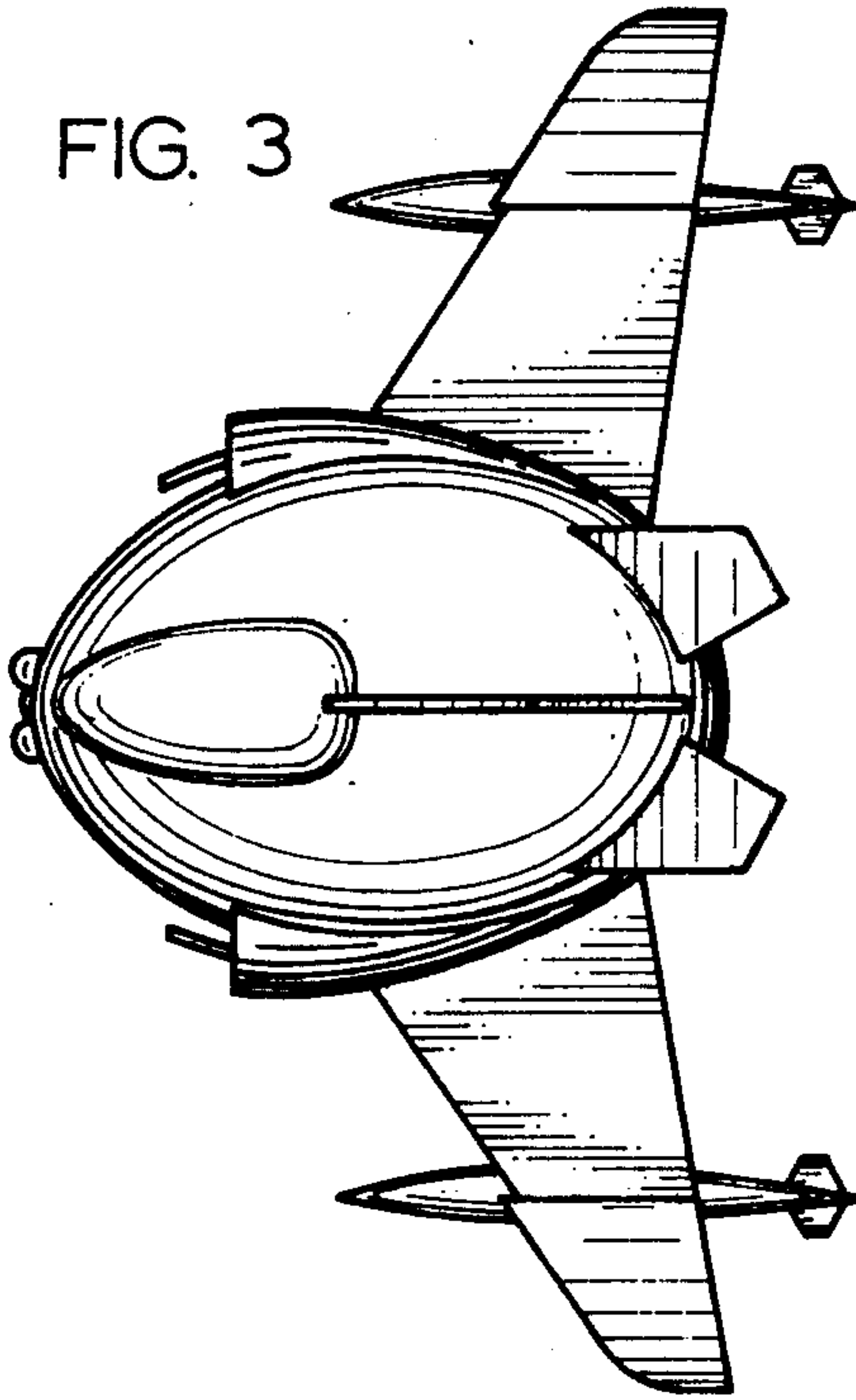


FIG. 4

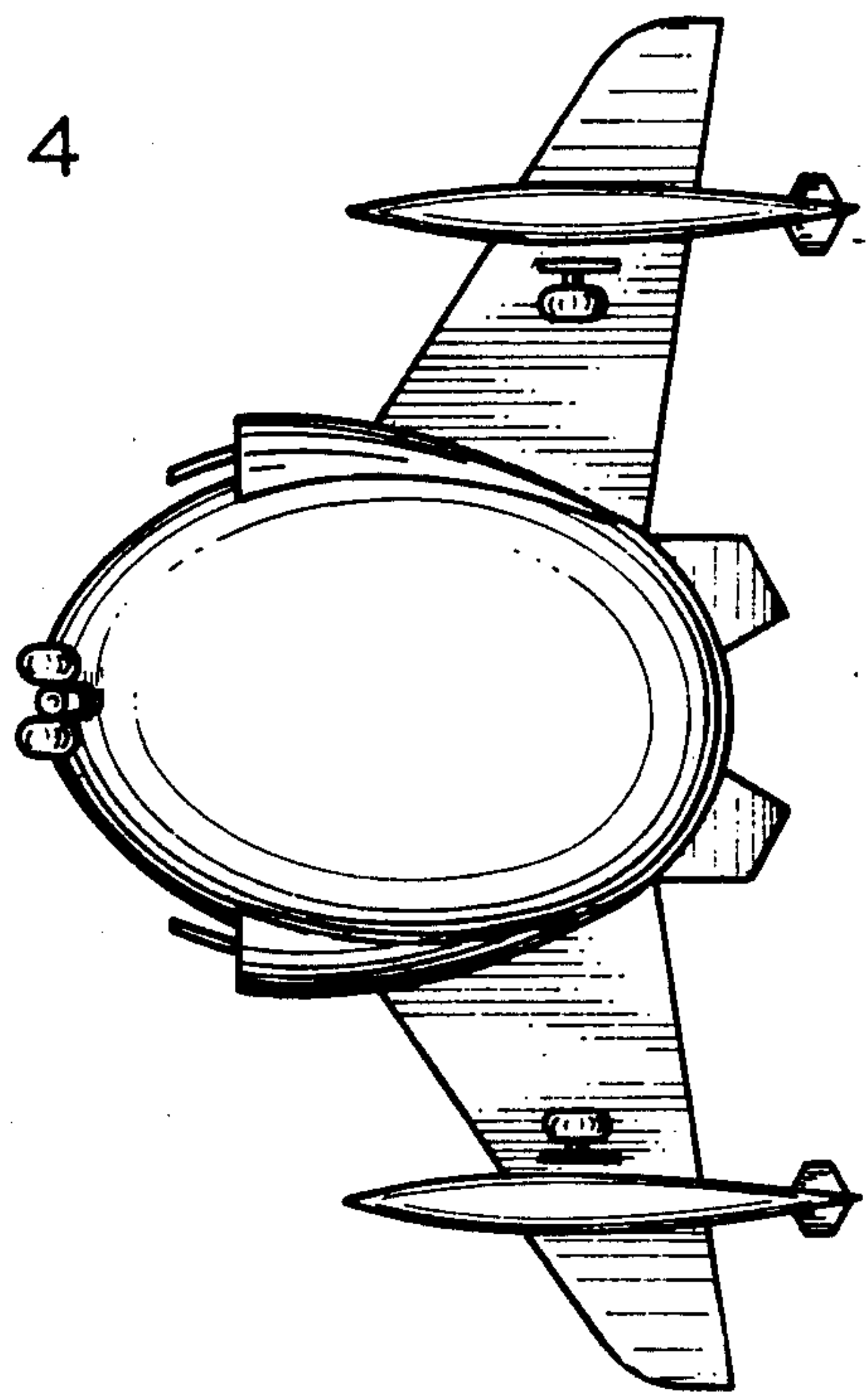


FIG. 5

