

[54] SWIMMING POOL FORM

[76] Inventor: Paul E. Grant, 2625 SE. Bonita St.,  
Stuart, Fla. 33494

[\*\*] Term: 14 Years

[21] Appl. No.: 715,913

[22] Filed: Aug. 19, 1976

[51] Int. Cl. .... D25-99

[52] U.S. Cl. .... D25/98; D25/74

[58] Field of Search ..... 249/2, 3, 6, 9, 19,  
249/27, 188, 189, DIG. 3; D25/98, 2, 73, 74,  
75, 76, 79; 25/131

[56] References Cited

U.S. PATENT DOCUMENTS

D. 47,730	8/1915	Heulings, Jr. ....	D25/74
3,057,269	10/1962	Artigalas et al. ....	249/9 X
3,561,720	2/1971	White .....	249/9

4,012,024 3/1977 Courtois ..... 249/3

Primary Examiner—A. Hugo Word  
Attorney, Agent, or Firm—John W. Malley

[57] CLAIM

The ornamental design for a swimming pool form, substantially as shown.

DESCRIPTION

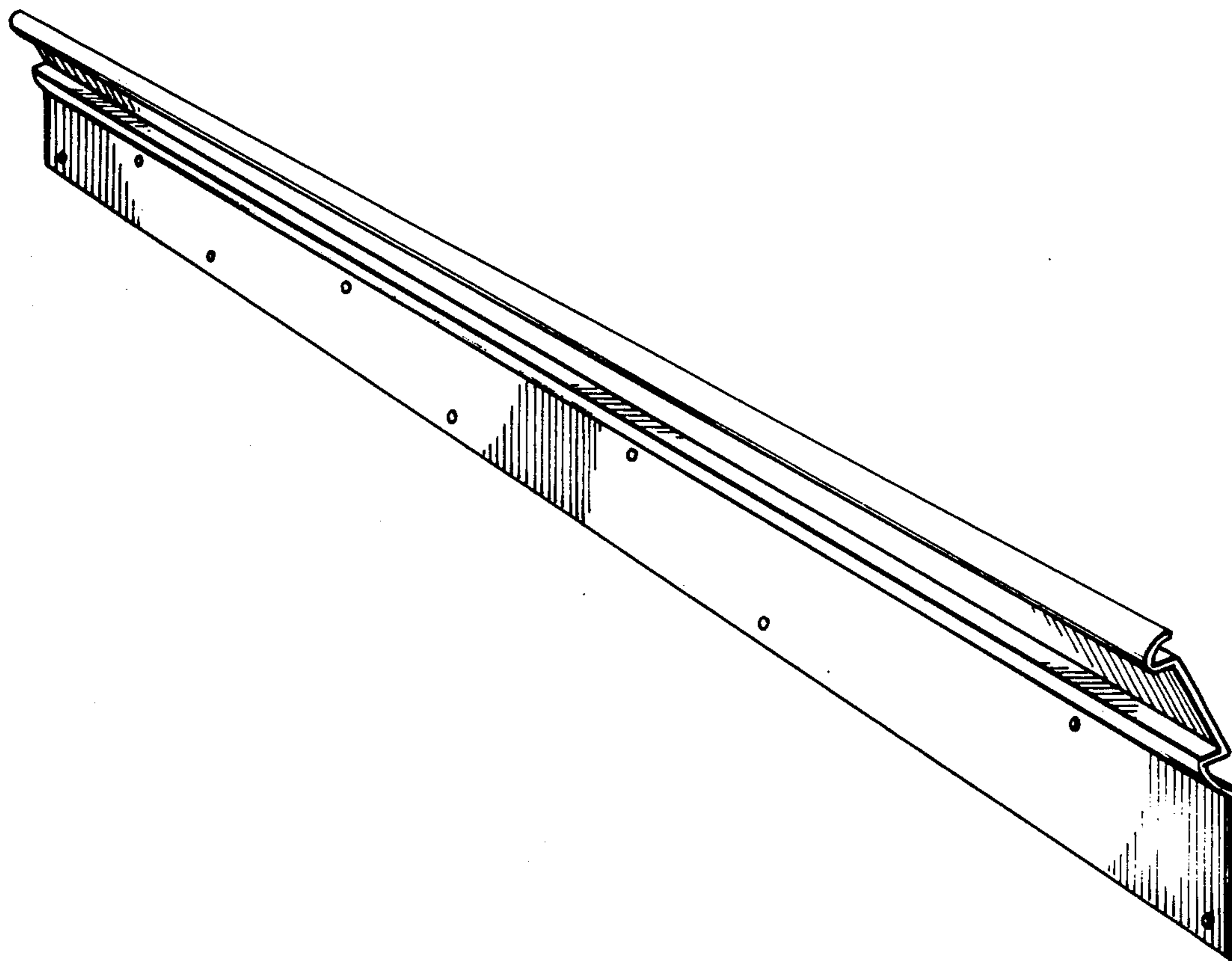
FIG. 1 is a frontal perspective view of a straight swimming pool form according to the present invention;

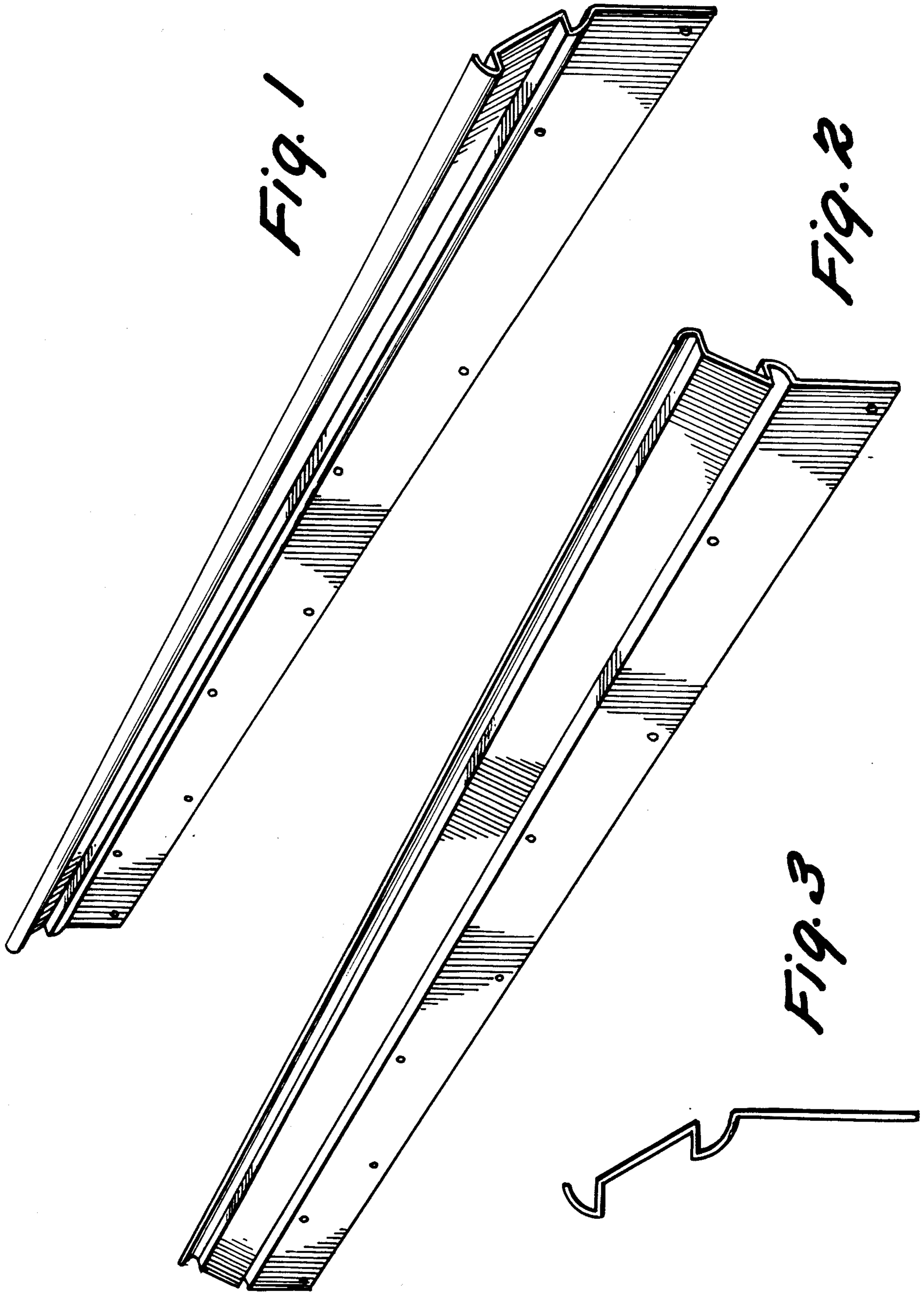
FIG. 2 is a rear perspective view of the swimming pool form of FIG. 1;

FIG. 3 is a side view of the swimming pool form of FIG. 1;

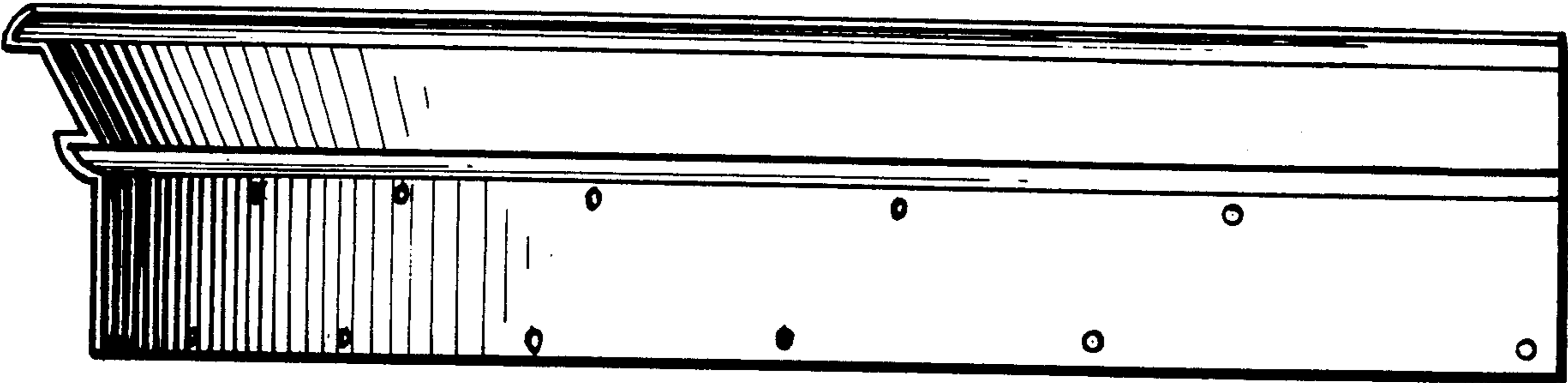
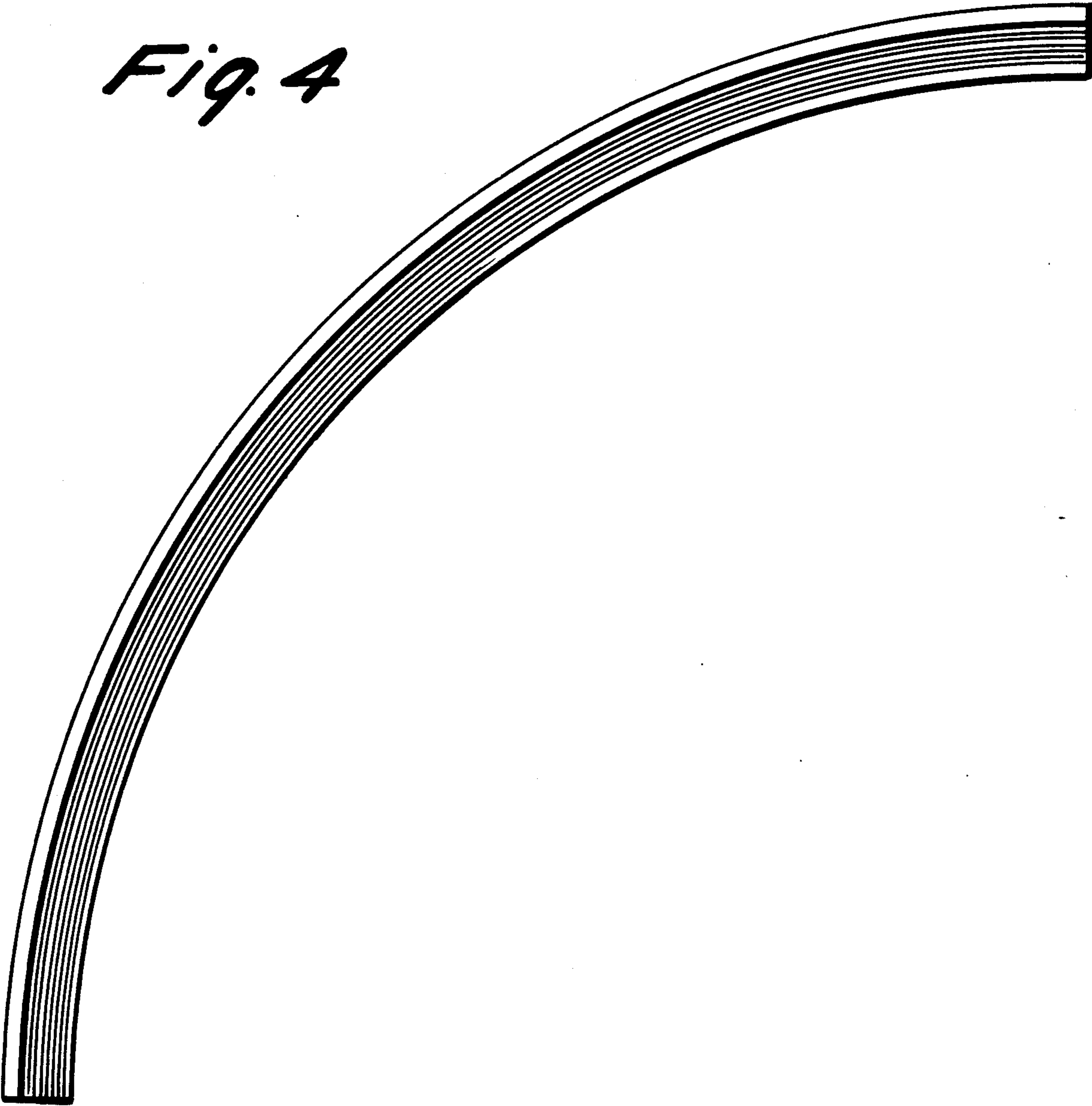
FIG. 4 is a top view of a curved swimming pool form according to the present invention, differing from the swimming pool form of FIG. 1 only in that it is curved rather than straight; and

FIG. 5 is a side view of the swimming pool form of FIG. 4.





*Fig. 4*



*Fig. 5*