

[54] TELEPHONE LIST FINDER

[75] Inventors: Martin Glaubinger, Teaneck, N.J.;
John Wilson, Upper Nyack, N.Y.

[73] Assignee: Rolodex Corporation

[**] Term: 14 Years

[21] Appl. No.: 630,334

[22] Filed: Nov. 10, 1975

[51] Int. Cl. D19-02

[52] U.S. Cl. D19/76

[58] Field of Search D19/76, 78, 86, 92;
D9/235, 240; 40/104.01, 104.02

[56] References Cited

U.S. PATENT DOCUMENTS

D. 170,641	10/1953	Lang	D19/76
D. 187,570	3/1960	White	D19/76
D. 235,425	6/1975	Mozi	D19/76
3,563,370	2/1971	Nozette et al.	D9/240

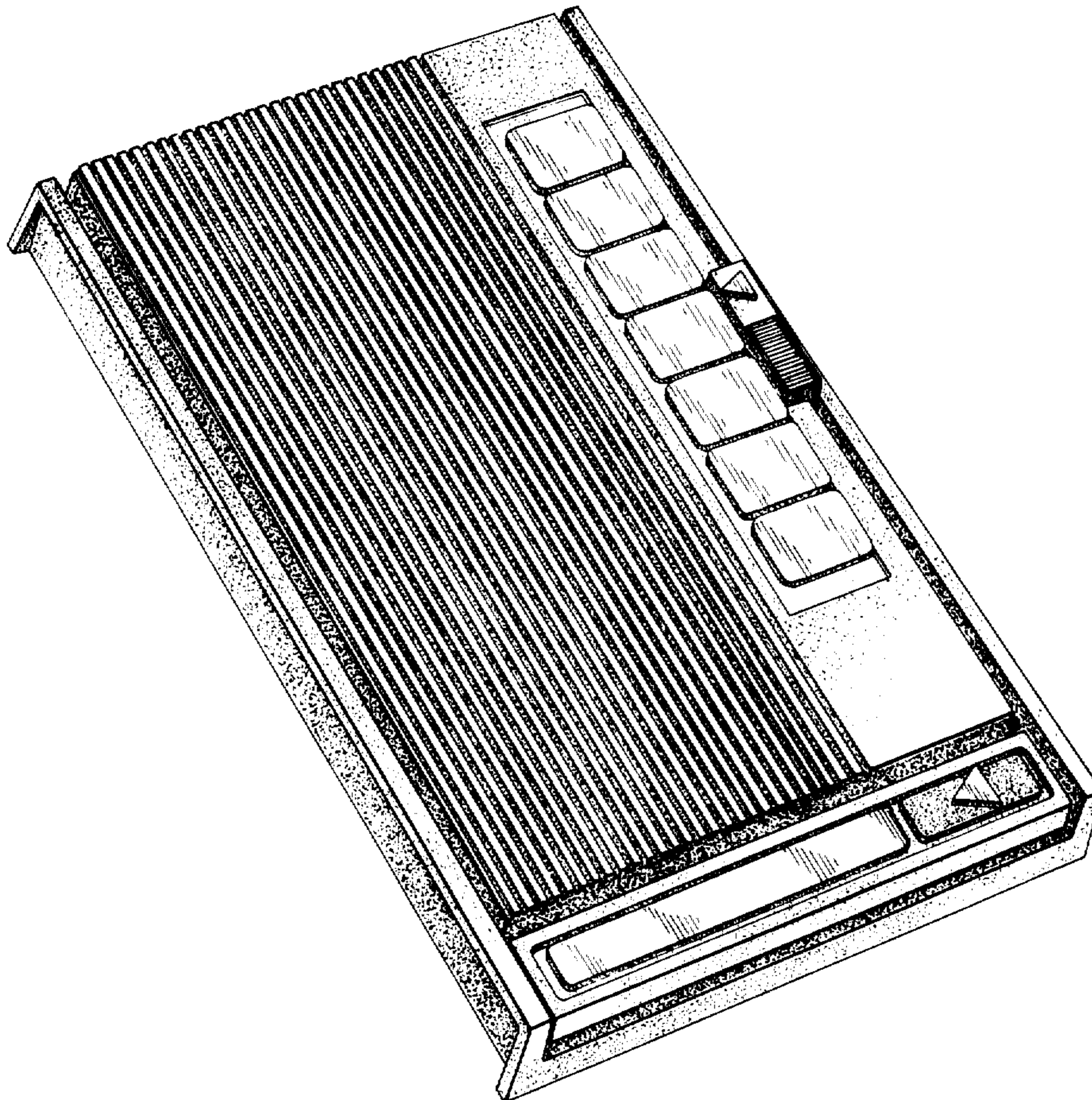
Primary Examiner—Joel Stearman
Assistant Examiner—George P. Word
Attorney, Agent, or Firm—Robert E. Burns

[57] CLAIM

The ornamental design for a telephone list finder, substantially as shown and described.

DESCRIPTION

FIG. 1 is a perspective view of a telephone list finder showing our new design;
FIG. 2 is a right side elevational view;
FIG. 3 is a bottom plan view, and
FIG. 4 is a perspective view showing the end opposite that shown in FIG. 1.



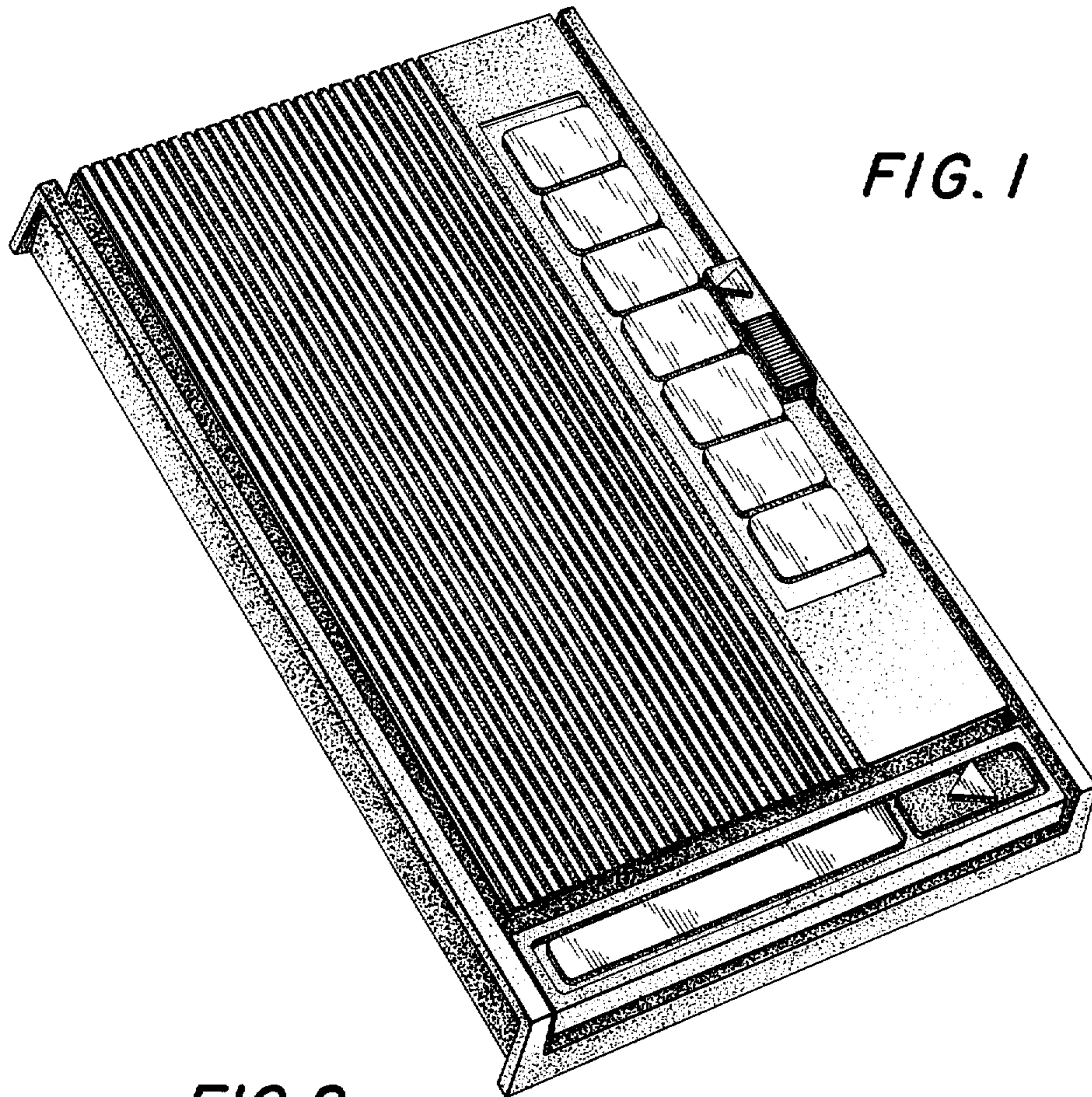
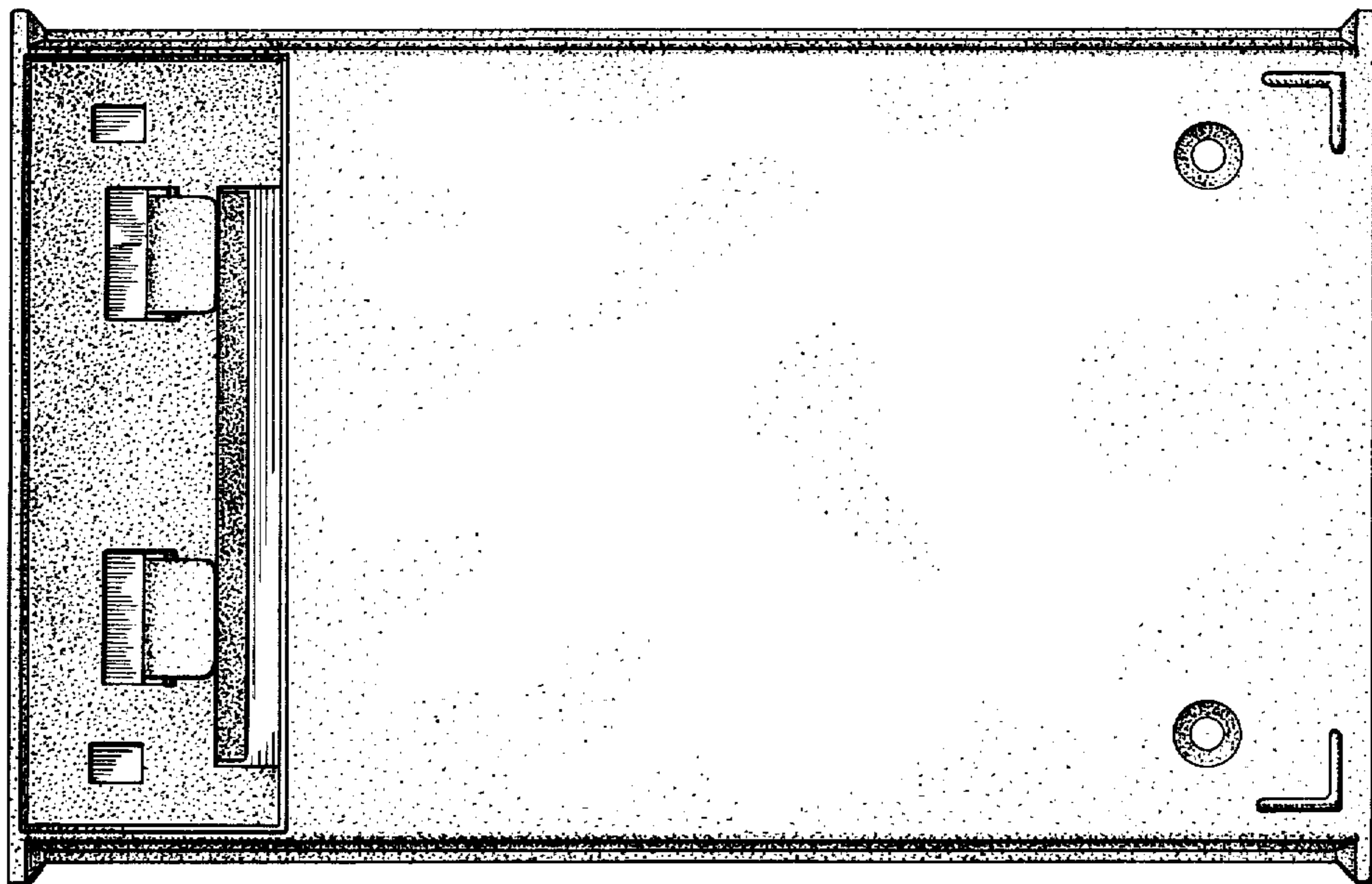


FIG. 2



FIG. 3



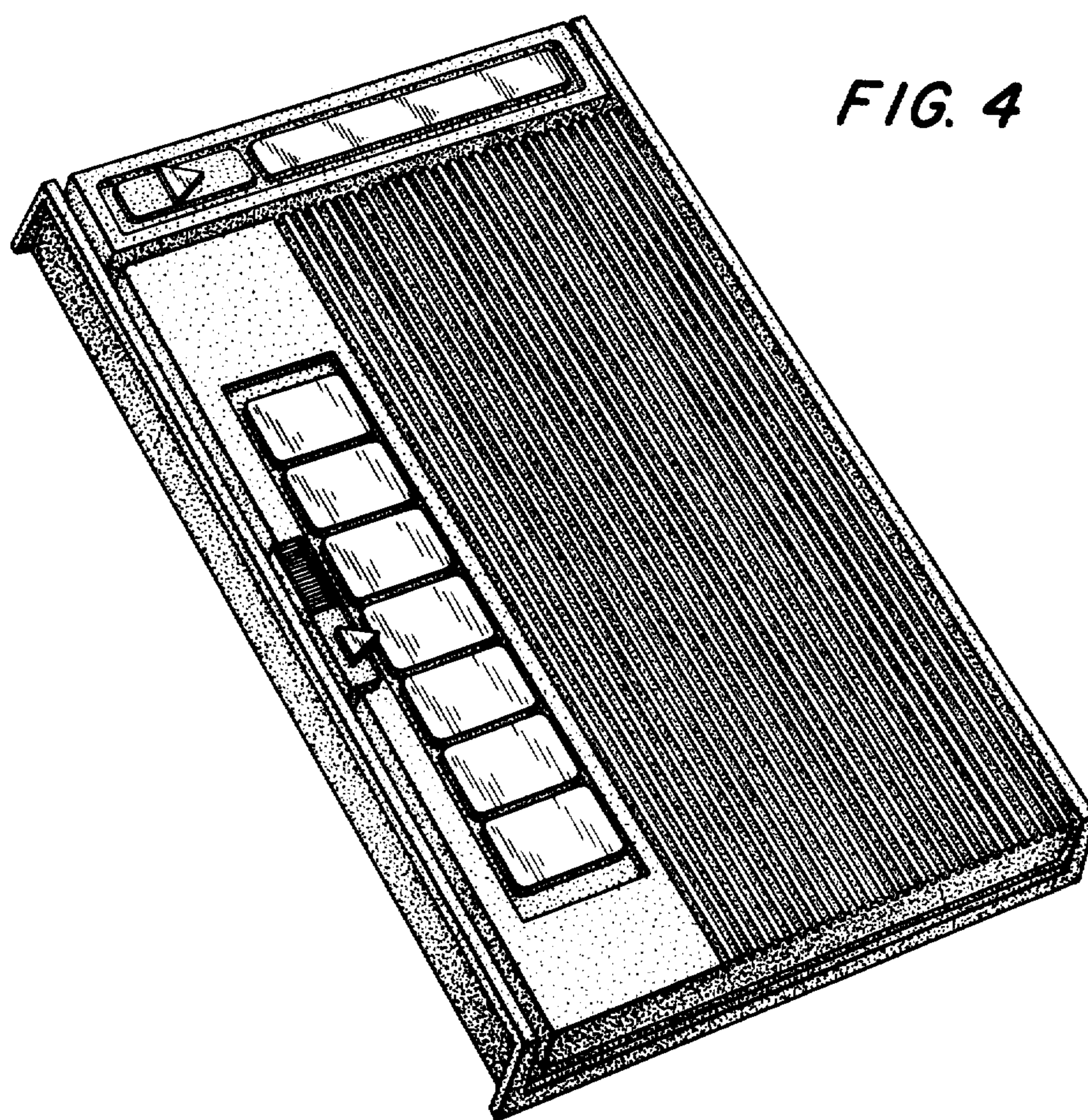


FIG. 4