

[54] DIGITAL CLOCK RADIO

[75] Inventor: Isshin Miyamoto, Fukuoka, Japan

[73] Assignee: Matsushita Electric Industrial Co.,
Ltd., Kadoma, Japan

[**] Term: 14 Years

[21] Appl. No.: 707,928

[22] Filed: Jul. 22, 1976

[30] Foreign Application Priority Data

Feb. 9, 1976 [JP] Japan 51-4107

[51] Int. Cl. D14-03

[52] U.S. Cl. D14/73; D10/15

[58] Field of Search D14/1, 2, 5-7,
D14/10, 14, 16-25, 27-30, 34, 68-77, 79-83, 96,
99; D10/2, 15

[56] References Cited

U.S. PATENT DOCUMENTS

D. 238,964 2/1976 Mishiro D10/15 X
D. 239,053 3/1976 Christie D14/73
D. 240,159 6/1976 Hoshino D10/15 X
D. 240,656 7/1976 Imai D14/73

OTHER PUBLICATIONS

Best Products '75 Buyer's Bk. #118, p. 294, item "E."

Primary Examiner—Joel Stearman

Assistant Examiner—J. Corrigan

Attorney, Agent, or Firm—Richard C. Sughrue

[57] CLAIM

The ornamental design for a digital clock radio, as shown.

DESCRIPTION

FIG. 1 is a front, top and right side perspective view of a digital clock radio showing my new design;

FIG. 2 is a rear, bottom and left side perspective view; and

FIG. 3 is a right side elevational view.

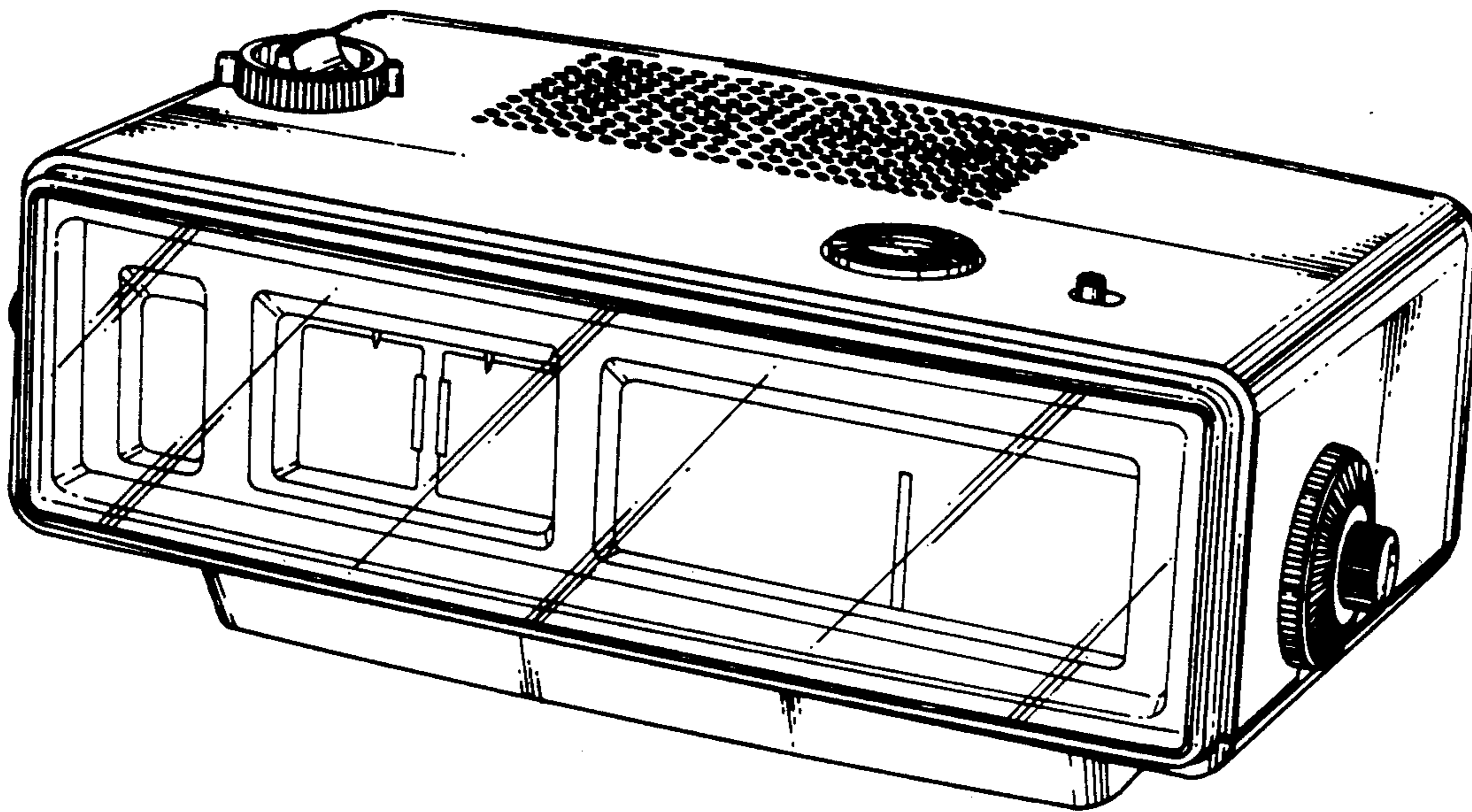


Fig. 1

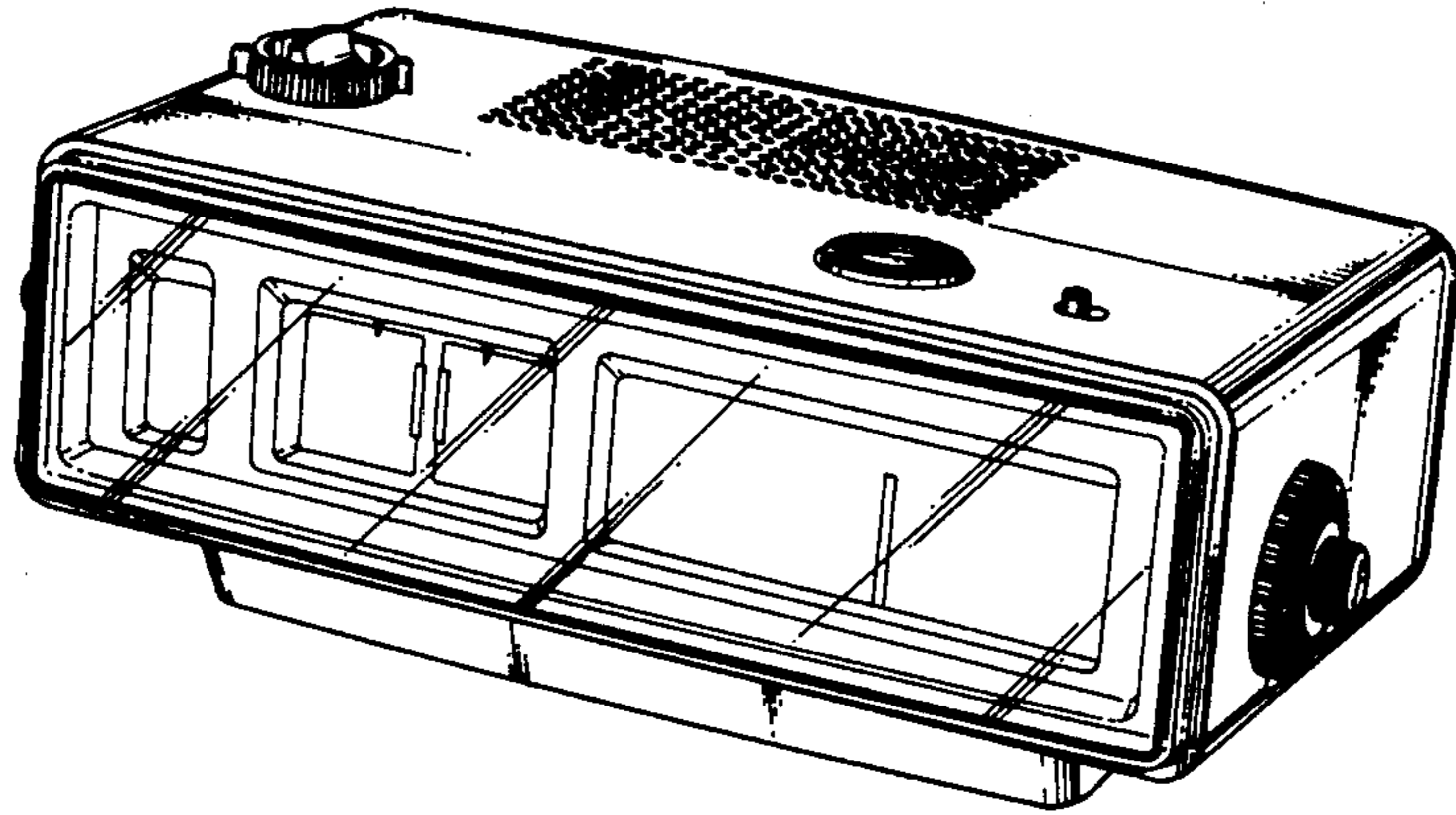


Fig. 2

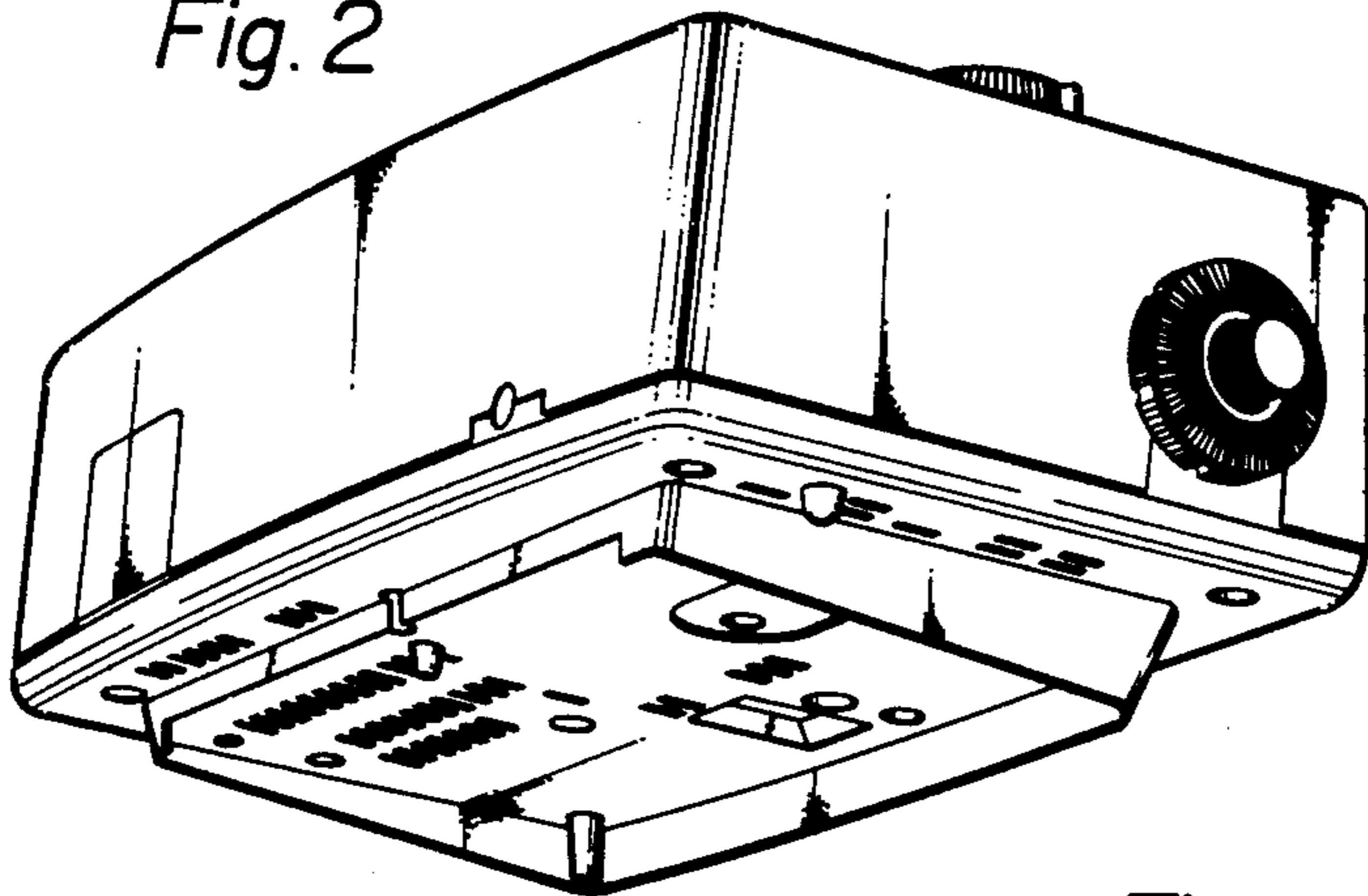


Fig. 3

