

[54] TELEPHONE ACCESSORY ADAPTER

[76] Inventors: Paul H. Landau; Harolyn S. Landau, both of 8632 W. Olympic Blvd., Los Angeles, Calif. 90035

[**] Term: 14 Years

[21] Appl. No.: 740,045

[22] Filed: Nov. 8, 1976

[51] Int. Cl. D14-03; D14-99

[52] U.S. Cl. D14/59

[58] Field of Search 179/146 R, 178, 179, 179/100 R, 100 D; D14/65, 59

[56] References Cited

U.S. PATENT DOCUMENTS

D. 154,762	8/1949	Forkapa	D14/59
D. 175,906	10/1955	Phillips	D14/59
D. 195,209	5/1963	Mourra	D14/59

2,879,342	3/1959	Bagley	179/146 R
2,911,485	11/1959	Harris	179/146 R
3,022,386	2/1962	Ireland	179/146 R
3,654,405	4/1972	Hanson et al.	179/146 R

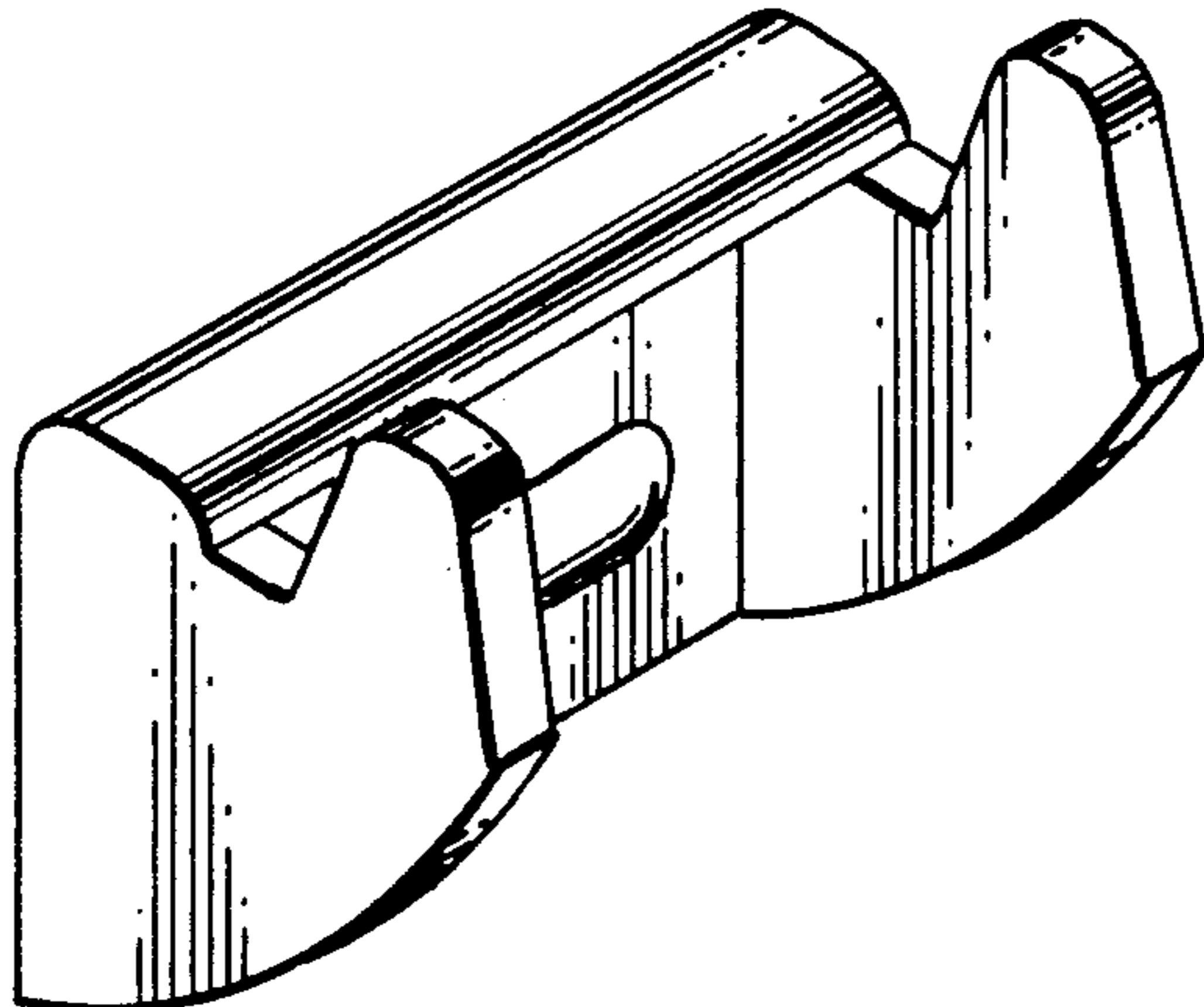
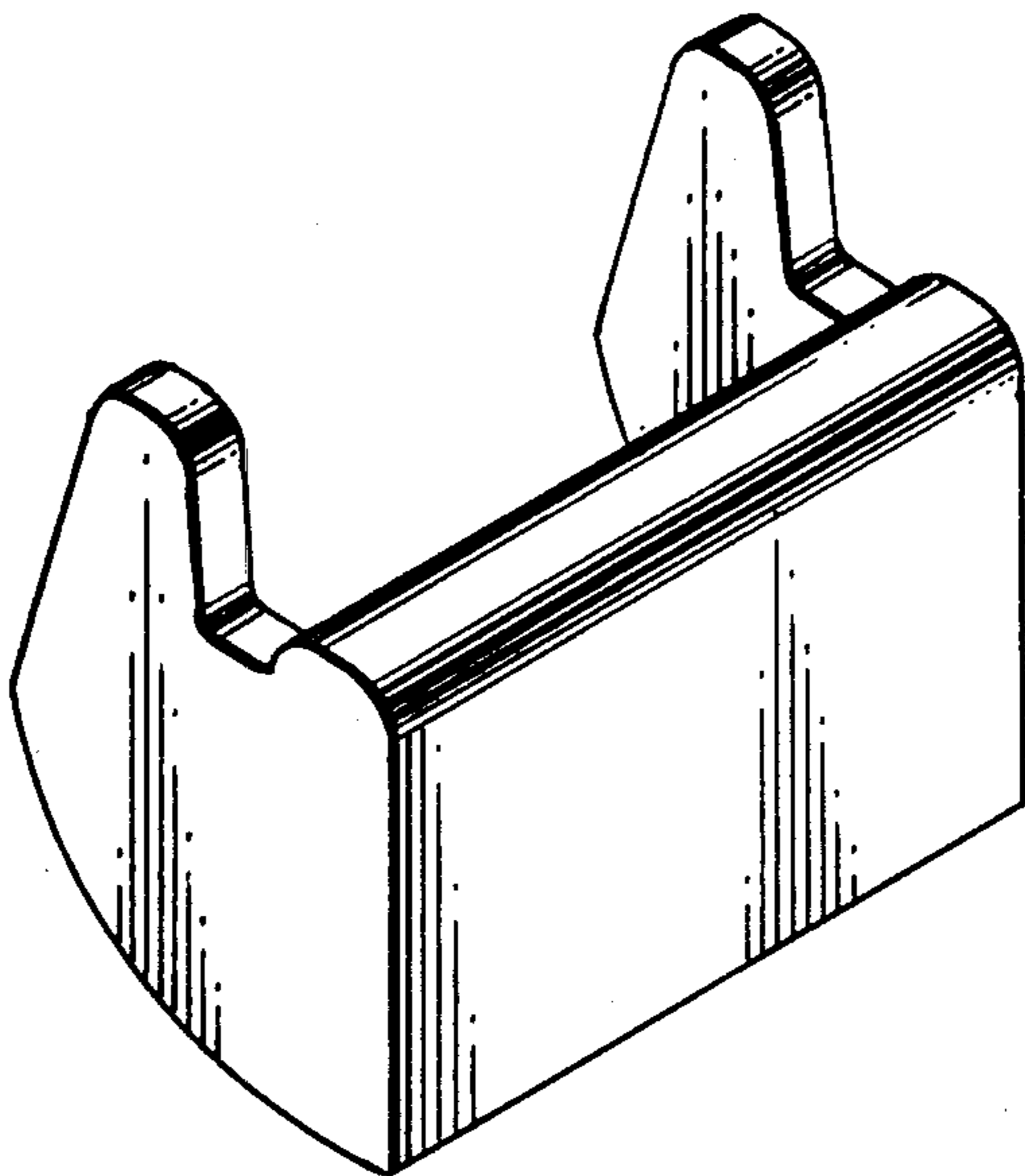
Primary Examiner—Bernard Ansher
Attorney, Agent, or Firm—Roger A. Marrs

[57] CLAIM

The ornamental design for a telephone accessory adapter, substantially as shown.

DESCRIPTION

FIG. 1 is a front perspective view showing our new design for a telephone accessory adapter; FIG. 2 is a rear perspective view thereof; FIG. 3 is a side elevational view thereof; FIG. 4 is a rear elevational view thereof; FIG. 5 is a top plan view thereof; FIG. 6 is a bottom plan view thereof; and FIG. 7 is a front elevational view thereof.



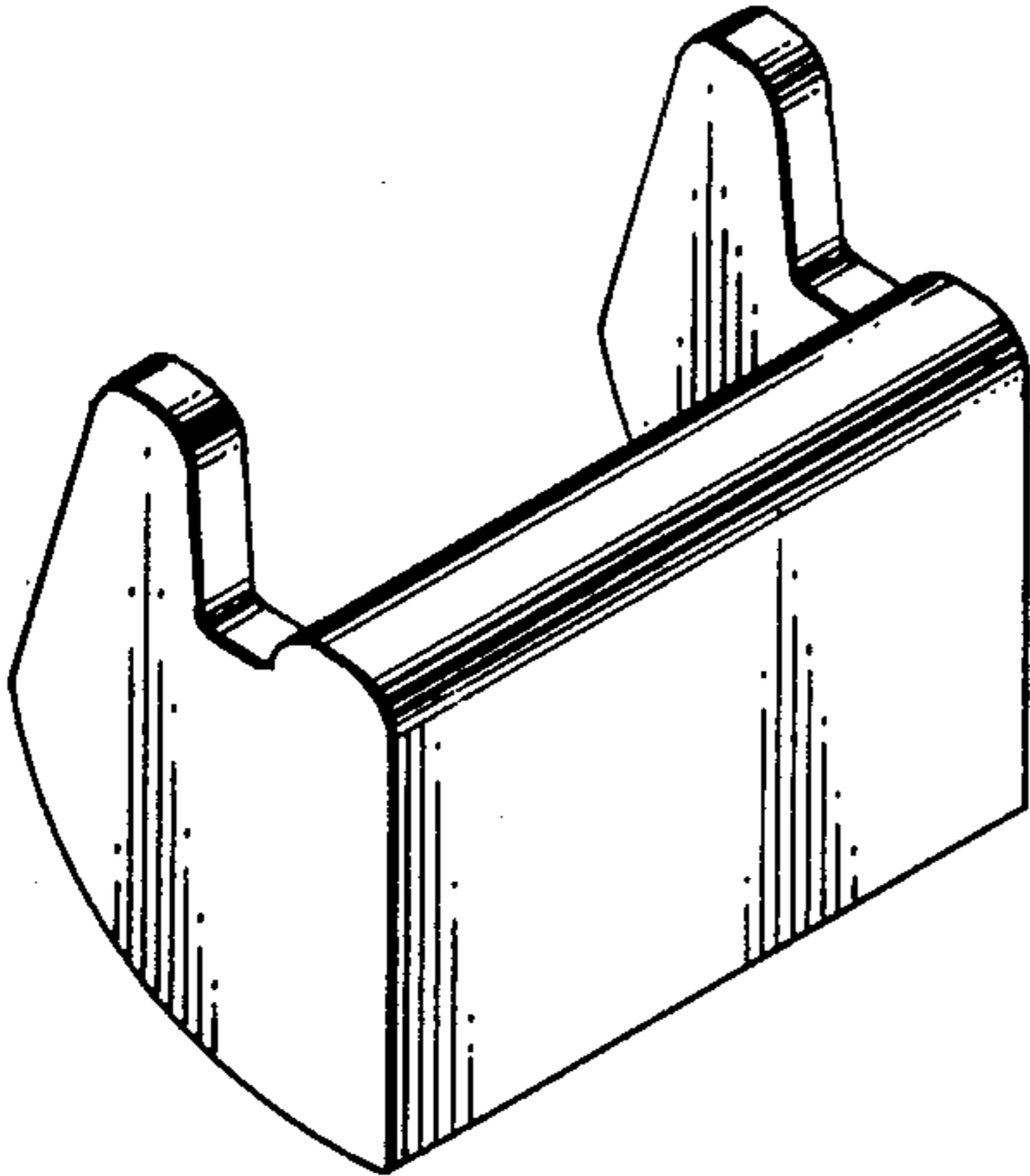


Fig. 1

Fig. 3

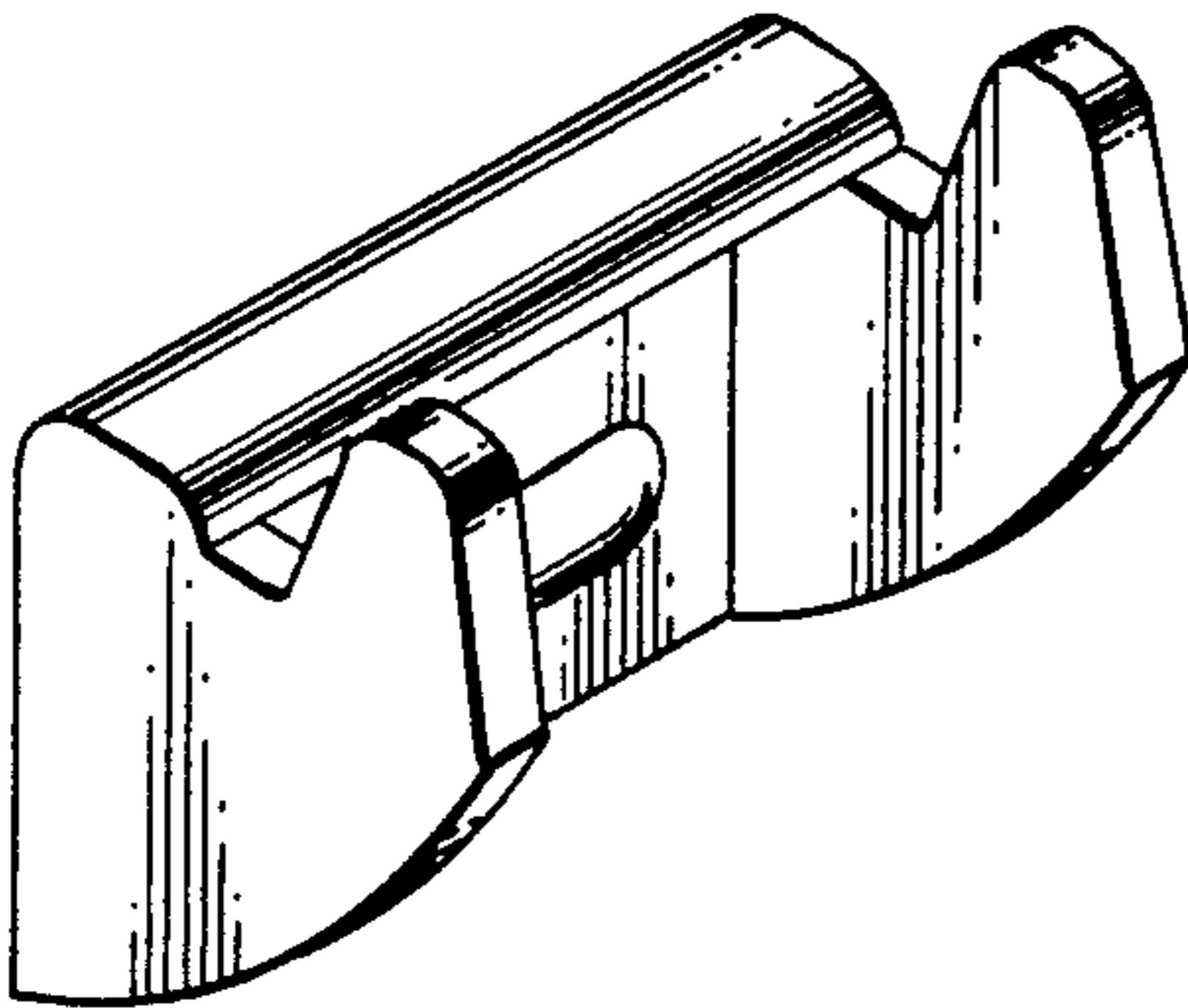
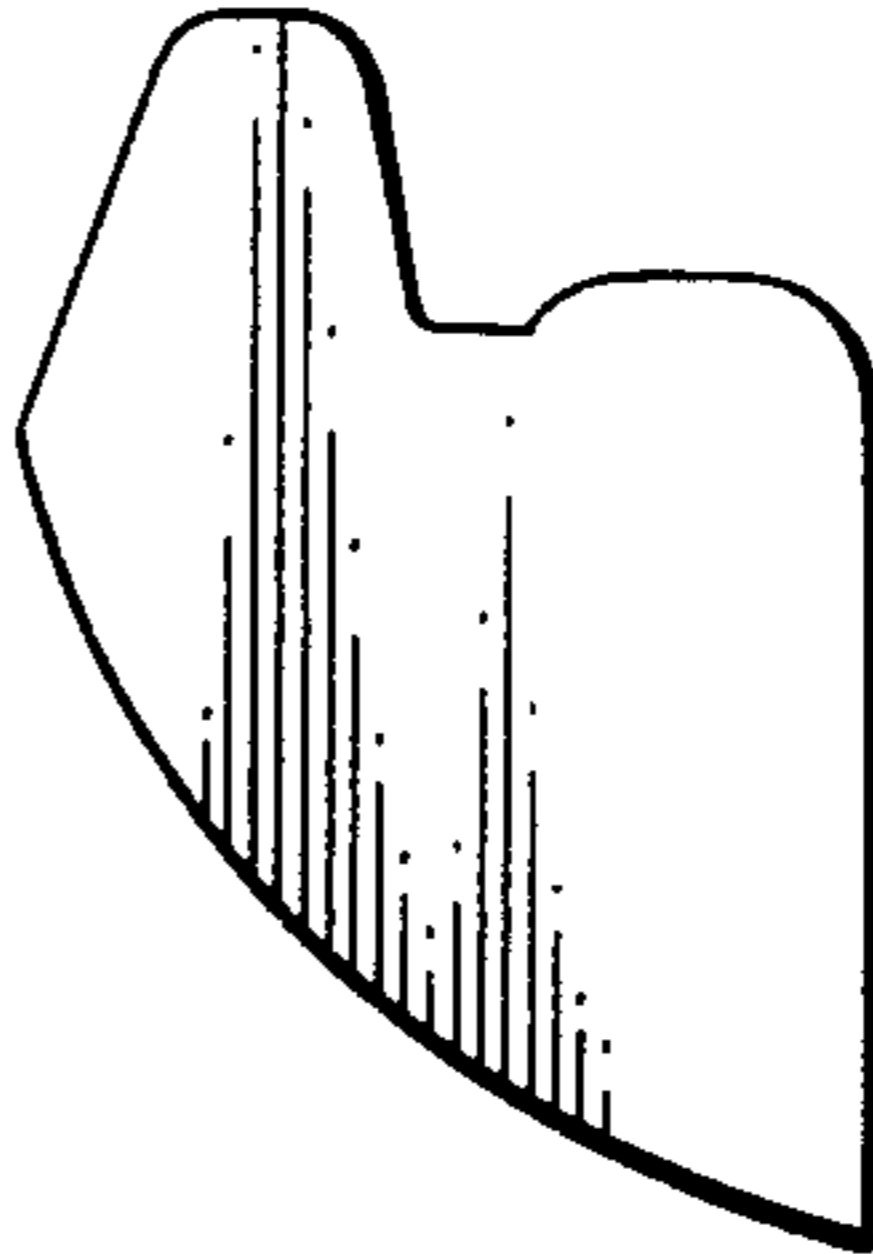


Fig. 2

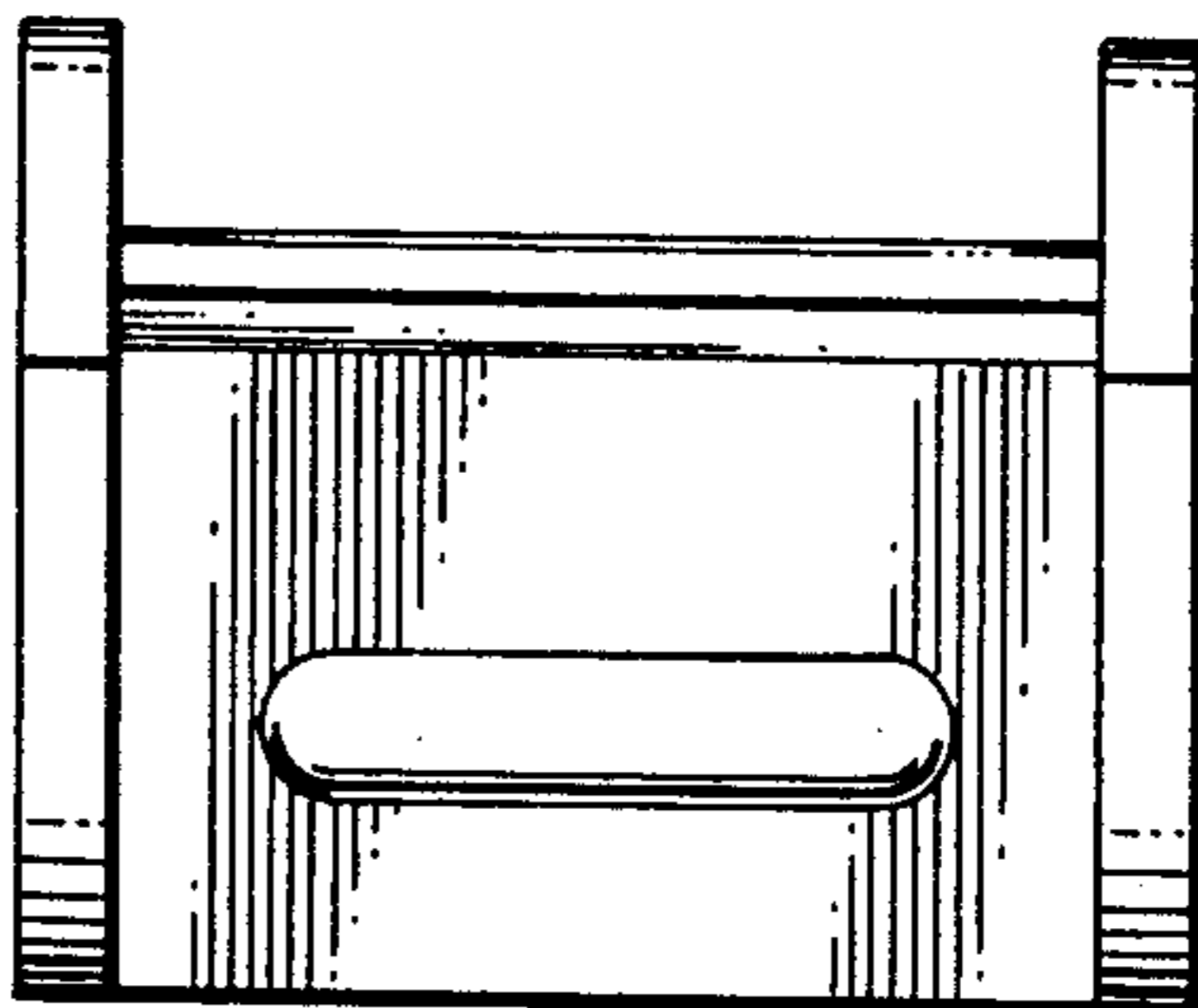


Fig. 4

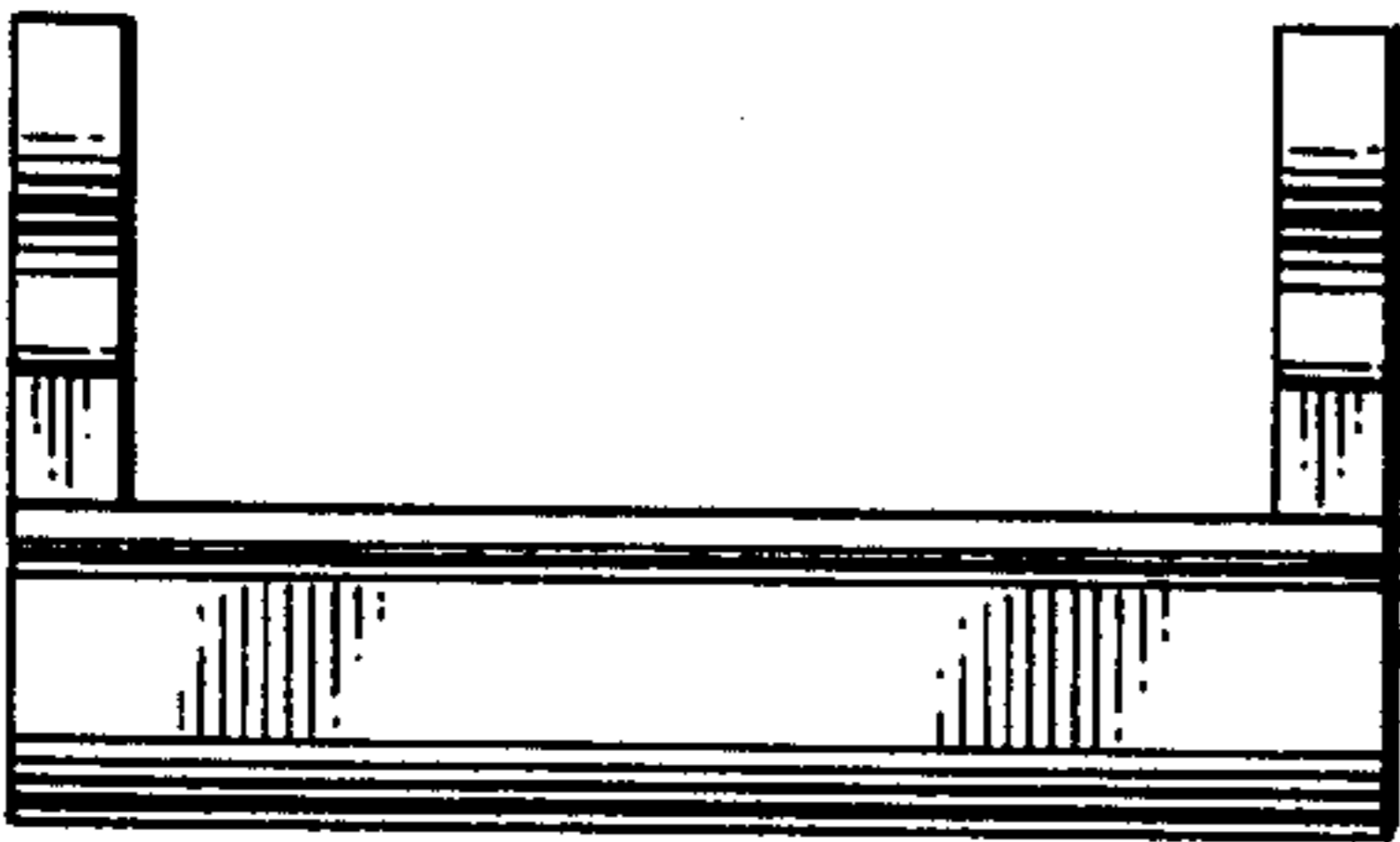


Fig. 5

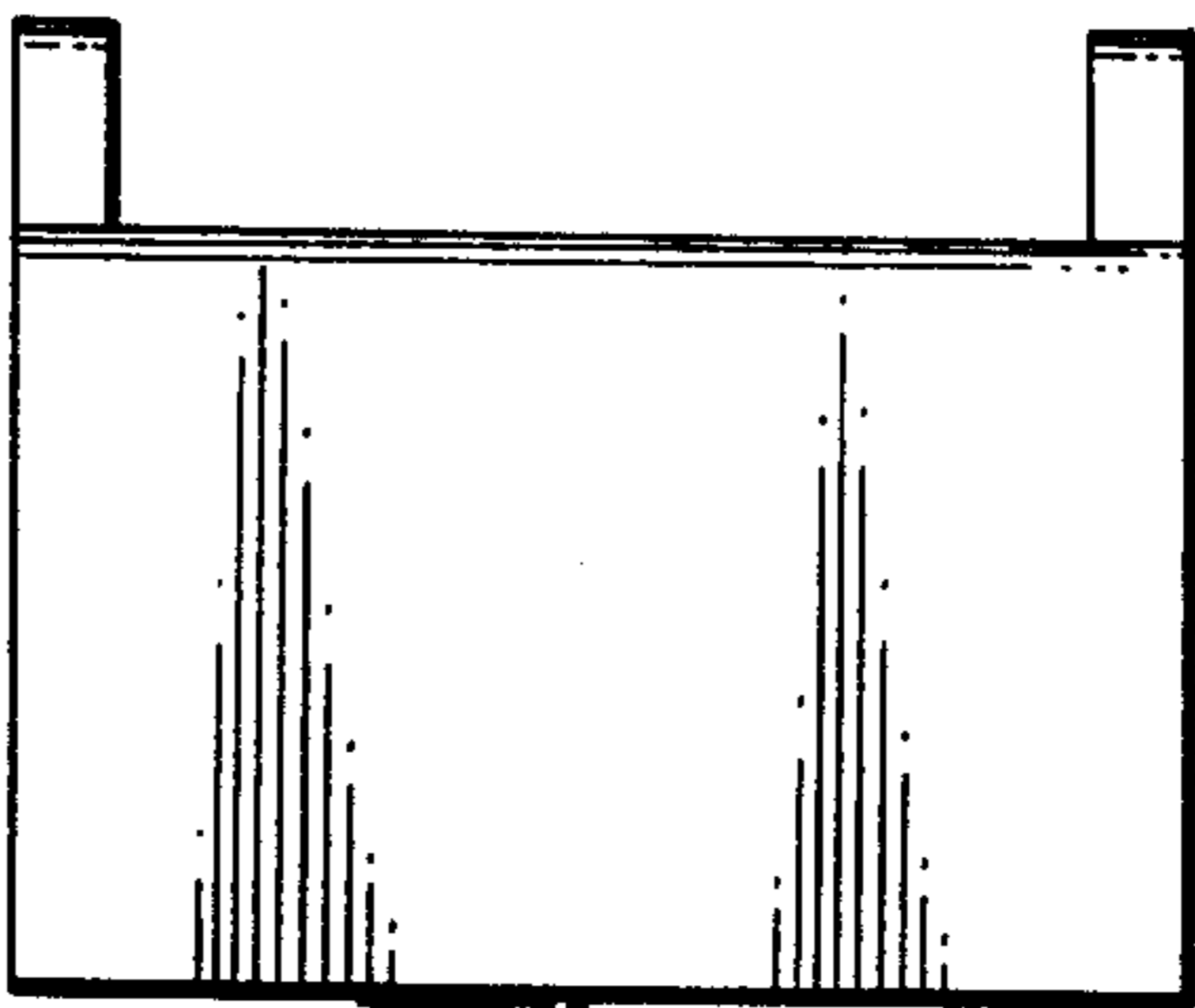


Fig. 7

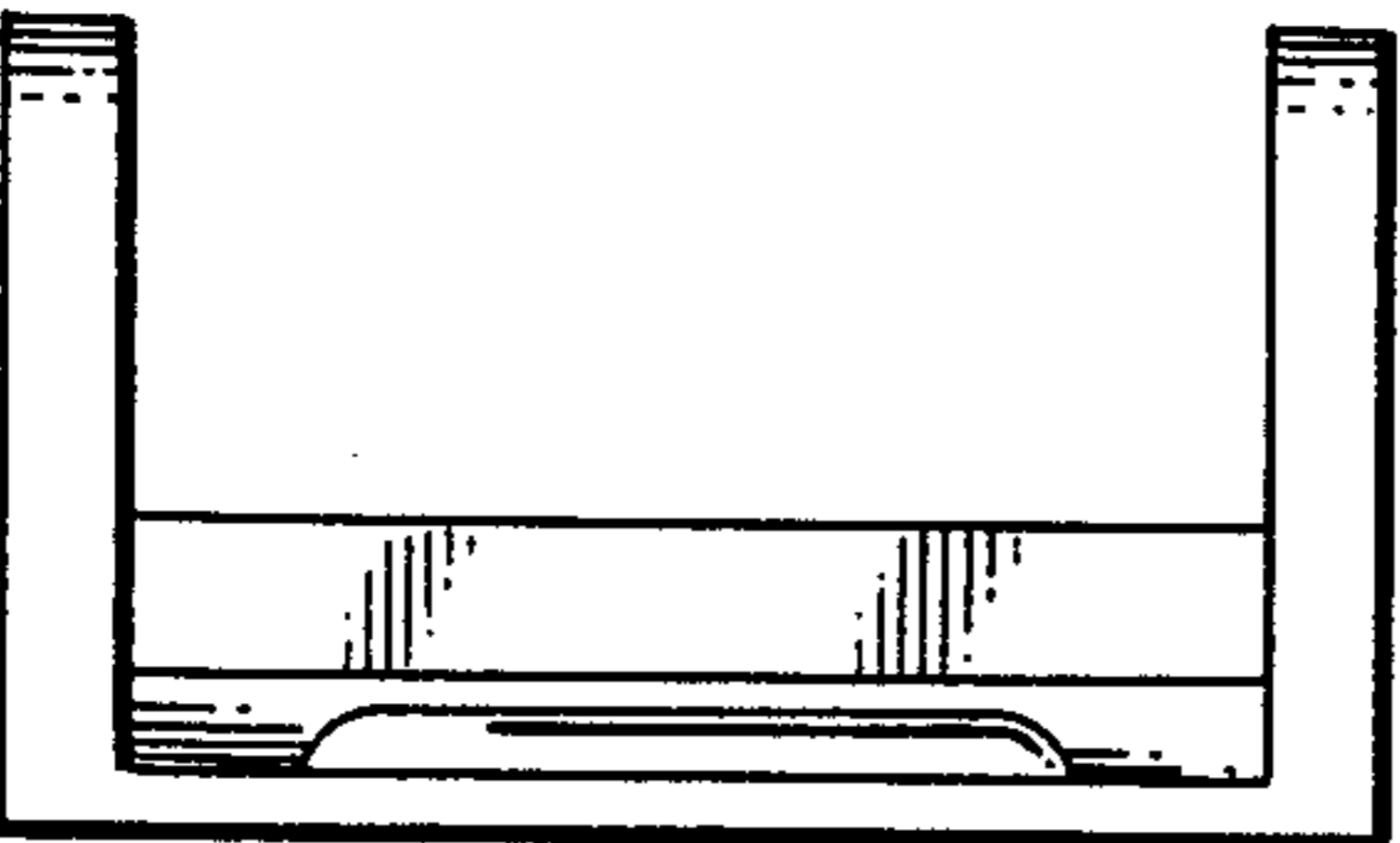


Fig. 6