

[54] **MATCHING TRANSFORMER** 3,983,563 9/1976 Nakayama 343/861

[75] Inventor: **Jing-Jong Lin, Tai Chung, Taiwan**

[73] Assignee: **Fulet Enterprise Co., Ltd., Taipei Hsien, Taiwan**

[**] Term: **14 Years**

[21] Appl. No.: **722,373**

[22] Filed: **Sep. 13, 1976**

[51] Int. Cl. **D13—02; D14—03**

[52] U.S. Cl. **D13/4; D14/90**

[58] Field of Search **333/73 C, 77; 343/859, 343/860, 861, 862, 906, 905; D13/4; D14/90, 66**

[56] **References Cited**

U.S. PATENT DOCUMENTS

D. 184,470 2/1959 Zucconi D13/4

2,187,014 1/1940 Buschbeck et al. 343/859 X

OTHER PUBLICATIONS

Radio Shack 1976 Electronics Cat., © 1975, p. 123, Item F, Matching Transformer.

Primary Examiner—Bernard Ansher
Attorney, Agent, or Firm—Joseph R. Magnone

[57] **CLAIM**

The ornamental design for a matching transformer, substantially as shown and described.

DESCRIPTION

FIG. 1 is a top plan view of a matching transformer showing my new design;

FIG. 2 is a front elevational view thereof;

FIG. 3 is a left side elevational view thereof;

FIG. 4 is a right side elevational view thereof; and

FIG. 5 is a front perspective view thereof.

The broken lines are shown for illustrative purposes only.

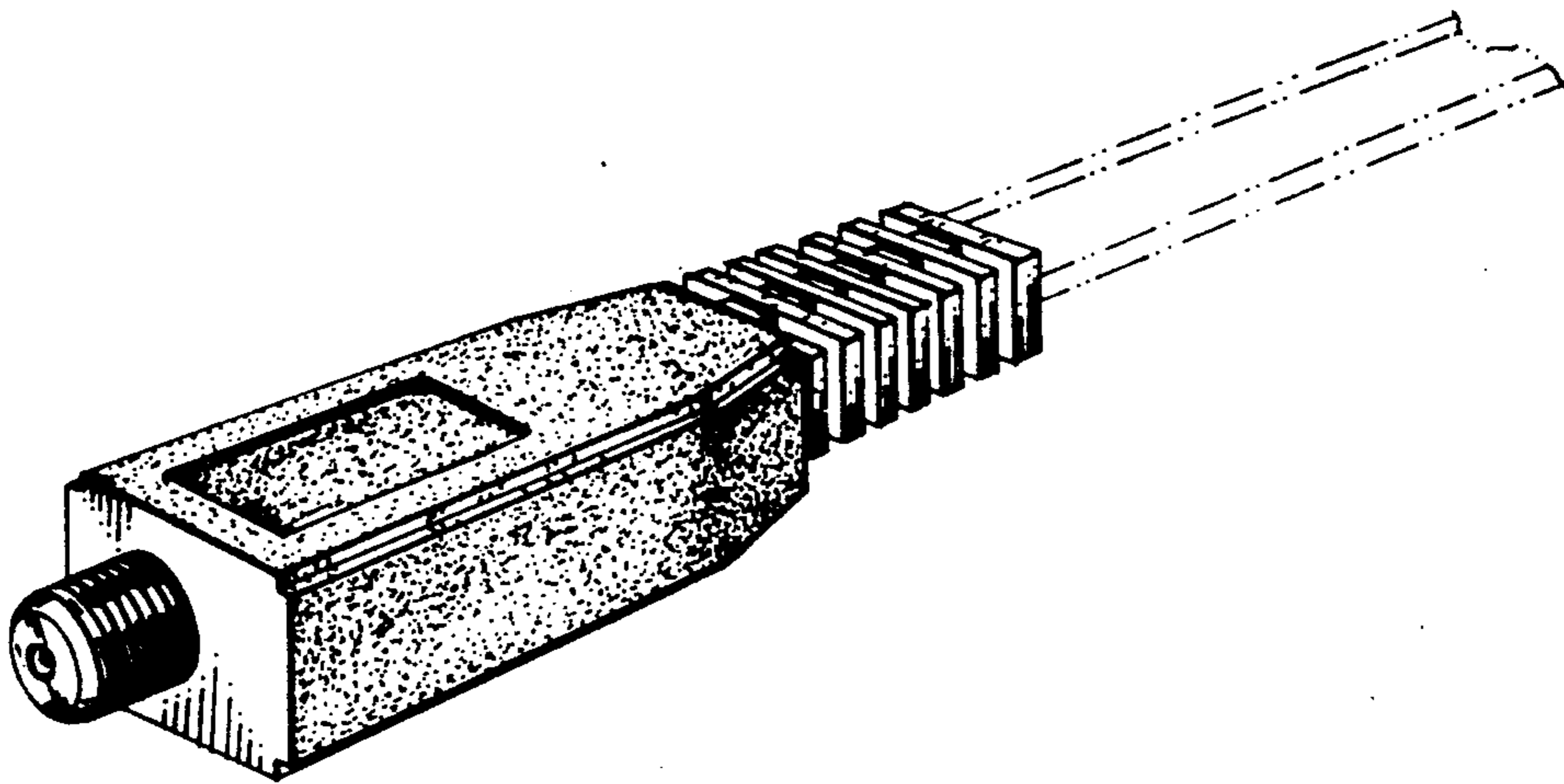


FIG. 1

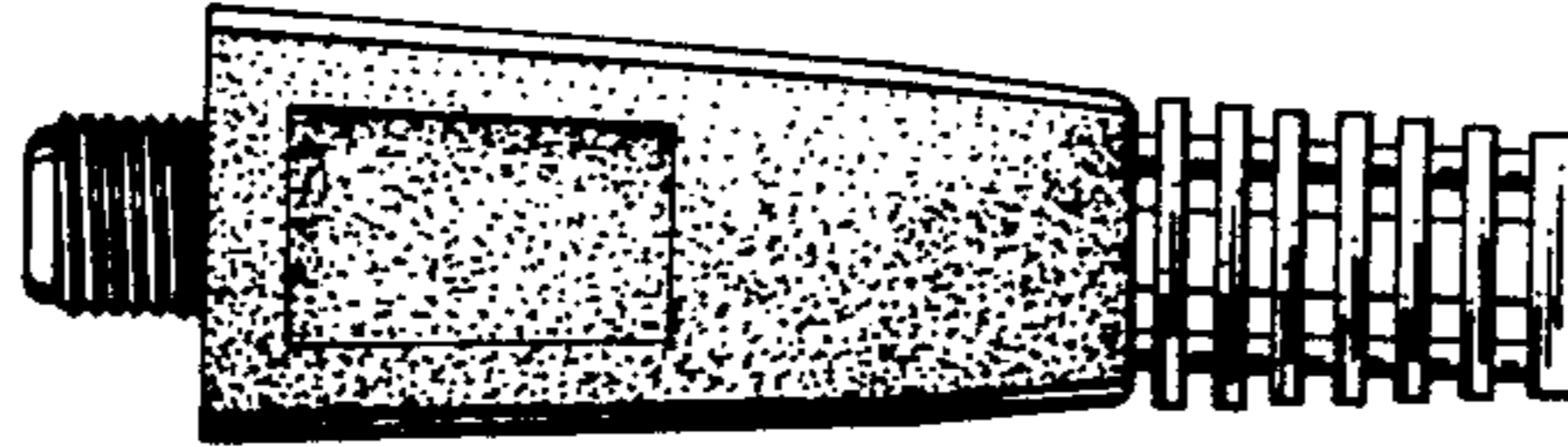


FIG. 2

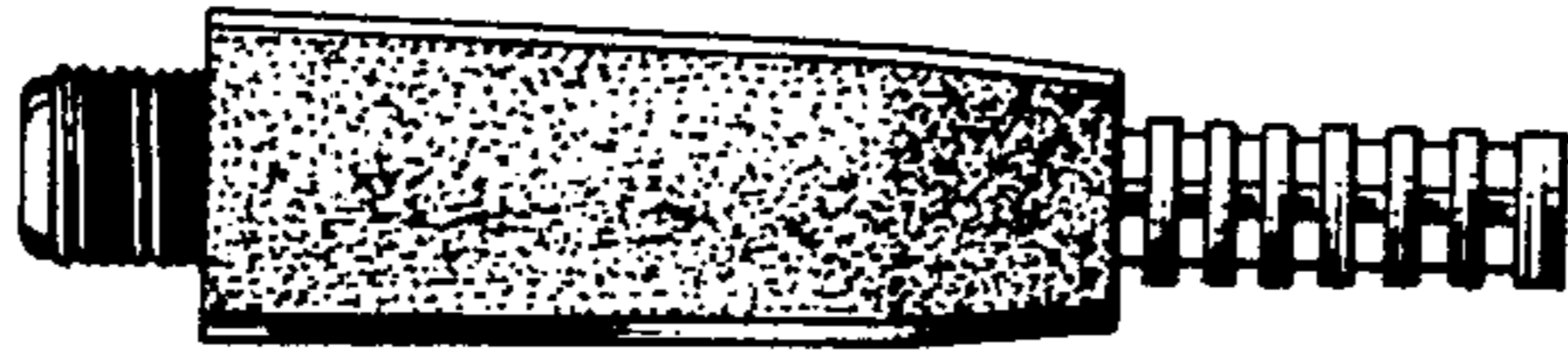


FIG. 3

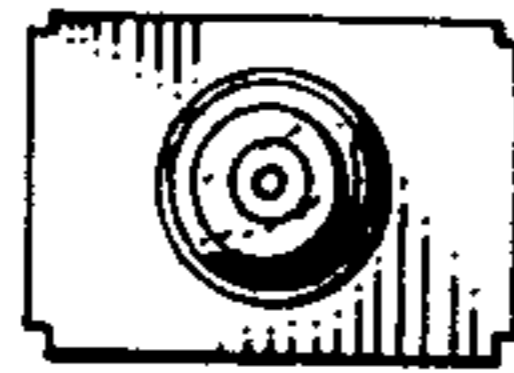


FIG. 4

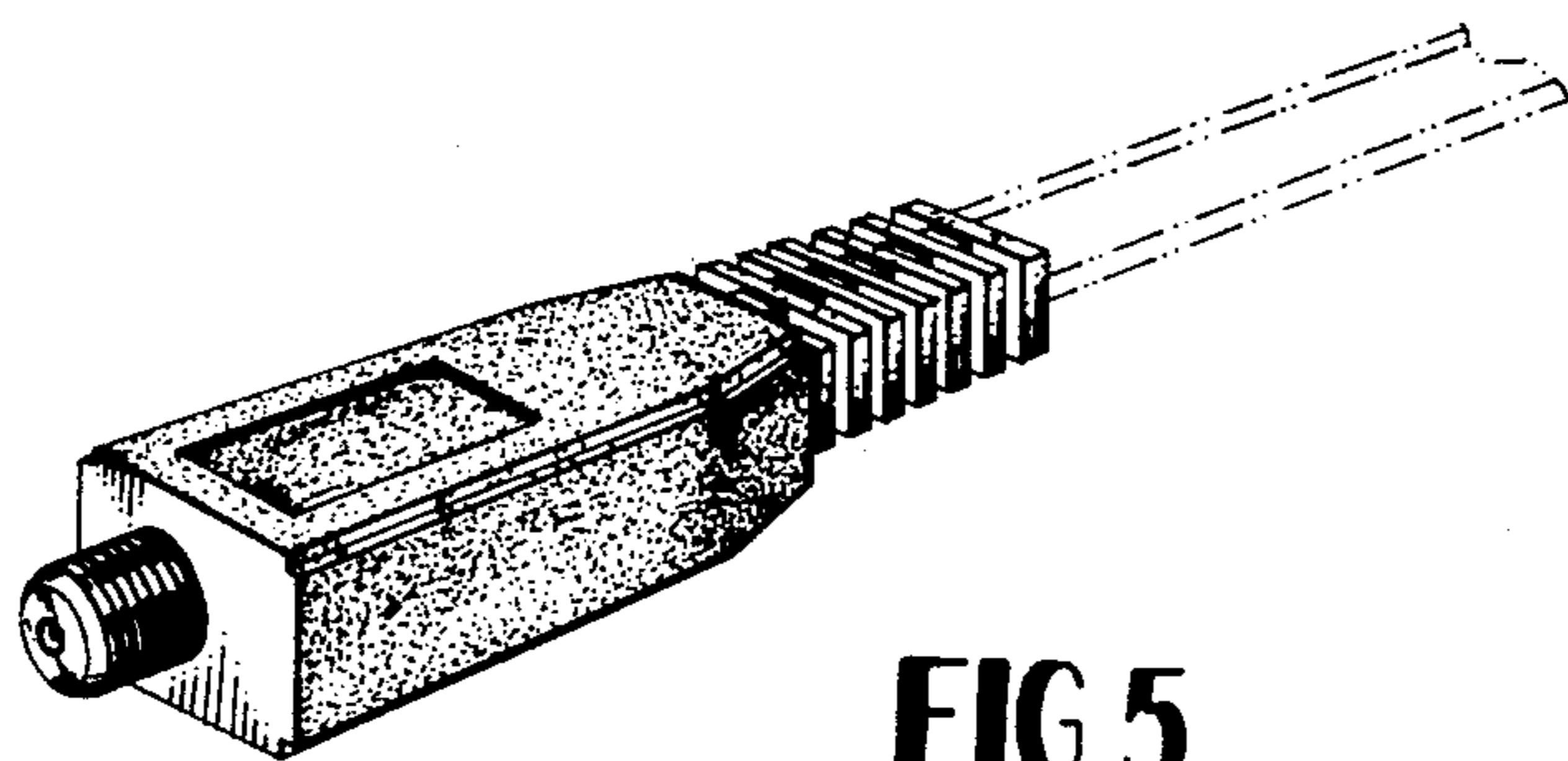
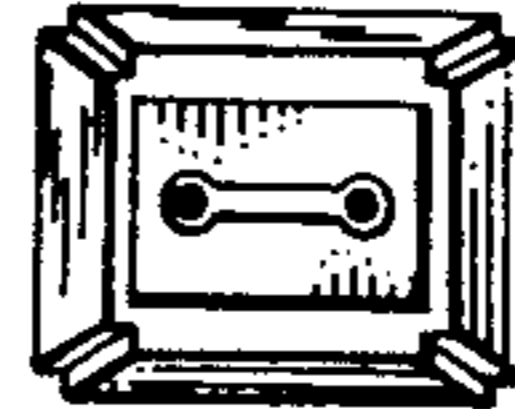


FIG. 5