

[54] MEASURING TAPE REEL HOLDER

[76] Inventor: David M. Stookey, 408 Oak Grove Cir., Anaheim, Calif. 92807

[**] Term: 14 Years

[21] Appl. No.: 702,224

[22] Filed: Jul. 2, 1976

[51] Int. Cl. D10-04

[52] U.S. Cl. D10/74; D8/394

[58] Field of Search D8/358, 359, 394, 354, D8/359; 242/96, 106, 85, 84.8; 224/5 F; D10/72, 74

3,185,407 5/1965 Lichtenstein 242/96

3,261,567 7/1966 Quenot 242/84.8

3,520,487 7/1970 Quenot 242/84.8

Primary Examiner—Wallace R. Burke
 Assistant Examiner—James M. Gandy
 Attorney, Agent, or Firm—Harvey C. Nienow

[57] CLAIM

The ornamental design for a measuring tape reel holder, as shown.

DESCRIPTION

FIG. 1 is a side elevational view of my new measuring tape reel holder, the opposite side being substantially identical thereto;

FIG. 2 is a top plan view thereof;

FIG. 3 is a view in front elevation thereof;

FIG. 4 is a view in rear elevation thereof; and

FIG. 5 is a bottom plan view thereof.

[56] References Cited

U.S. PATENT DOCUMENTS

D. 31,665 10/1899 McKay D8/354

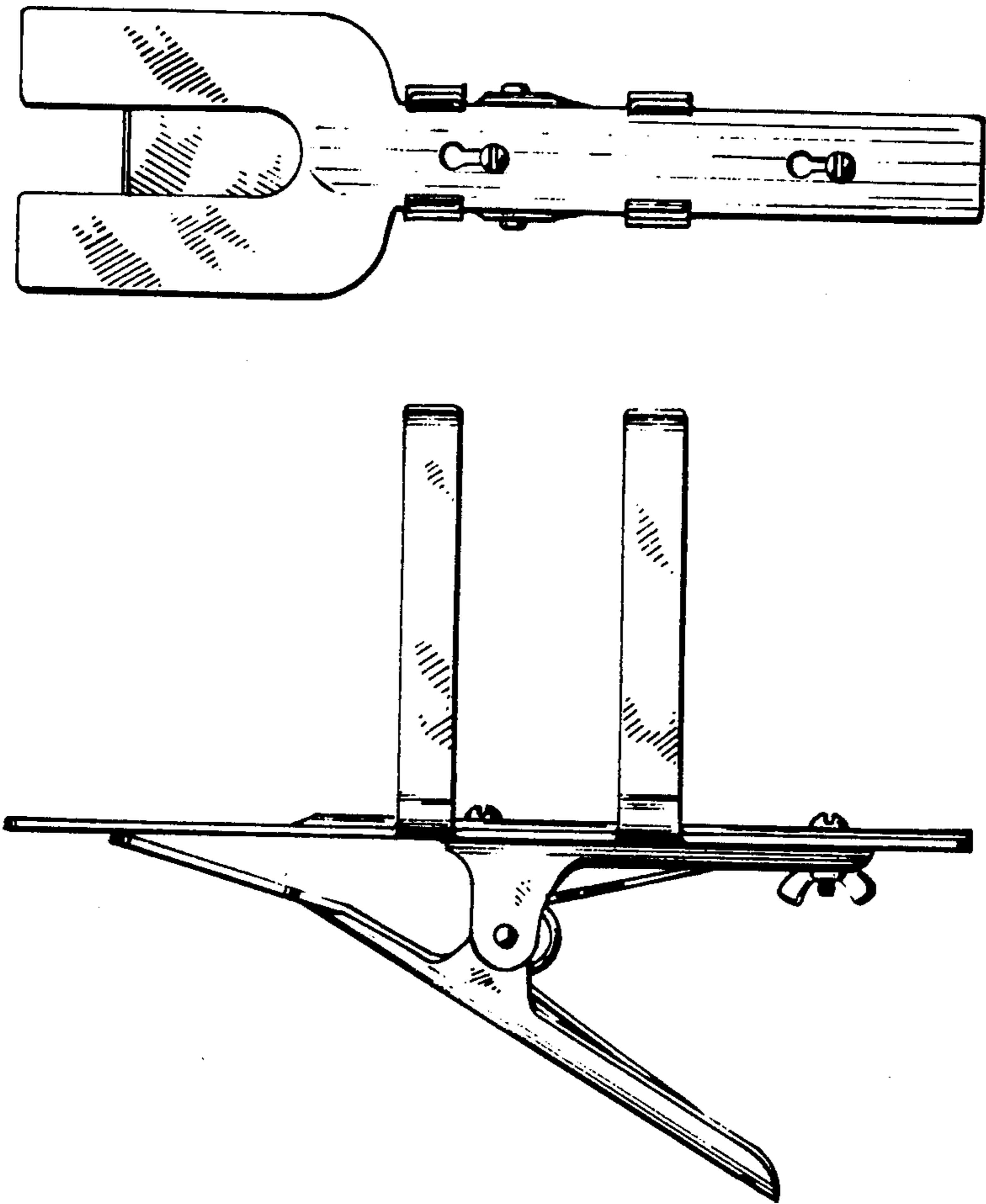


FIG. 2

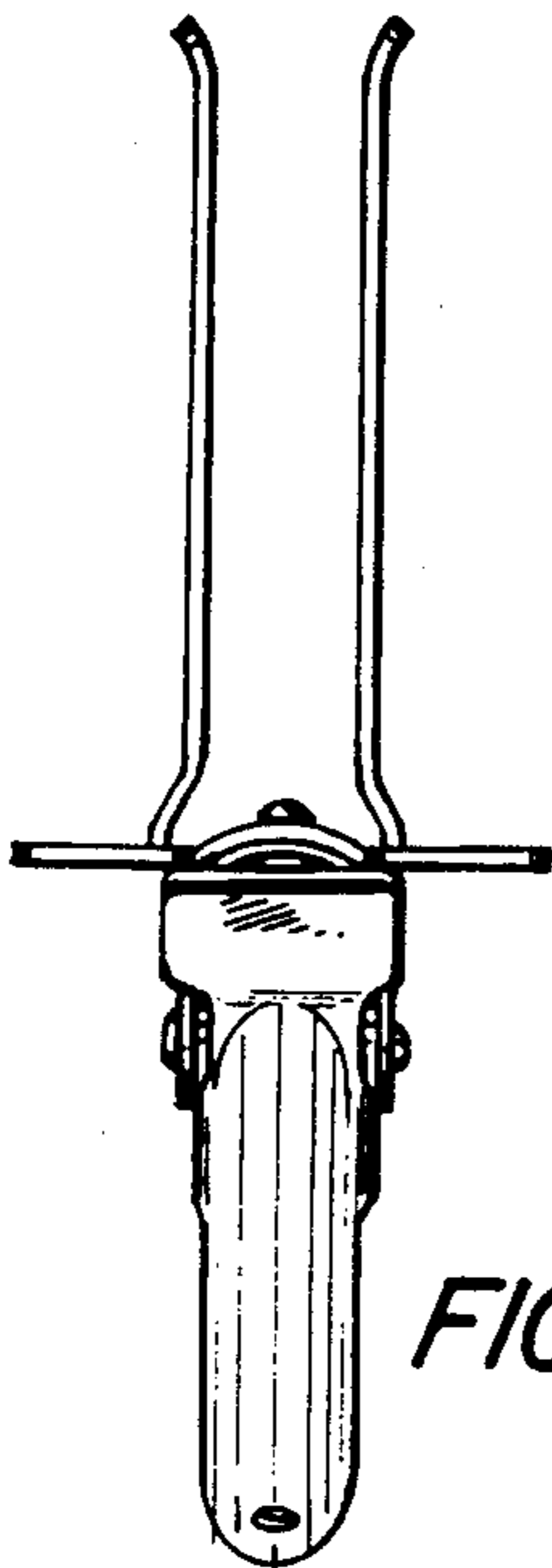
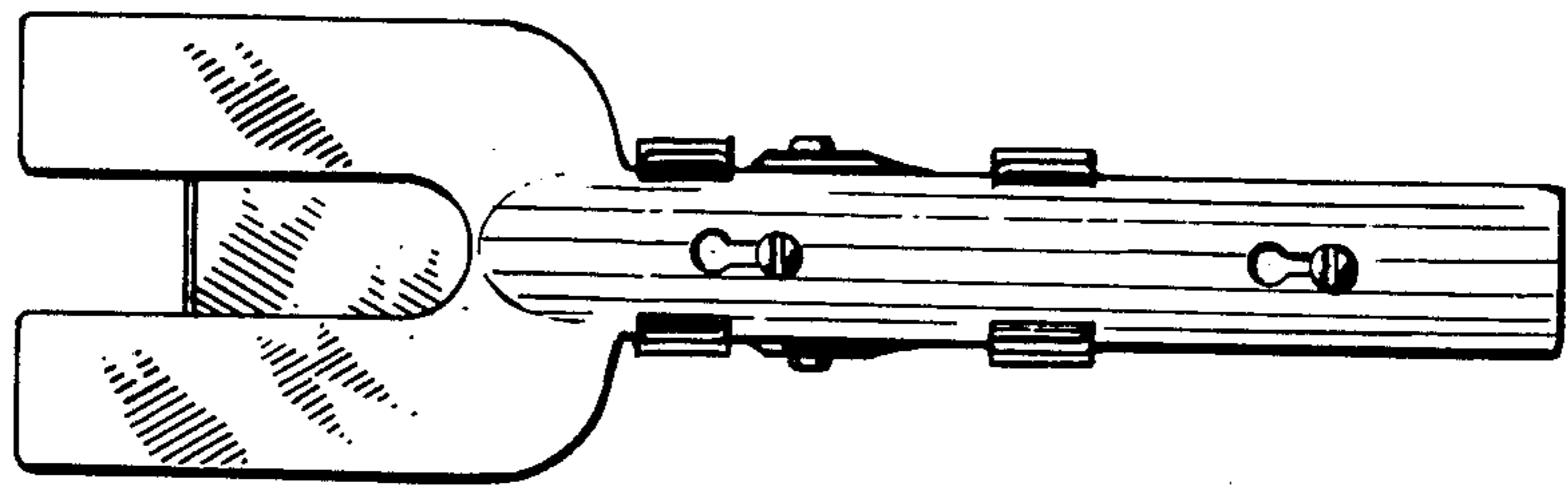


FIG. 3

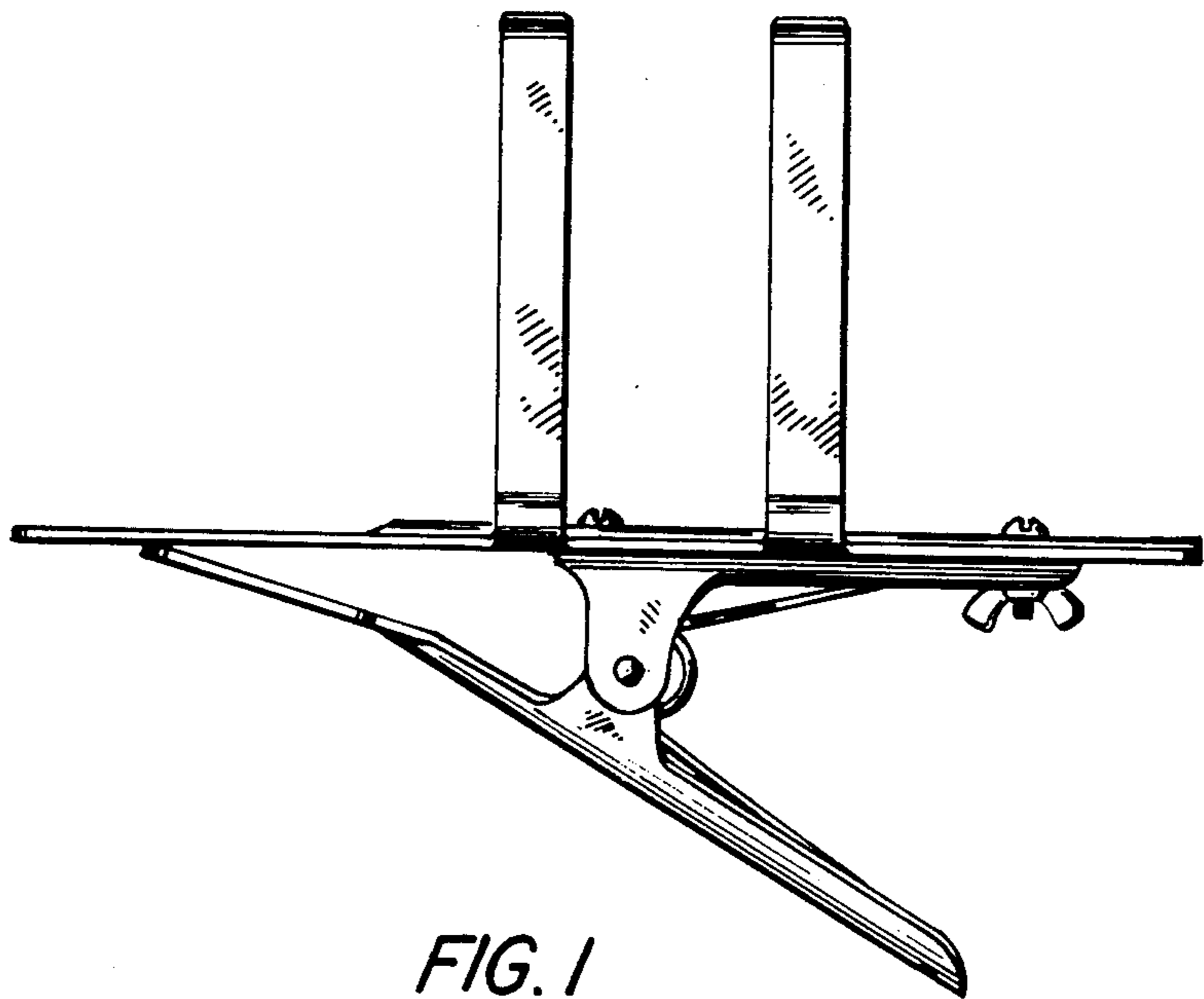


FIG. 1

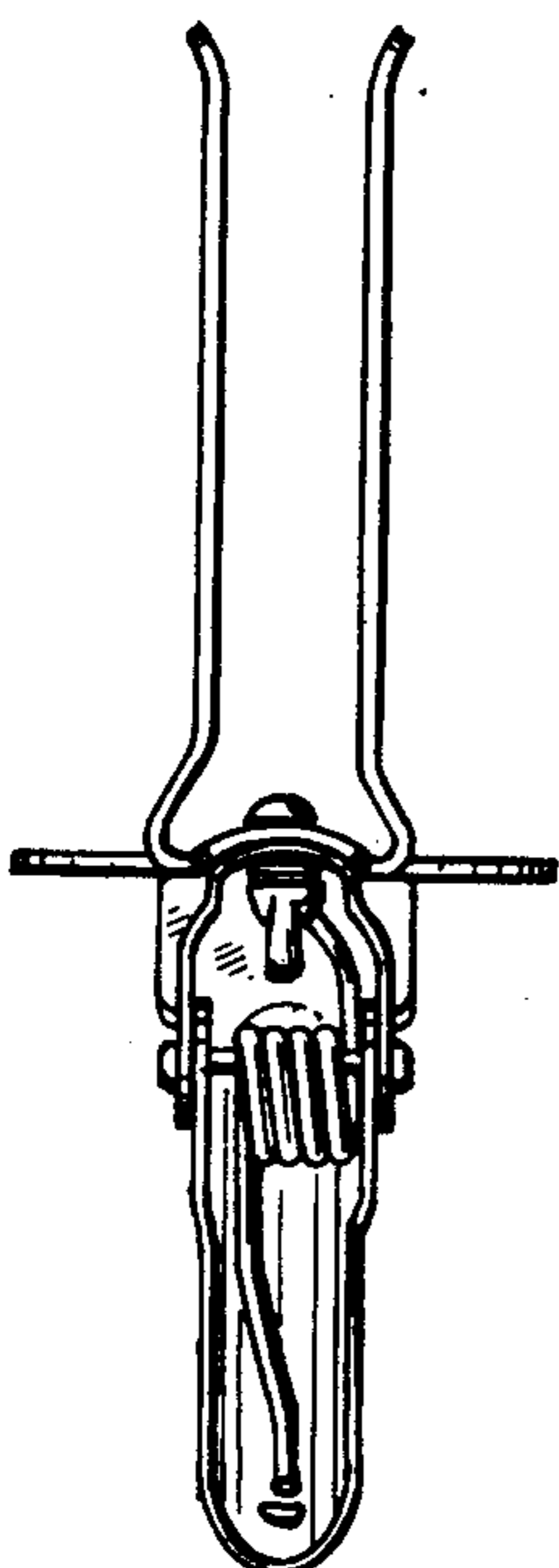


FIG. 4

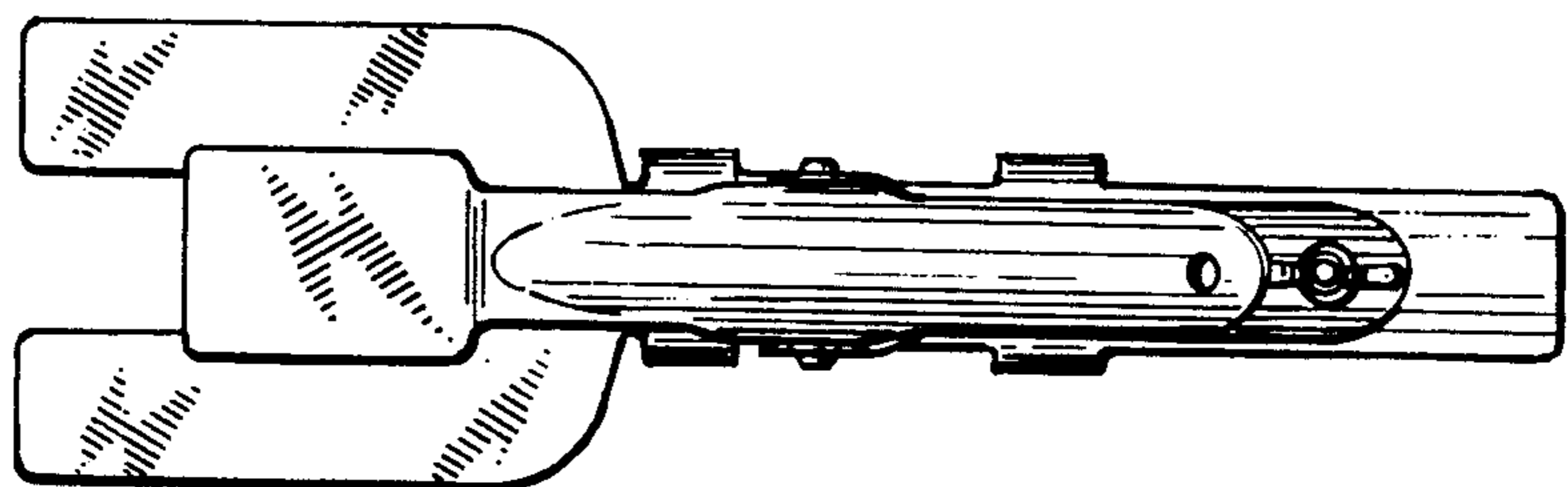


FIG. 5

UNITED STATES PATENT OFFICE
CERTIFICATE OF CORRECTION

Patent No. Des. 249,128 Dated August 29, 1978

Inventor(s) DAVID M. STOOKEY

It is certified that error appears in the above-identified patent and that said Letters Patent are hereby corrected as shown below:

"Attorney, Agent, or Firm -" should read -- Grover A. Frater--

Signed and Sealed this

Ninth Day of September 1980

[SEAL]

Attest:

SIDNEY A. DIAMOND

Attesting Officer

Commissioner of Patents and Trademarks