

[54] AUTOMATIC PILL REMINDER OR SIMILAR ARTICLE

[75] Inventors: Irvin E. Wright, Temecula; Robert O. Magnussen, Jr., Walnut, both of Calif.

[73] Assignee: Caltime Products Corp., Temecula, Calif.

[**] Term: 14 Years

[21] Appl. No.: 681,607

[22] Filed: Apr. 29, 1976

[51] Int. Cl. D10-04

[52] U.S. Cl. D10/40

[58] Field of Search D10/2, 40, 116; 58/39.5, 152 R; D9/184, 185, 187, 189; D2/400; D14/68, 92; 206/538, 229; 221/3, 15; D27/46-48

[56] References Cited

U.S. PATENT DOCUMENTS

D. 228,039	7/1973	Wood	D27/47
D. 236,817	9/1975	Sweany	D10/116
3,722,742	3/1973	Wertz	221/15
3,968,900	7/1976	Stambuk	221/15

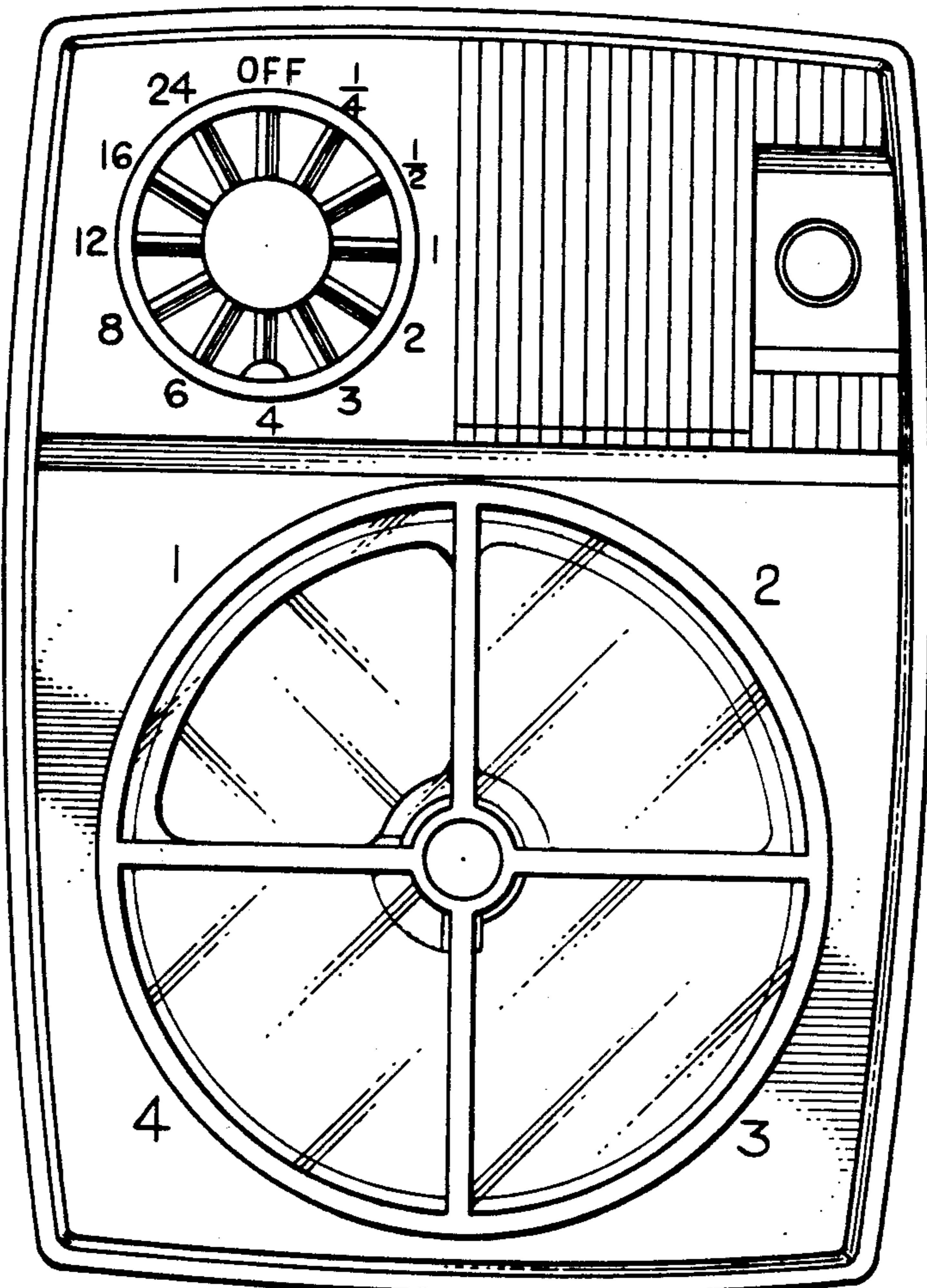
Primary Examiner—Nelson C. Holtje
Attorney, Agent, or Firm—Marvin Jabin

[57] CLAIM

The ornamental design for an automatic pill reminder or similar article, substantially as shown and described.

DESCRIPTION

FIG. 1 is a front elevational view of an automatic pill reminder or similar article showing our new design; FIG. 2 is a right side elevational view thereof, the left side being substantially plain and unornamented; FIG. 3 is a rear elevational view thereof; and FIG. 4 is a top plan view thereof; the bottom being substantially plain and unornamented.



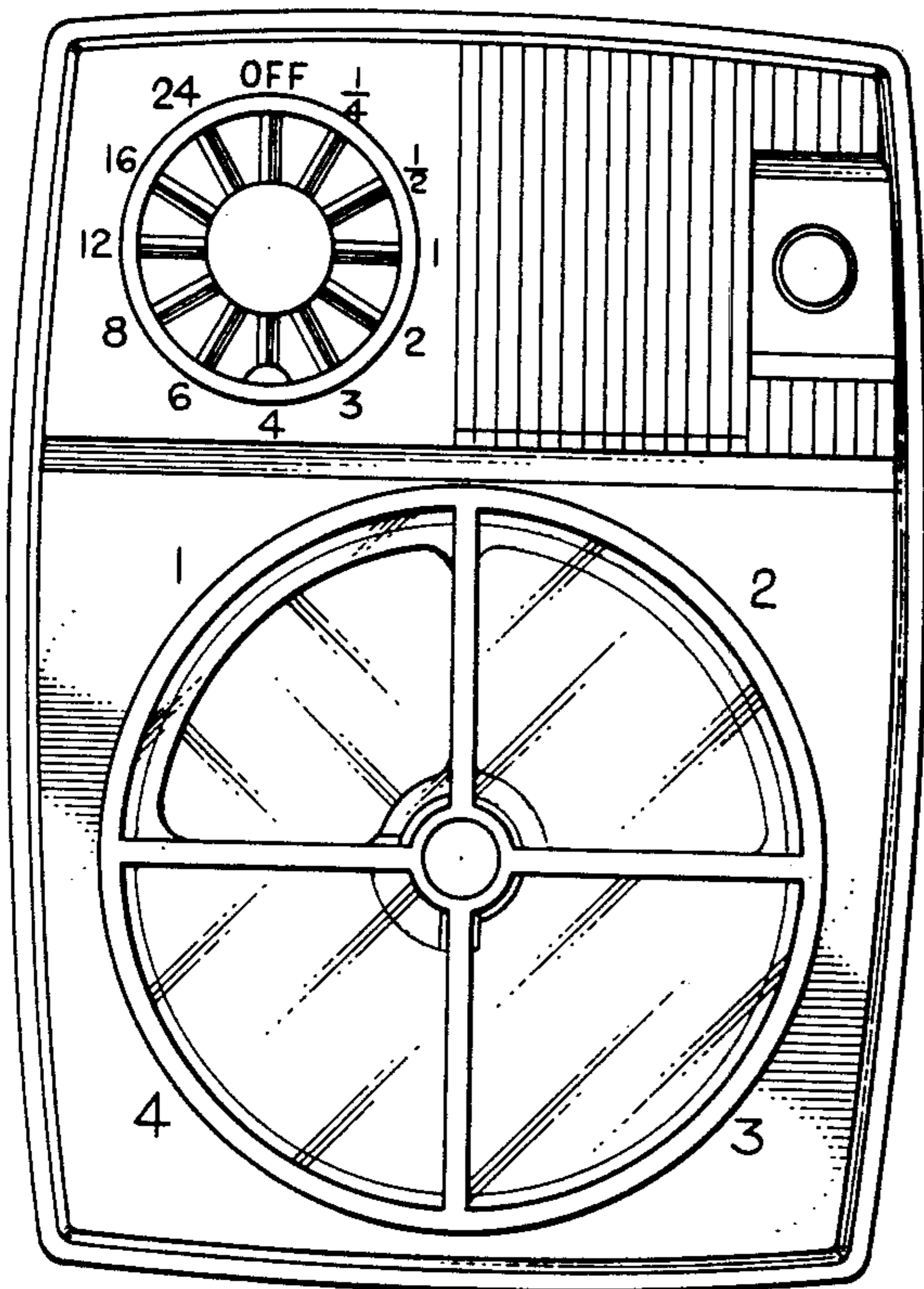


FIG. 1.

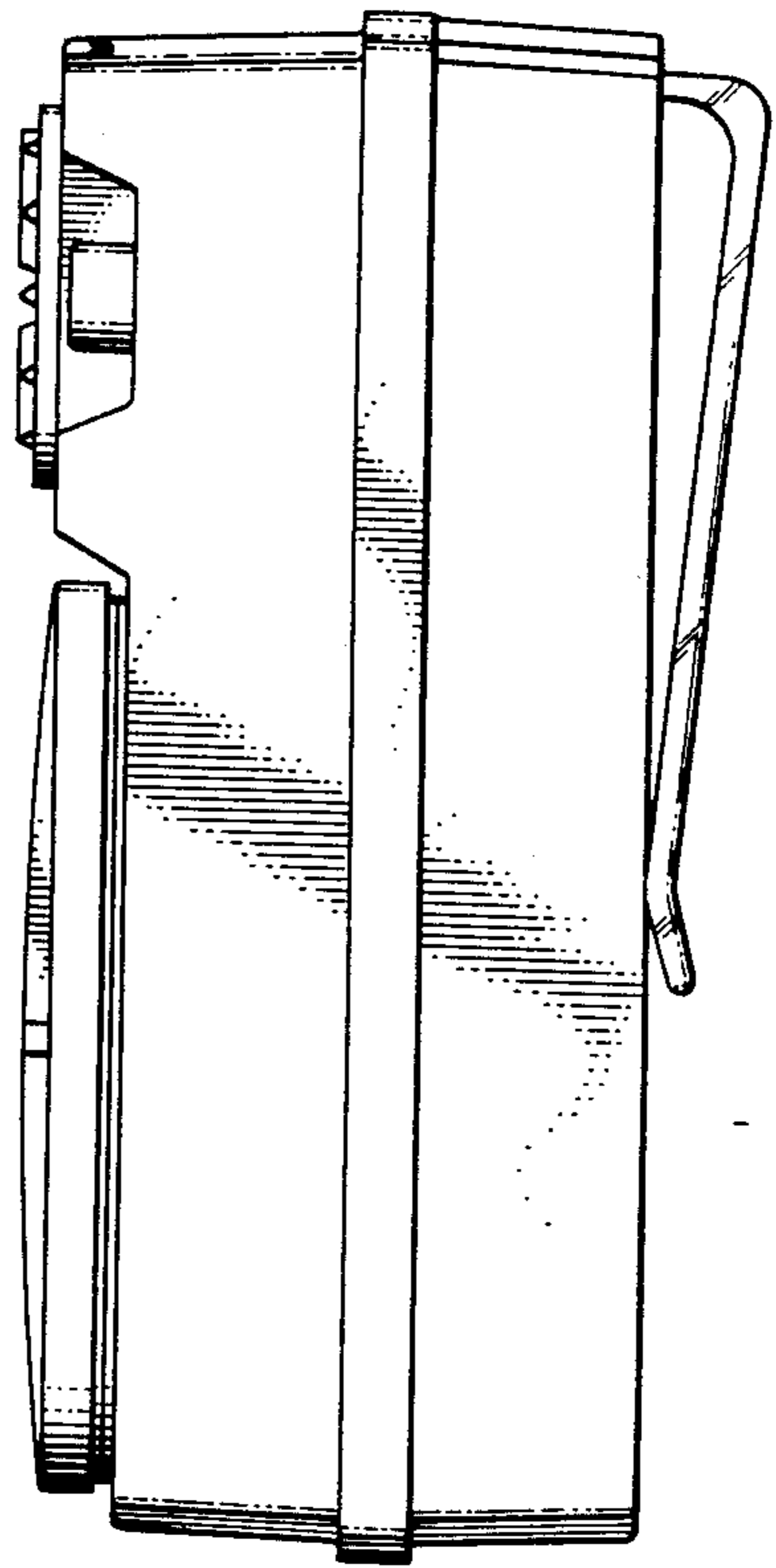


FIG. 2.

FIG. 3.

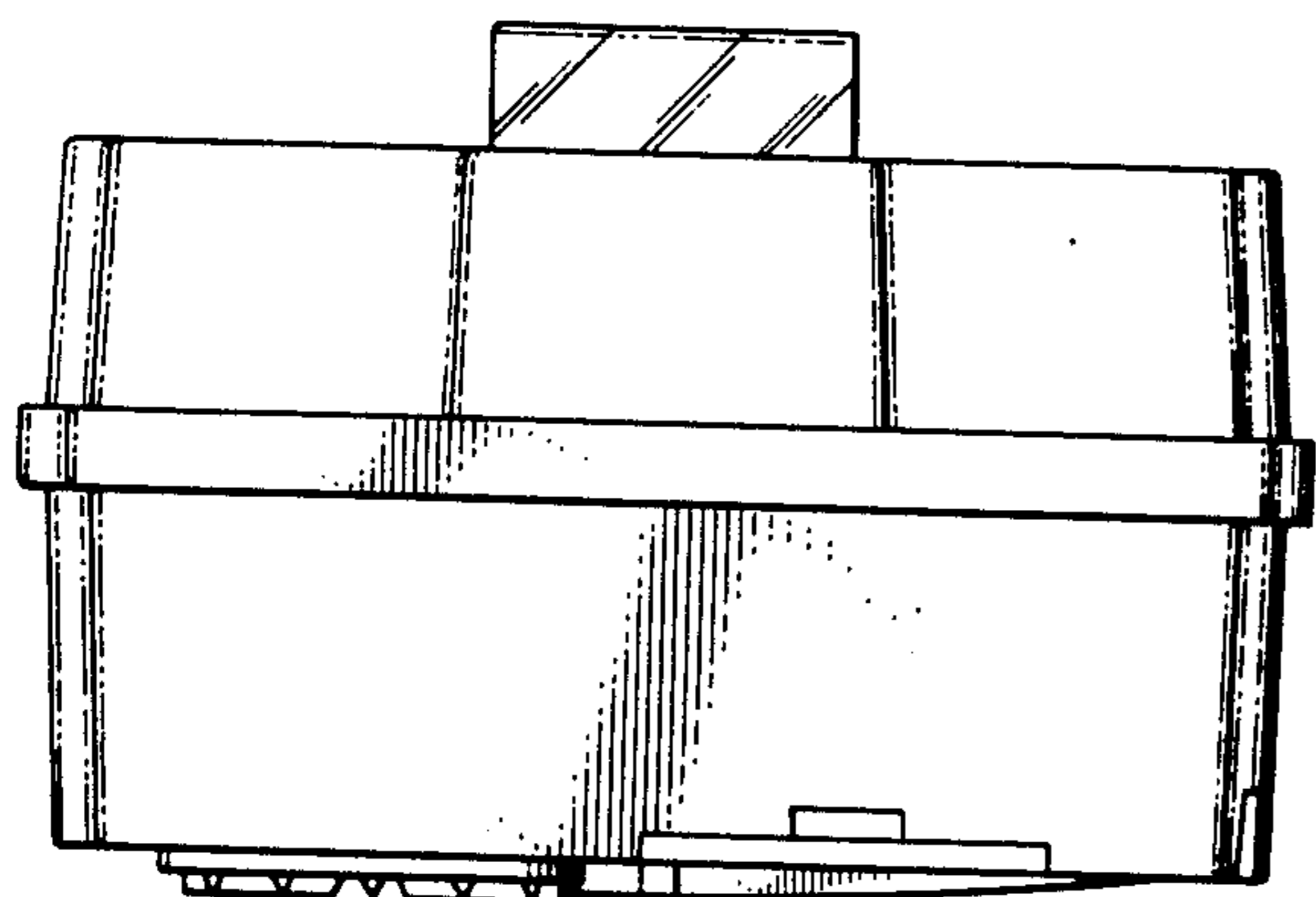
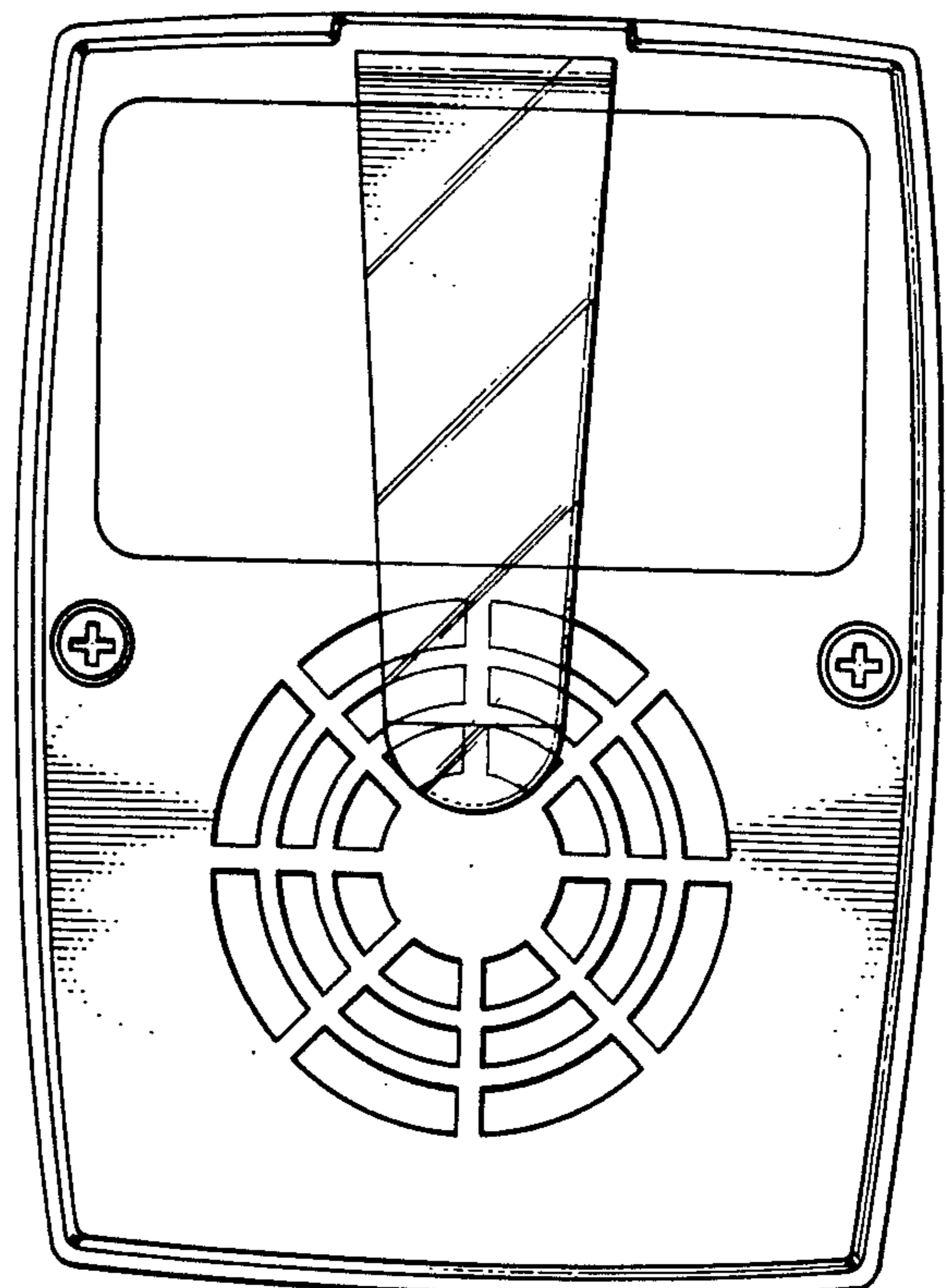


FIG. 4.