

[54] **STUD CHECKER TOOL**

[75] Inventor: **Gustave Albert Oberg, Jackson, Tenn.**

[73] Assignee: **The Bendix Corporation, Southfield, Mich.**

[**] Term: **14 Years**

[21] Appl. No.: **723,382**

[22] Filed: **Sep. 15, 1976**

[51] Int. Cl. **D10-04**

[52] U.S. Cl. **D10/64**

[58] Field of Search **D10/61-62, D10/64-65, 70-71; 33/168 B, 178 B**

2,528,431 10/1950 Greenberg D10/64 X

3,406,461 10/1968 Gunderson 33/178 B

3,858,325 1/1975 Goerler 33/178 B

OTHER PUBLICATIONS

Plastic Merchandising - Bolt & Nut Gauge at bottom left - Feb. 1952 - p. 31.

Primary Examiner—Nelson C. Holtje
Attorney, Agent, or Firm—Paul David Schoenle

[57] **CLAIM**

The ornamental design for a stud checker tool, as shown and described.

DESCRIPTION

FIG. 1 is a top perspective view of a stud checker tool showing my new design, the bottom being substantially plain and unornamented;

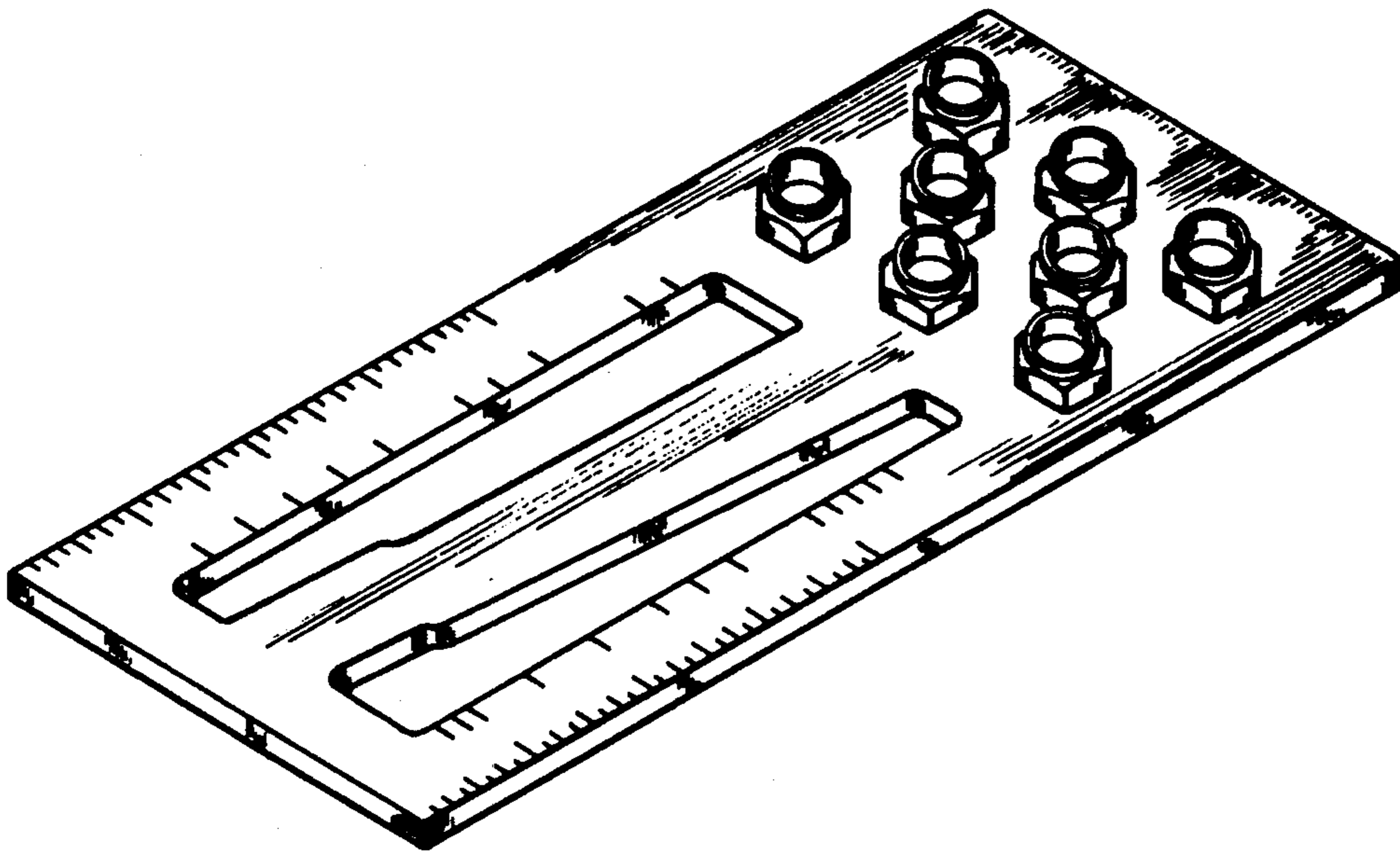
FIG. 2 is a front elevational view thereof, the rear being a mirror image thereto;

FIG. 3 is a right end elevational view thereof.

[56] **References Cited**

U.S. PATENT DOCUMENTS

D. 114,756 5/1939 Fuller D10/62



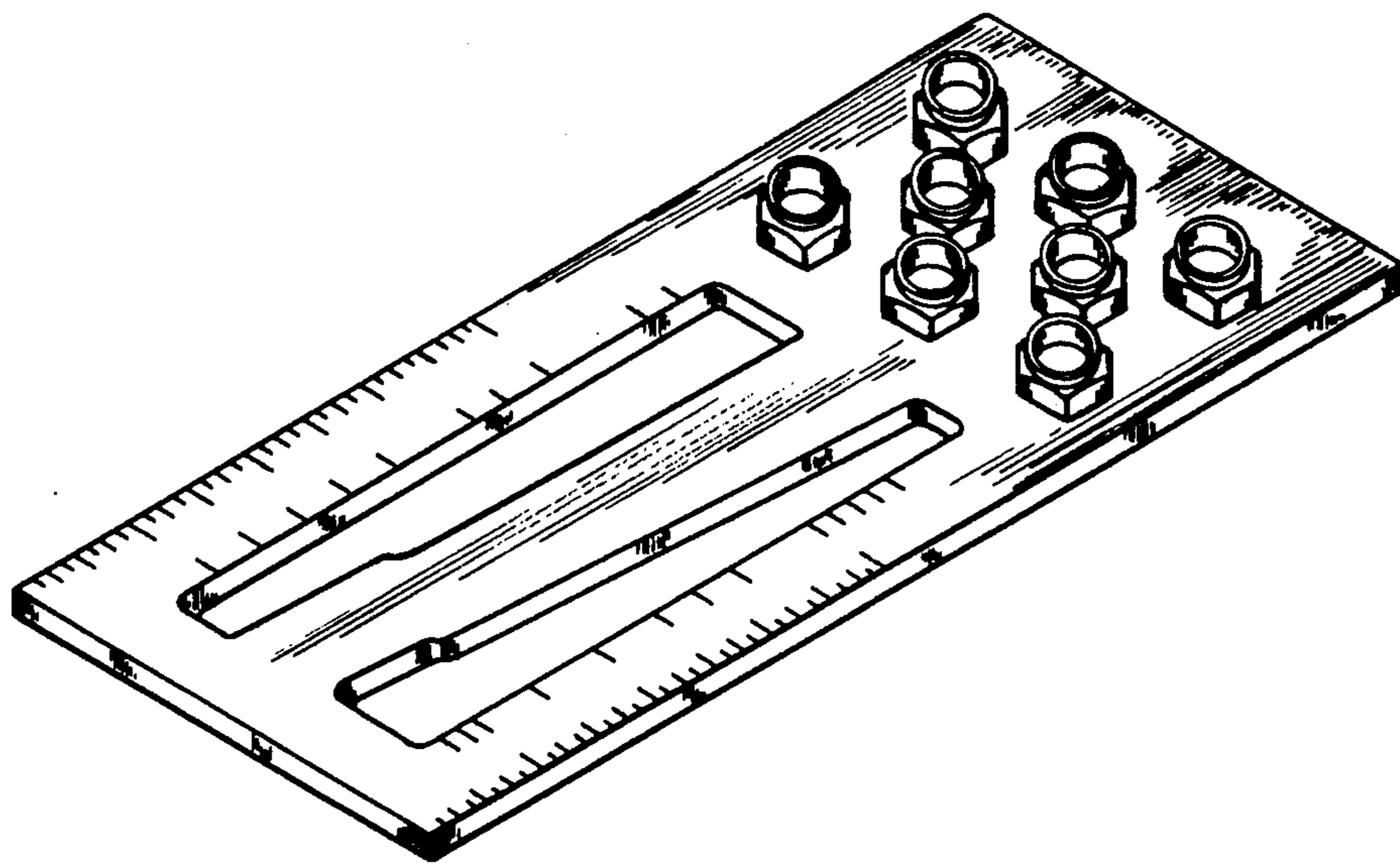


FIG. 1



FIG. 2



FIG. 3