

[54] DOOR LATCH

[75] Inventor: Torsti T. T. Jerila, Rowland Heights, Calif.

[73] Assignee: Acme General Corporation

[**] Term: 14 Years

[21] Appl. No.: 768,215

[22] Filed: Feb. 14, 1977

[51] Int. Cl. D8-07

[52] U.S. Cl. D8/341

[58] Field of Search D8/331, 339, 341, 330, D8/302; 292/169.18, DIG. 37

[56] References Cited

U.S. PATENT DOCUMENTS

- D. 146,228 1/1947 Merendino D8/341
- D. 165,976 2/1952 Goserud D8/341
- D. 233,976 12/1974 Ridgway et al. D8/341

Primary Examiner—Wallace R. Burke

Assistant Examiner—James M. Gandy
Attorney, Agent, or Firm—Robert L. Parker

[57] CLAIM

The ornamental design for a door latch, substantially as shown and described.

DESCRIPTION

FIG. 1 is a perspective view of one half of a door latch showing my new design on one face of a door, which is shown in broken lines for illustrative purposes only; FIG. 2 is a perspective view of the other half of the door latch on the opposite face of said door; FIG. 3 is a plan view of the half of the door latch of FIG. 1; FIG. 4 is a side elevational view of the door latch as if viewed from the edge of the door; FIG. 5 is a right end elevational view of FIG. 4; FIG. 6 is a left end elevational view of FIG. 4; FIG. 7 is a side elevational view of the door latch opposite to that shown in FIG. 4; and FIG. 8 is a plan view of the half of the door latch of FIG. 2.

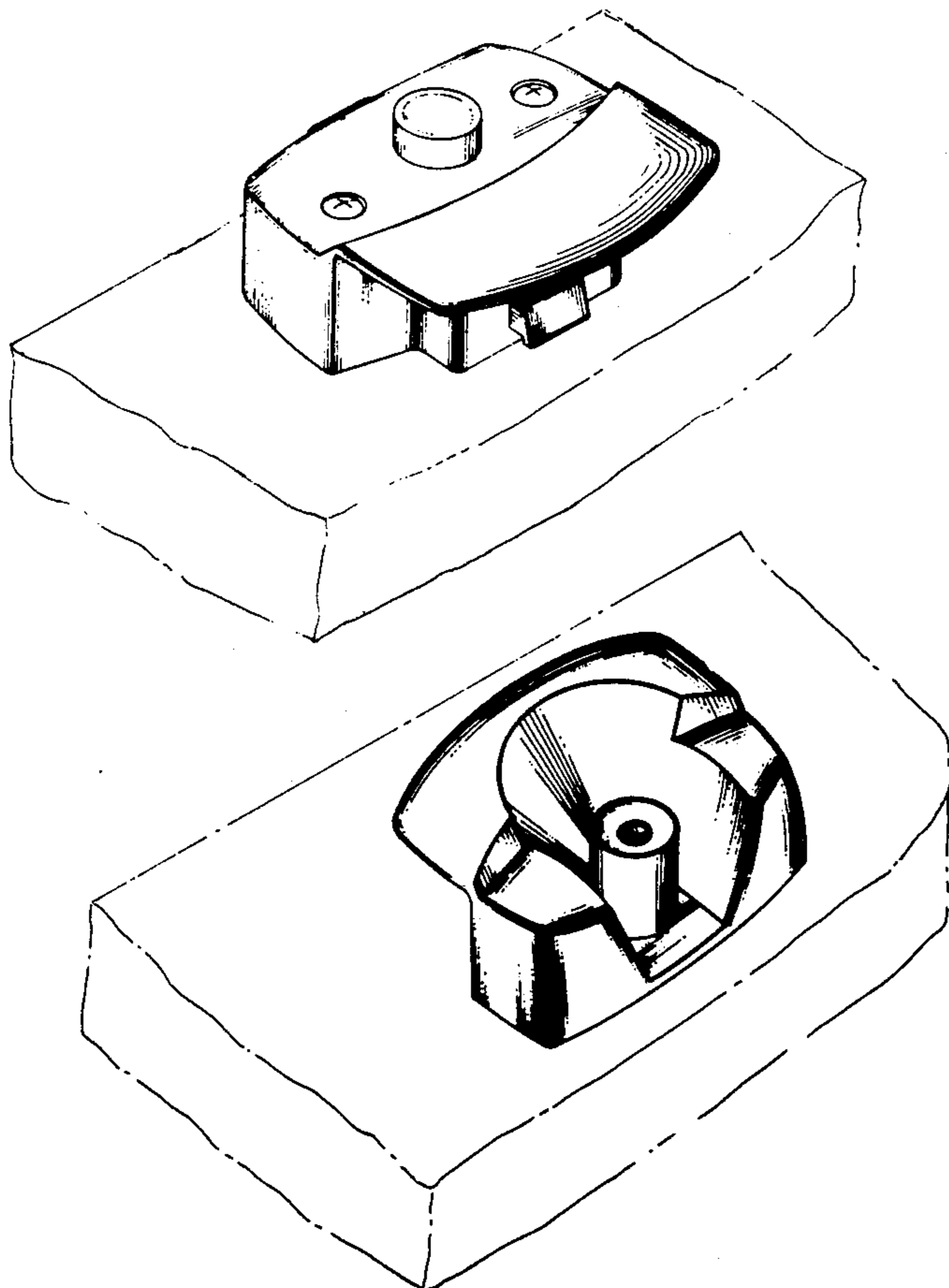


Fig. 1

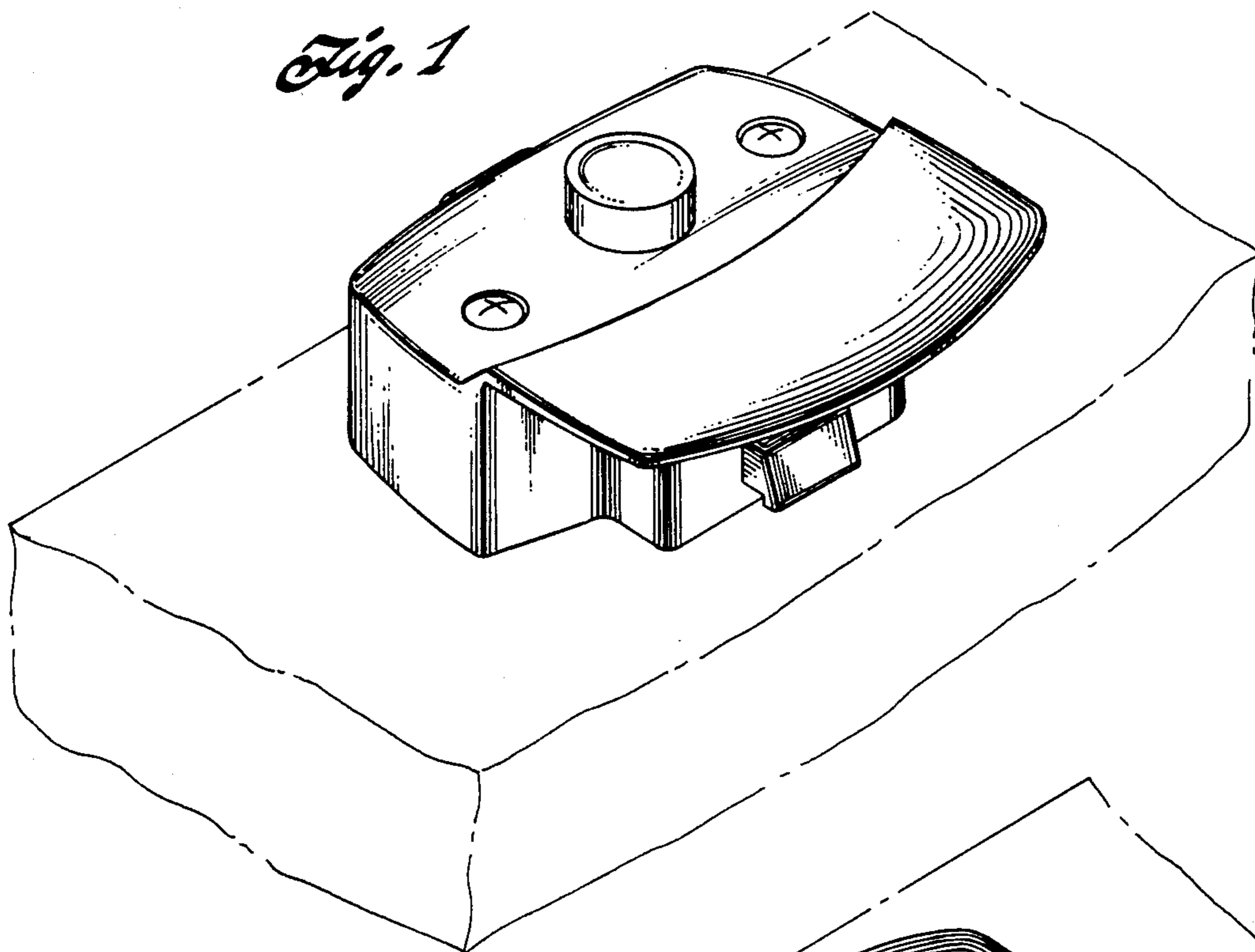


Fig. 2

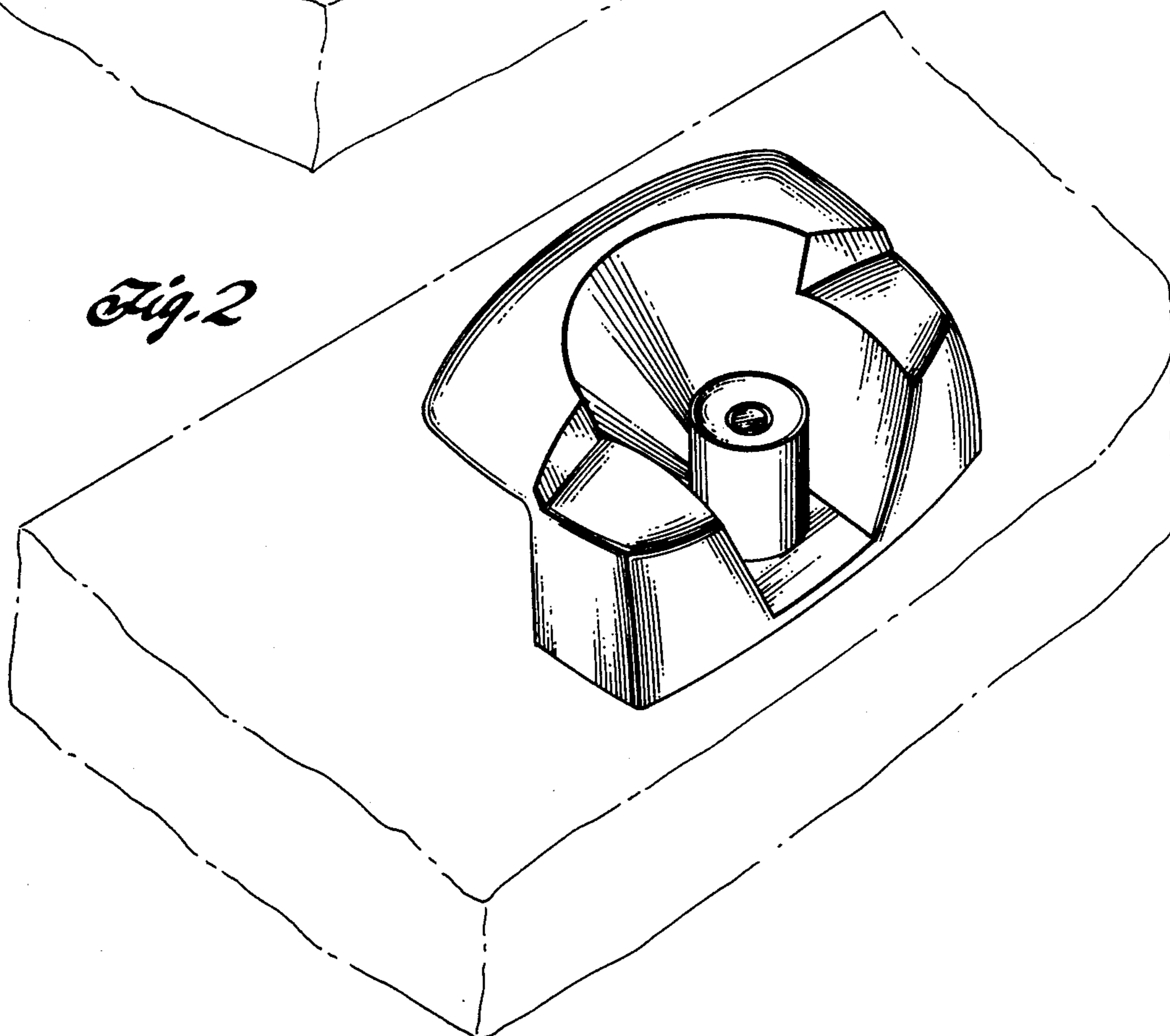


Fig. 3

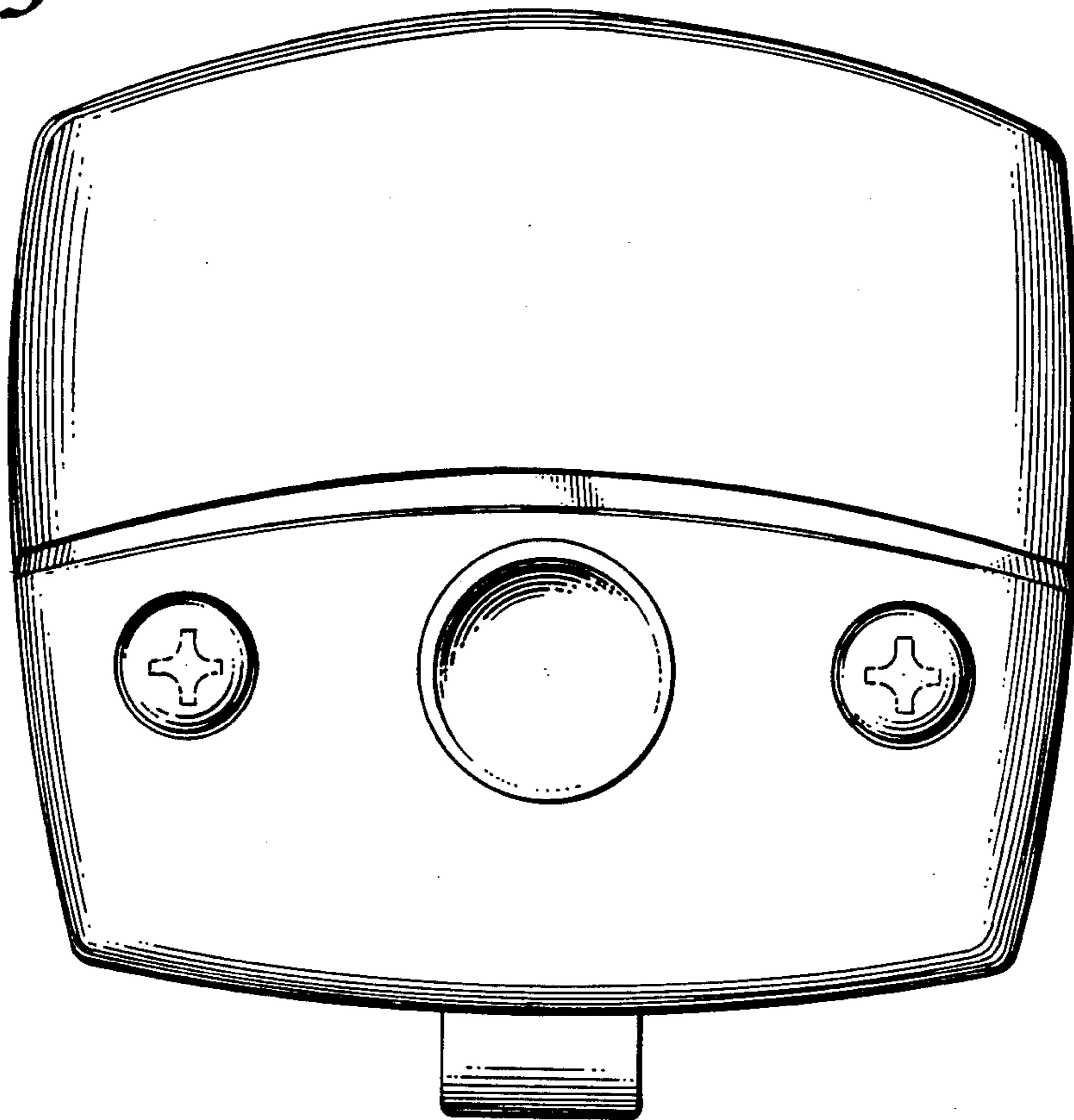


Fig. 4

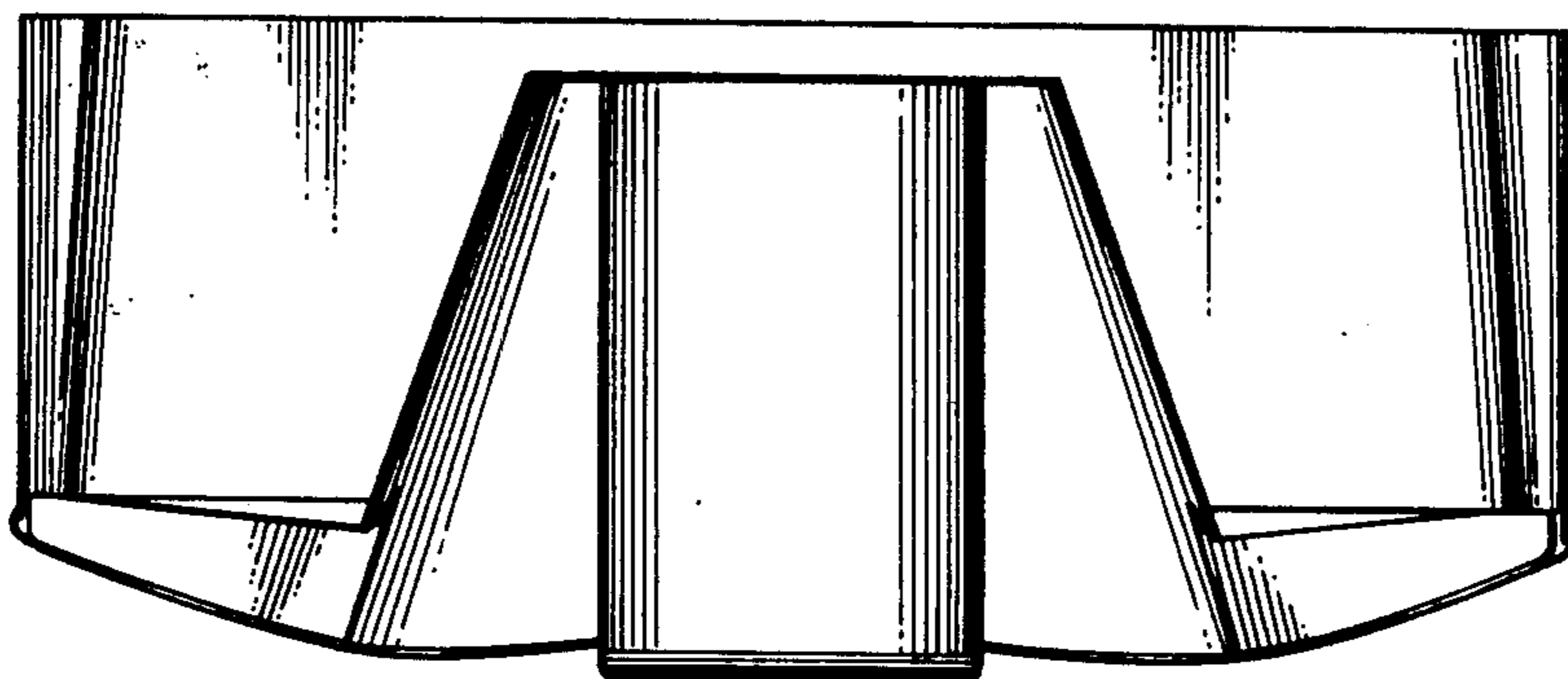
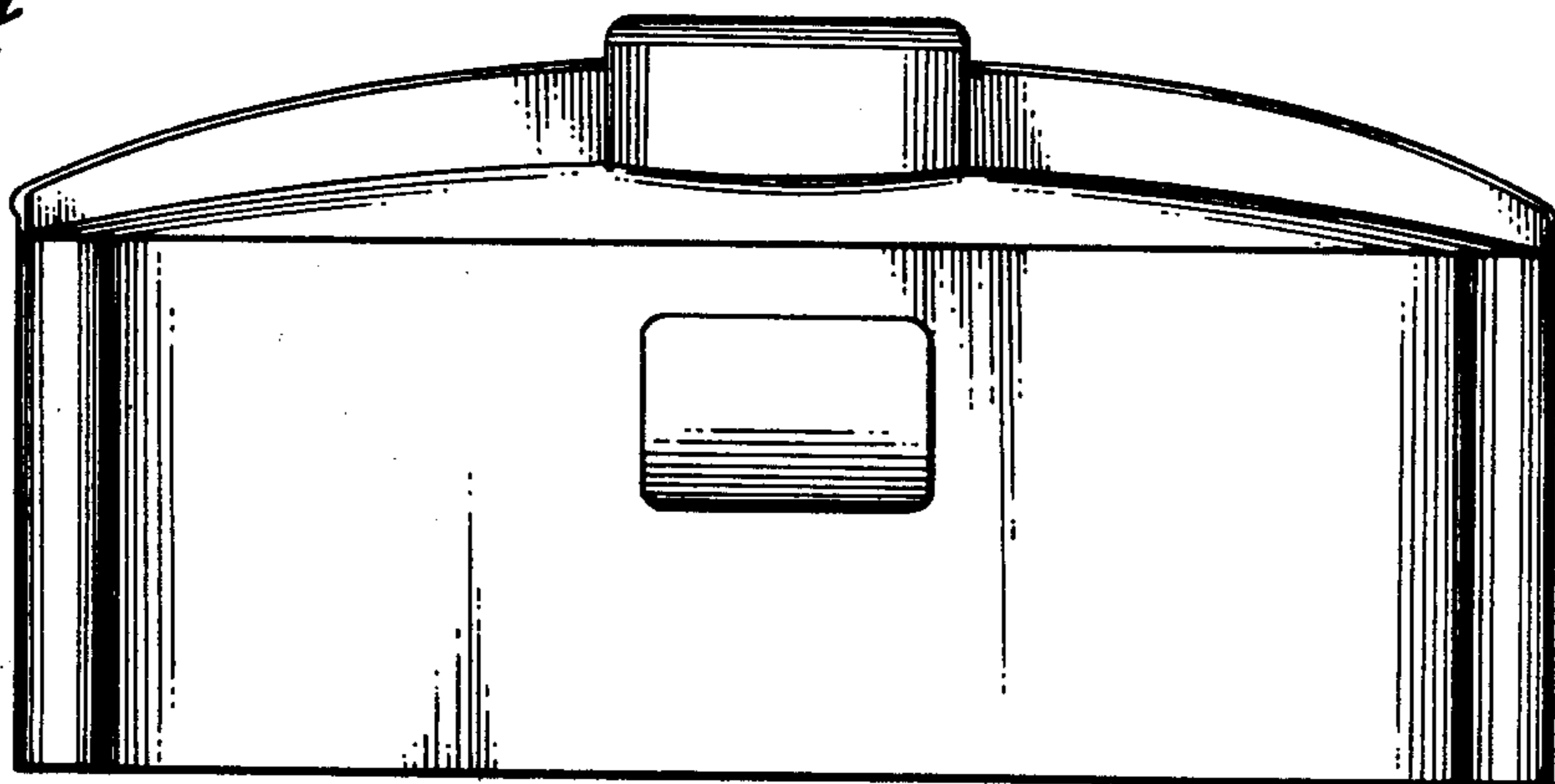


Fig. 5

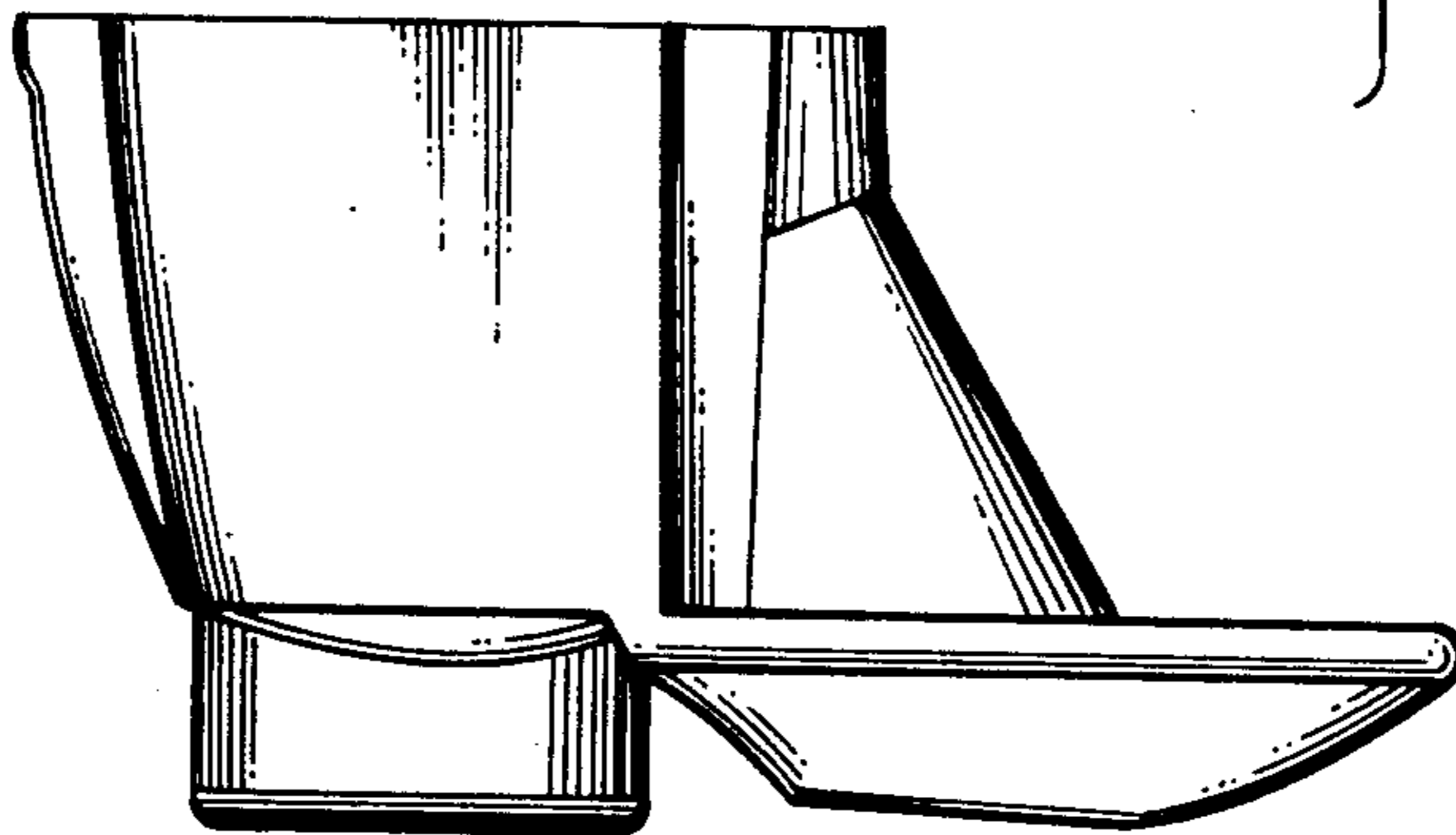
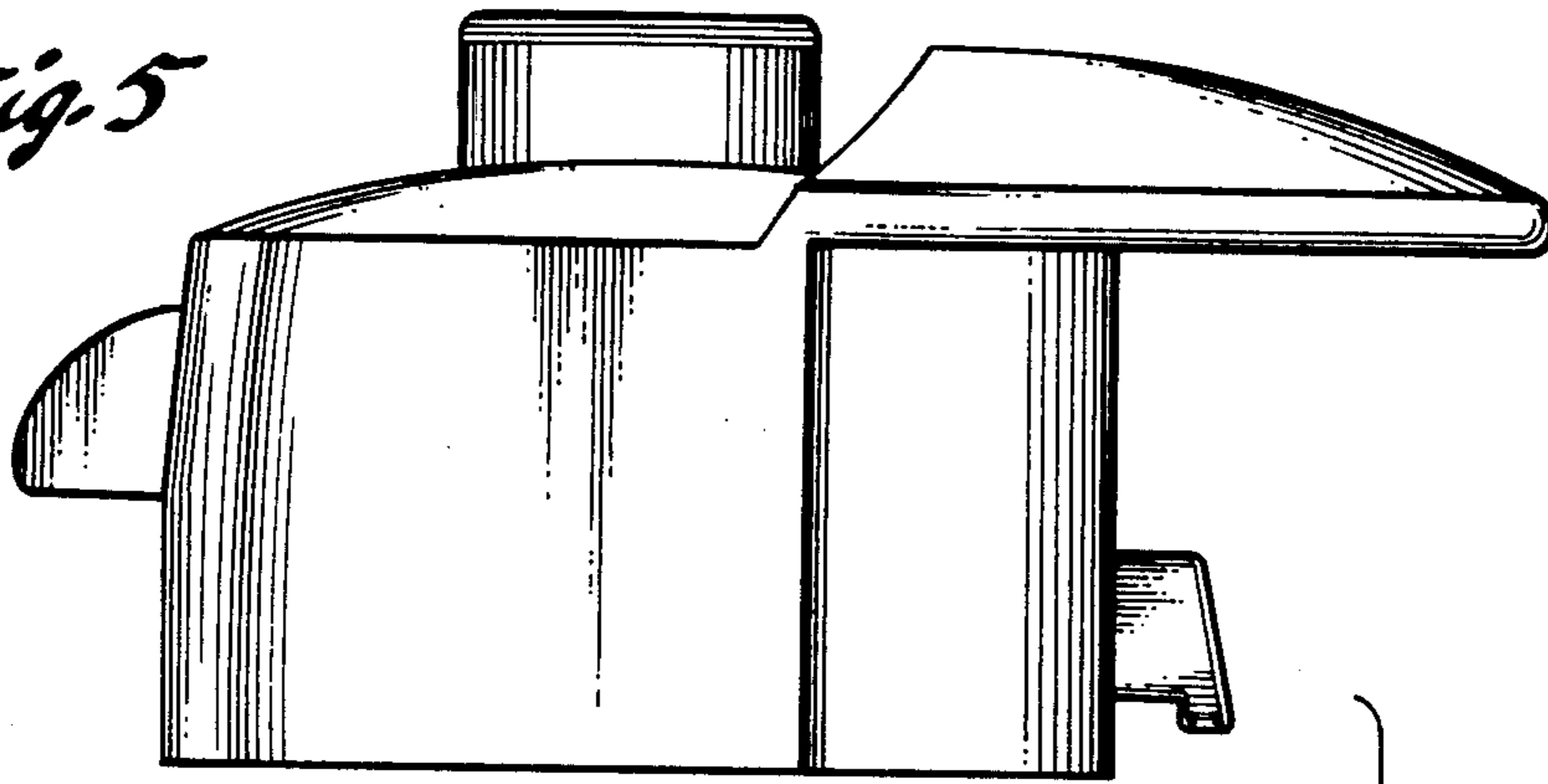


Fig. 6

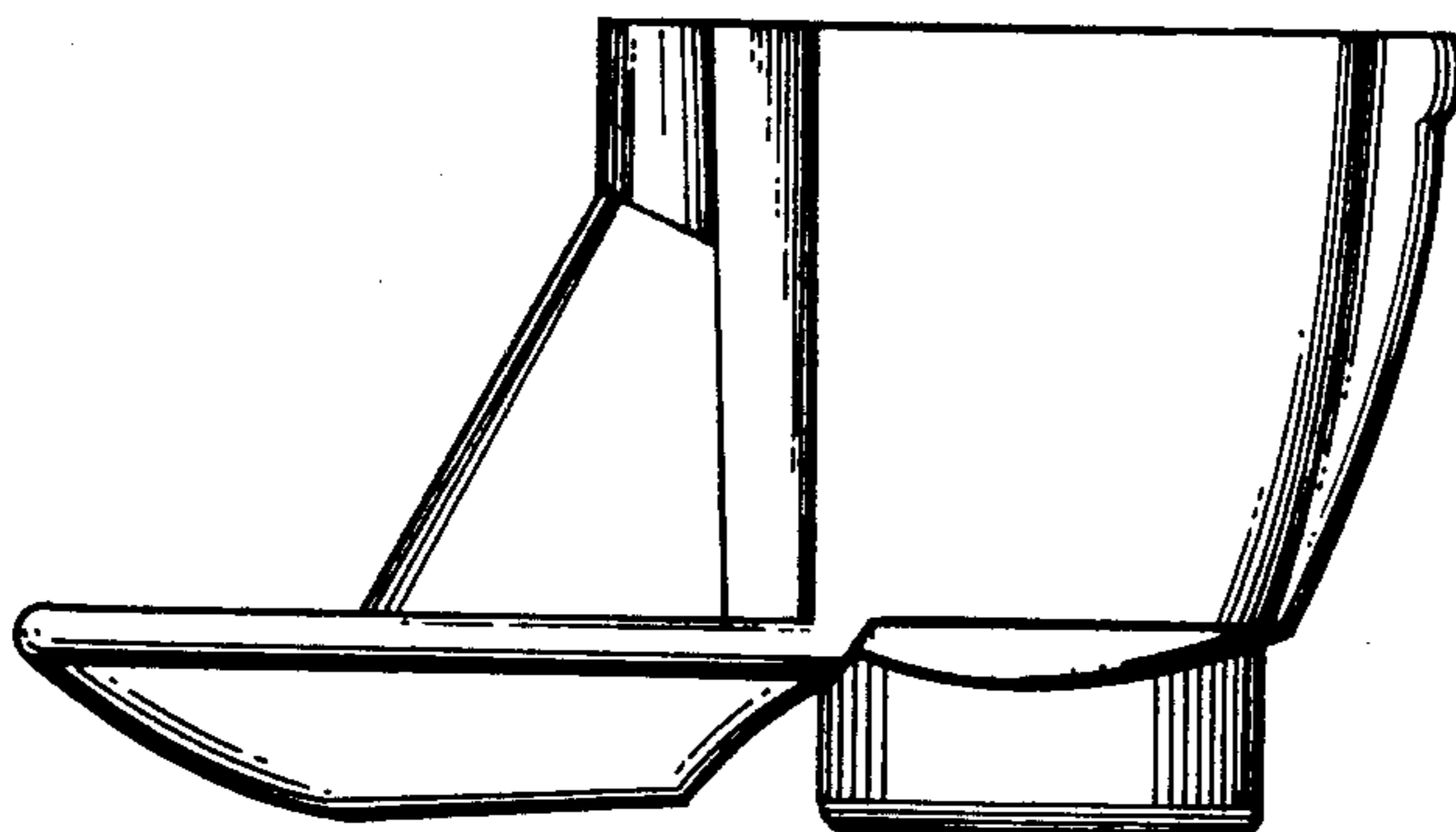
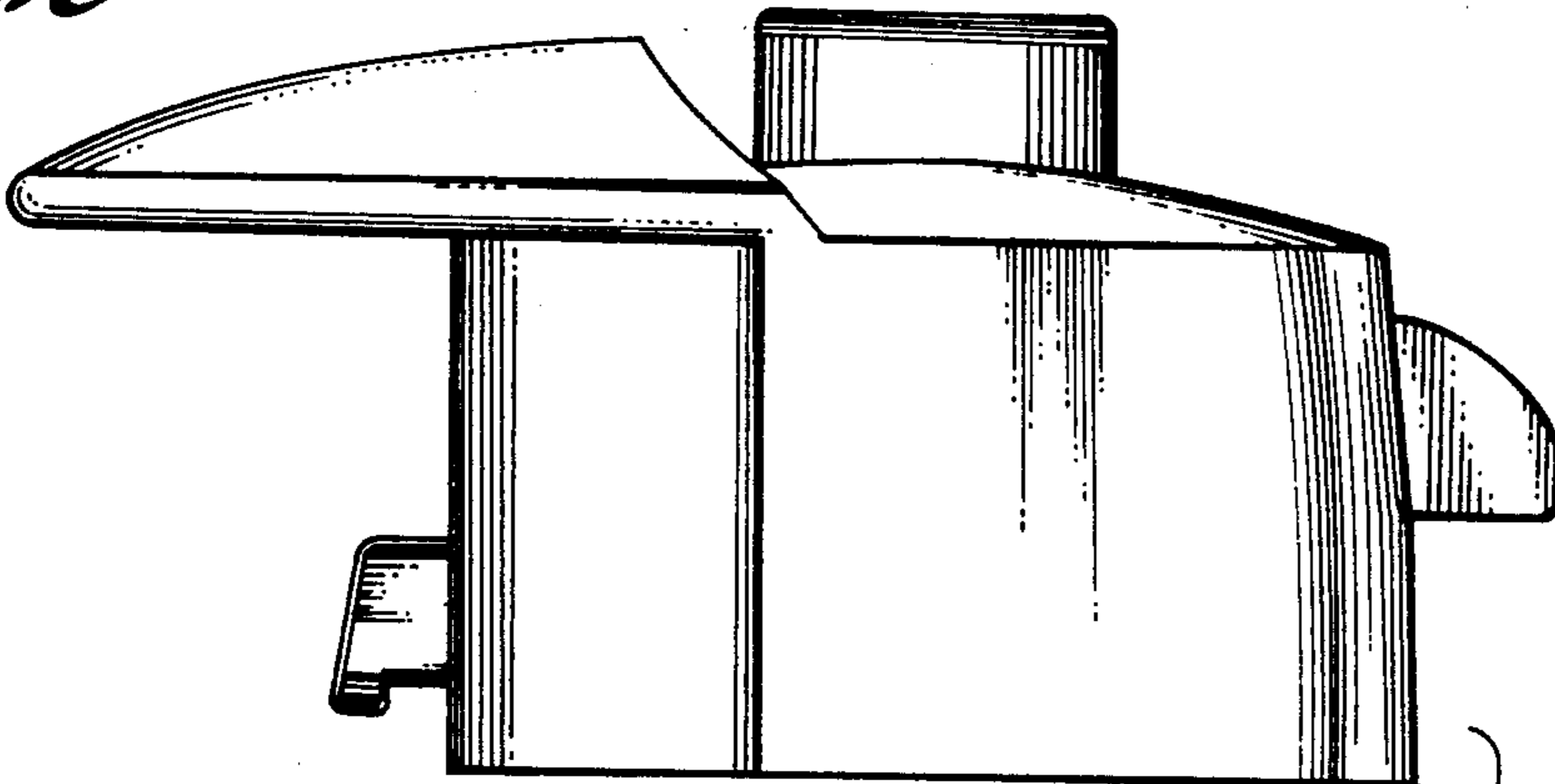


Fig. 7

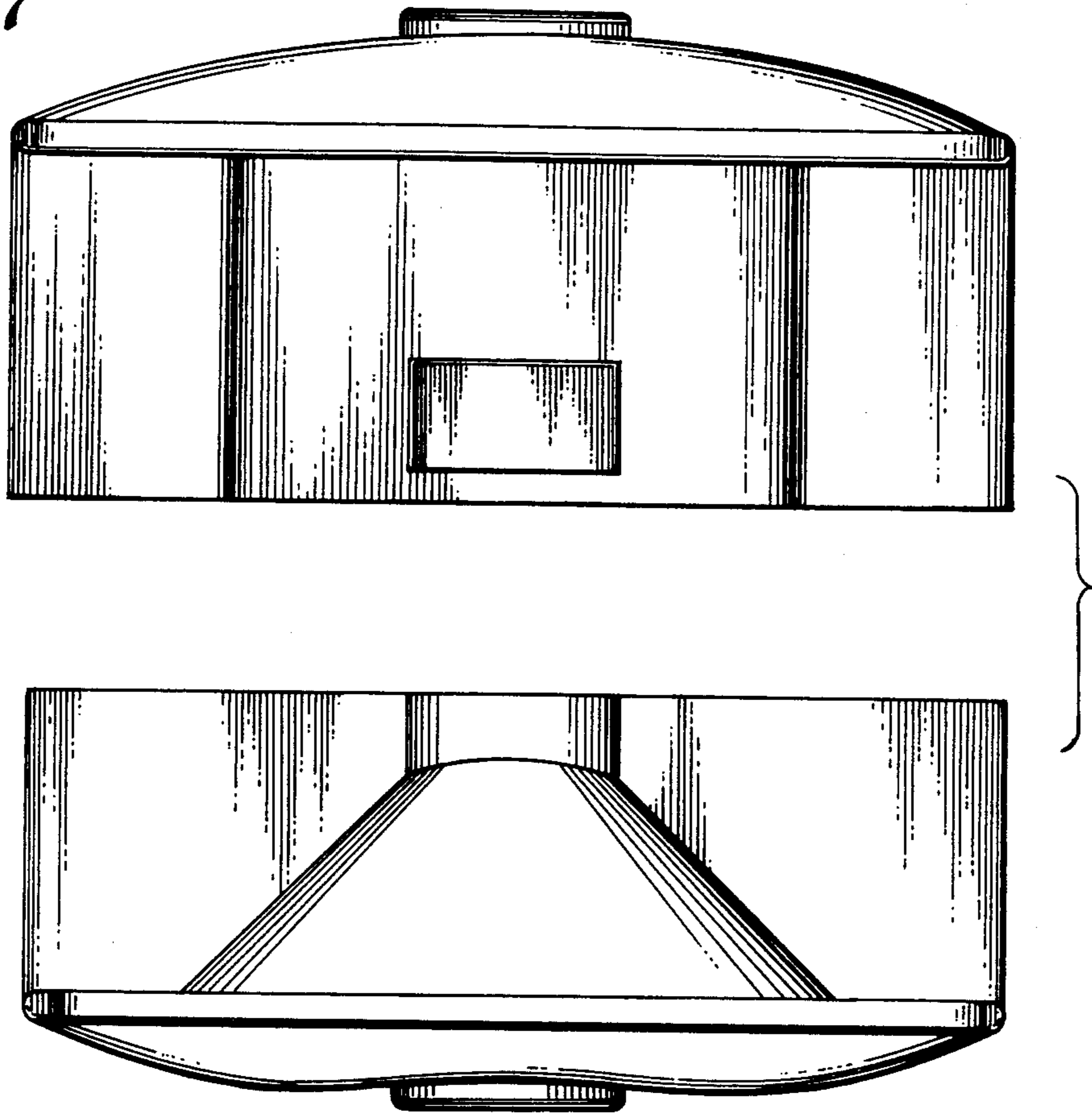


Fig. 8

