

[54] CUP FOR ADMINISTERING MEDICINE OR THE LIKE

1,543,209 6/1925 Fulton 128/222

[76] Inventor: Edward H. Newmark, 2 Grove St., New York, N.Y. 10014

FOREIGN PATENT DOCUMENTS

400 of 1909 United Kingdom 128/222

[**] Term: 14 Years

Primary Examiner—Winifred E. Herrmann
Attorney, Agent, or Firm—Morton Amster

[21] Appl. No.: 826,875

[57] CLAIM

[22] Filed: Aug. 22, 1977

The ornamental design for a cup for administering medicine or the like, as shown and described.

[51] Int. Cl.² D7—01

[52] U.S. Cl. D7/6; D7/15

[58] Field of Search 128/222, 275, 15; D7/6, D7/7, 8, 9, 10, 14, 15; D9/220; D24/54, 56

DESCRIPTION

FIG. 1 is a perspective view of the cup for administering medicine or the like showing my new design; FIG. 2 is a front elevational view thereof; FIG. 3 is a side elevational view thereof; FIG. 4 is a back elevational view thereof; FIG. 5 is a top plan view thereof; and FIG. 6 is a bottom plan view thereof.

[56] References Cited

U.S. PATENT DOCUMENTS

497,940 5/1893 Bacon 220/90.2
727,212 5/1903 Scott 128/222 X

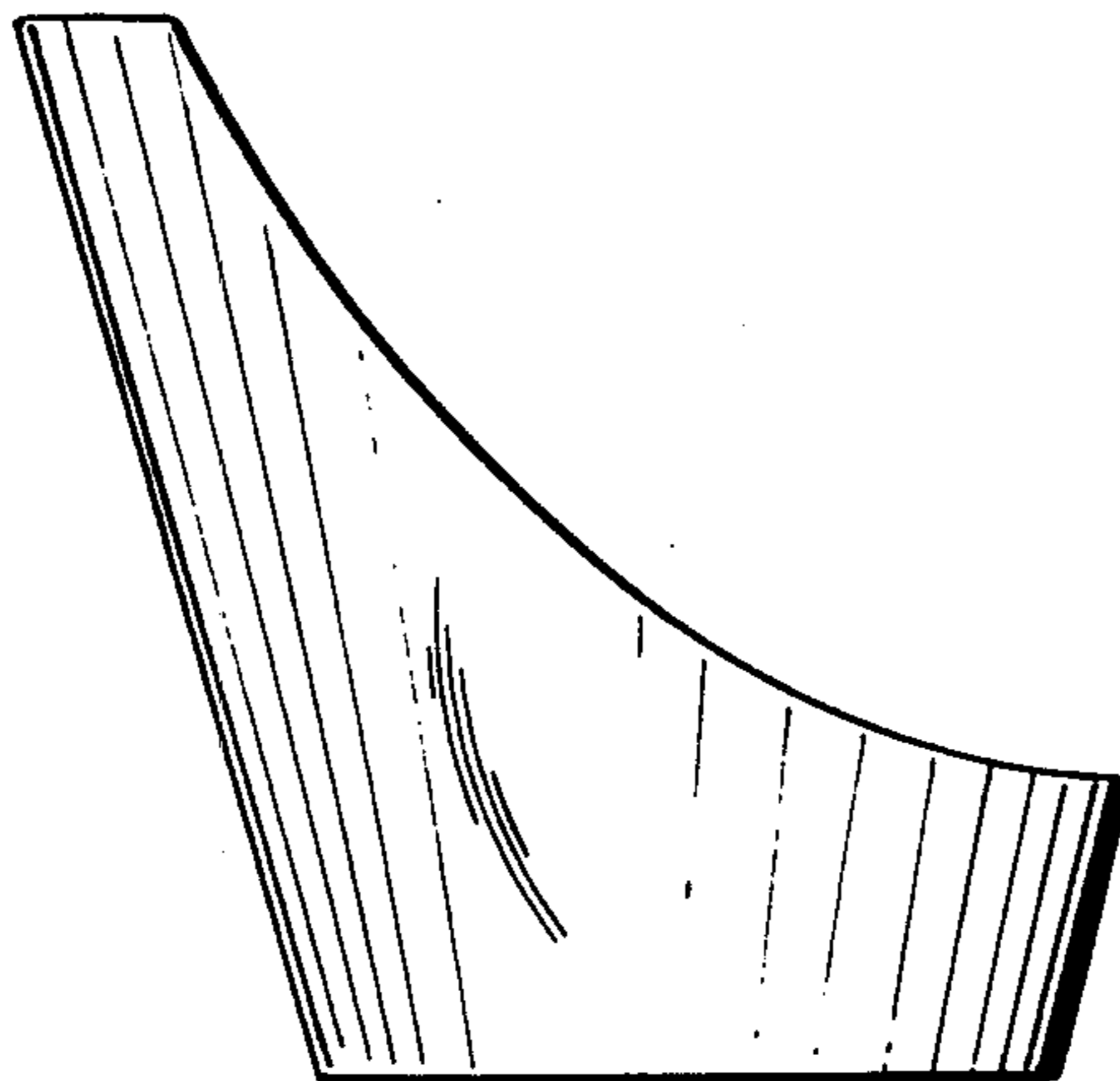
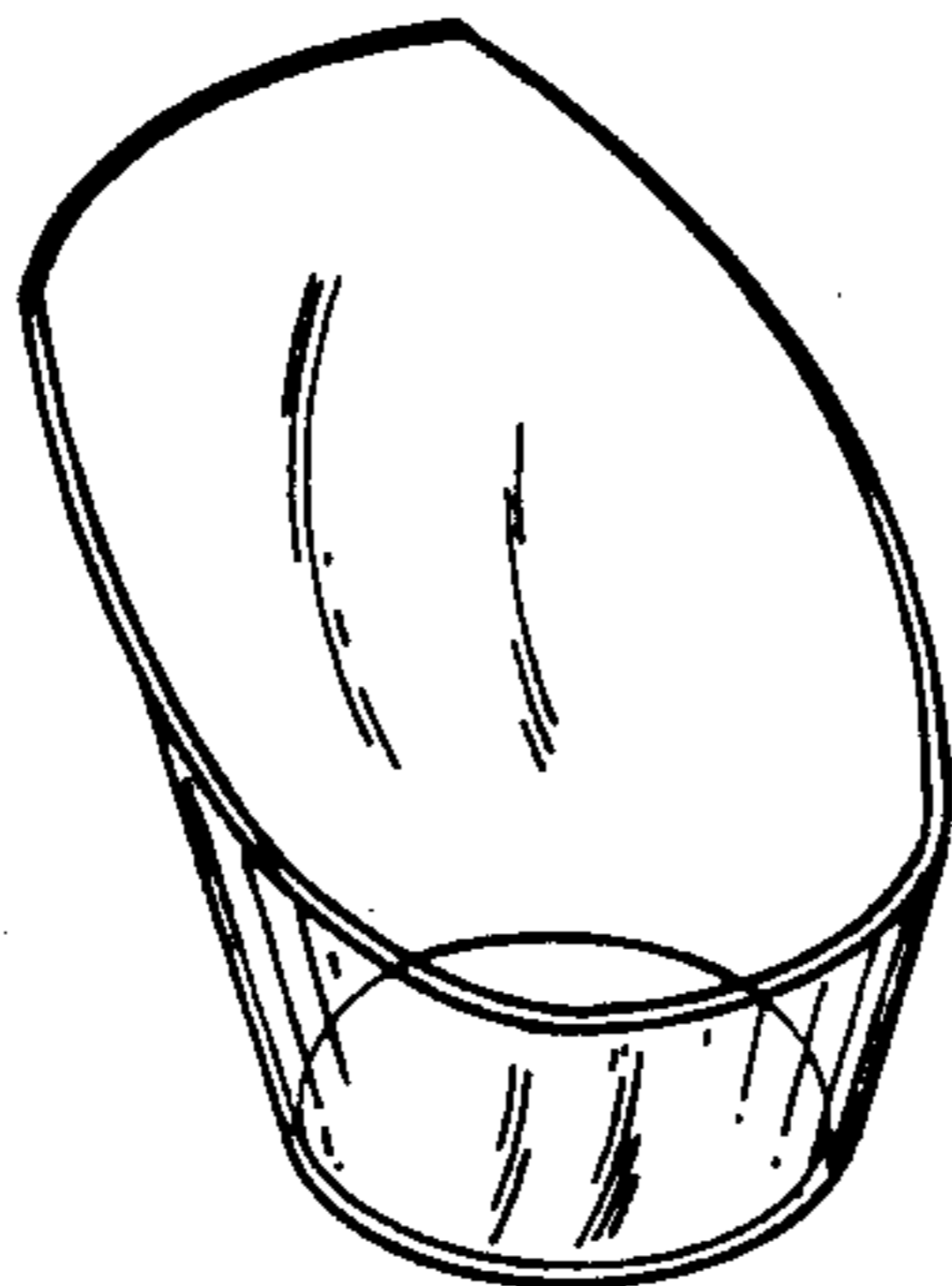


FIG. 1

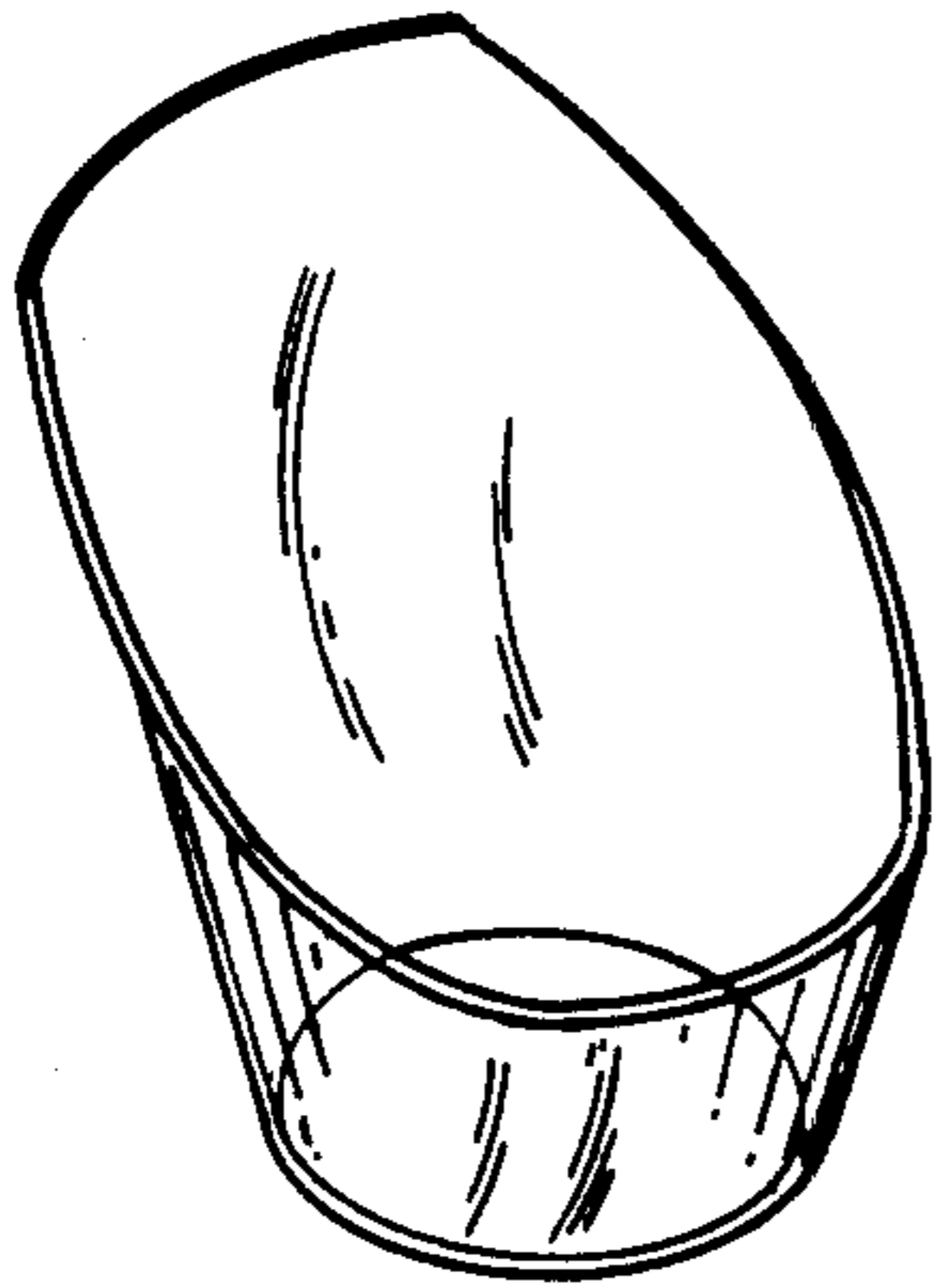


FIG. 2

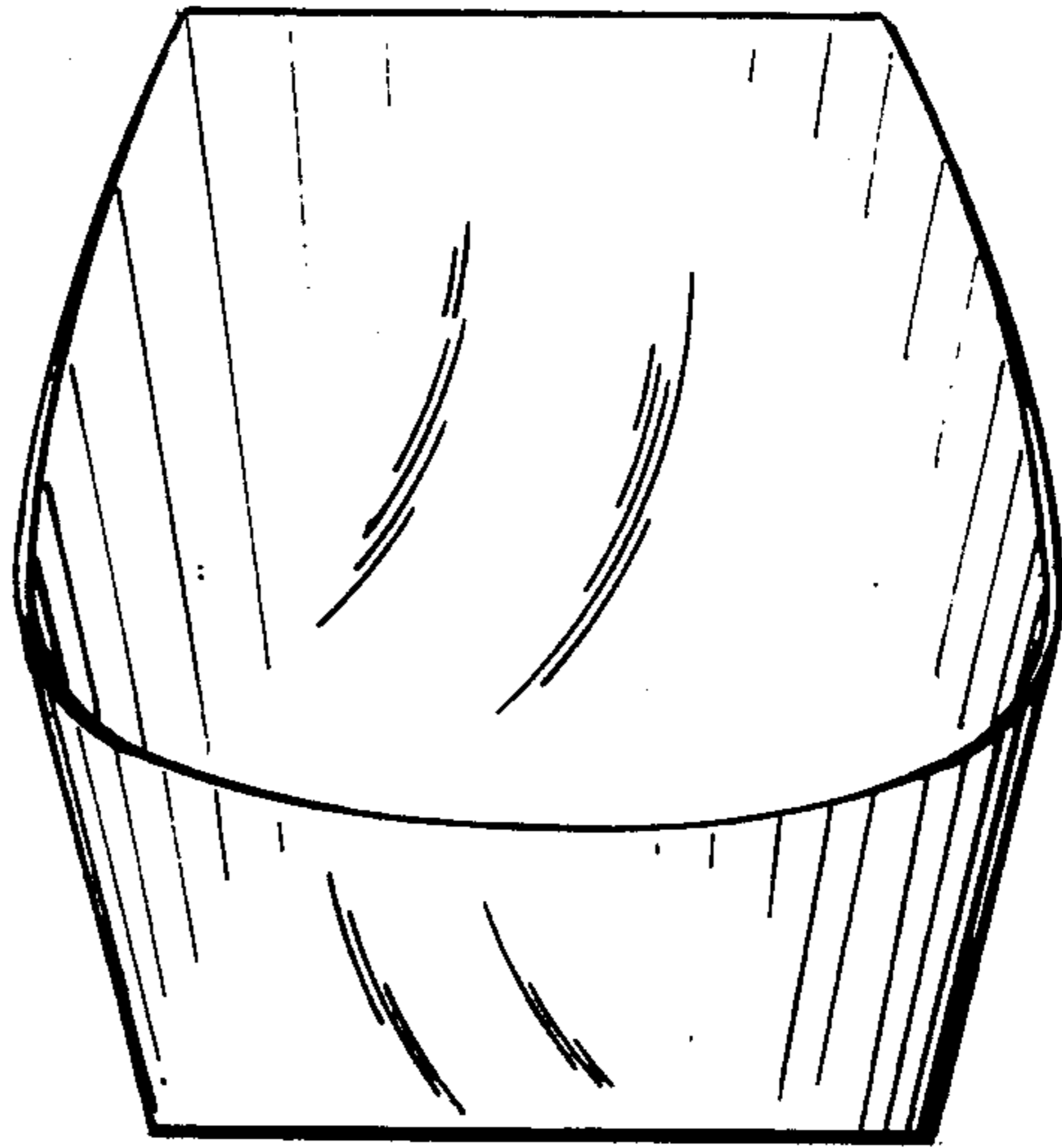


FIG. 3

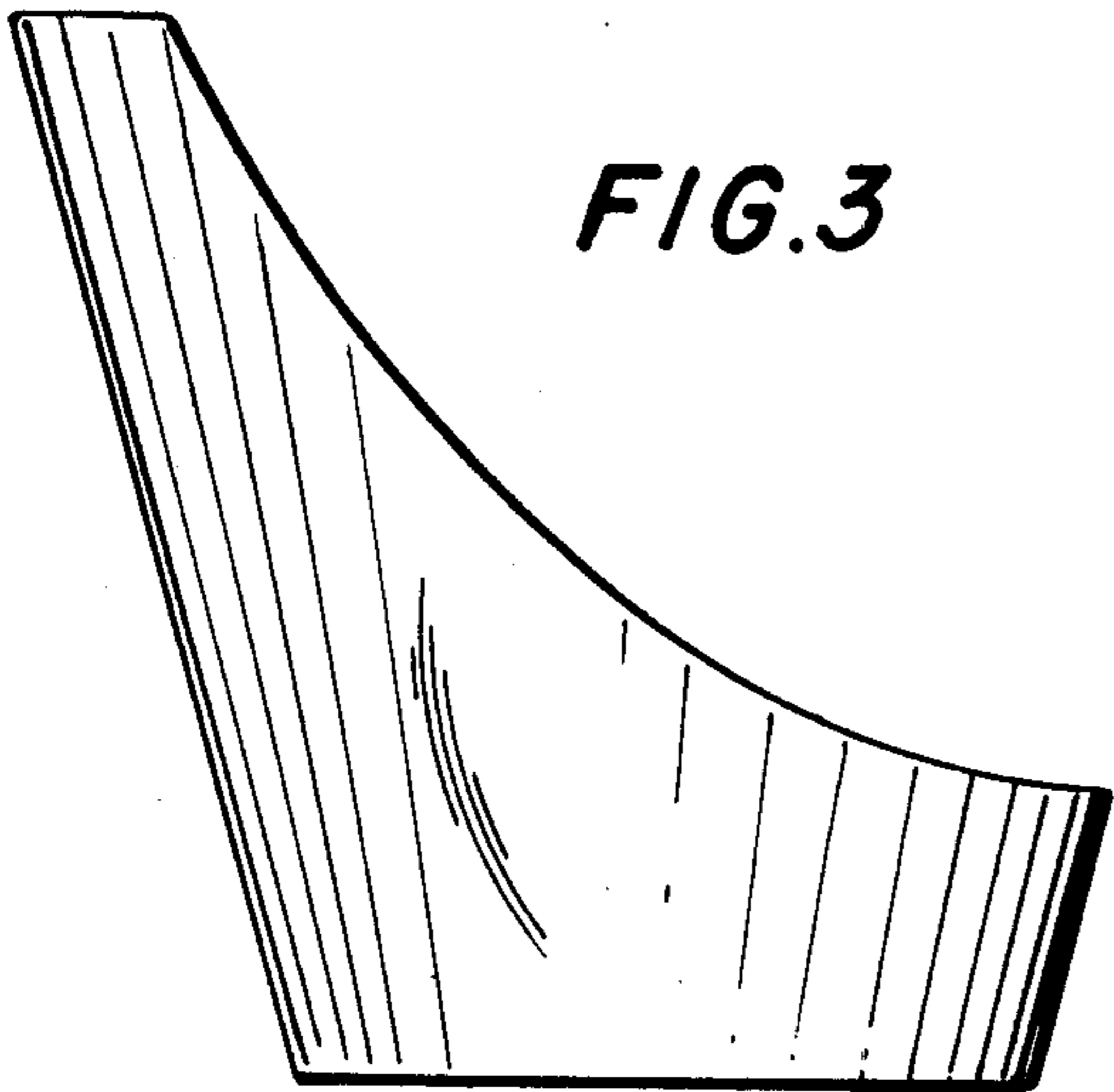


FIG. 4

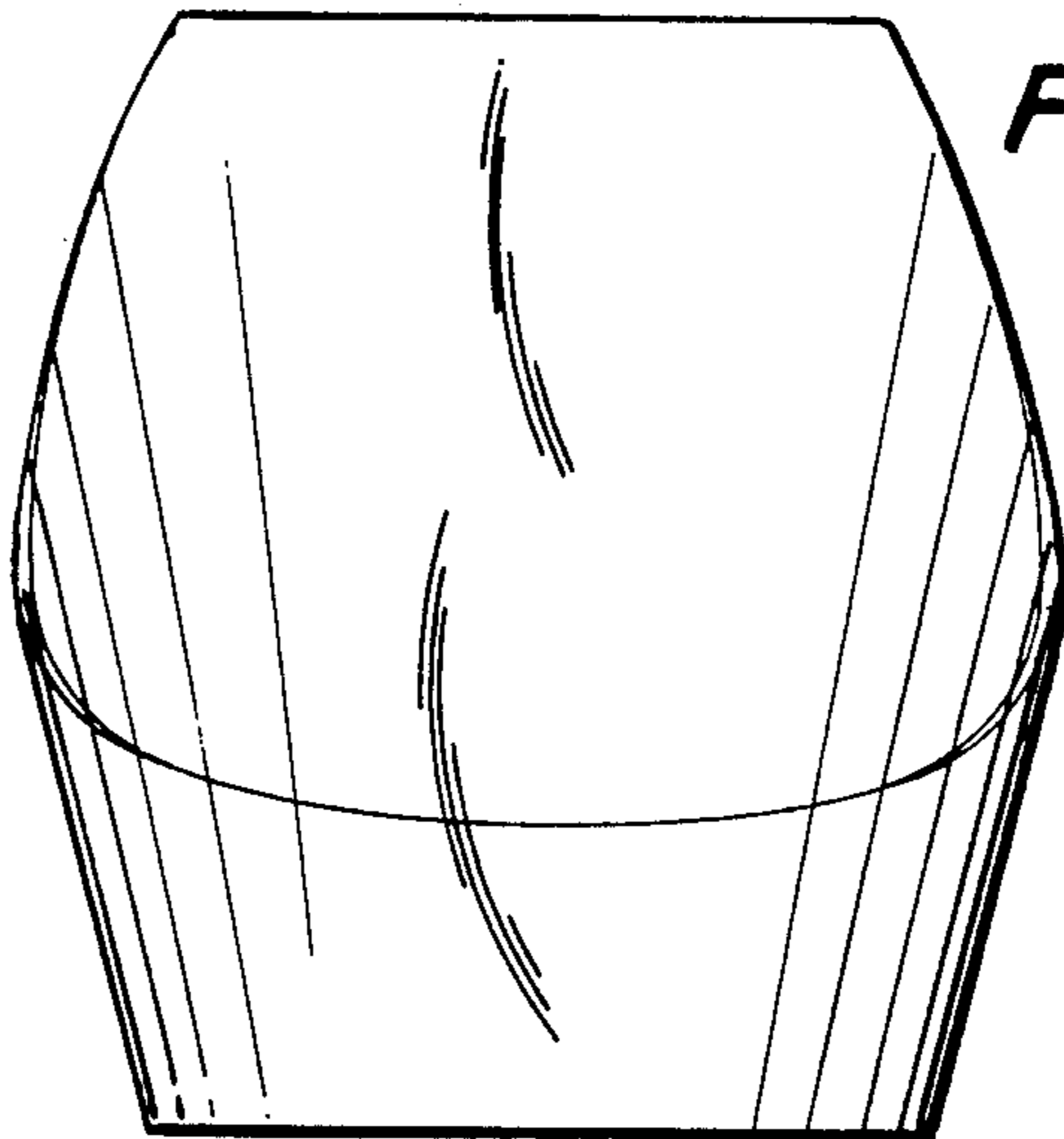


FIG. 5

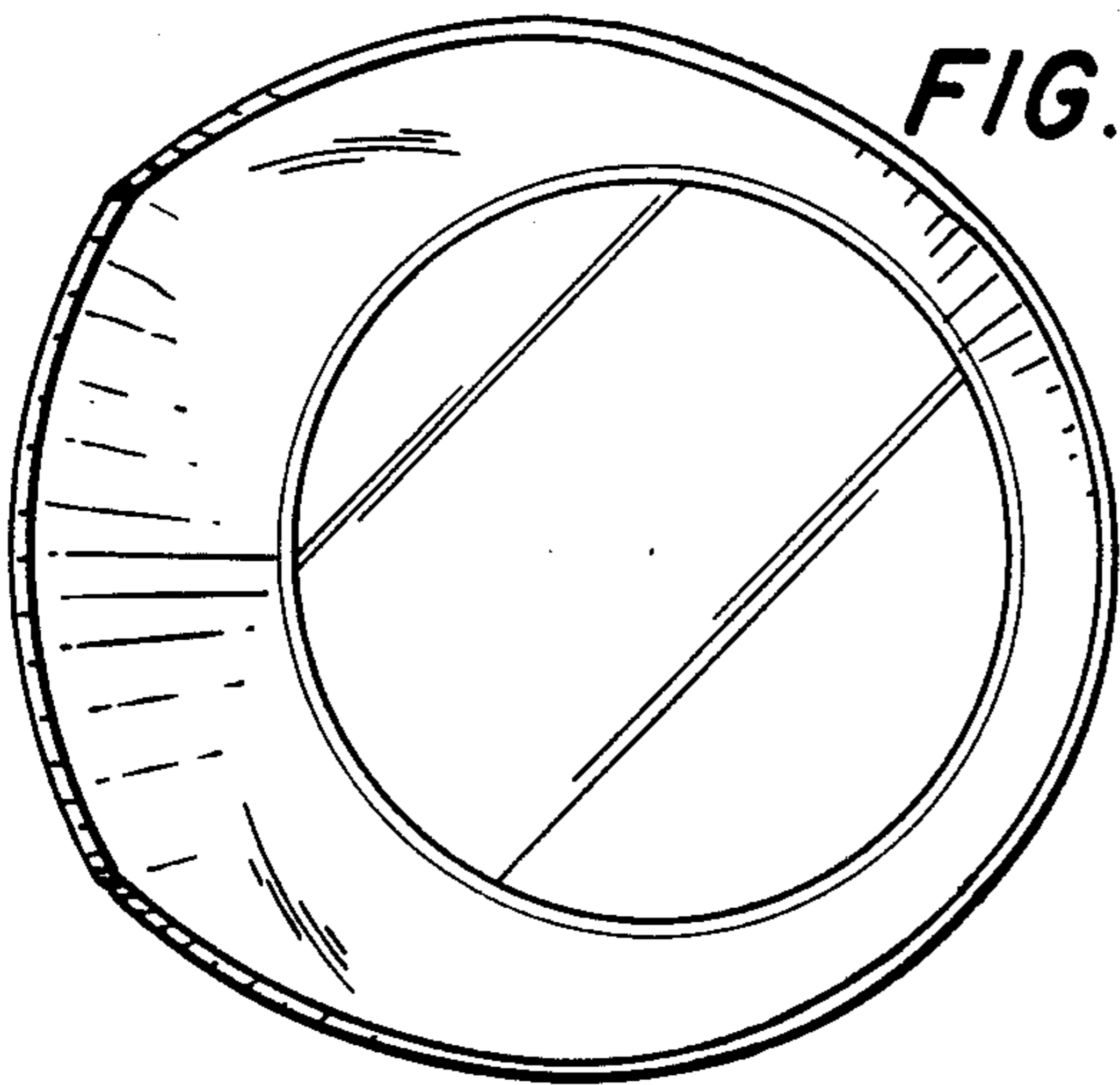


FIG. 6

