

[54] CONVERTIBLE SKIRT AND SHORT PANTS GARMENT OR THE LIKE

[76] Inventor: Sarah E. Rahaim, 3300 Atlantic Blvd., Jacksonville, Fla. 32207

[**] Term: 14 Years

[21] Appl. No.: 662,351

[22] Filed: Mar. 1, 1976

[51] Int. Cl. D2-02

[52] U.S. Cl. D2/28; D2/223

[58] Field of Search D2/27-30, D2/33, 49-58, 62, 73, 76, 79, 80, 82, 83, 87-91, 121, 123, 125, 131, 146, 179-186, 208, 209, 215, 216, 223, 224, 226, 227, 343, 346, 348, 378, 379, 452; 2/211, 213

[56] References Cited

U.S. PATENT DOCUMENTS

D. 86,602	3/1932	Hicks	D2/28
D. 242,663	12/1976	Tidwell	D2/28
727,243	5/1903	White	D2/28
2,202,608	5/1940	Stovall	D2/28

FOREIGN PATENT DOCUMENTS

836,679	1/1939	France	D2/28
---------	--------	--------------	-------

OTHER PUBLICATIONS

The Evening Star, 4-5-72, p. A-9, Male Slacks & Jeans Ad.

Men's Wear, 2-22-74, p. 79, left pants.

Primary Examiner—Joel Stearman

Assistant Examiner—J. Corrigan

Attorney, Agent, or Firm—George H. Baldwin

[57] CLAIM

The ornamental design for convertible skirt and short

pants garment or the like, substantially as shown and described.

DESCRIPTION

FIG. 1 is a front elevational view of a convertible skirt and short pants garment or the like showing my new design in skirt form;
 FIG. 2 is a right side elevational view thereof;
 FIG. 3 is a rear elevational view thereof;
 FIG. 4 is a top plan view thereof;
 FIG. 5 is a bottom view thereof;
 FIG. 6 is an enlarged fragmentary view similar to FIG. 5 showing the front center of the garment;
 FIG. 7 is an enlarged fragmentary view similar to FIG. 5 showing the rear center of the garment;
 FIG. 8 is a fragmentary view similar to FIG. 3 showing the garment in short pants form;
 FIG. 9 is a view similar to FIG. 5 showing the garment in short pants form;
 FIG. 10 is a front elevational view of another embodiment of a convertible skirt and short pants garment or the like showing my new design, wherein the garment is shorter and the front pockets are omitted, in skirt form;
 FIG. 11 is a right side elevational view thereof;
 FIG. 12 is a rear elevational view thereof;
 FIG. 13 is a top plan view thereof;
 FIG. 14 is a bottom view thereof;
 FIG. 15 is an enlarged fragmentary view of the FIG. 10 garment similar to FIG. 6;
 FIG. 16 is an enlarged fragmentary view of the FIG. 10 garment similar to FIG. 7;
 FIG. 17 is a bottom plan view of the FIG. 10 garment;
 FIG. 18 is an enlarged fragmentary view of the FIG. 10 garment showing the crotch; and
 FIG. 19 is a fragmentary view of the FIG. 10 garment similar to FIG. 8.

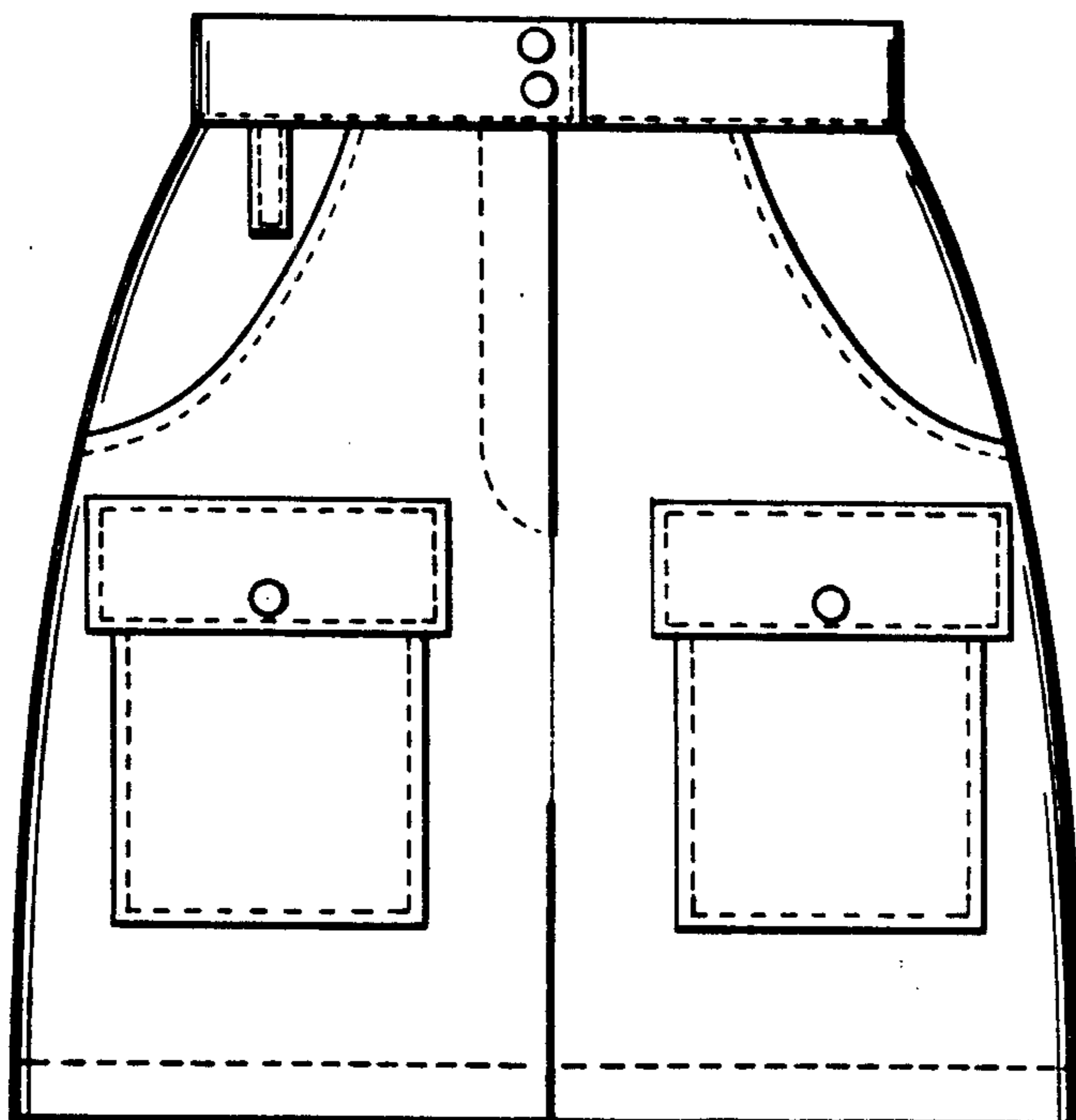


FIG. 1

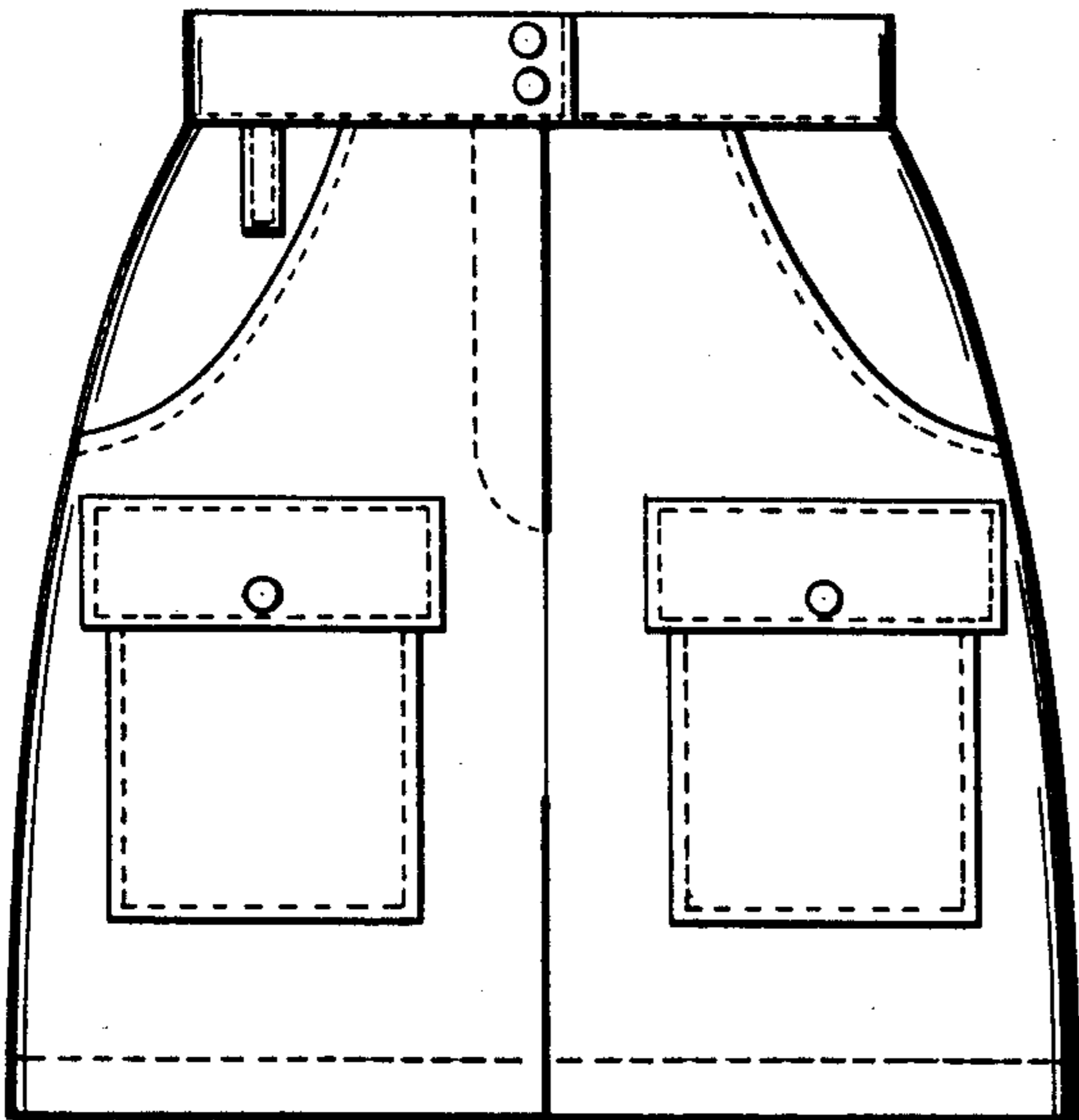


FIG. 2

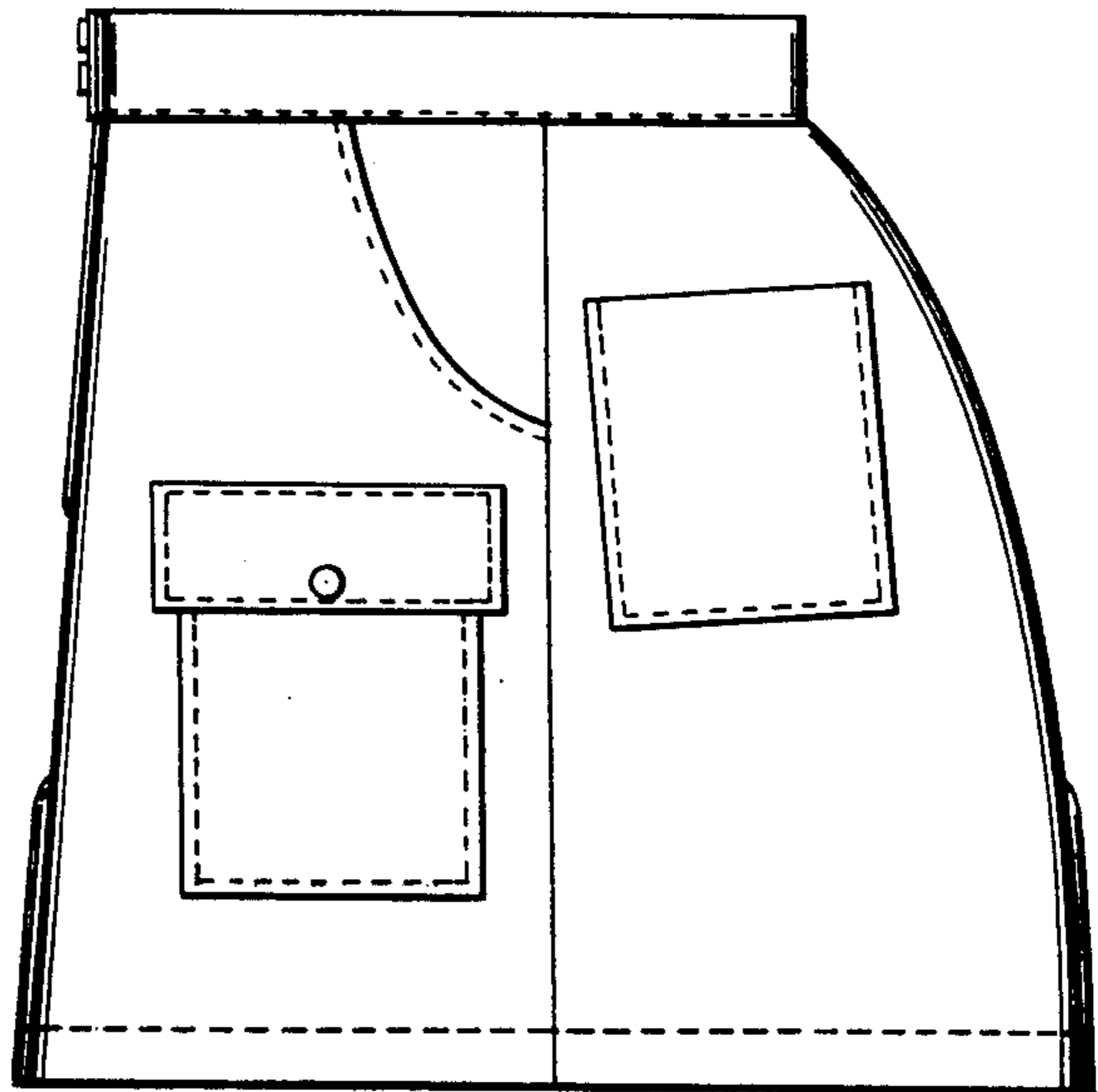


FIG. 4

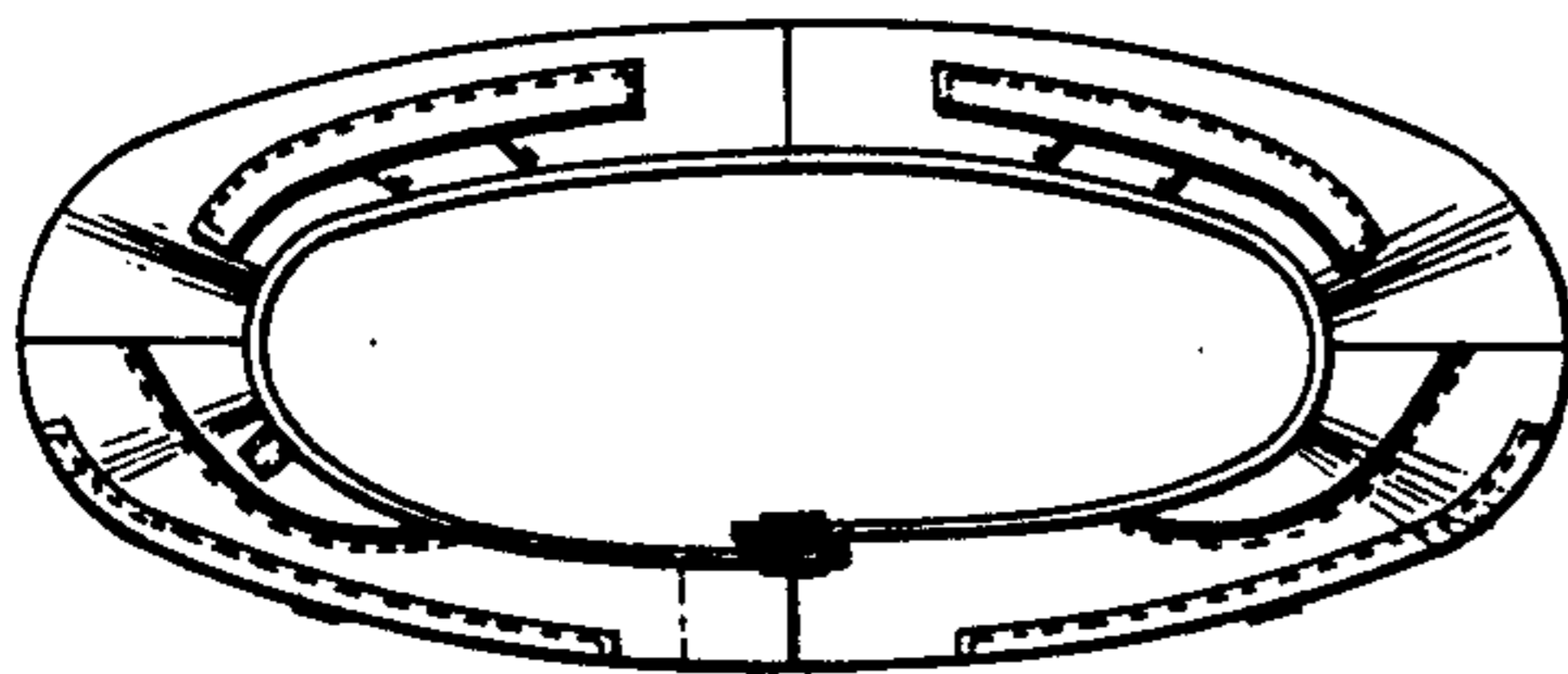


FIG. 3

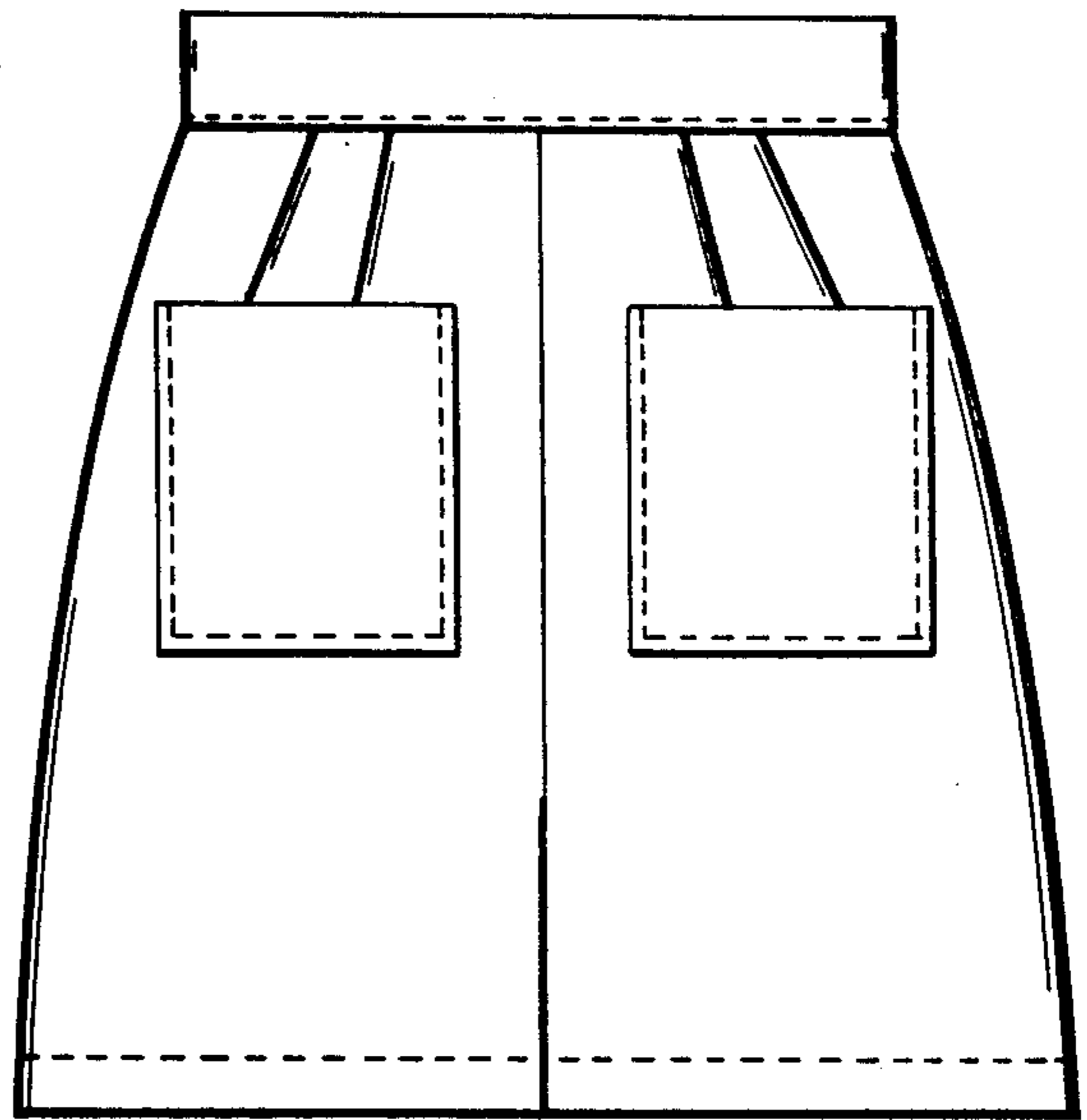


FIG. 5

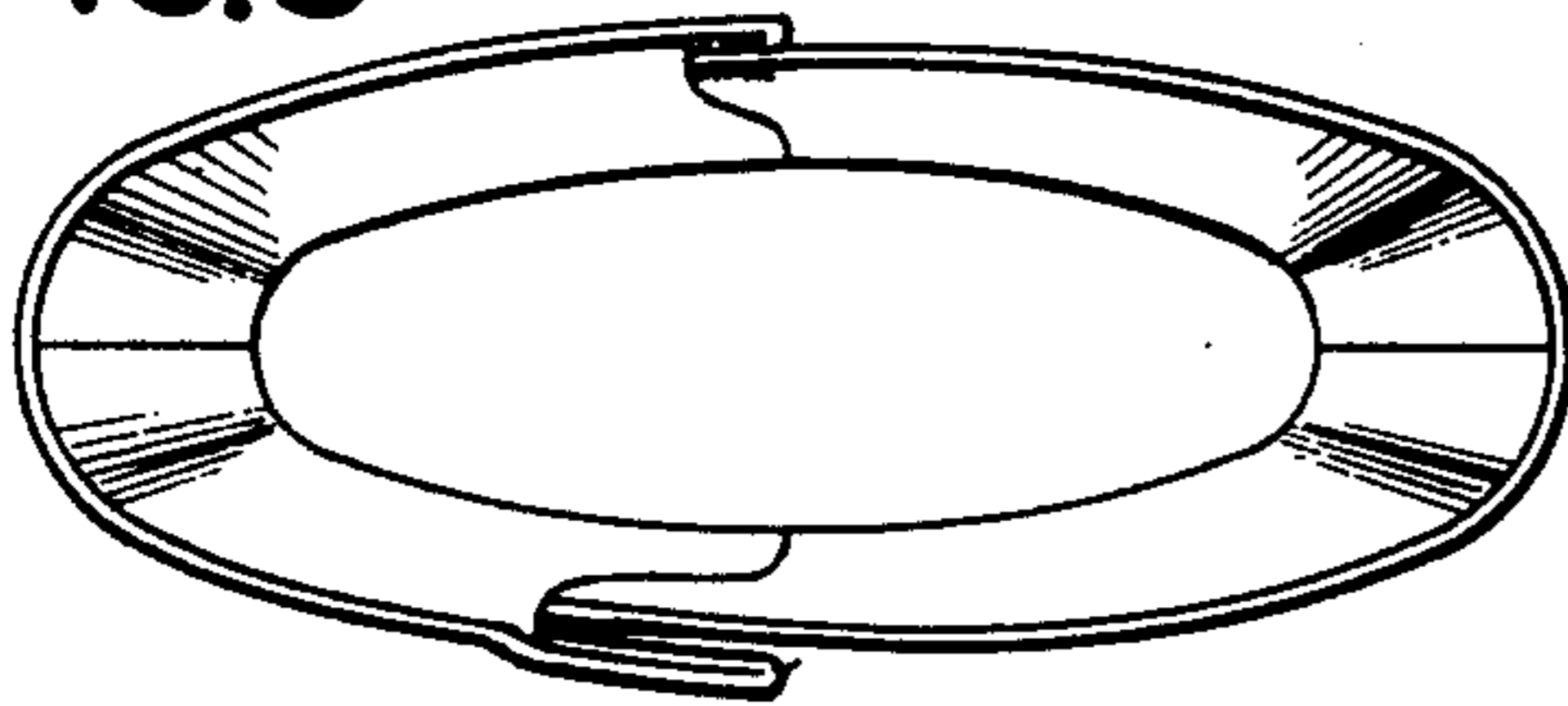


FIG. 6

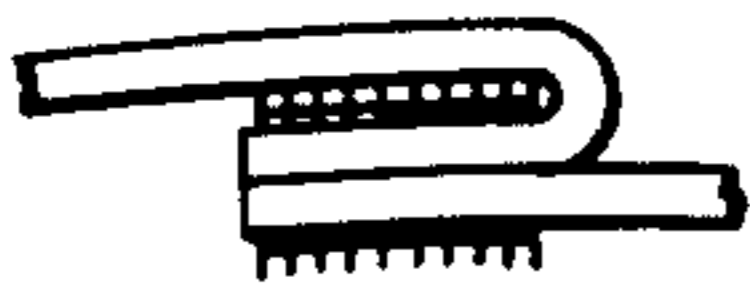


FIG. 7

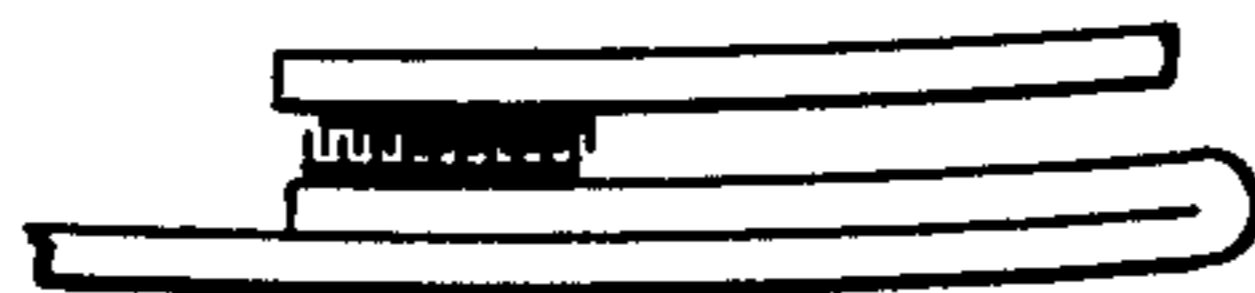


FIG. 8

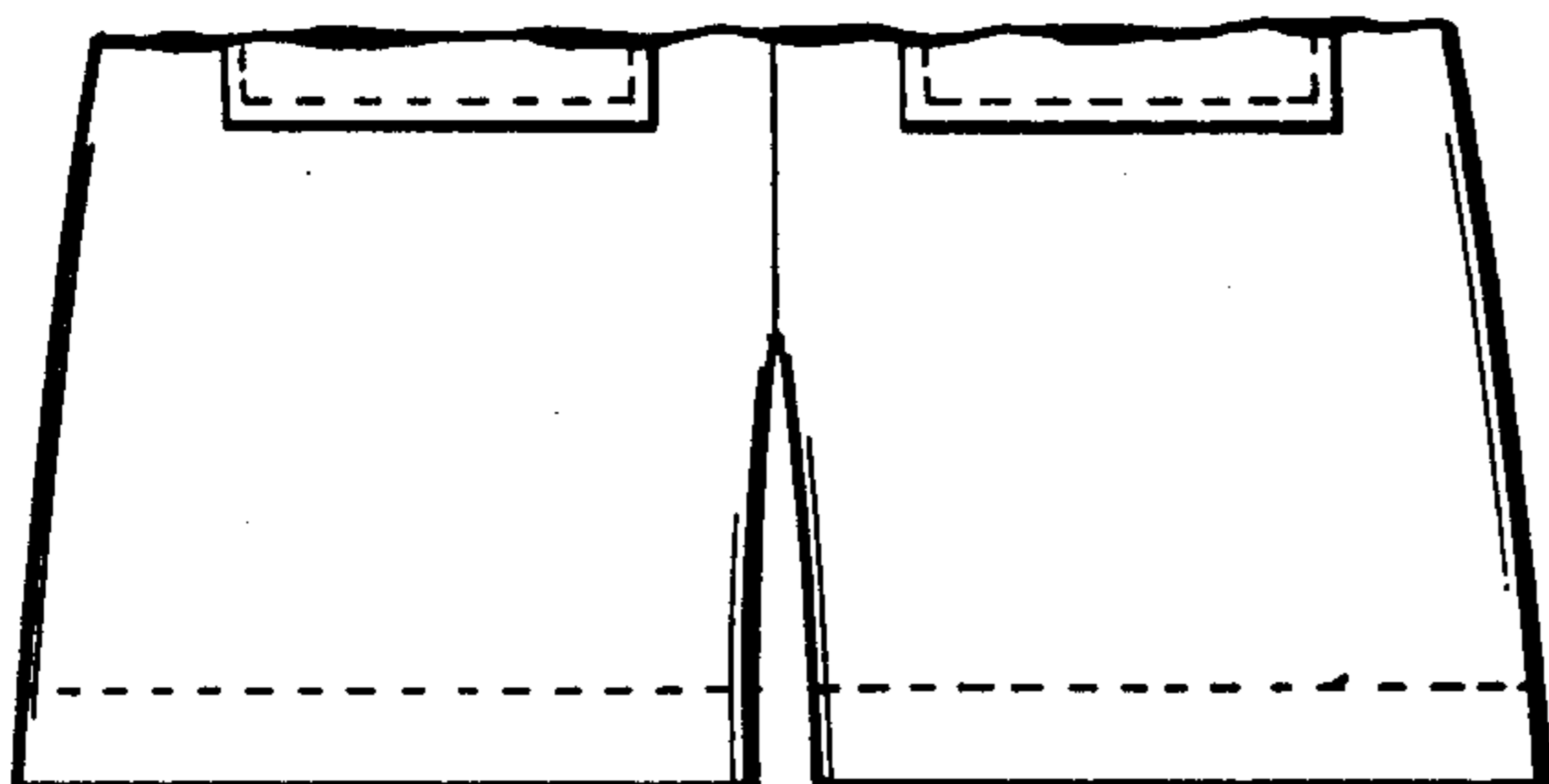


FIG. 9

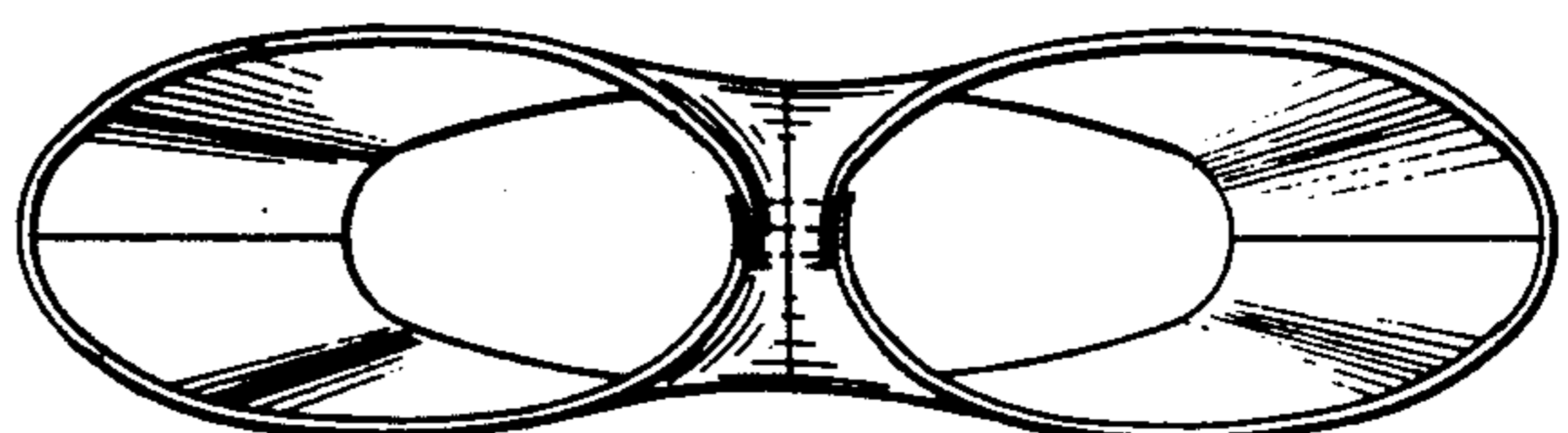


FIG. 10

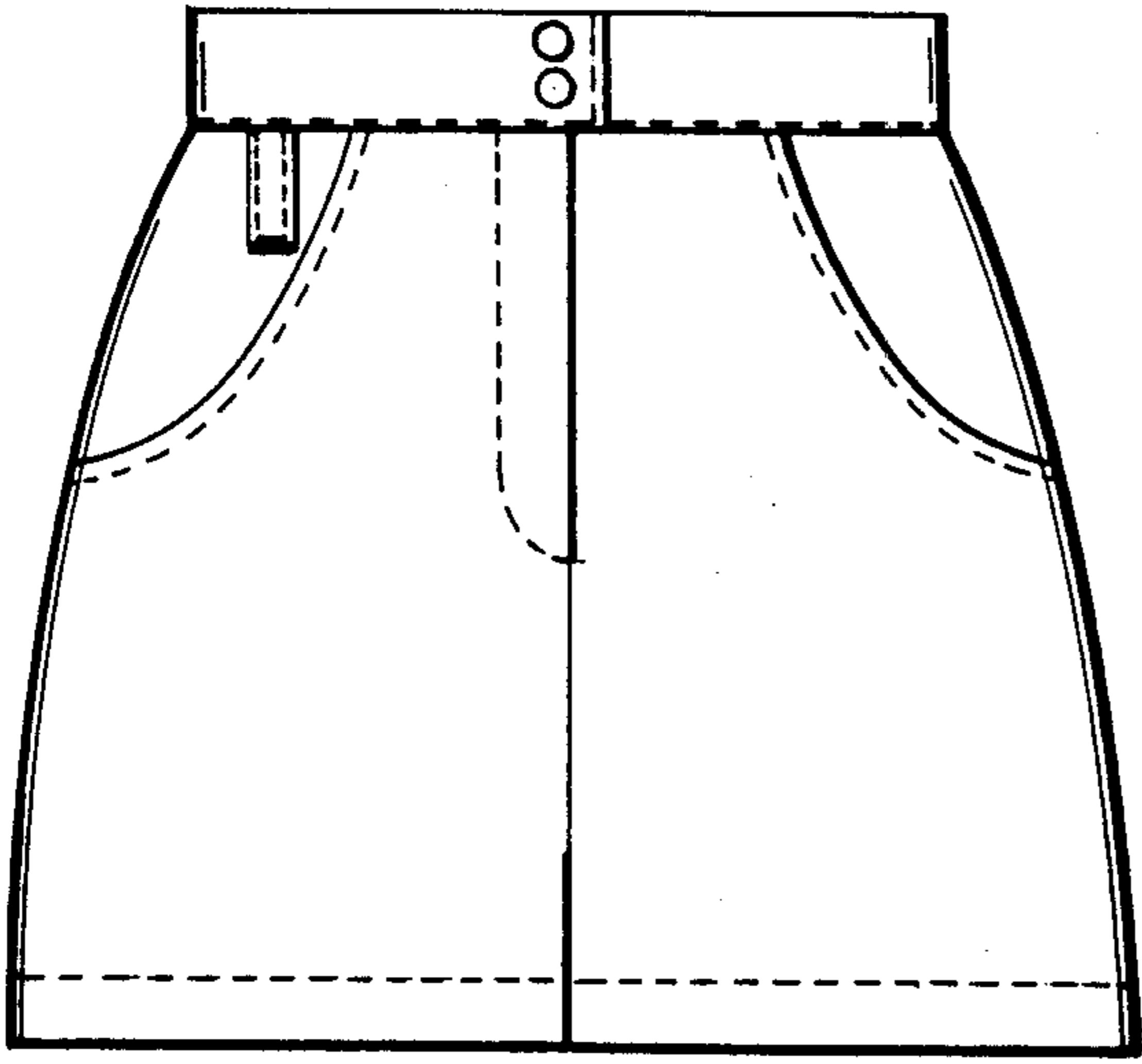


FIG. 11

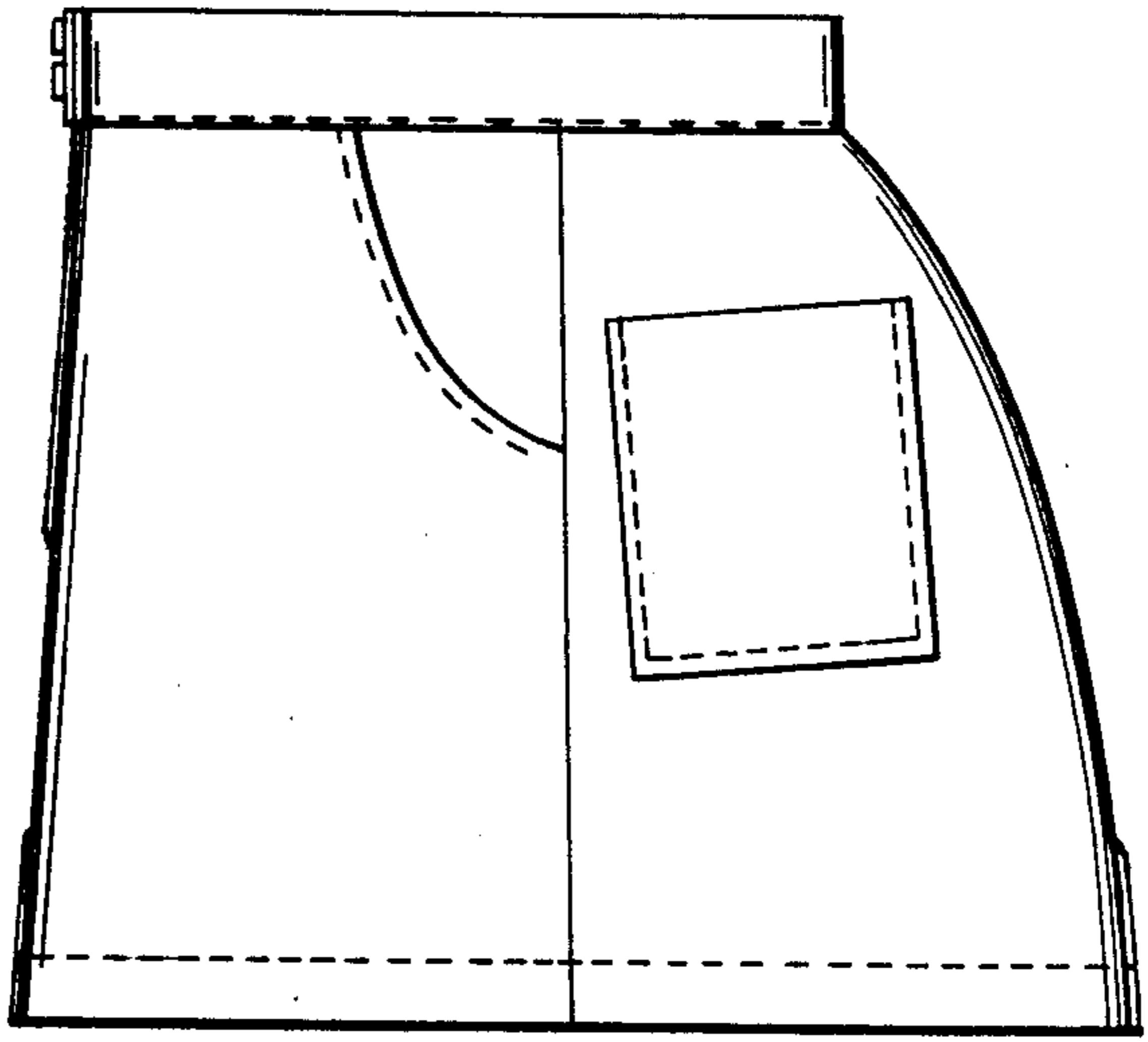


FIG. 13

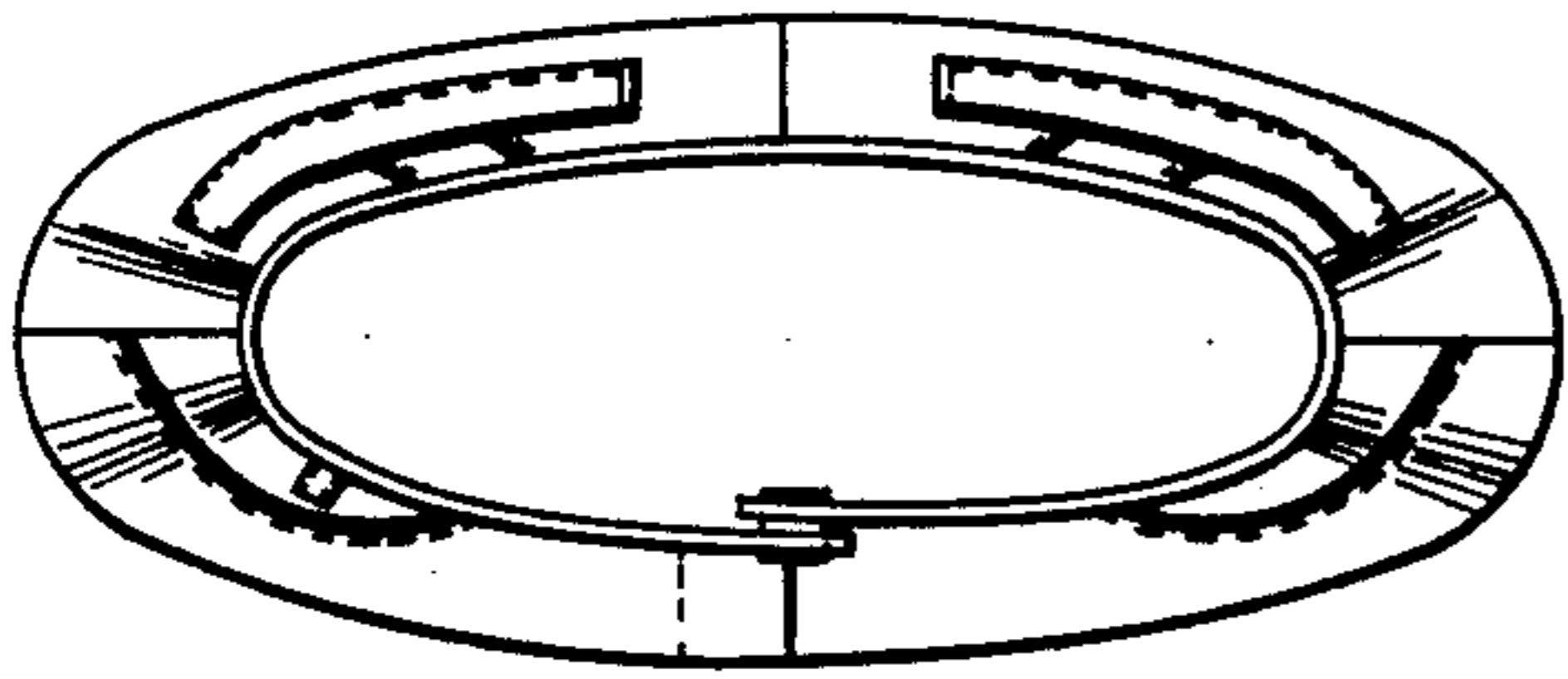


FIG. 12

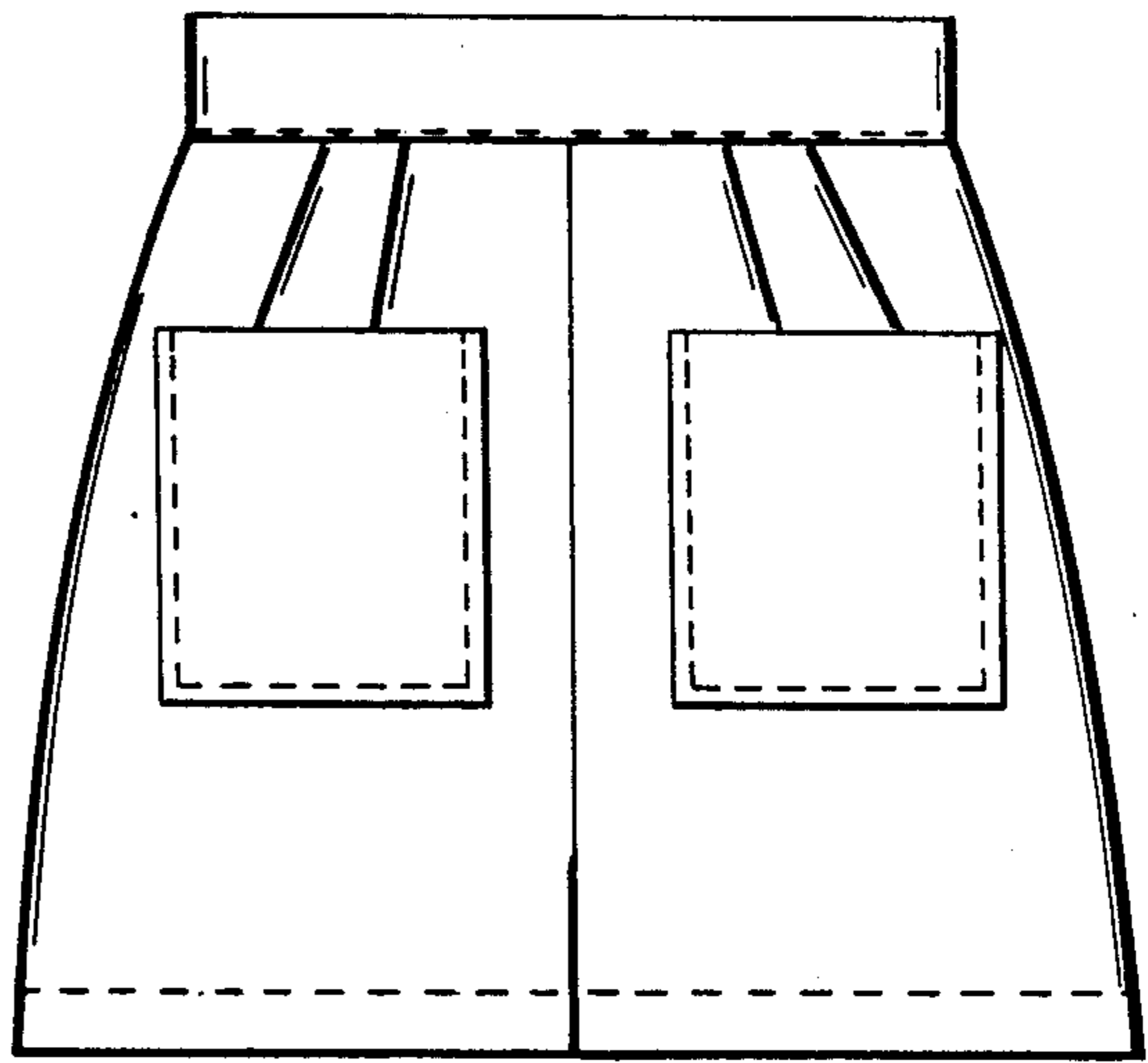


FIG. 14

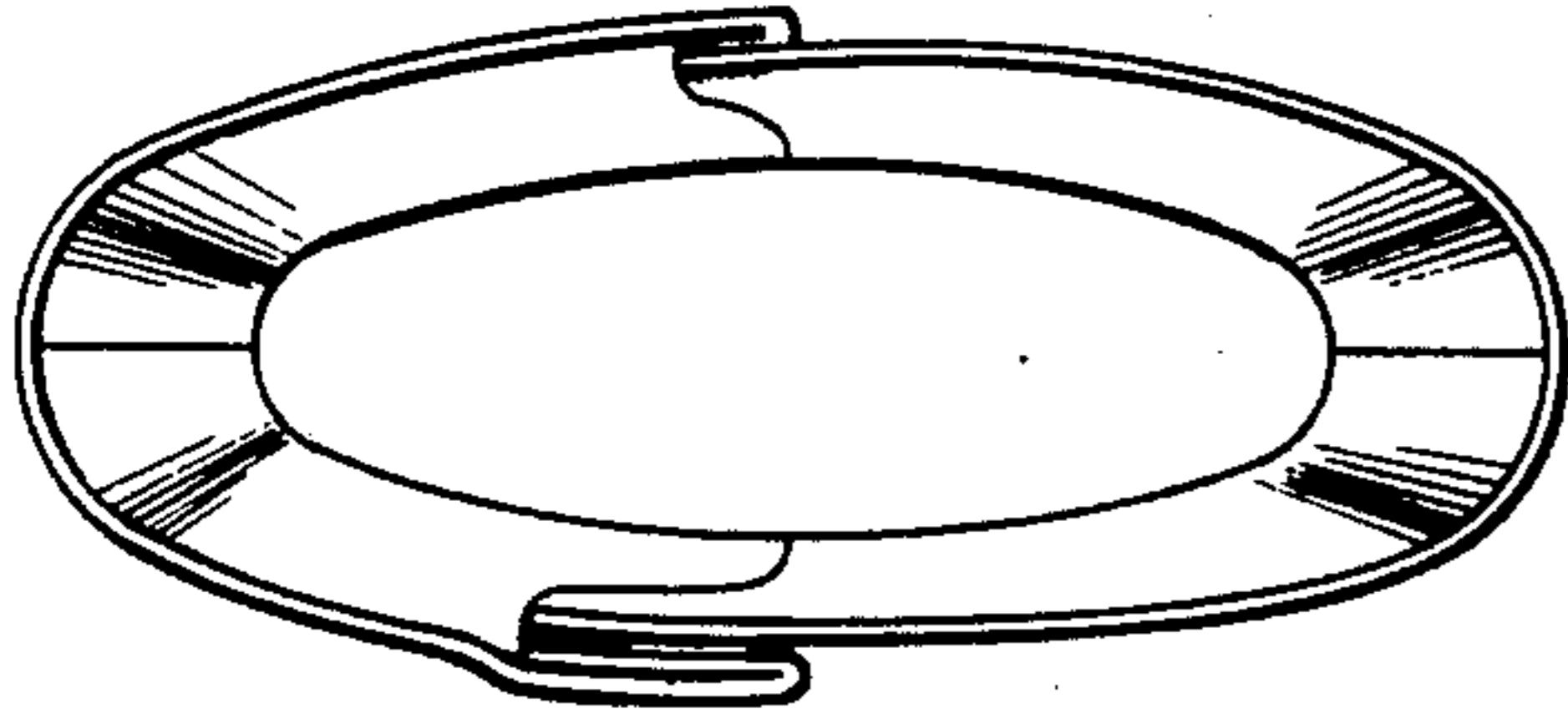


FIG. 15

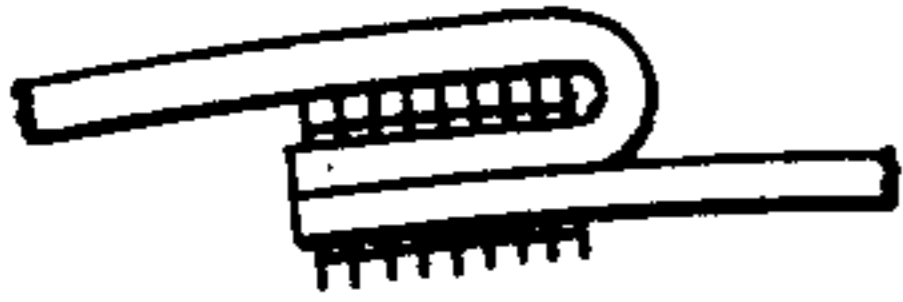


FIG. 16

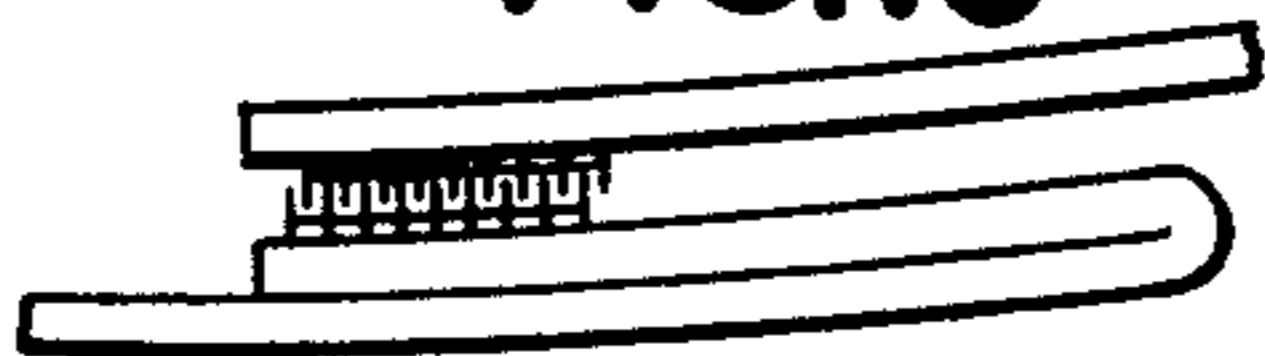


FIG. 19

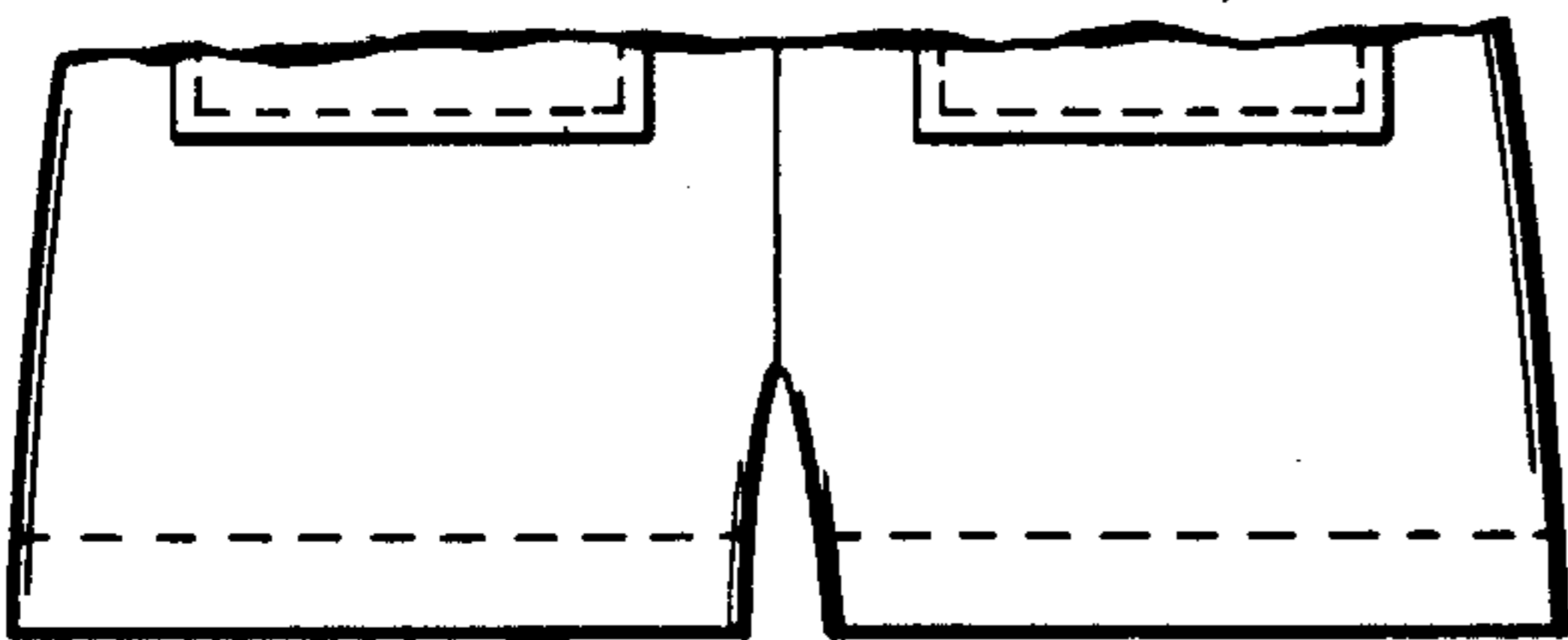


FIG. 17

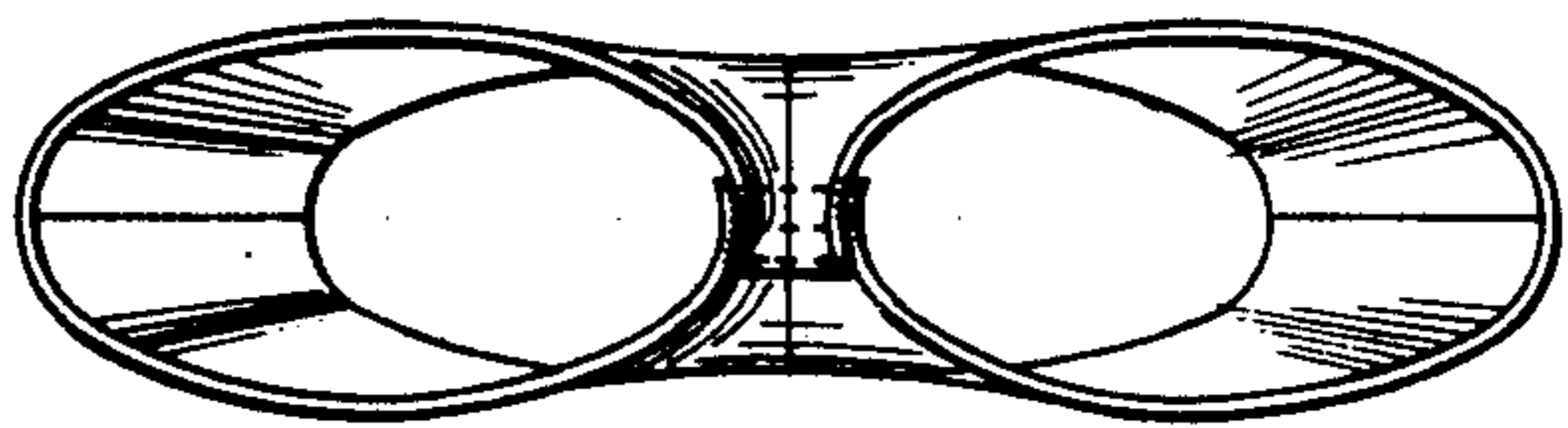


FIG. 18

