

[54] TENT

[76] Inventor: Arthur H. Stewart, Jr., 1904 S. Glendon Dr., Melbourne, Fla. 32901

[**] Term: 14 Years

[21] Appl. No.: 720,793

[22] Filed: Sep. 7, 1976

[51] Int. Cl. D21-04

[52] U.S. Cl. D88/3 B

[58] Field of Search D88/3 B, 1; 133/1 R, 133/1 A, 4 R, 4 A, 3 E, 14 R, 20 R

[56] References Cited

U.S. PATENT DOCUMENTS

- D. 205,749 9/1966 Moss D88/3 B
- D. 232,850 9/1974 Bloyd D88/3 B

OTHER PUBLICATIONS

Sporting Goods Dealer, 6-1971, p. 127, tent. Domus, 3-1975, p. 43, tent at #8.

Primary Examiner—Joel Stearman
Assistant Examiner—C. A. Rademaker
Attorney, Agent, or Firm—Richard D. Dixon

[57] CLAIM

The ornamental design for a tent, as shown and described.

DESCRIPTION

FIG. 1 is a front perspective view of a tent showing my new design;
FIG. 2 is a left side elevational view thereof;
FIG. 3 is a bottom plan view thereof;
FIG. 4 is a front elevational view thereof showing the front end flap in an open condition; and,
FIG. 5 is a rear elevational view thereof.

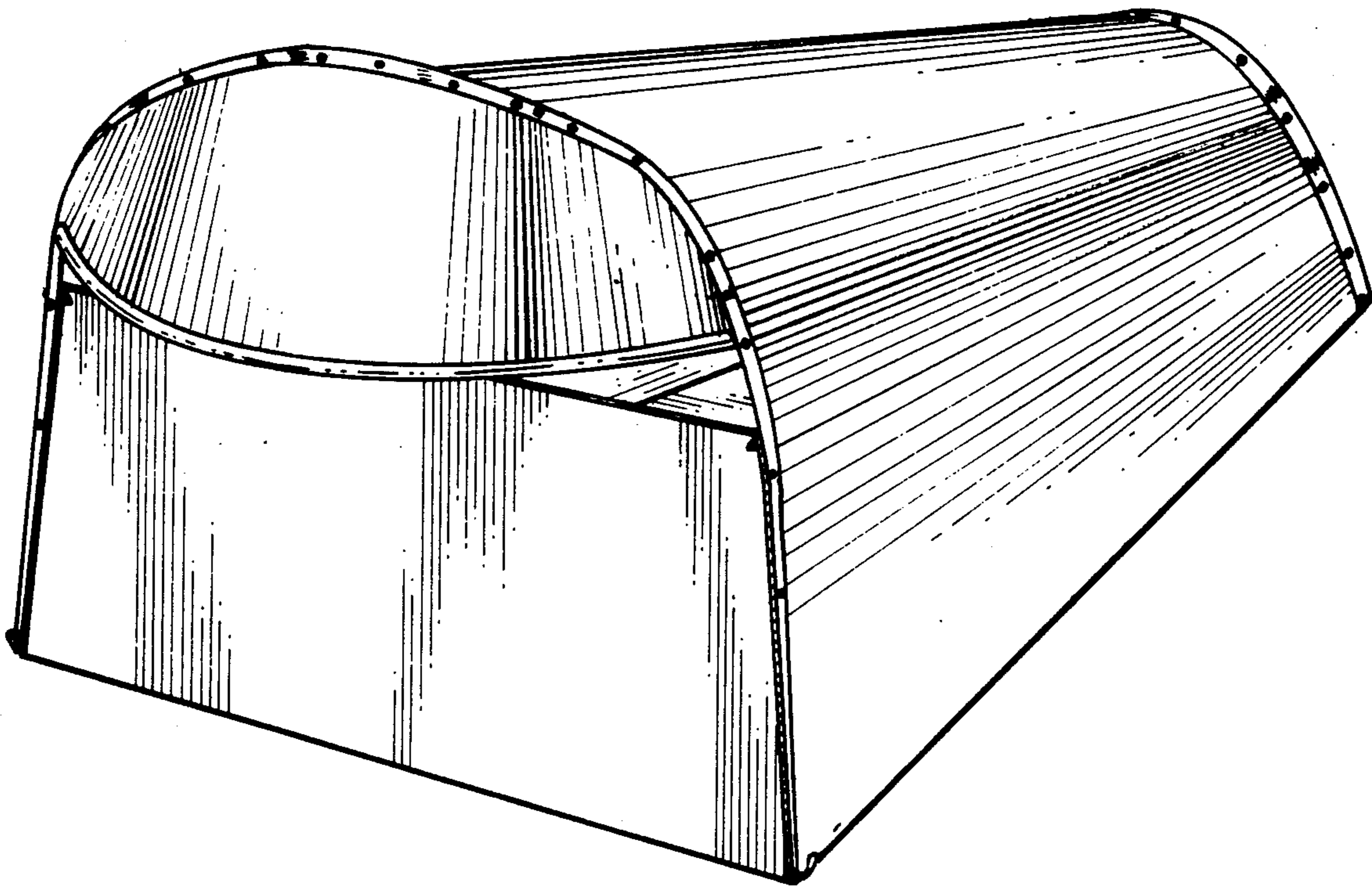


Fig. 1.

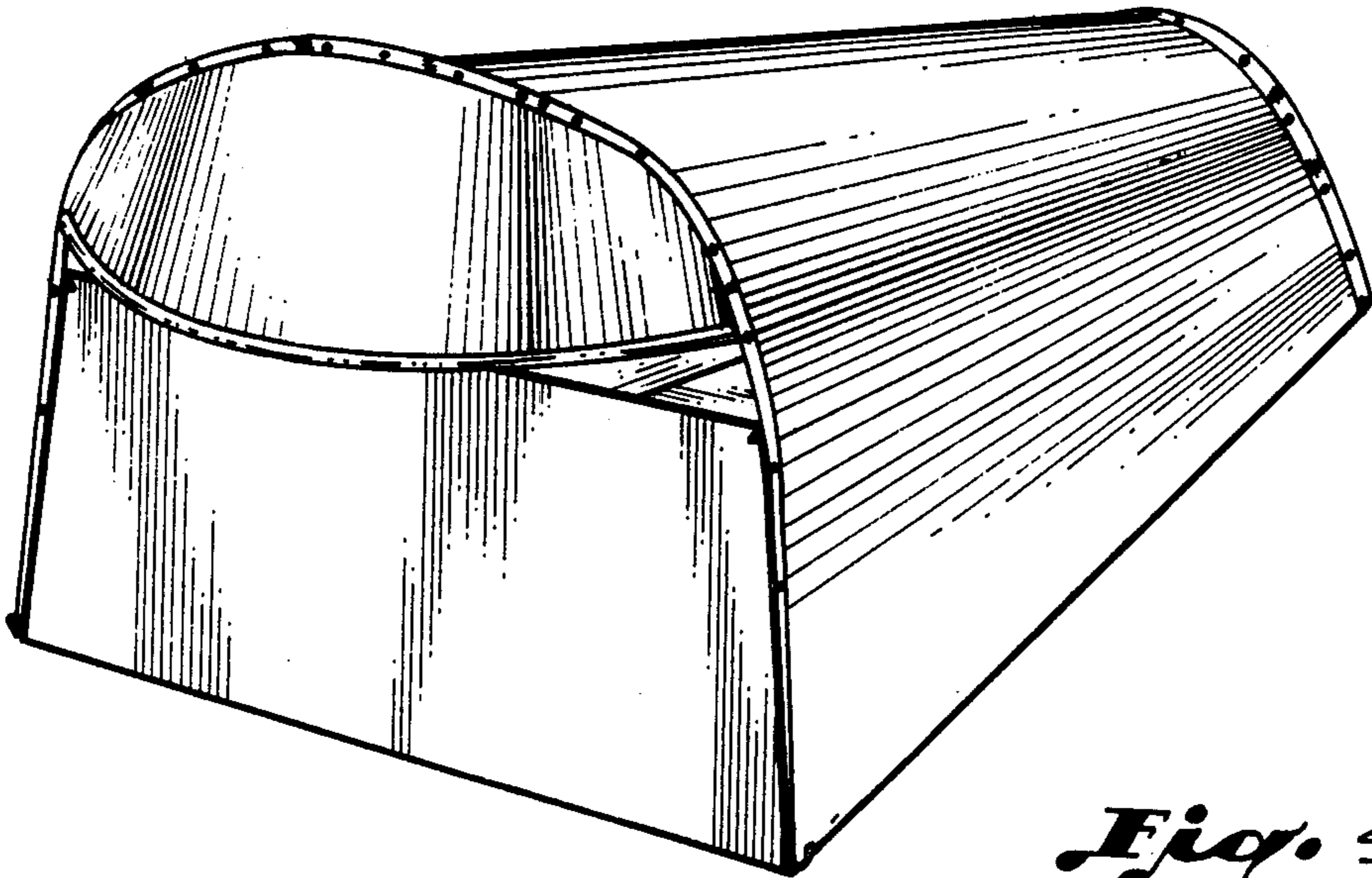


Fig. 4.

Fig. 2.

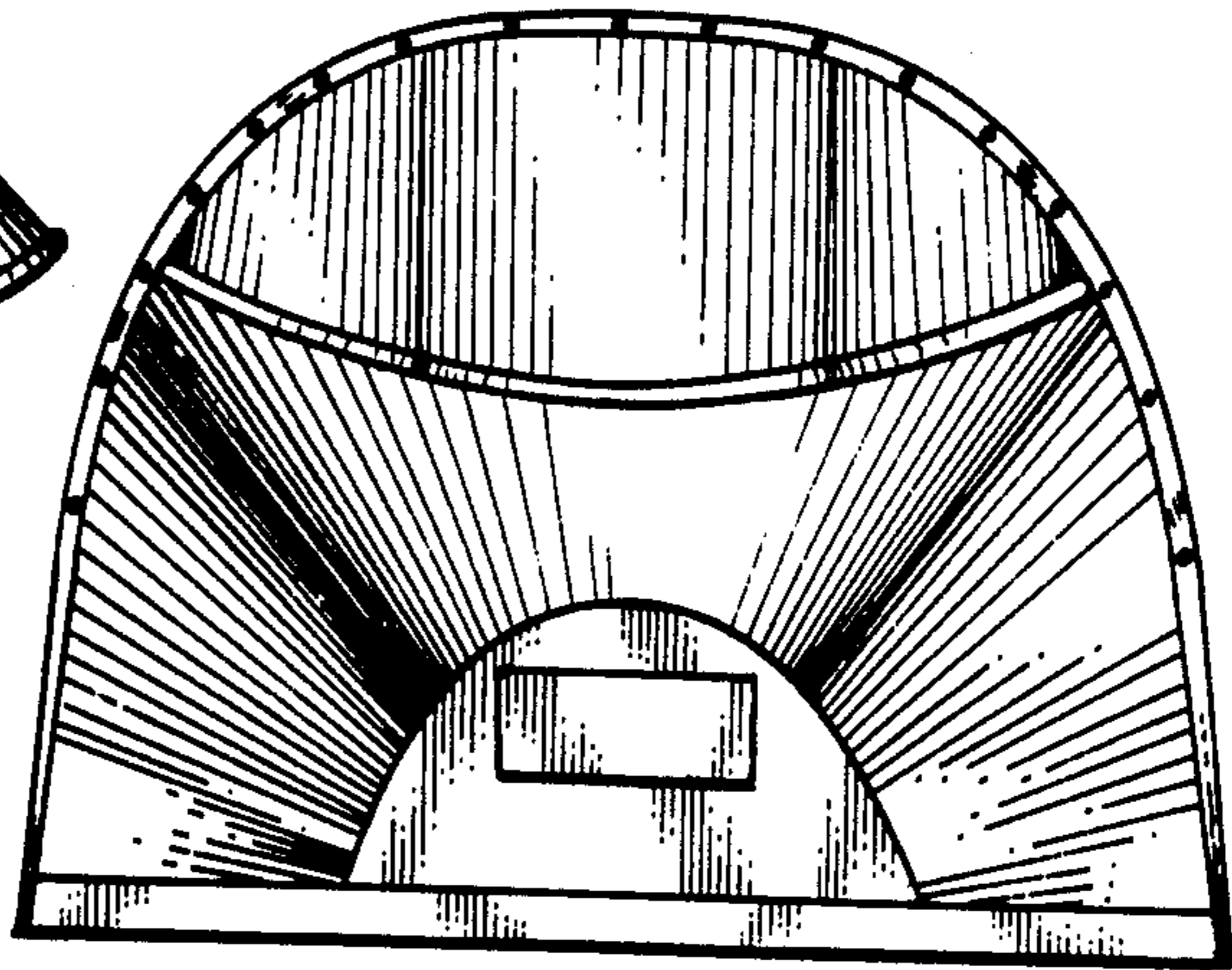
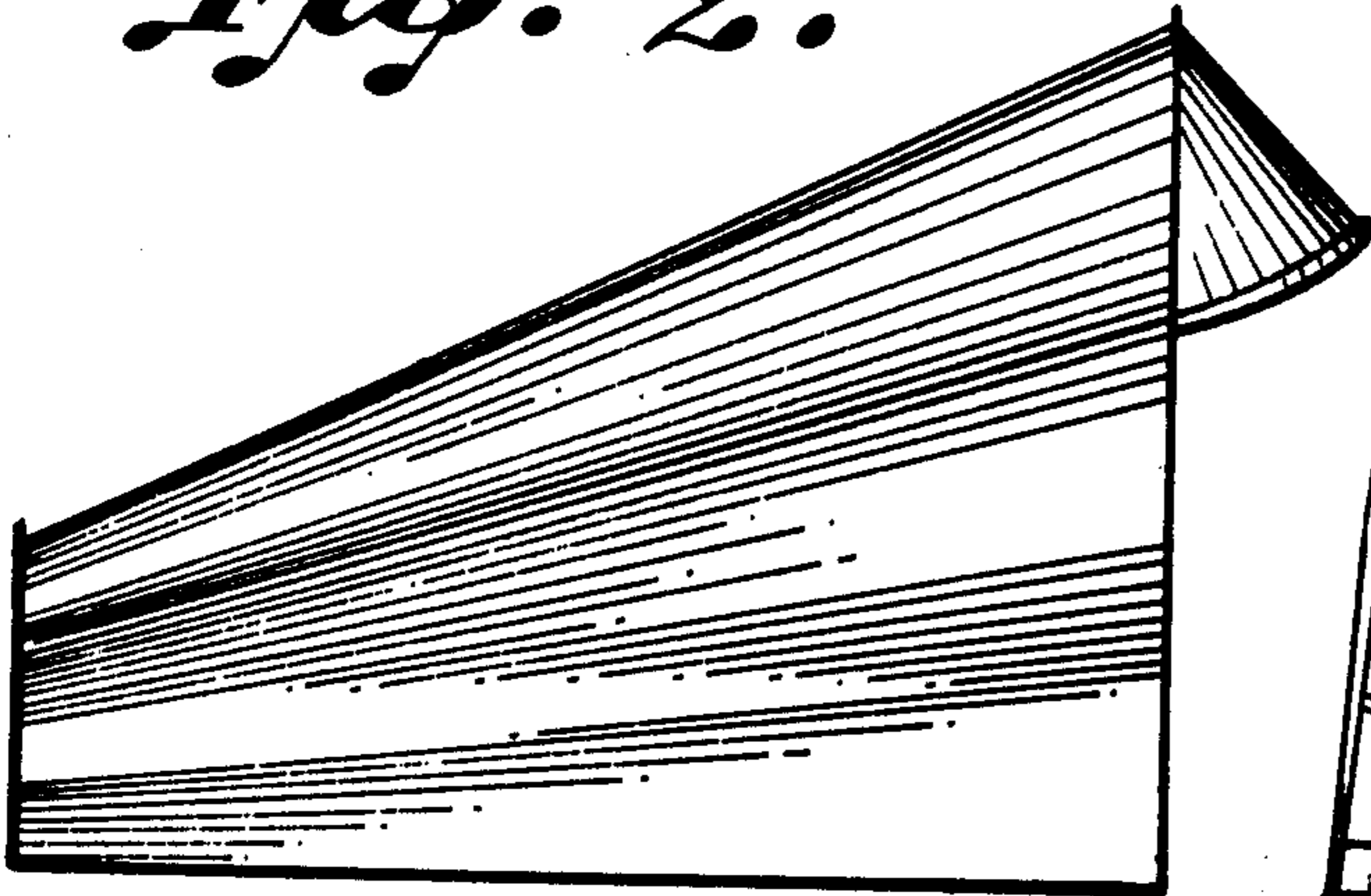


Fig. 3.

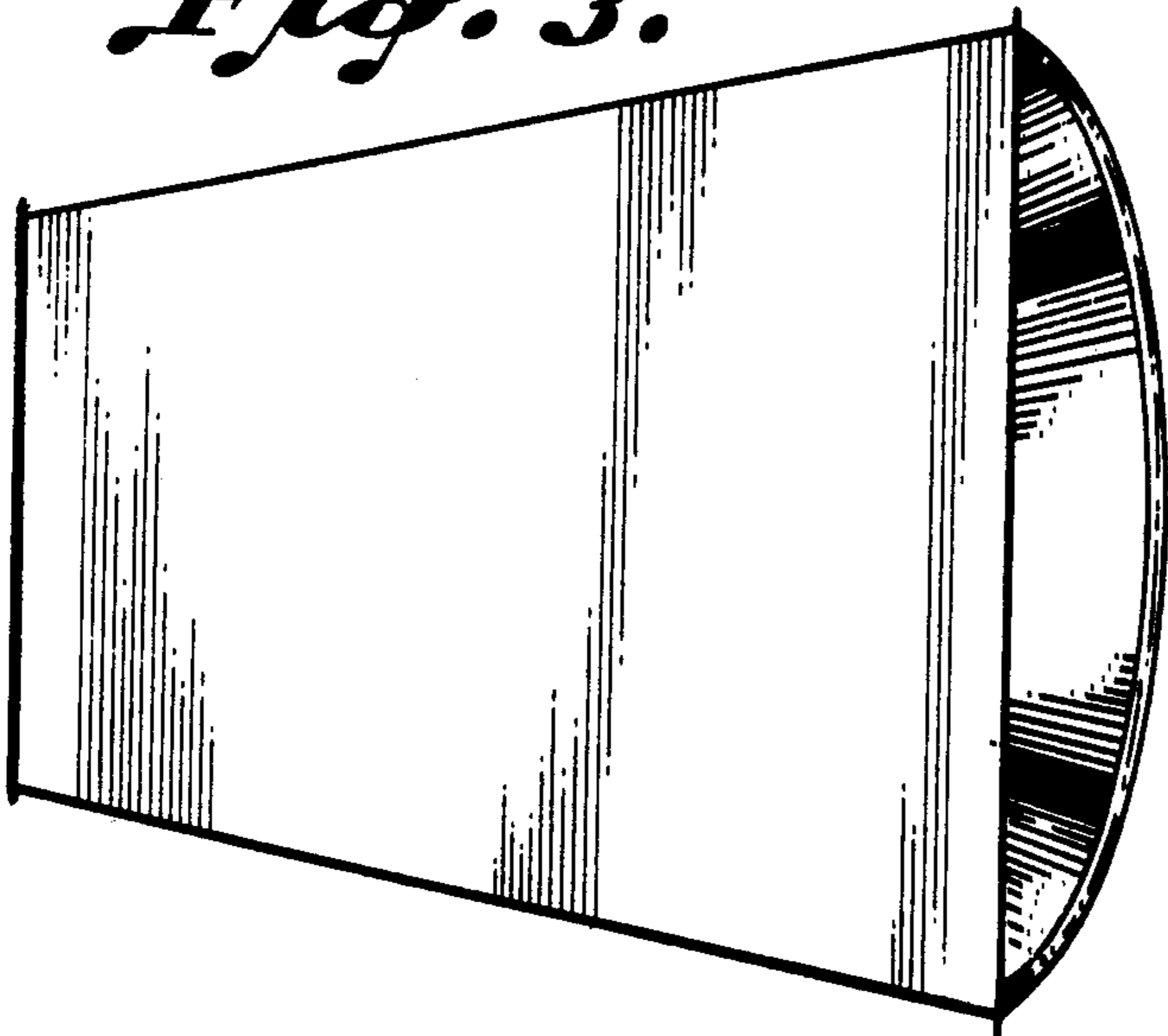


Fig. 5.

