

[54] TENNIS BALL PRINTER

[75] Inventor: Donald E. Studley, Atlanta, Ga.

[73] Assignee: Tennis Designs by Studley, Inc., Atlanta, Ga.

[\*\*] Term: 14 Years

[21] Appl. No.: 677,893

[22] Filed: Apr. 19, 1976

[51] Int. Cl. .... D18-02

[52] U.S. Cl. .... D64/10; D11/157

[58] Field of Search ..... D11/131-133, D11/140, 157; D19/96, 97; D6/20; D34/5 GH; D64/10; 428/11, 13, 14; 101/327, 368, 372, 373, 405, 406

[56] References Cited

U.S. PATENT DOCUMENTS

D. 158,699 5/1950 Wasilevich ..... D11/131 X

FOREIGN PATENT DOCUMENTS

277,042 11/1951 Switzerland ..... D64/10 X  
255,116 1/1949 Switzerland ..... 101/405

OTHER PUBLICATIONS

Trophies Catalog No. M6591 ©1955 by Dodge, Inc., p. 20—Trophy 1008 top right center.

Primary Examiner—Joel Stearman  
Assistant Examiner—Louis S. Zarfes  
Attorney, Agent, or Firm—Harold D. Jones, Jr.

[57] CLAIM

The ornamental design for a tennis ball printer, substantially as shown and described.

DESCRIPTION

FIG. 1 is a perspective view of a tennis ball printer showing my new design.

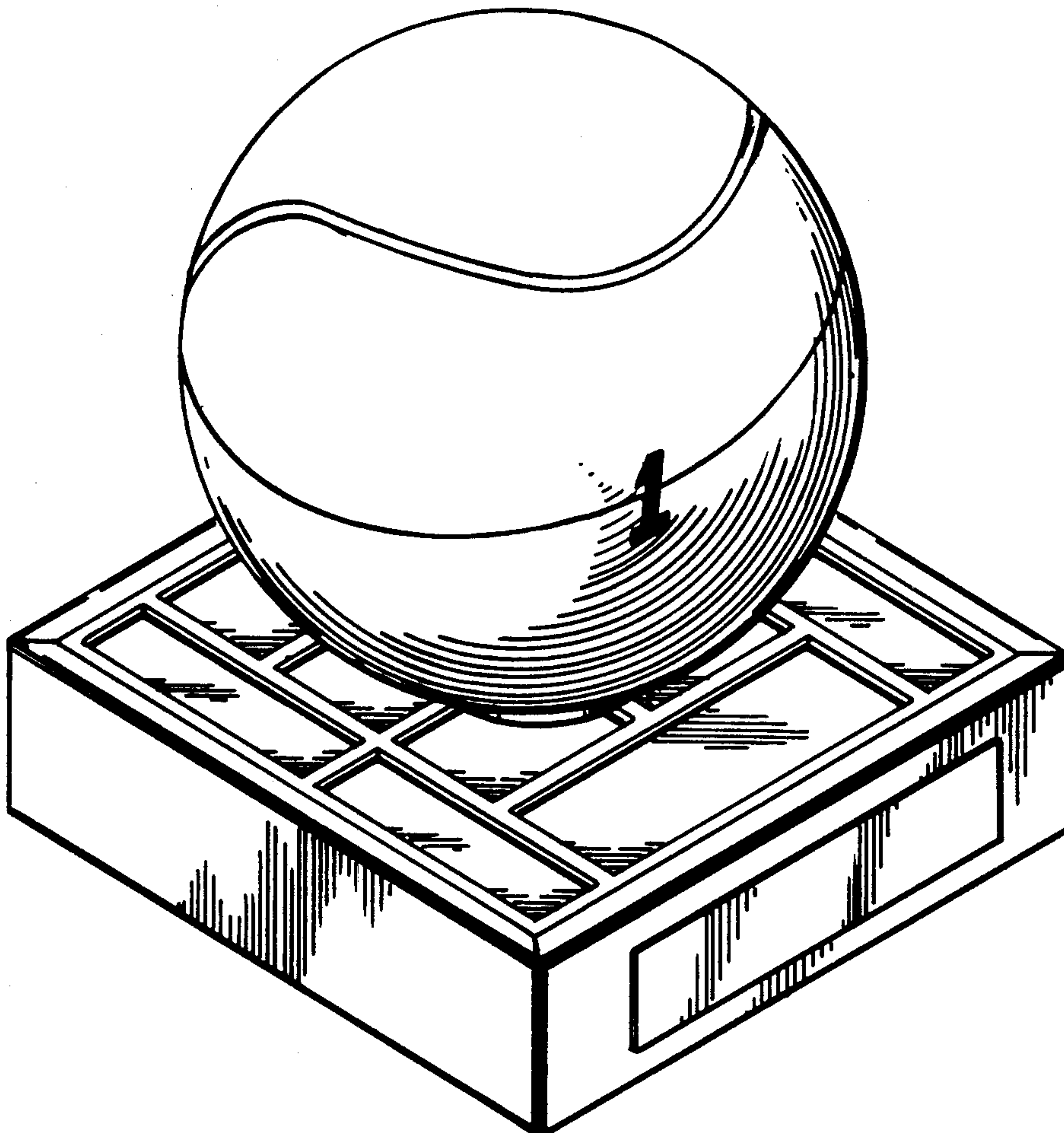
FIG. 2 is a top plan view thereof.

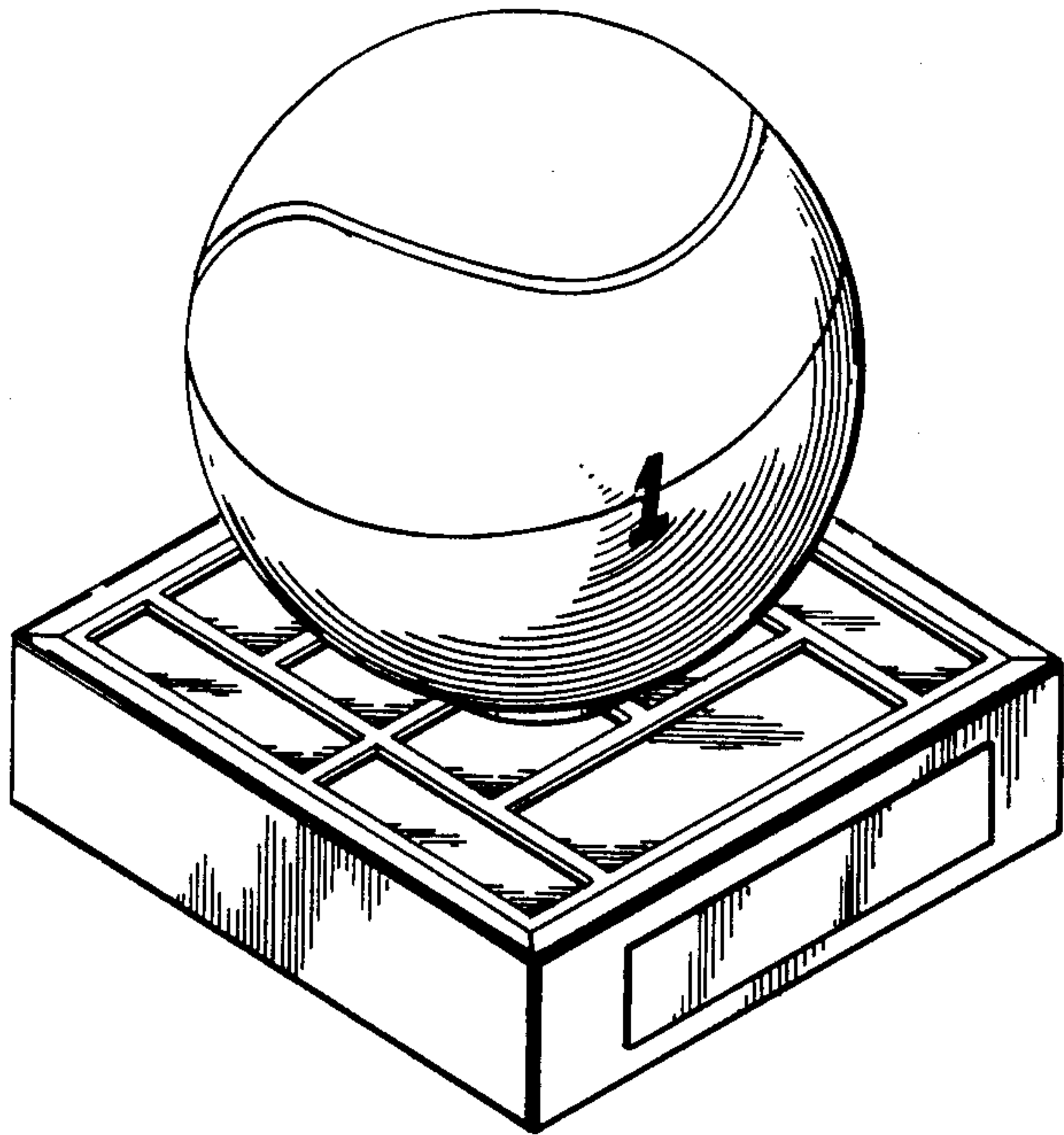
FIG. 3 is a bottom plan view thereof.

FIG. 4 is a back elevational view thereof.

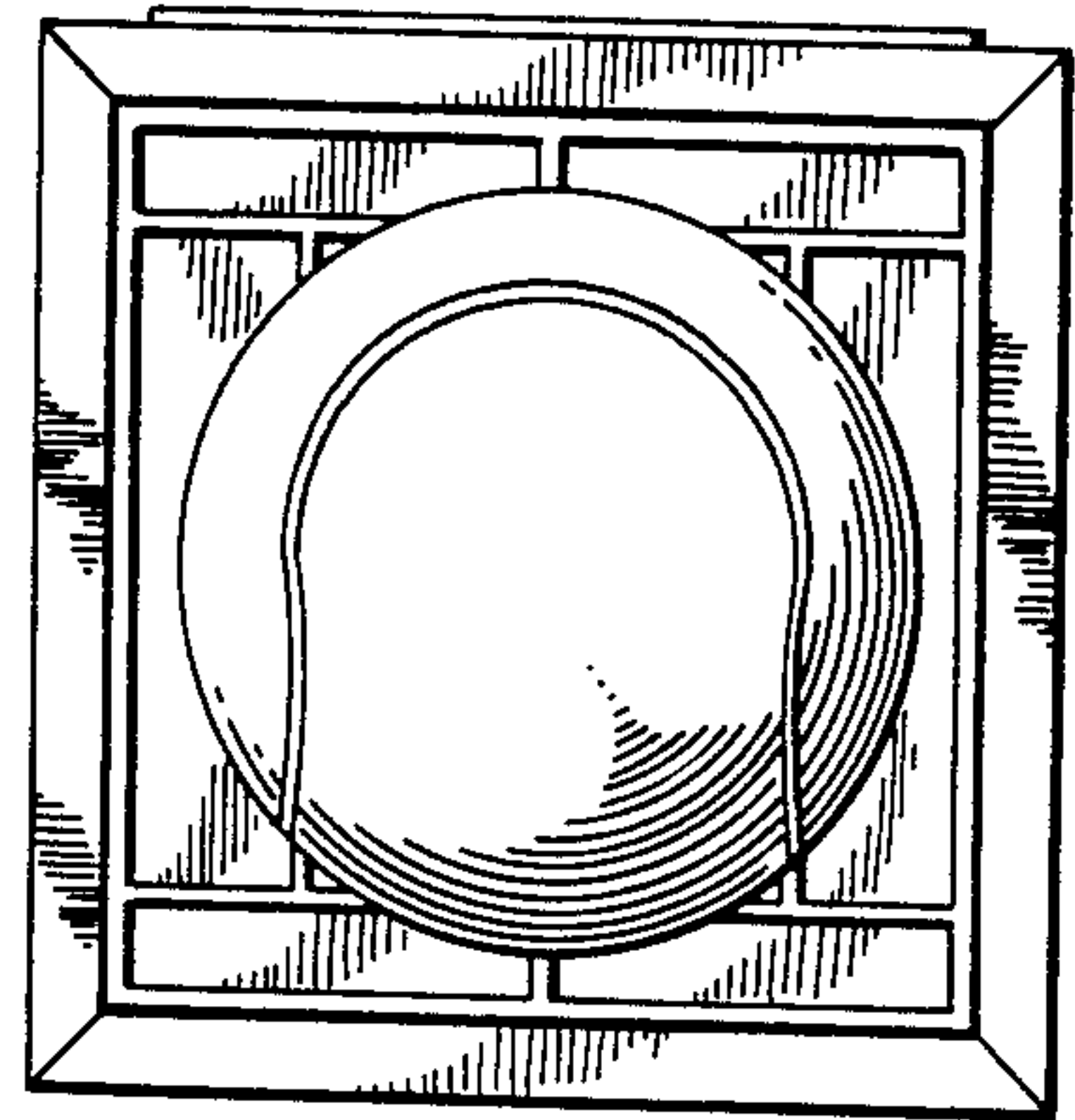
FIG. 5 is a front elevational view thereof.

FIG. 6 is a side elevational view thereof, with the opposite side being substantially a mirror image thereof.

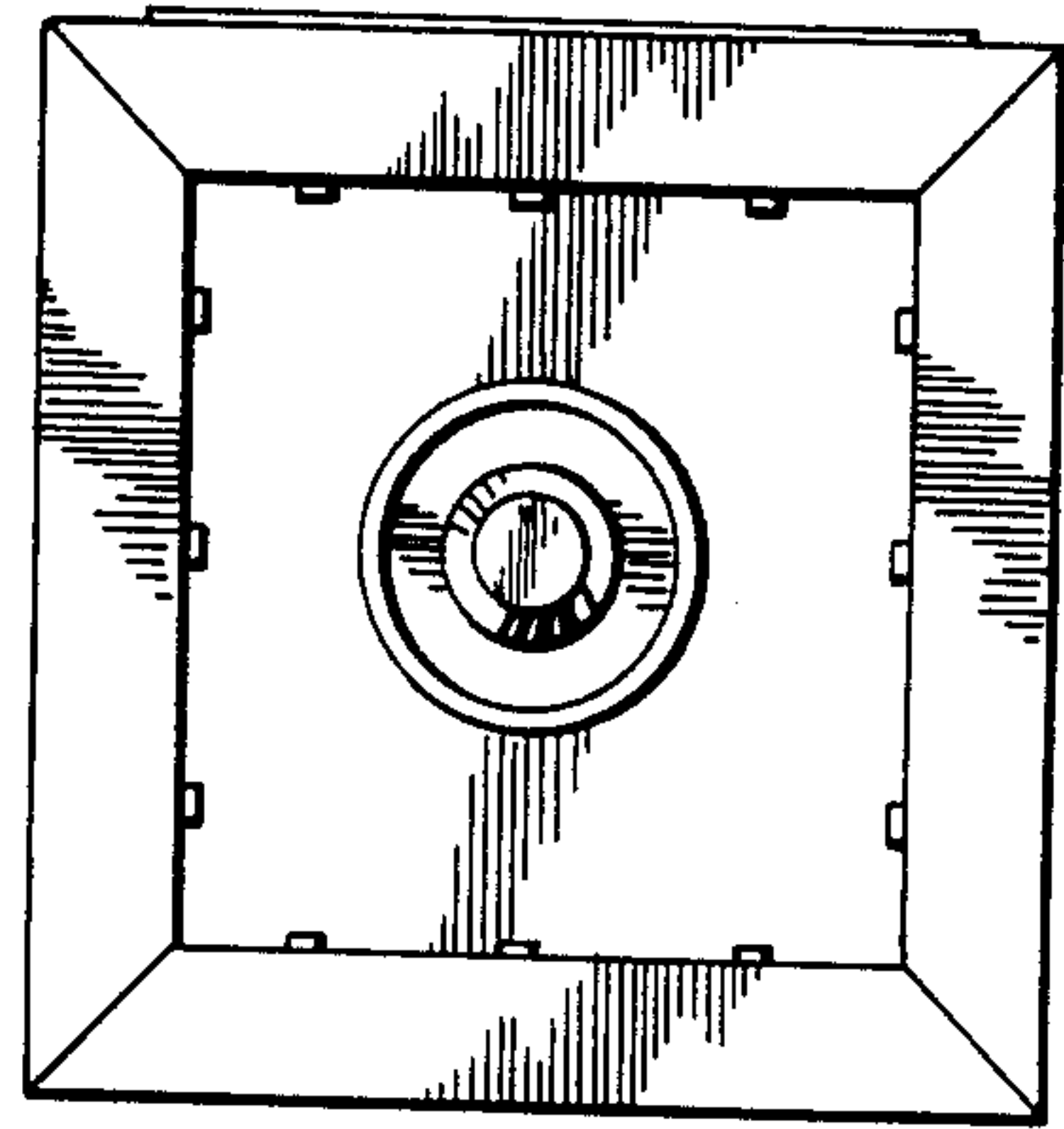




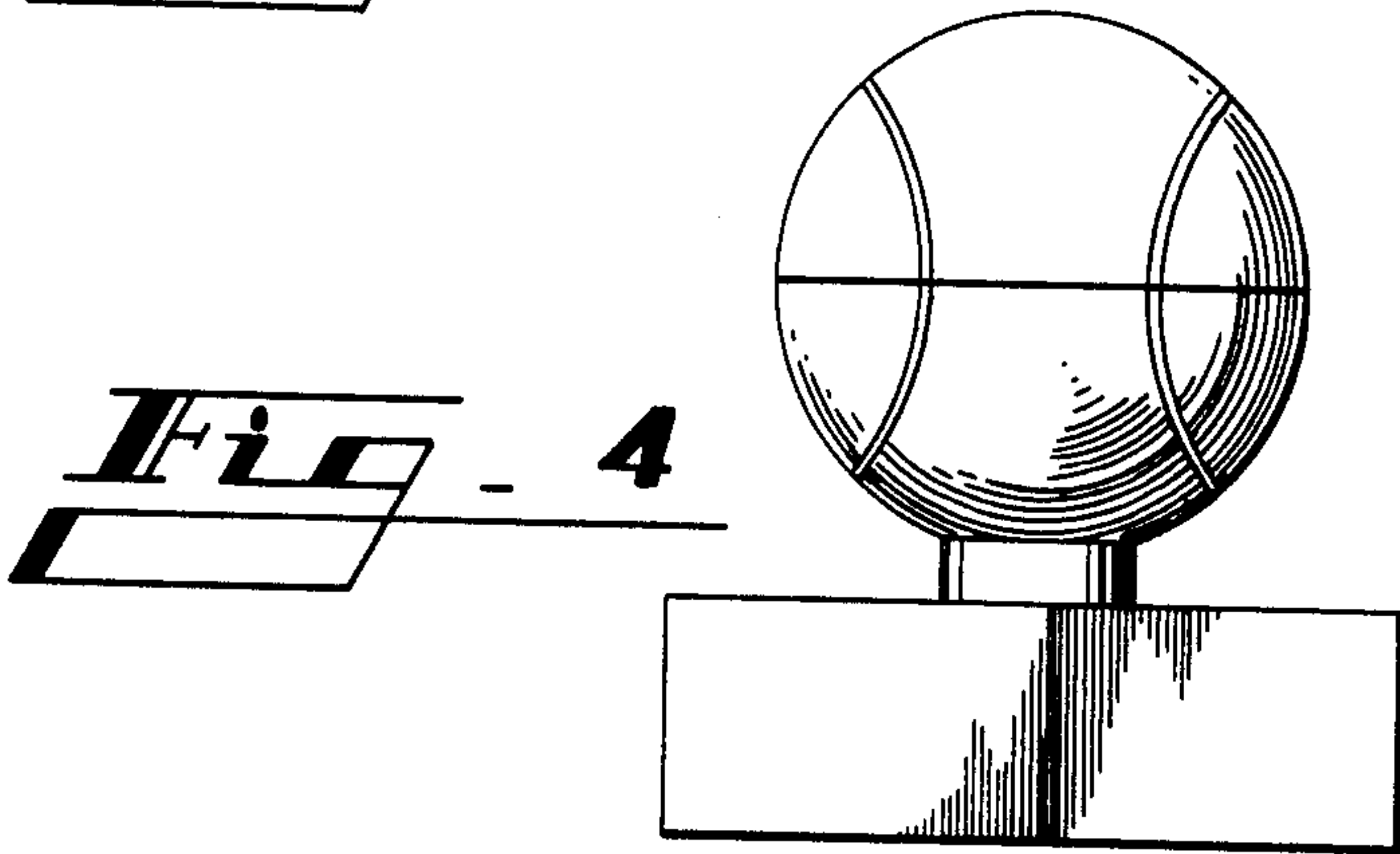
*Fig. 1*



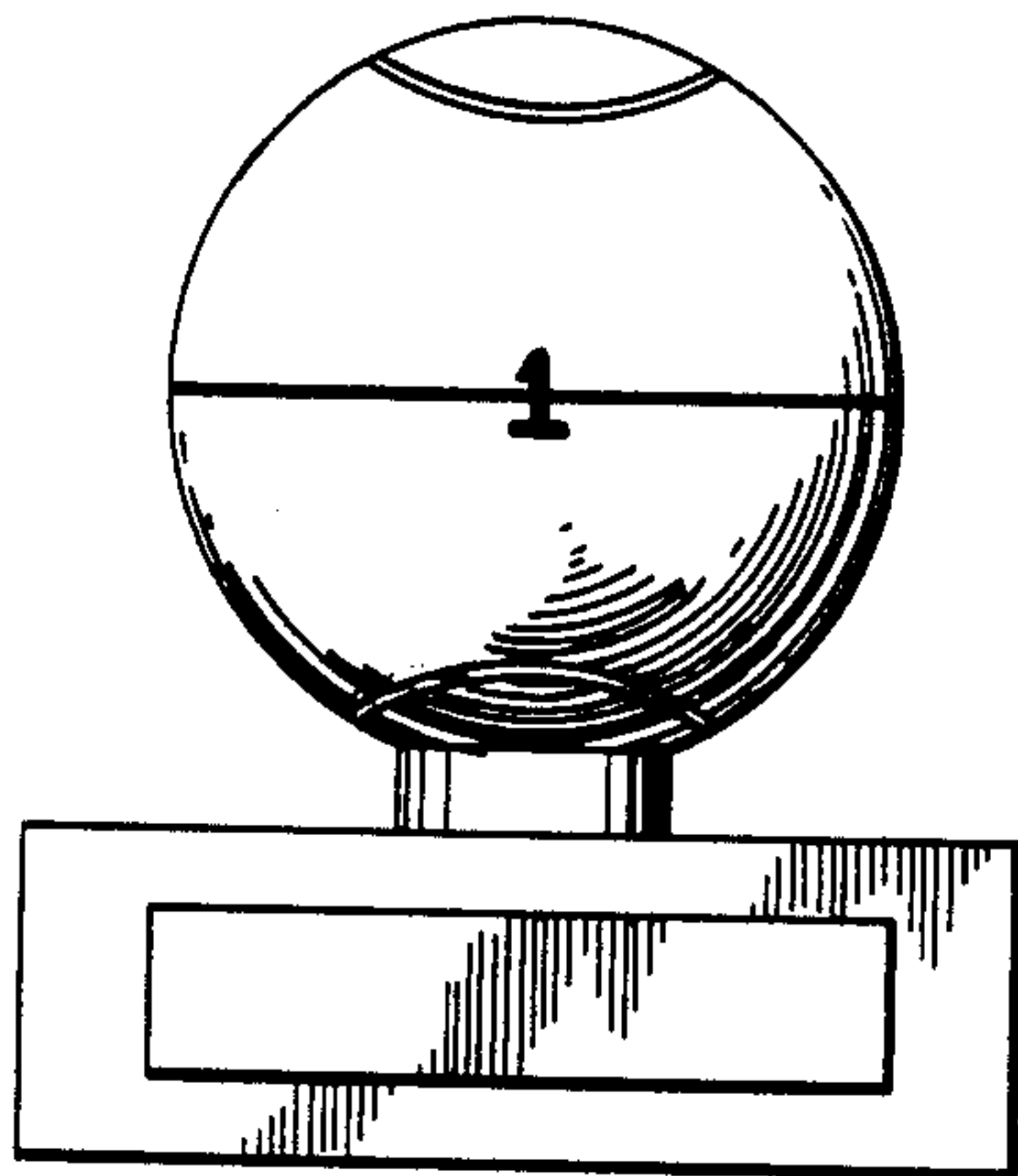
*Fig. 2*



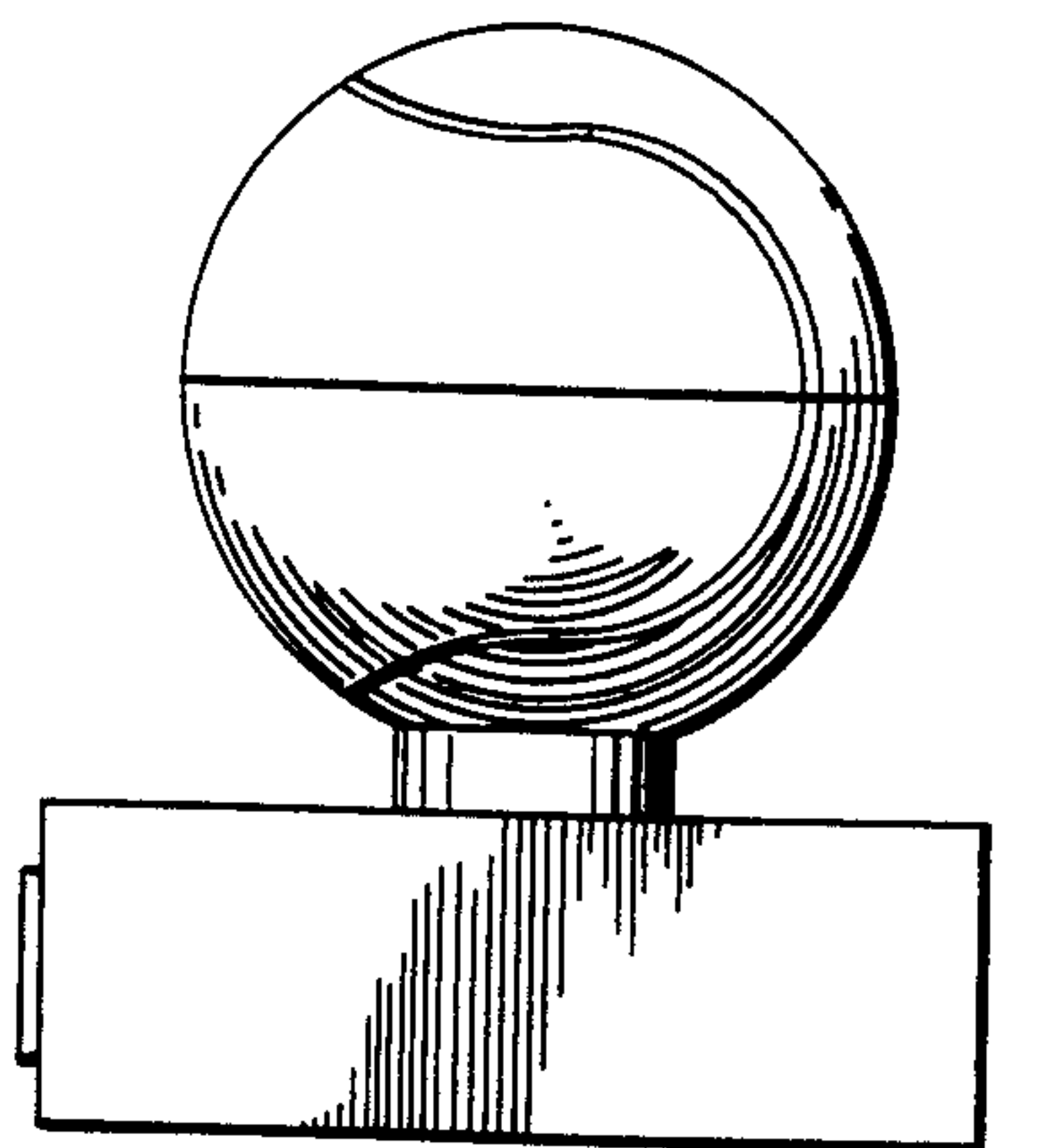
*Fig. 3*



*Fig. 4*



*Fig. 5*



*Fig. 6*