

[54] BIRD FEEDER

[76] Inventor: Earle G. Simmons, 25 Westchester Way, Warwick, R.I. 02886

[\*\*] Term: 14 Years

[21] Appl. No.: 862,294

[22] Filed: Dec. 19, 1977

[51] Int. Cl. .... D30-03

[52] U.S. Cl. .... D30/15

[58] Field of Search .... D30/13-99; 119/51 R, 52 R, 61, 63

[56] References Cited

U.S. PATENT DOCUMENTS

- D. 186,605 11/1959 Malloy, Sr. .... D30/15
- D. 187,135 2/1960 McDonald .... D30/15

- D. 194,109 11/1962 Dilley ..... D30/14
- D. 234,703 4/1975 Fry ..... D30/13
- 2,349,868 5/1944 Hyde ..... 119/51 R
- 2,707,454 5/1955 Wilkinson ..... D30/14 X
- 2,944,516 7/1960 Malloy, Sr. .... 119/52 R

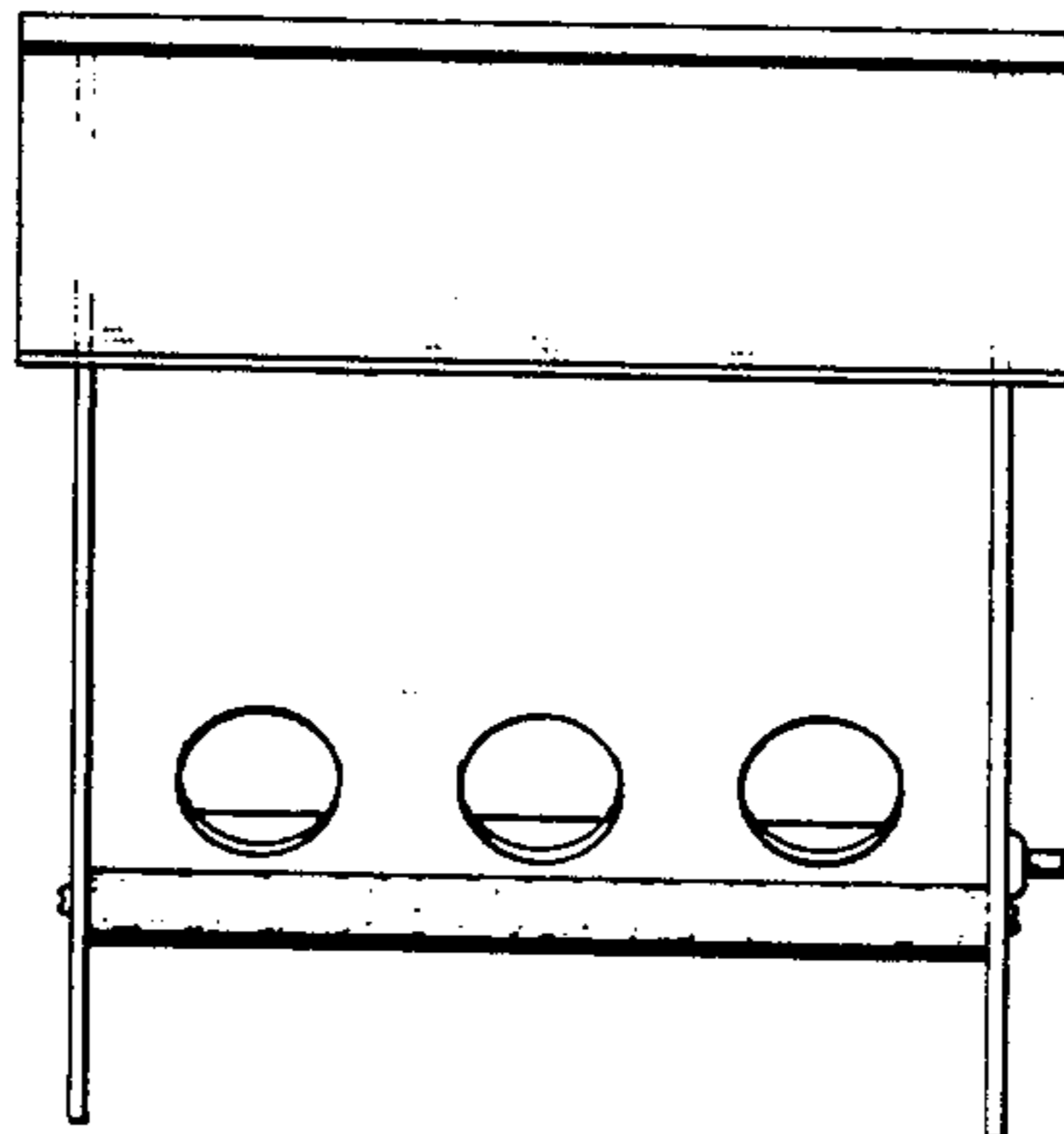
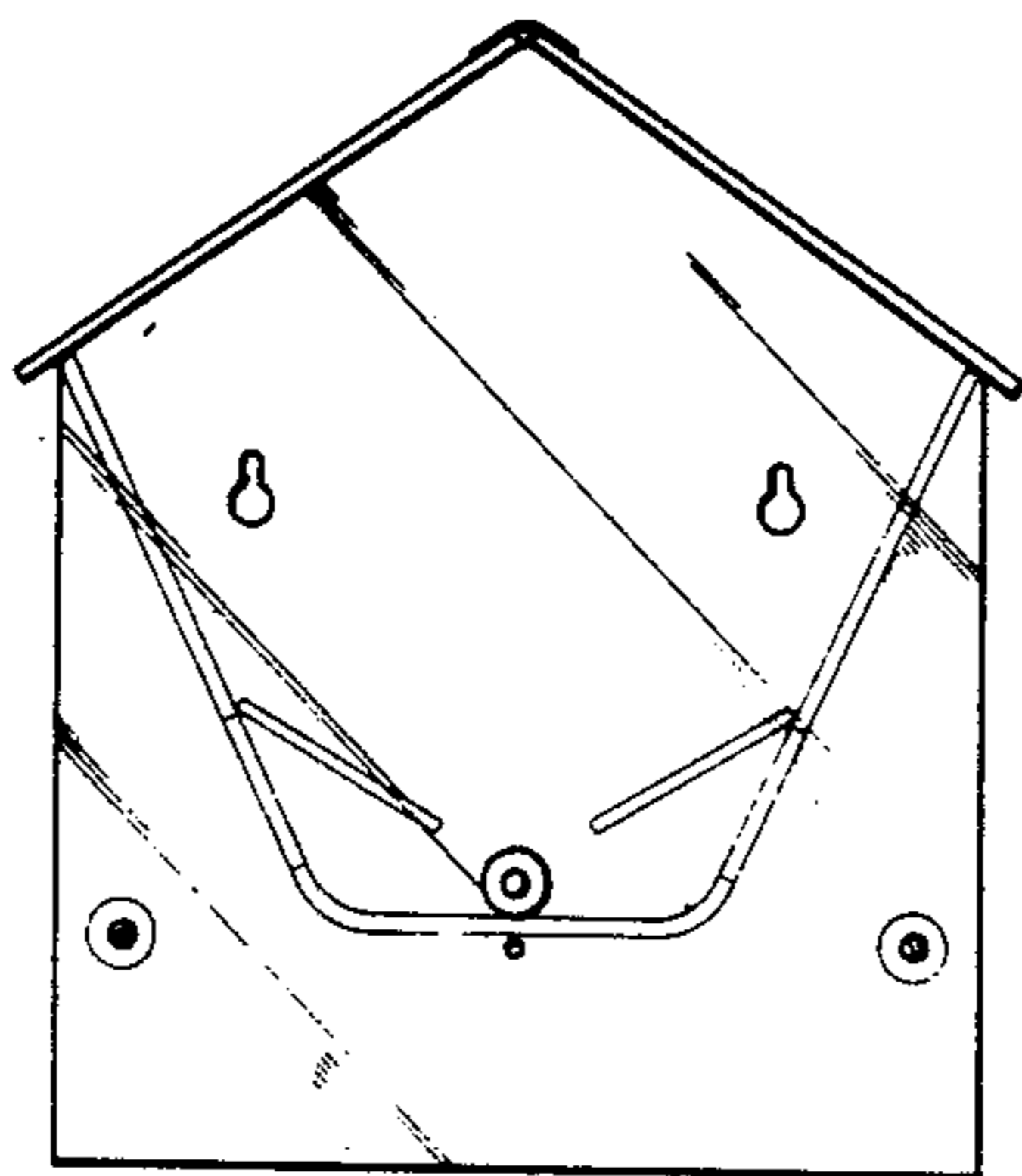
Primary Examiner—James R. Largen  
Attorney, Agent, or Firm—Elliot A. Salter

[57] CLAIM

The ornamental design for a bird feeder, substantially as shown.

DESCRIPTION

FIG. 1 is a front elevational view of a bird feeder showing my new design;  
FIG. 2 is a top plan view thereof;  
FIG. 3 is a side elevational view thereof;  
FIG. 4 is a bottom plan view thereof; and  
FIG. 5 is a rear elevational view thereof.



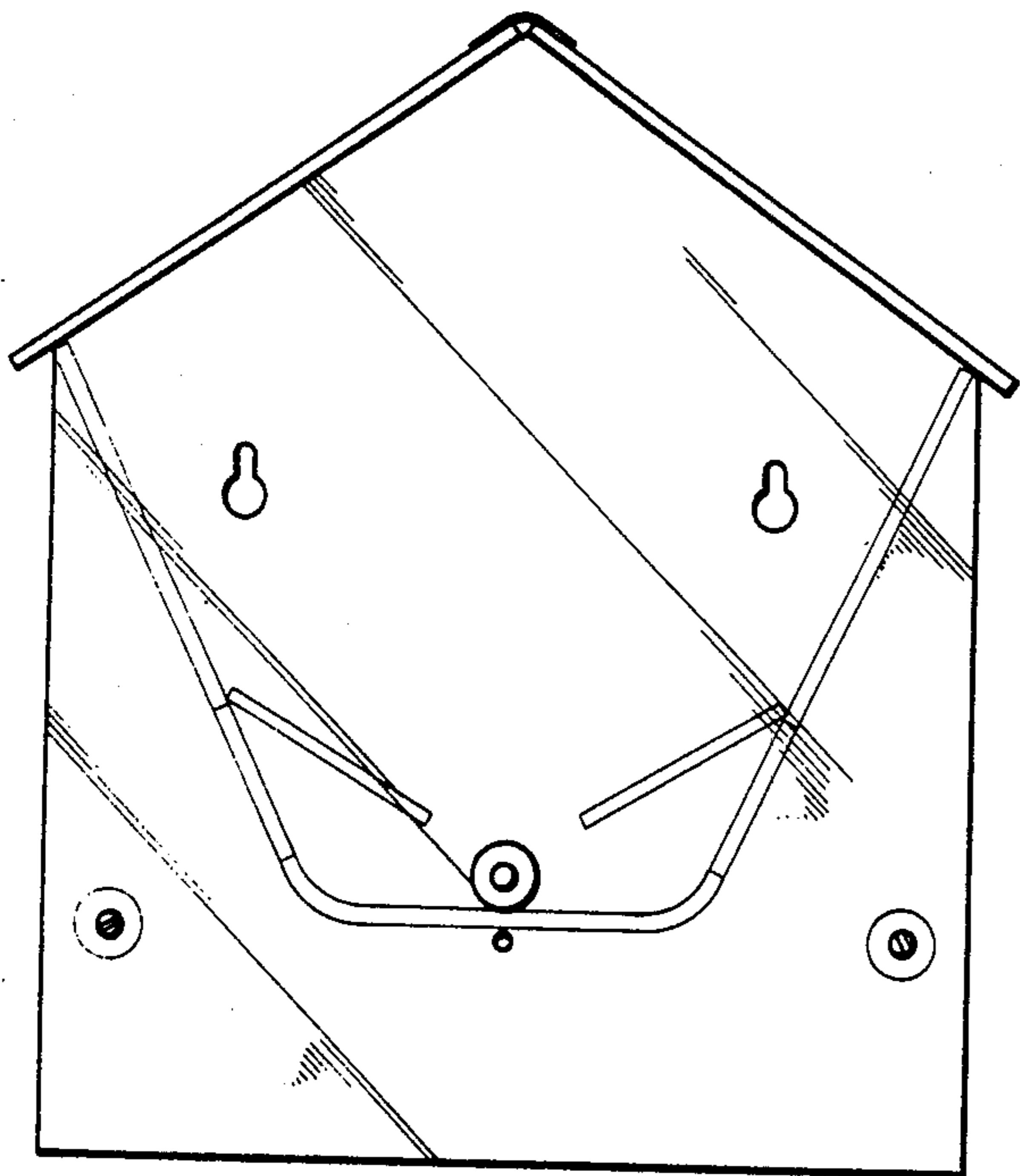


FIG. 1

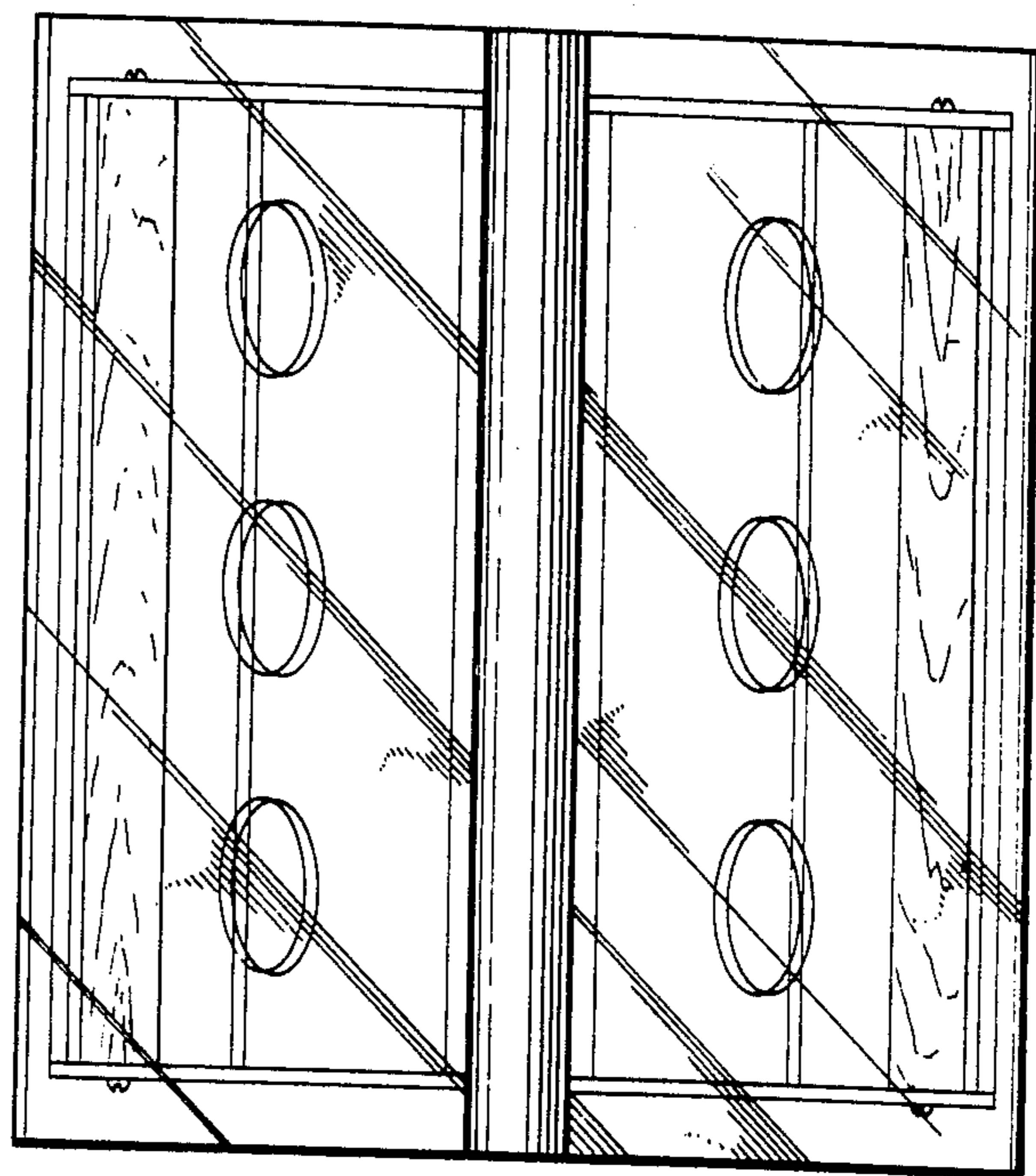


FIG. 2

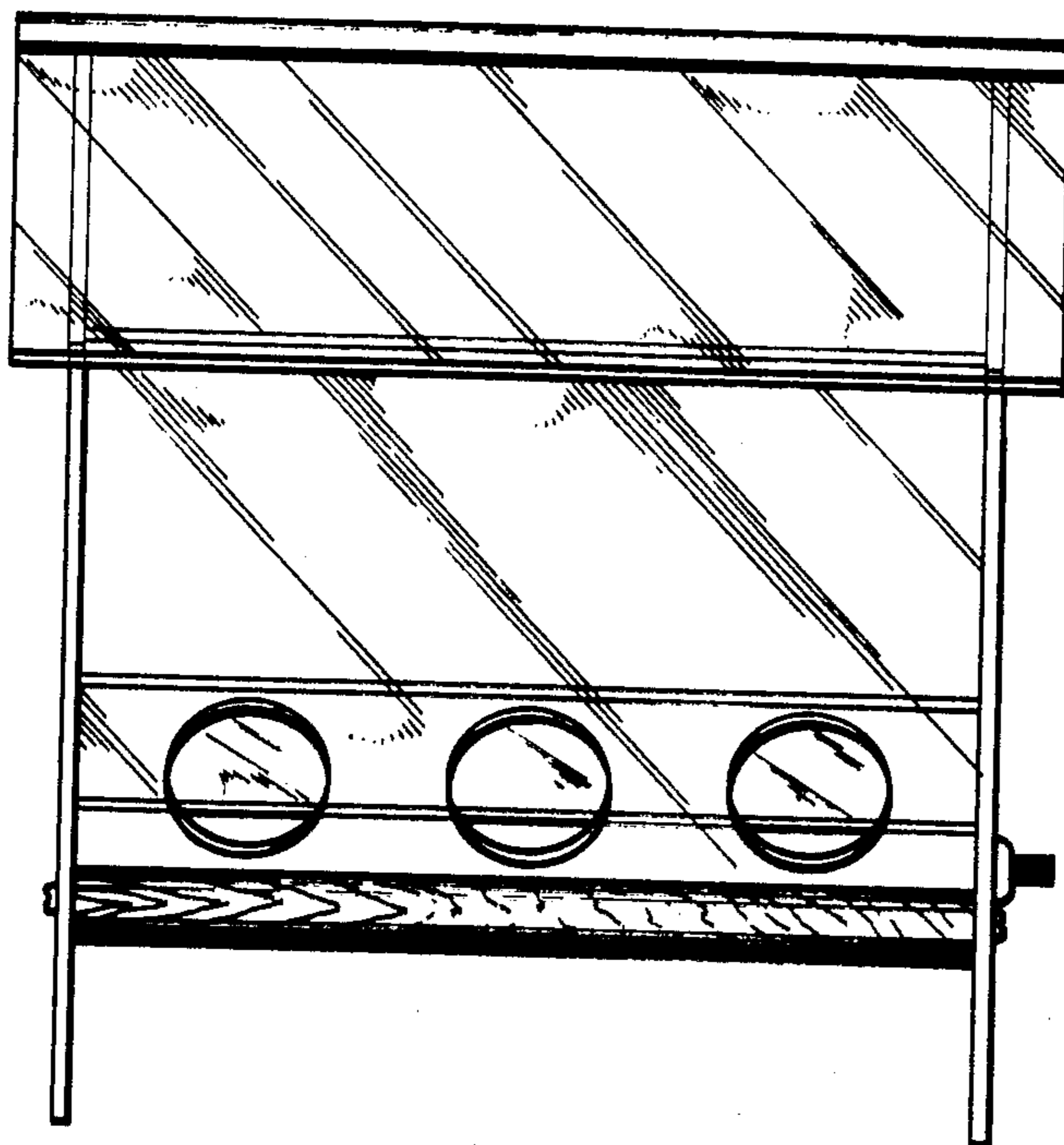


FIG. 3

FIG. 4

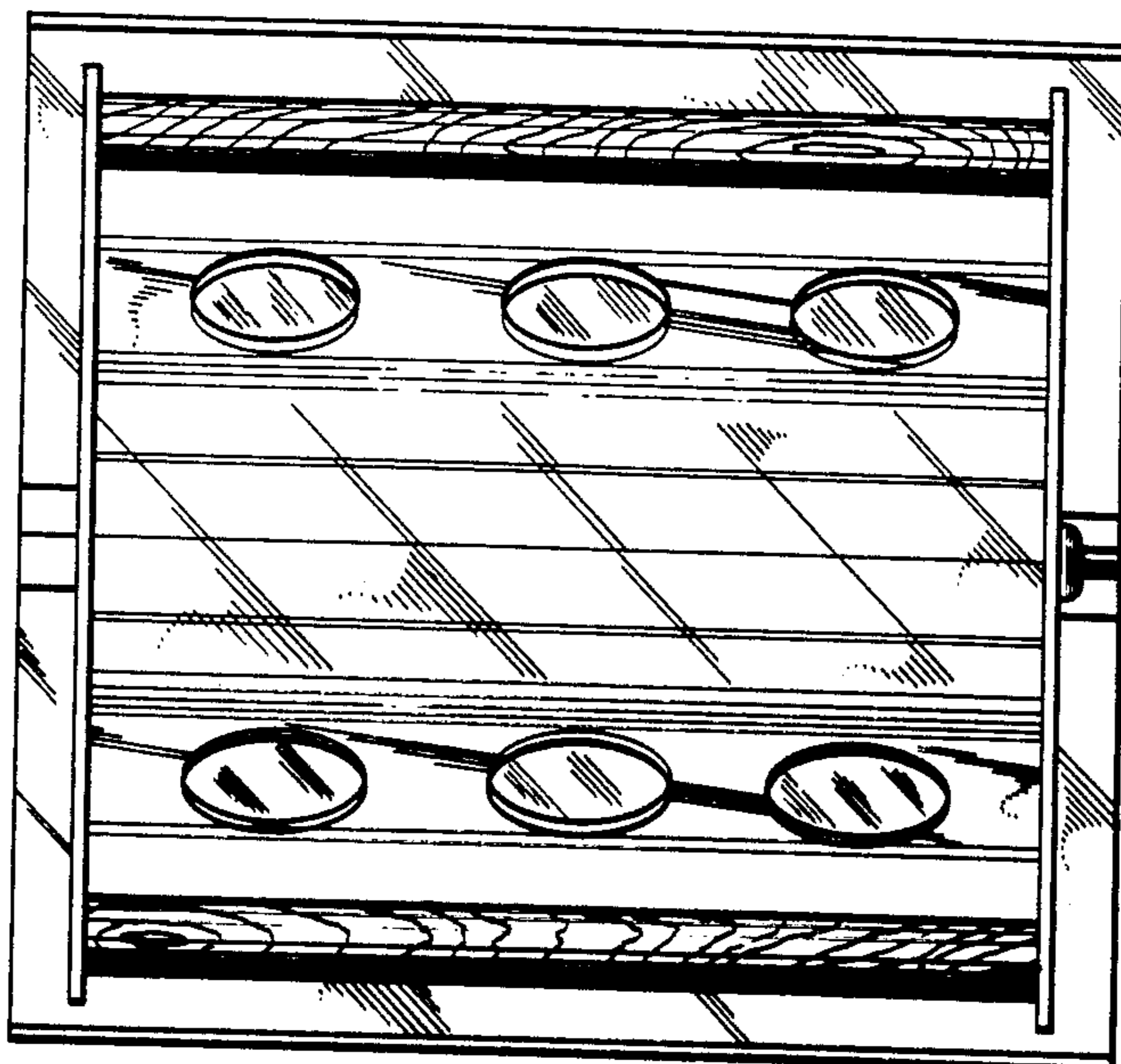


FIG. 5

