

[54] **PLAYGROUND RIDER**

[75] Inventor: **Ronald W. Zick, Minneapolis, Minn.**

[73] Assignee: **Game Time, Inc., Litchfield, Mich.**

[\*\*] Term: **14 Years**

[21] Appl. No.: **708,109**

[22] Filed: **Jul. 23, 1976**

[51] Int. Cl. .... **D21-03**

[52] U.S. Cl. .... **D34/5 C; D34/5 G**

[58] Field of Search ..... **D34/5 C, 5 G, 5 D;  
272/33, 54**

[56] **References Cited**

**U.S. PATENT DOCUMENTS**

D. 239,956	5/1976	Zick .....	D34/5 D
2,978,243	4/1961	Gabrielson .....	D34/5 G
3,675,919	7/1972	Ewers .....	272/54

*Primary Examiner*—Melvin B. Feifer  
*Attorney, Agent, or Firm*—Vernon A. Johnson

[57] **CLAIM**

The ornamental design for a playground rider, as shown and described.

**DESCRIPTION**

FIG. 1 is a perspective view of a playground rider embodying my new design;

FIG. 2 is a top plan view thereof;

FIG. 3 is a side elevational view thereof, the opposite side being identical; and

FIG. 4 is an end elevational view thereof on a larger scale, the opposite end view being identical.

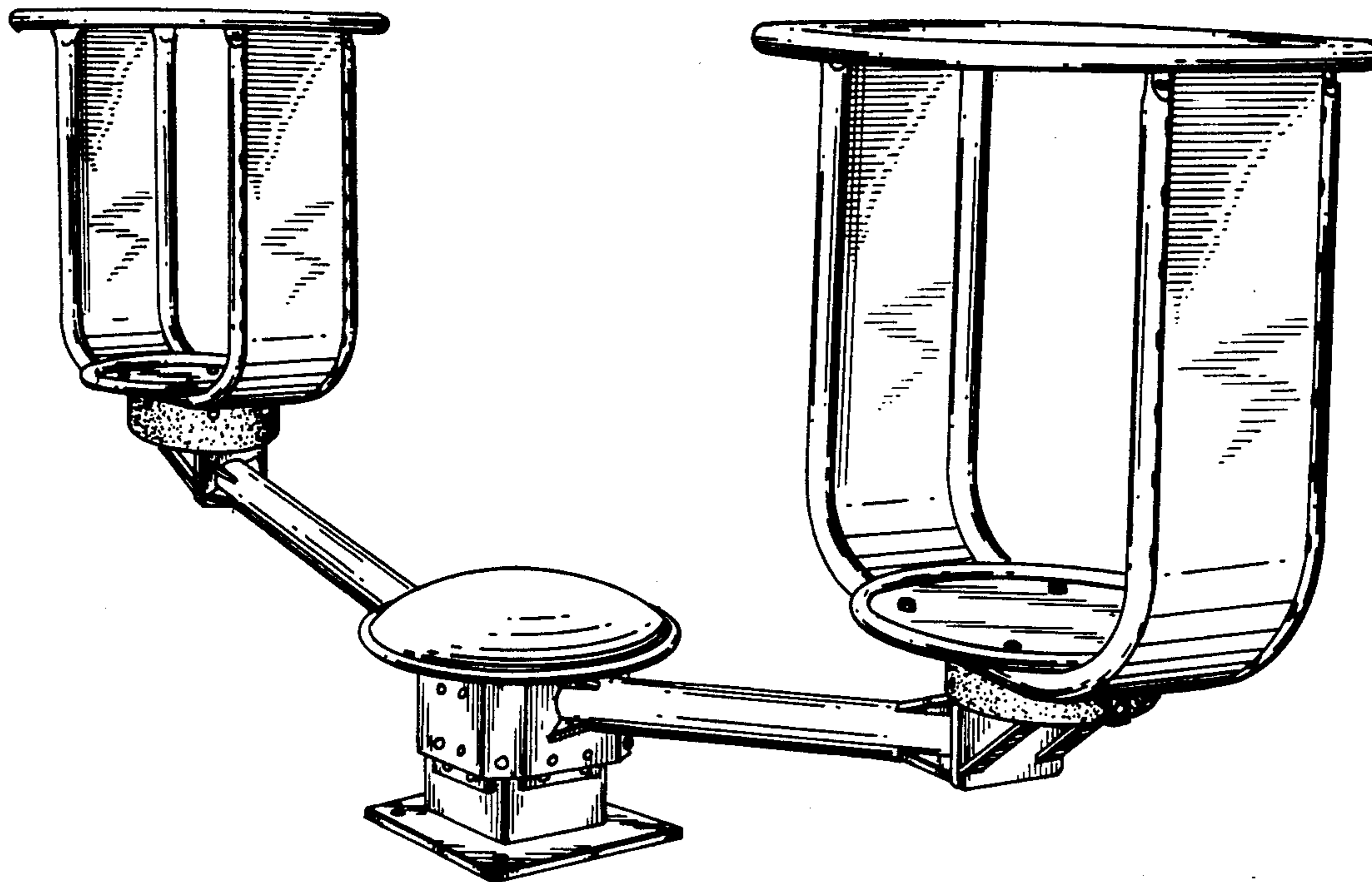


FIG. 1

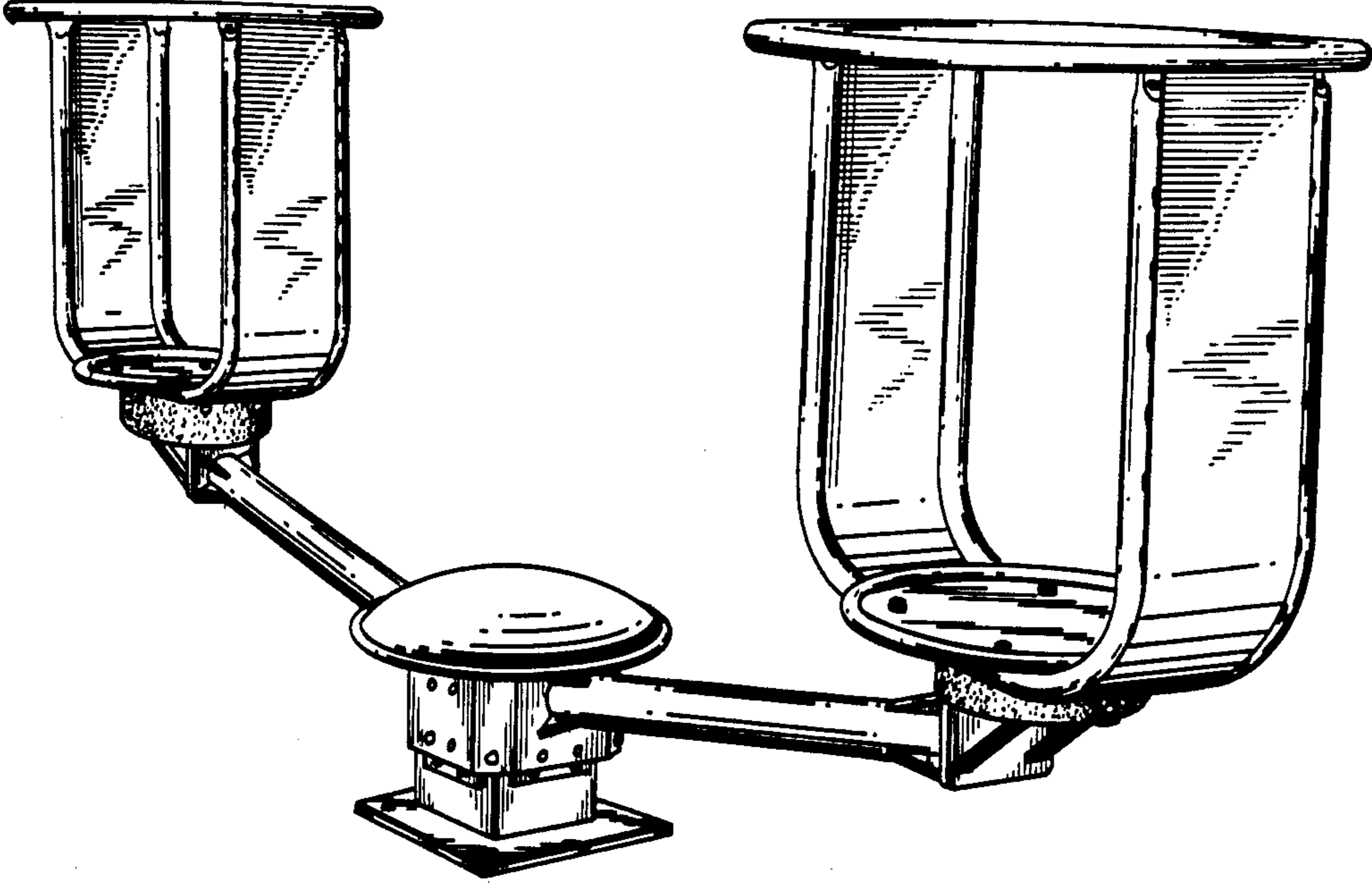


FIG. 2

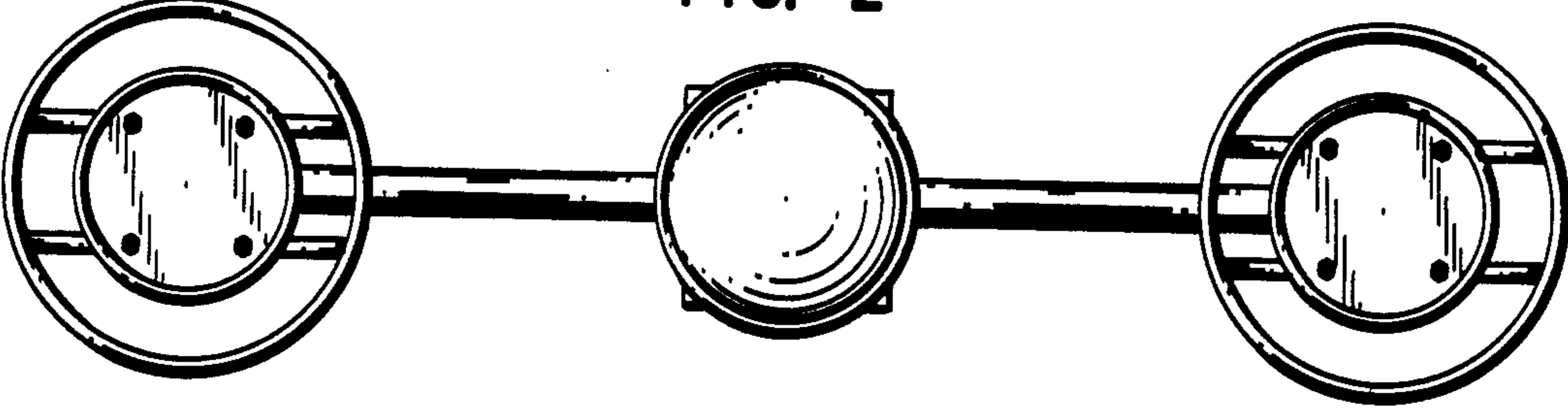


FIG. 3

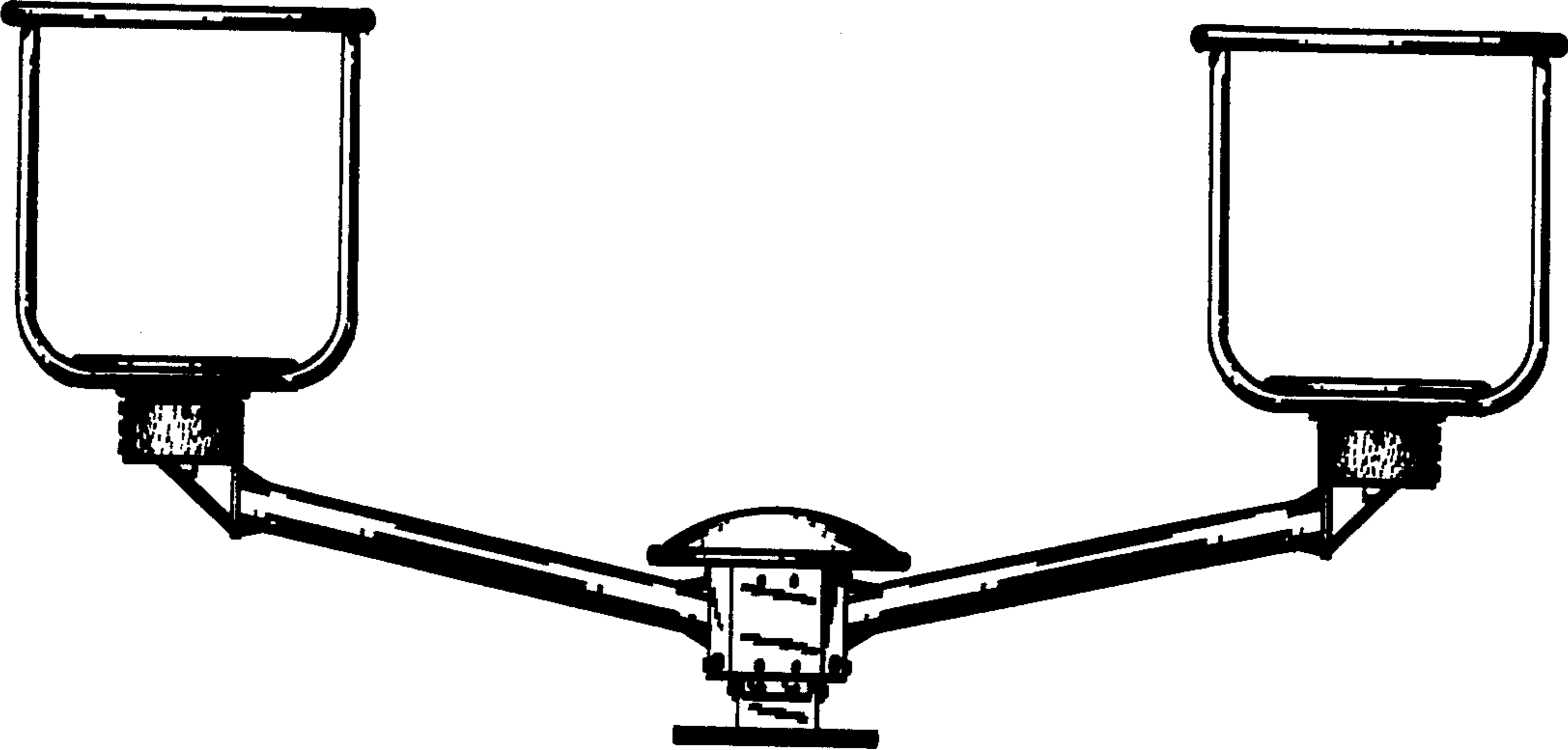


FIG. 4

