

[54] DRAINABLE BLADE LOUVER HEAD

[75] Inventors: Joshua R. Dowdell, Jr., 4033 Colgate, Dallas, Tex. 75225; Paul H. Sanderson, P.O. Box 562, Dallas, Tex. 75065

[73] Assignee: Dowco Corporation, Dallas, Tex.

[**] Term: 14 Years

[21] Appl. No.: 722,620

[22] Filed: Sep. 13, 1976

[51] Int. Cl. D23-04

[52] U.S. Cl. D23/112; D25/74

[58] Field of Search 52/473; D23/112, 153, D23/163, 165; 98/121 R, 121 A, 42, 43; D25/73, 74, 75, 76

[56]

References Cited

U.S. PATENT DOCUMENTS

D. 221,656	8/1971	Dowdell, Jr. et al.	D23/112
D. 221,854	9/1971	Dowdell, Jr. et al.	D23/153
D. 223,577	5/1972	Dowdell, Jr. et al.	D23/112
3,782,050	1/1974	Dowdell et al.	52/473

Primary Examiner—A. Hugo Word

Attorney, Agent, or Firm—D. Carl Richards

[57]

CLAIM

The ornamental design for a drainable blade louver head, as shown and described.

DESCRIPTION

FIG. 1 is a perspective view of the present drainable blade louver head illustrating the design of the present invention;

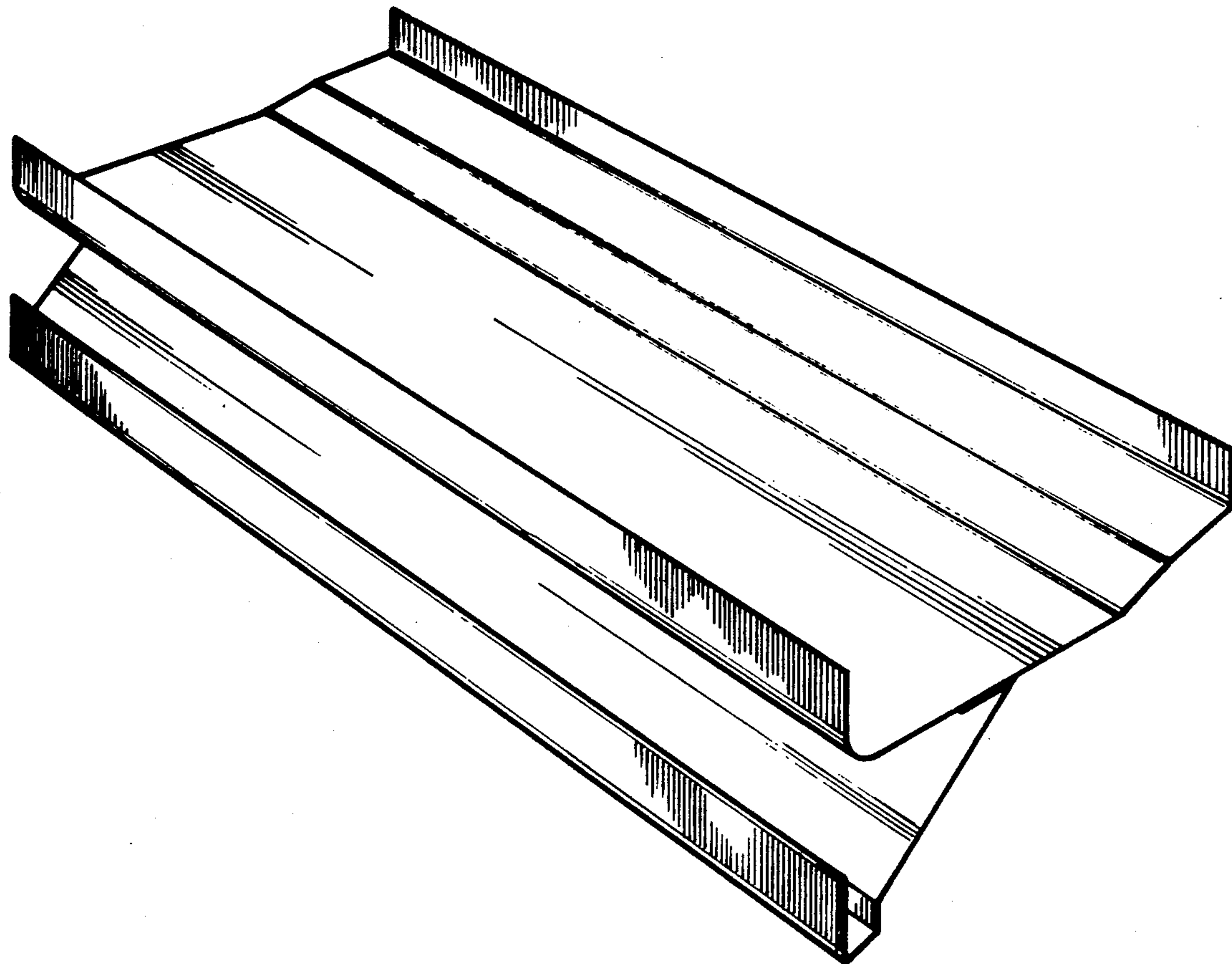
FIG. 2 is a side view of FIG. 1;

FIG. 3 is a top view of FIG. 1;

FIG. 4 is a bottom view of FIG. 1;

FIG. 5 is a front elevational view of FIG. 1; and

FIG. 6 is a rear elevational view of FIG. 1.



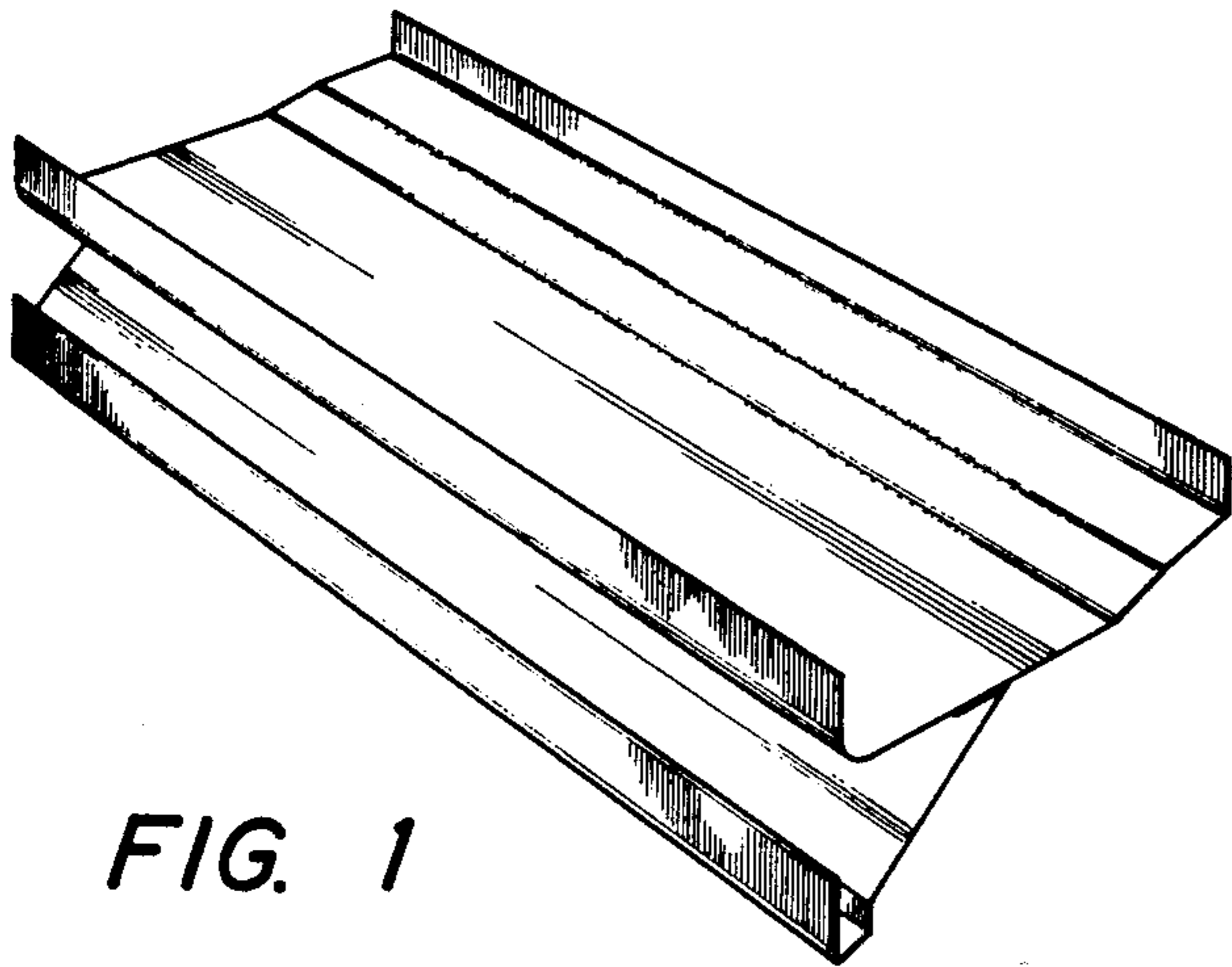


FIG. 1

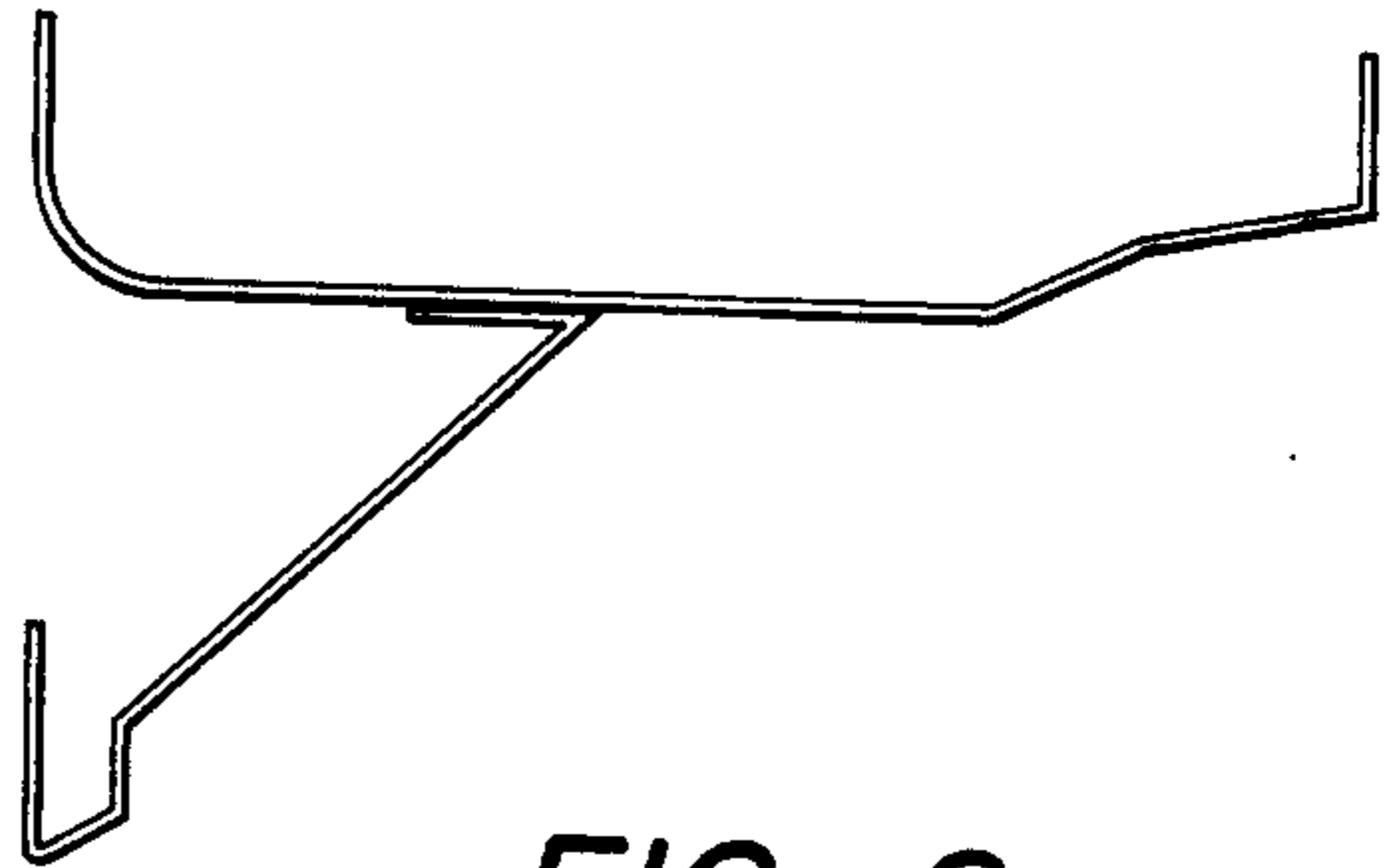


FIG. 2

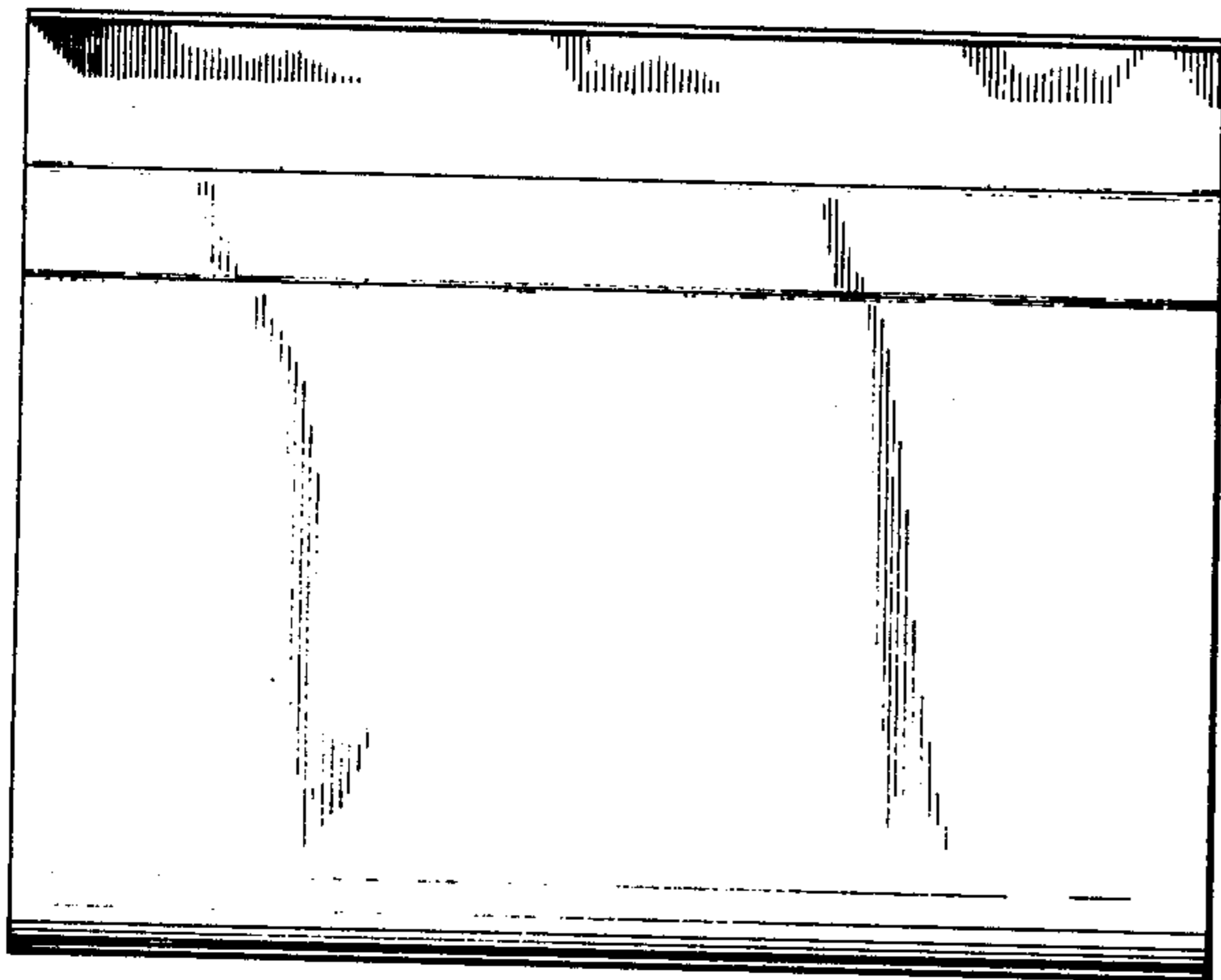


FIG. 3

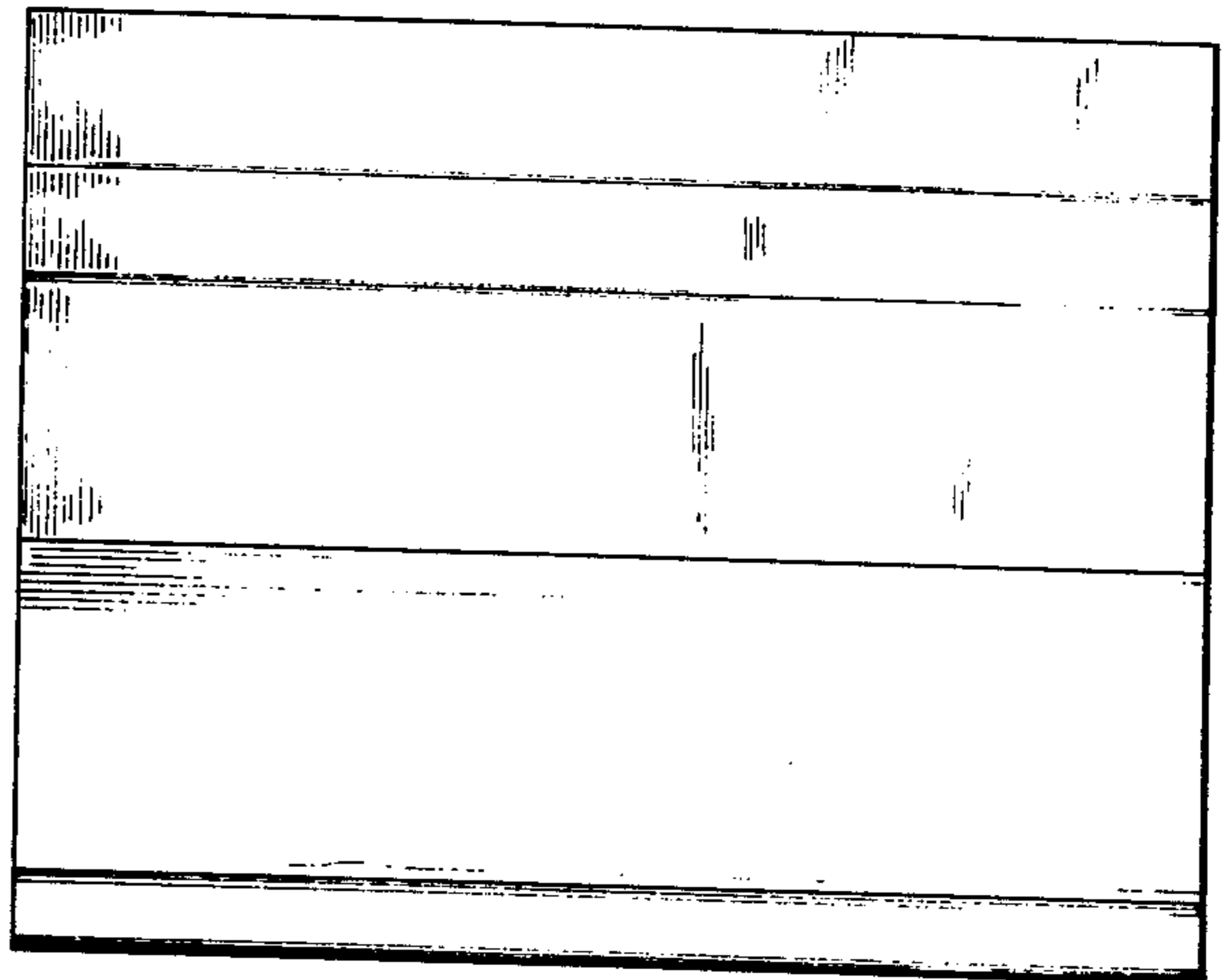


FIG. 4

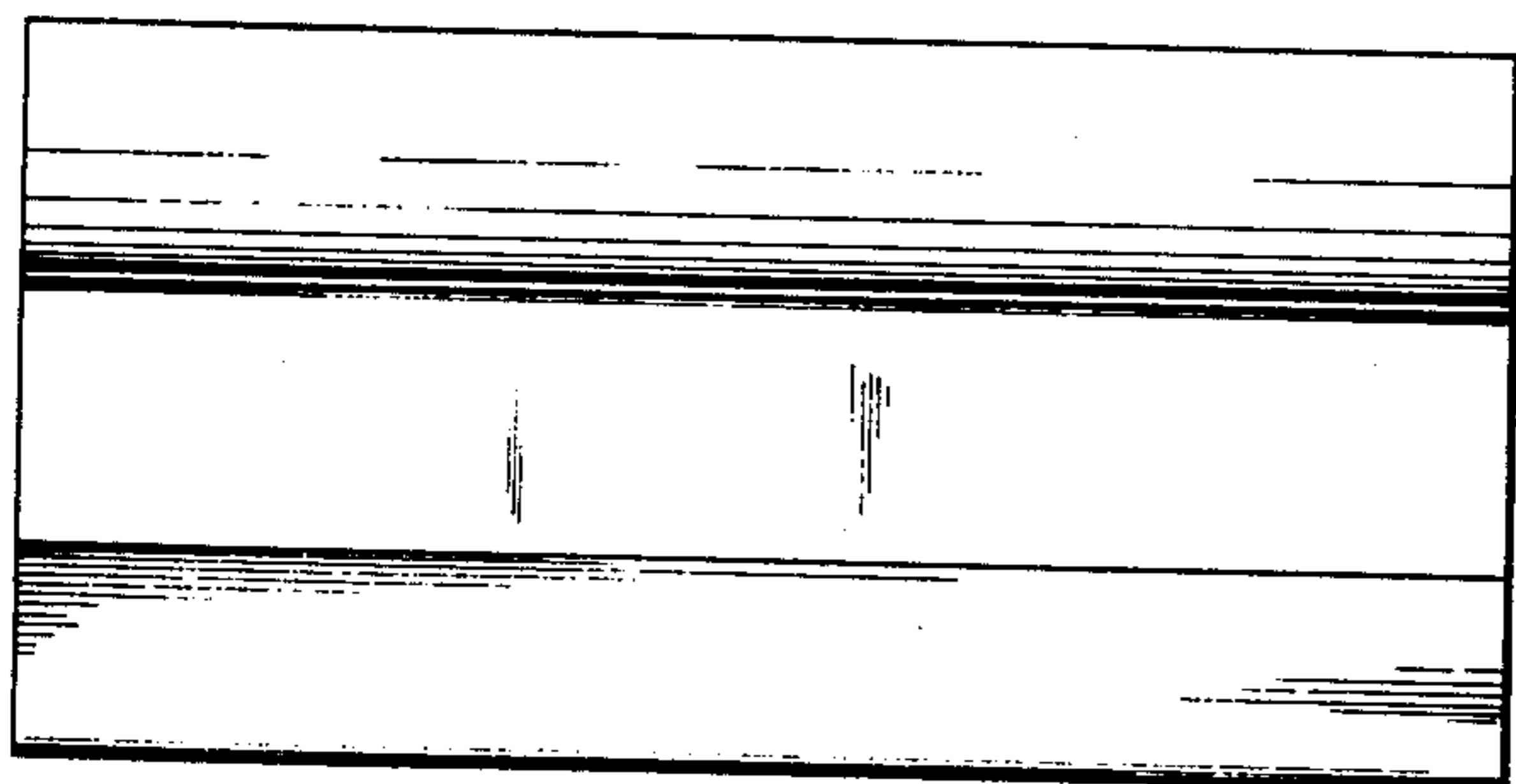


FIG. 5

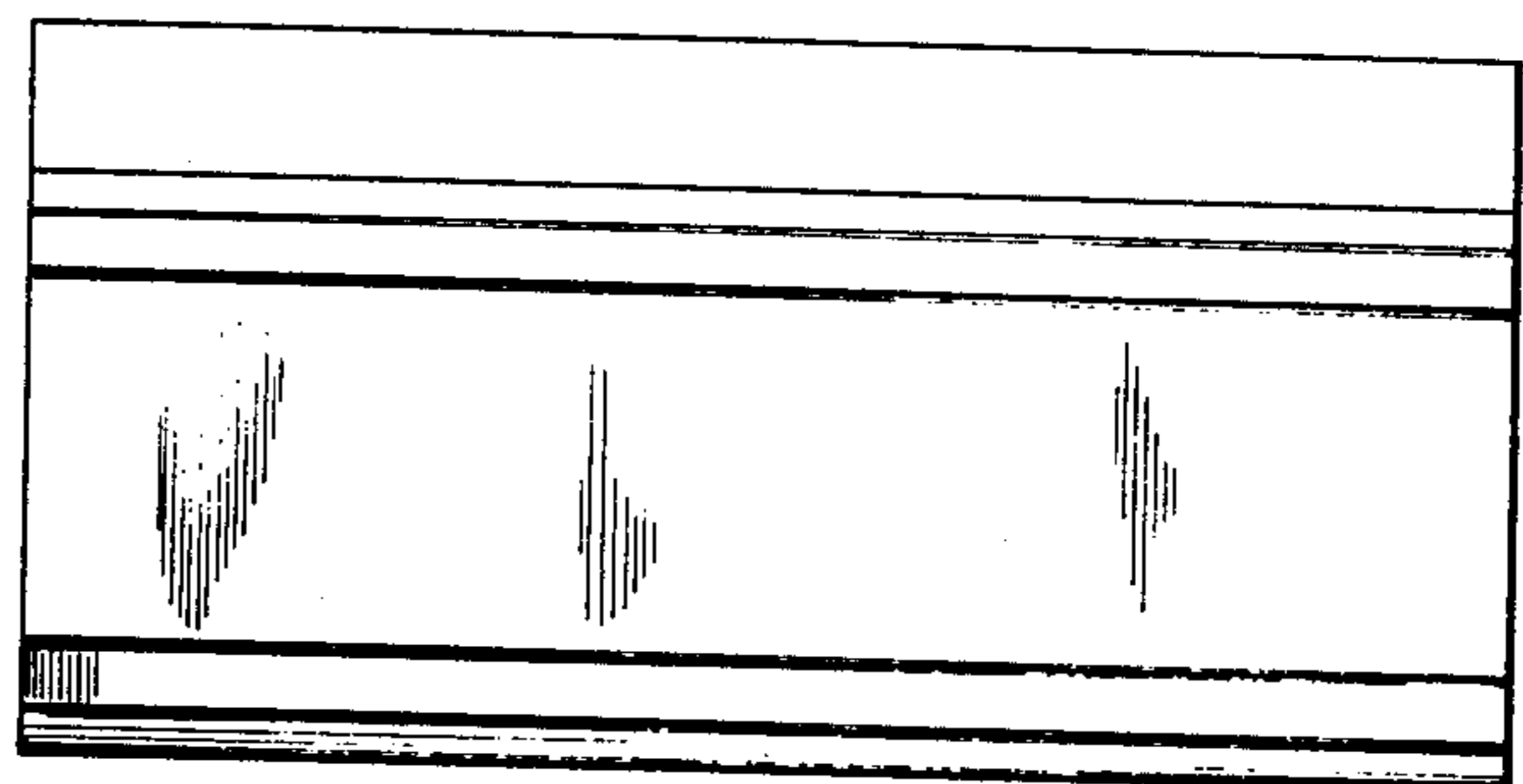


FIG. 6