

United States Patent [19]

Ratnik

[11] **Des. 249,060**

[45] ** Aug. 22, 1978

[54] **HYDRANT HANDLE**

[76] **Inventor:** H. Ronald Ratnik, 222 Weymouth Dr., Rochester, N.Y. 14625

[**] **Term:** 14 Years

[21] **Appl. No.:** 800,292

[22] **Filed:** May 25, 1977

[51] **Int. Cl.** D23-01

[52] **U.S. Cl.** D23/28

[58] **Field of Search** D23/19-40;
D8/300-314; 16/310 R, 311 R, 317, 318, 321,
DIG. 19, DIG. 30

[56] **References Cited**

U.S. PATENT DOCUMENTS

D. 51,961 4/1918 Healey D8/307

D. 242,619 12/1976 Bake D23/28

Primary Examiner—James R. Largen
Attorney, Agent, or Firm—Warren W. Kurz

[57] CLAIM

The ornamental design for a hydrant handle, as shown and described.

DESCRIPTION

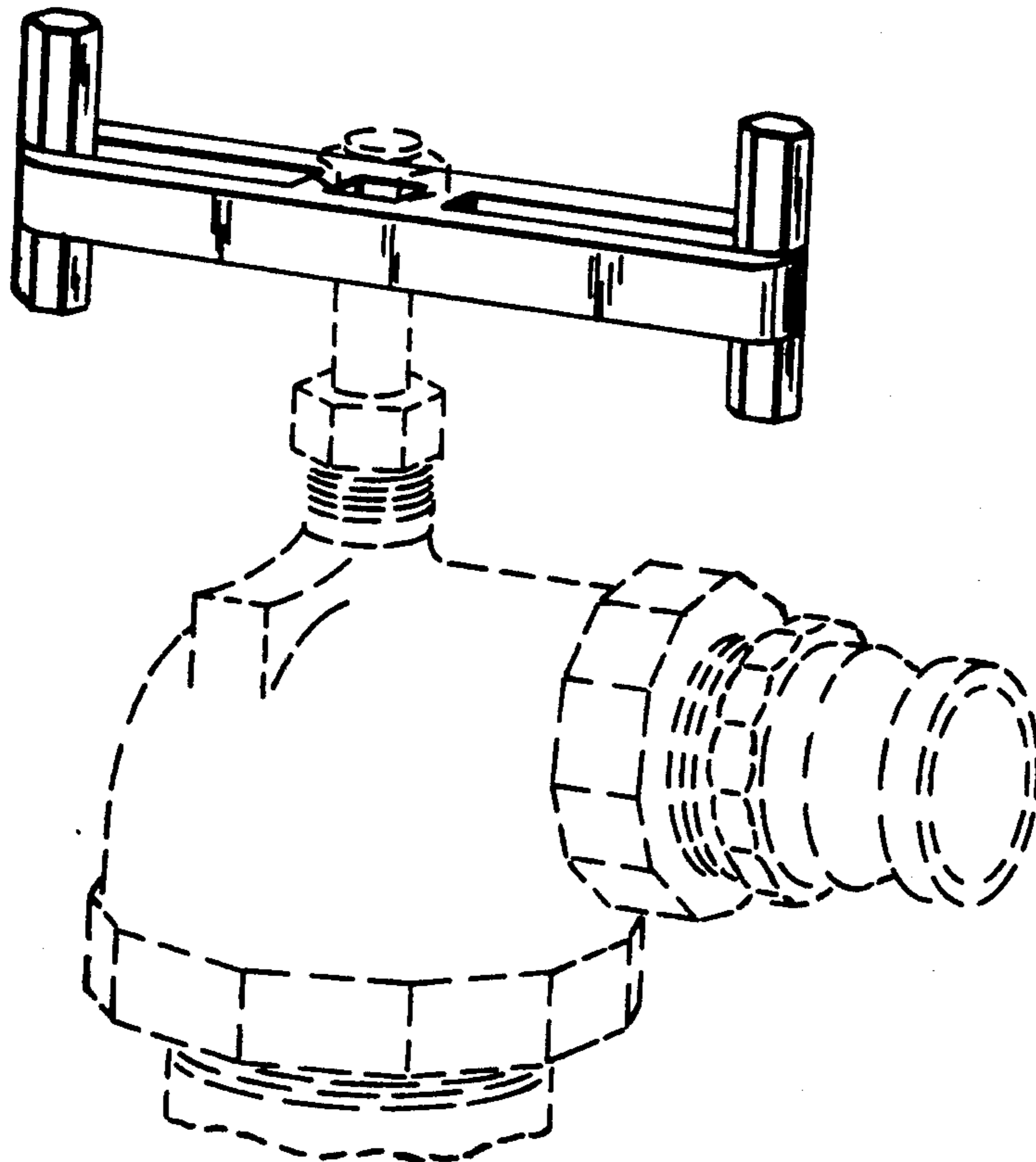
FIG. 1 is a perspective view of a hydrant handle showing my new design;

FIG. 2 is a side elevational view thereof, the opposite side being the same as the side shown;

FIG. 3 is a top plan view thereof, the bottom being the same as the top shown; and

FIG. 4 is an end elevational view thereof, the opposite end being the same as the end shown.

The broken line representation of a hydrant in FIG. 1 is for purposes of illustration only.



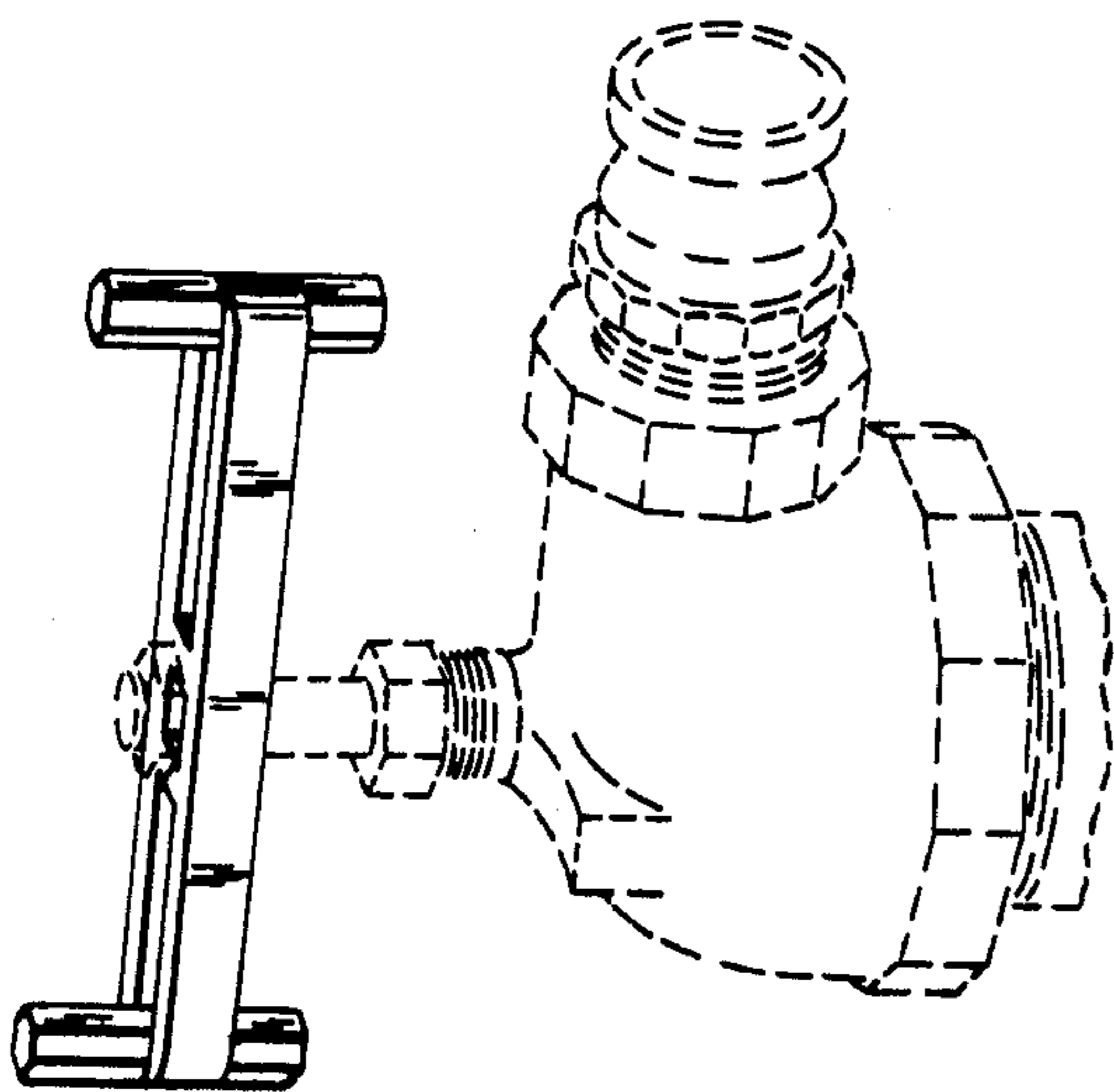


Fig. 1

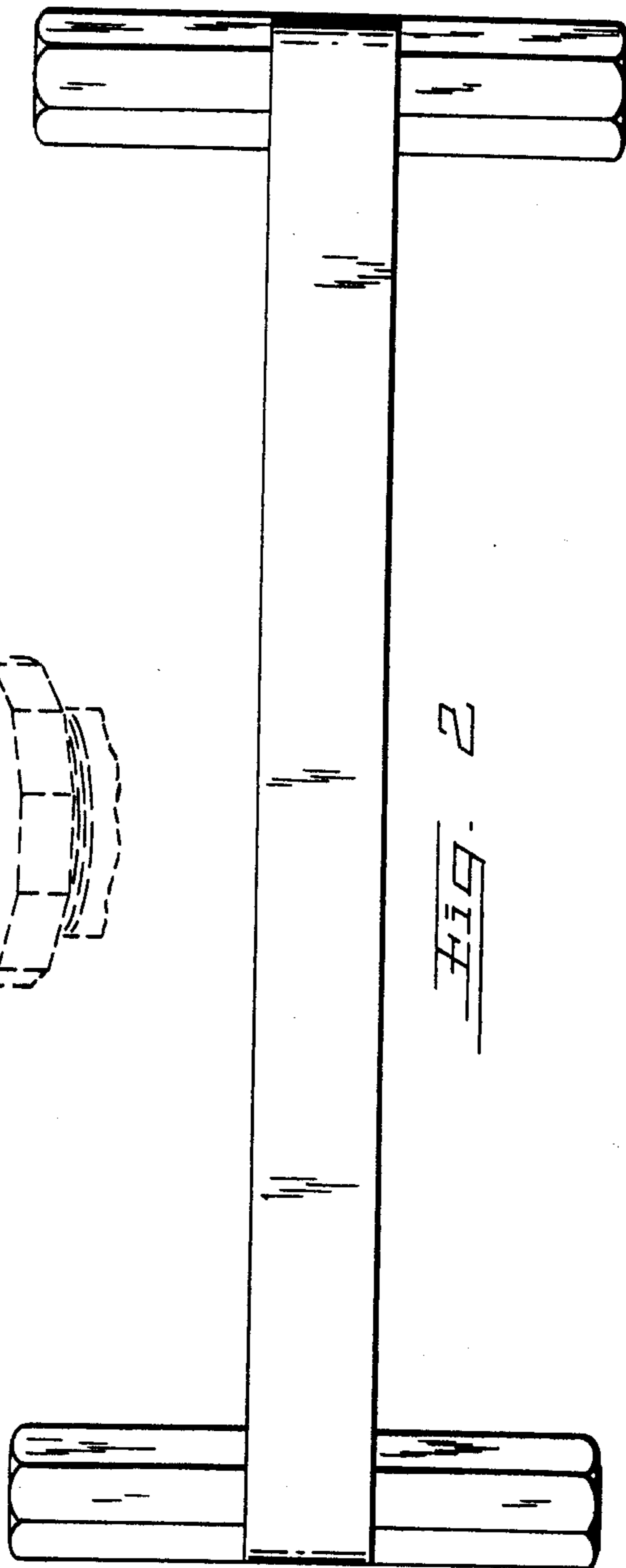


Fig. 2

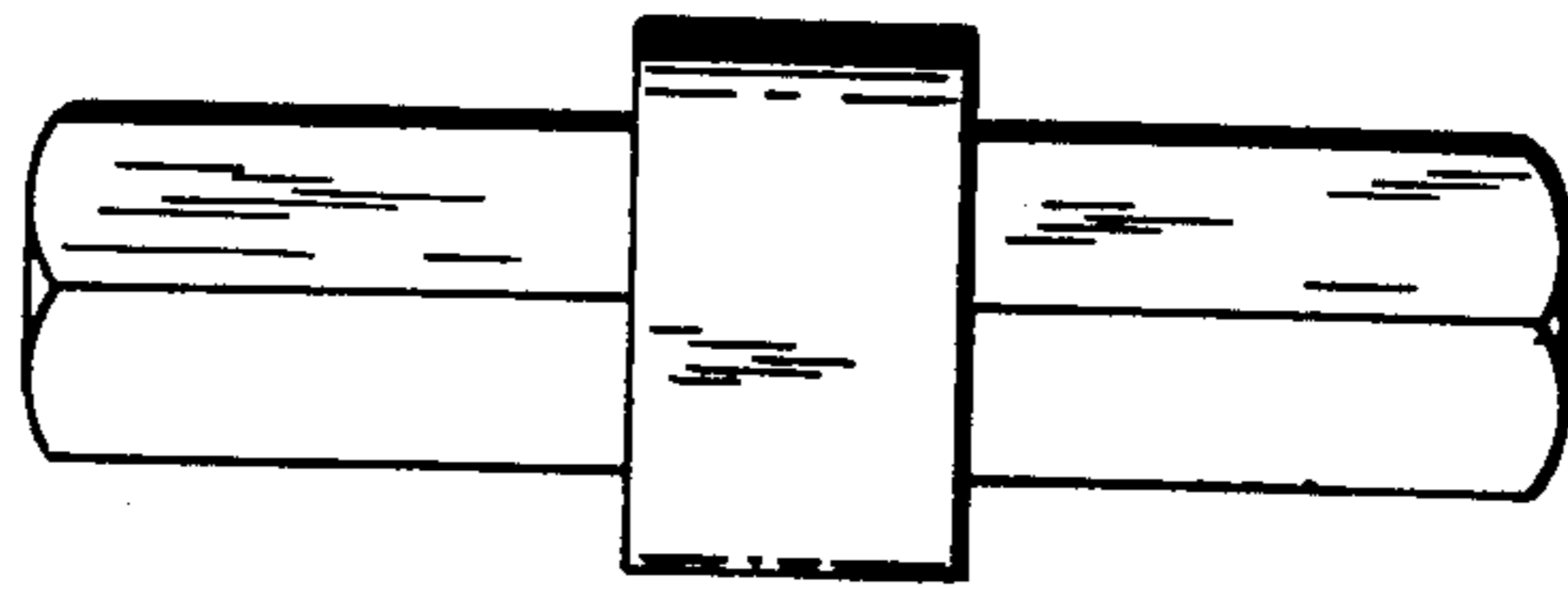


Fig. 4

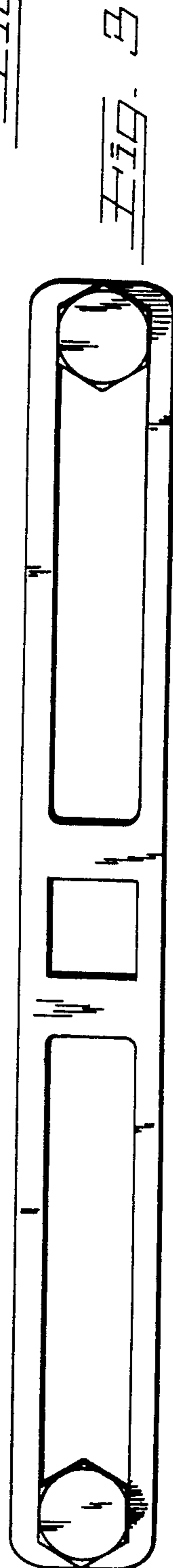


Fig. 3